



US00D456047S

(12) **United States Design Patent**  
**Mandic**

(10) **Patent No.:** **US D456,047 S**

(45) **Date of Patent:** **\*\* Apr. 23, 2002**

(54) **RECREATIONAL BOARD VEHICLE**

(75) **Inventor:** **Les Mandic**, 4920 Mira Sol Dr., Moorpark, CA (US) 93021

(73) **Assignee:** **Les Mandic**, Moorpark, CA (US)

(\*\*) **Term:** **14 Years**

(21) **Appl. No.:** **29/121,414**

(22) **Filed:** **Apr. 6, 2000**

(51) **LOC (7) Cl.** ..... **21-01**

(52) **U.S. Cl.** ..... **D21/423; D21/765**

(58) **Field of Search** ..... D21/419, 421, D21/423, 424, 426, 435, 533, 760, 765, 771; D12/107, 110-112; 280/87.01, 87.02, 87.041, 87.042; 180/181, 216

- 4,054,296 A 10/1977 Sullins
- 4,061,351 A 12/1977 Bangle
- 4,093,252 A 6/1978 Rue
- 4,095,817 A 6/1978 Cohen
- D250,492 S \* 12/1978 Kish ..... D21/765
- 4,179,134 A 12/1979 Atkinson
- 4,707,884 A \* 11/1987 Chang
- 4,732,400 A \* 3/1988 Santini
- D298,448 S \* 11/1988 Seehaver ..... D21/765
- 4,795,181 A \* 1/1989 Armstrong
- 4,811,971 A \* 3/1989 Phillips ..... 280/87.041
- 4,886,297 A 12/1989 Levine
- 5,090,716 A 2/1992 Borden
- 5,154,436 A \* 10/1992 Jez et al. .... 280/87.042

\* cited by examiner

*Primary Examiner*—Raphael Barkai  
(74) *Attorney, Agent, or Firm*—Fulwider Patton Lee & Utecht, LLP

(56) **References Cited**

**U.S. PATENT DOCUMENTS**

- 1,056,357 A 3/1913 Murdock
- 1,150,773 A 8/1915 La Chall
- 1,213,454 A 1/1917 Brown
- 1,244,169 A 10/1917 Brigel
- 1,387,675 A 8/1921 Worobow
- 1,530,165 A 3/1925 Fowler
- 2,330,147 A 9/1943 Rodriguez
- 3,288,251 A 11/1966 Sakwa
- D218,628 S \* 9/1970 Gonzalez ..... D21/423
- 3,751,062 A 8/1973 White, Sr.
- 3,945,655 A 3/1976 Banks et al.
- 4,040,639 A 8/1977 Scardenzan

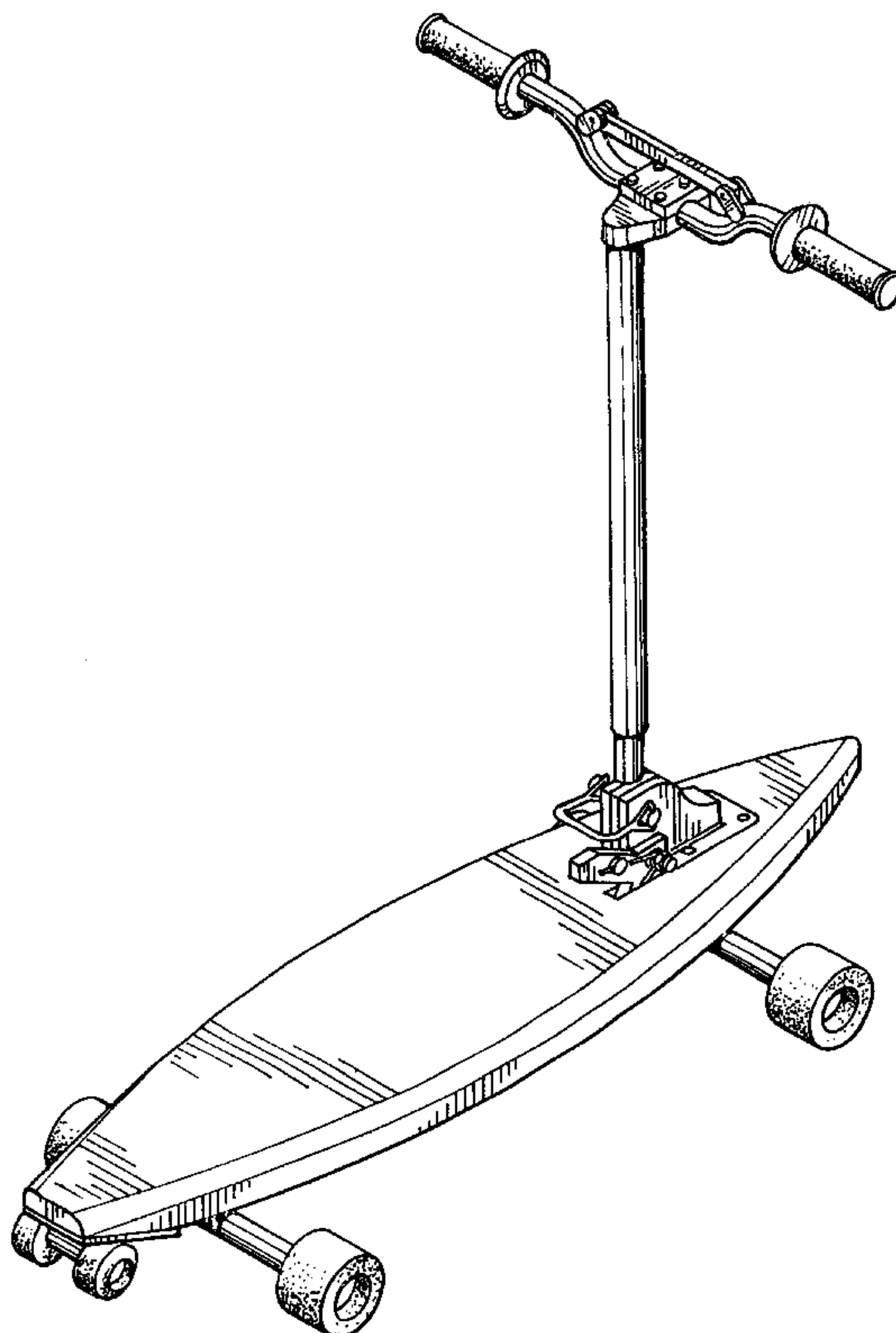
(57) **CLAIM**

The ornamental design for a recreational board vehicle, substantially as shown and described.

**DESCRIPTION**

FIG. 1 is perspective view of a recreational board vehicle showing my new design;  
FIG. 2 is a side elevational view thereof;  
FIG. 3 is a top plan view thereof;  
FIG. 4 is a front elevational view thereof; and,  
FIG. 5 is a rear elevational view thereof.

**1 Claim, 3 Drawing Sheets**



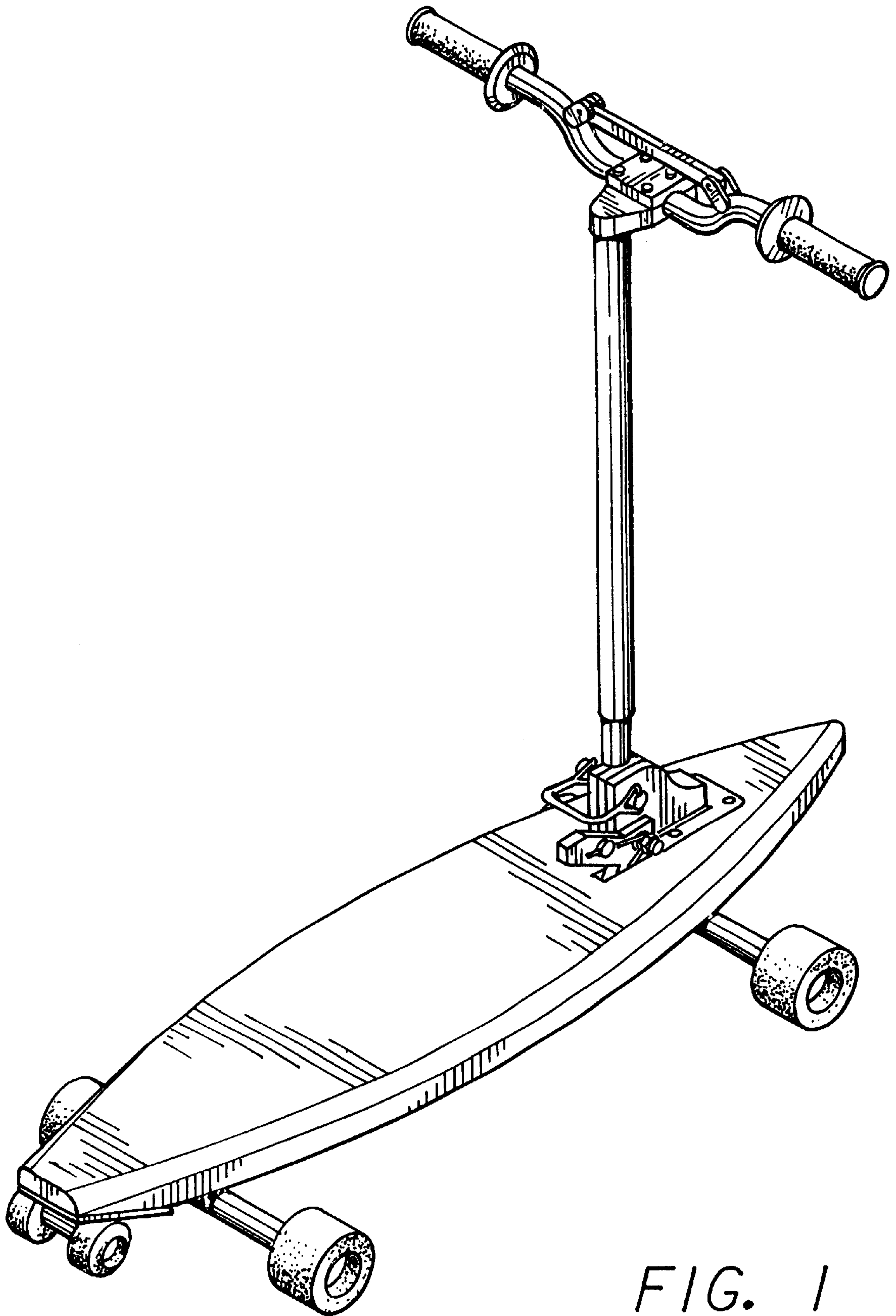


FIG. 1

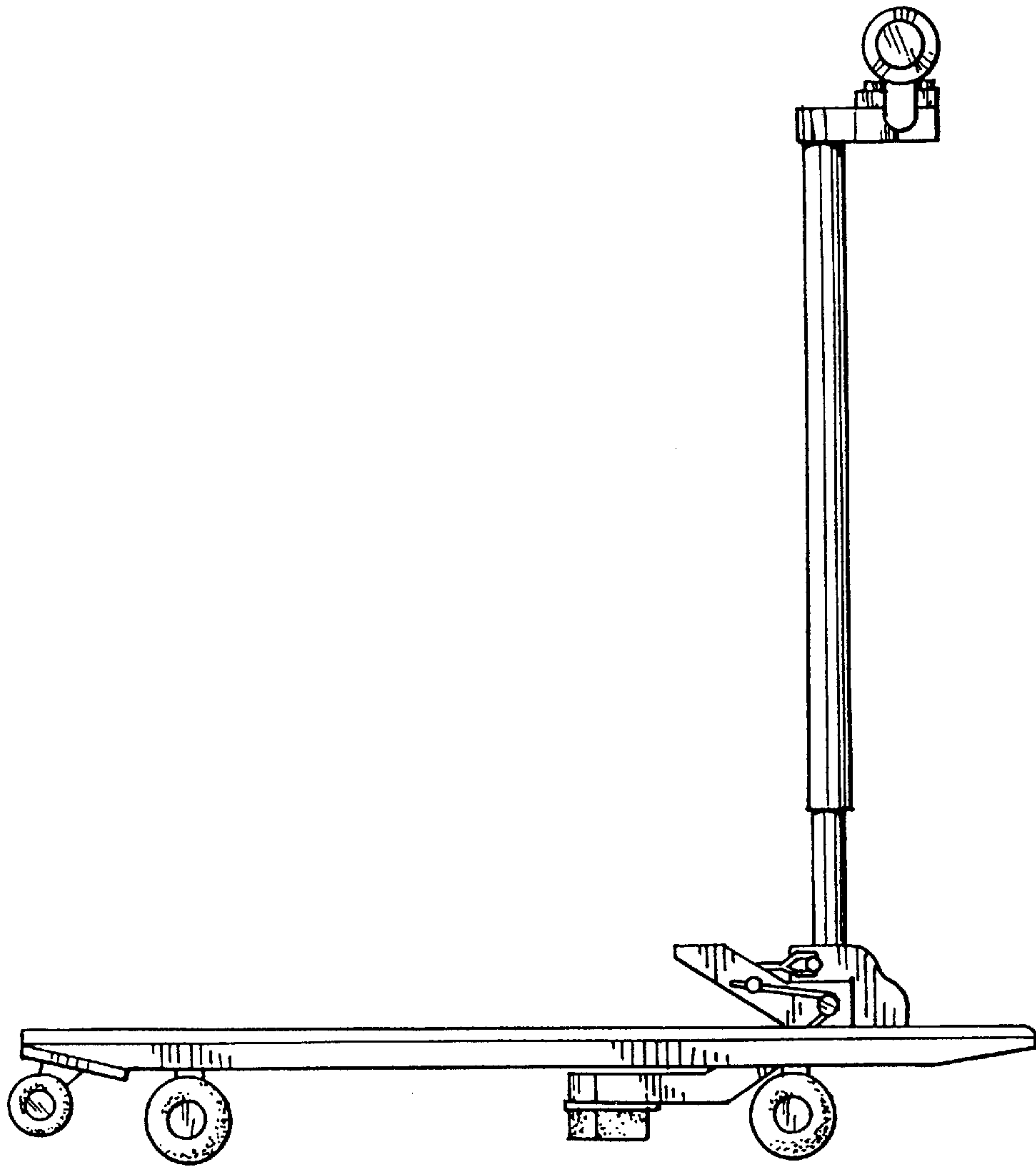
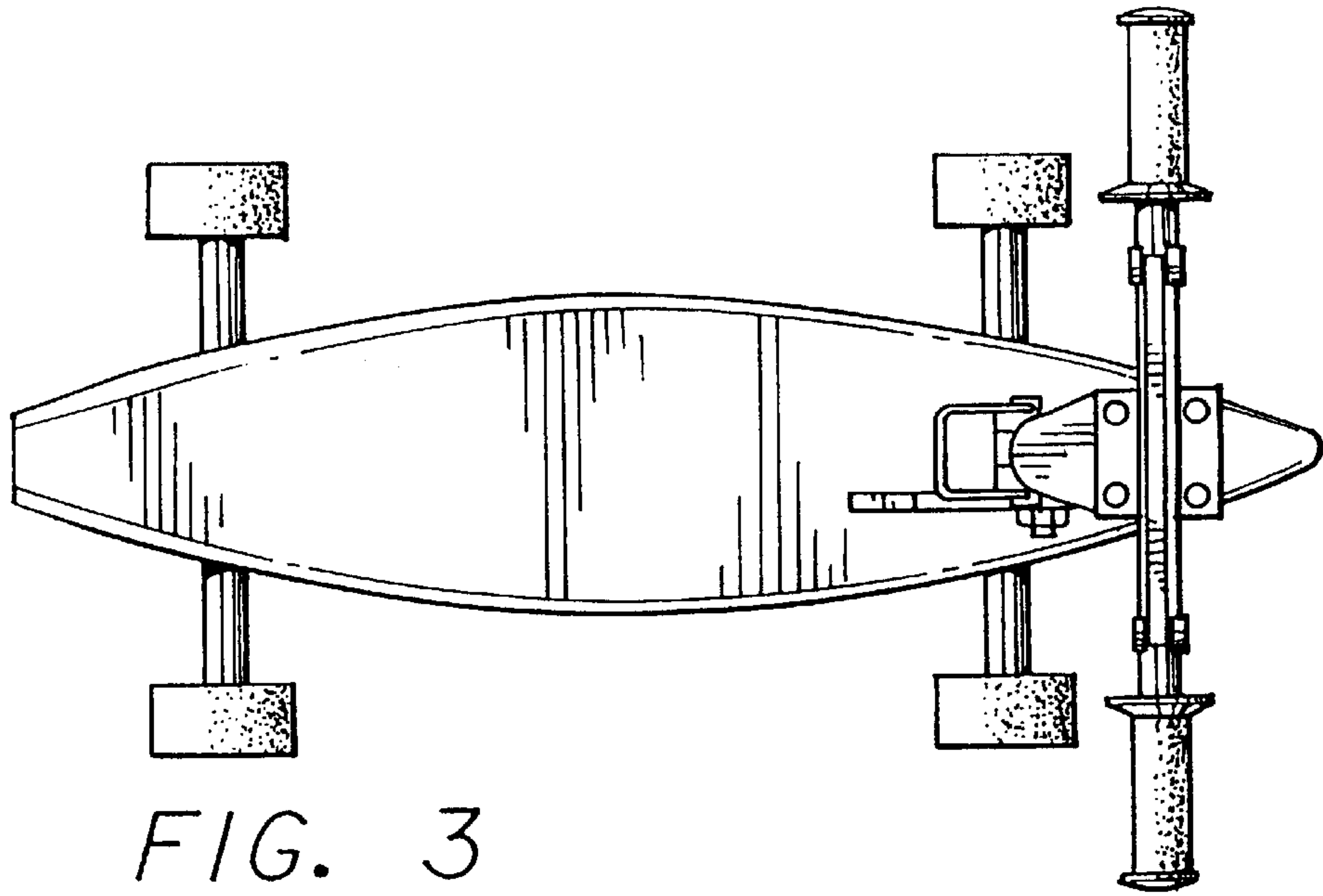


FIG. 4

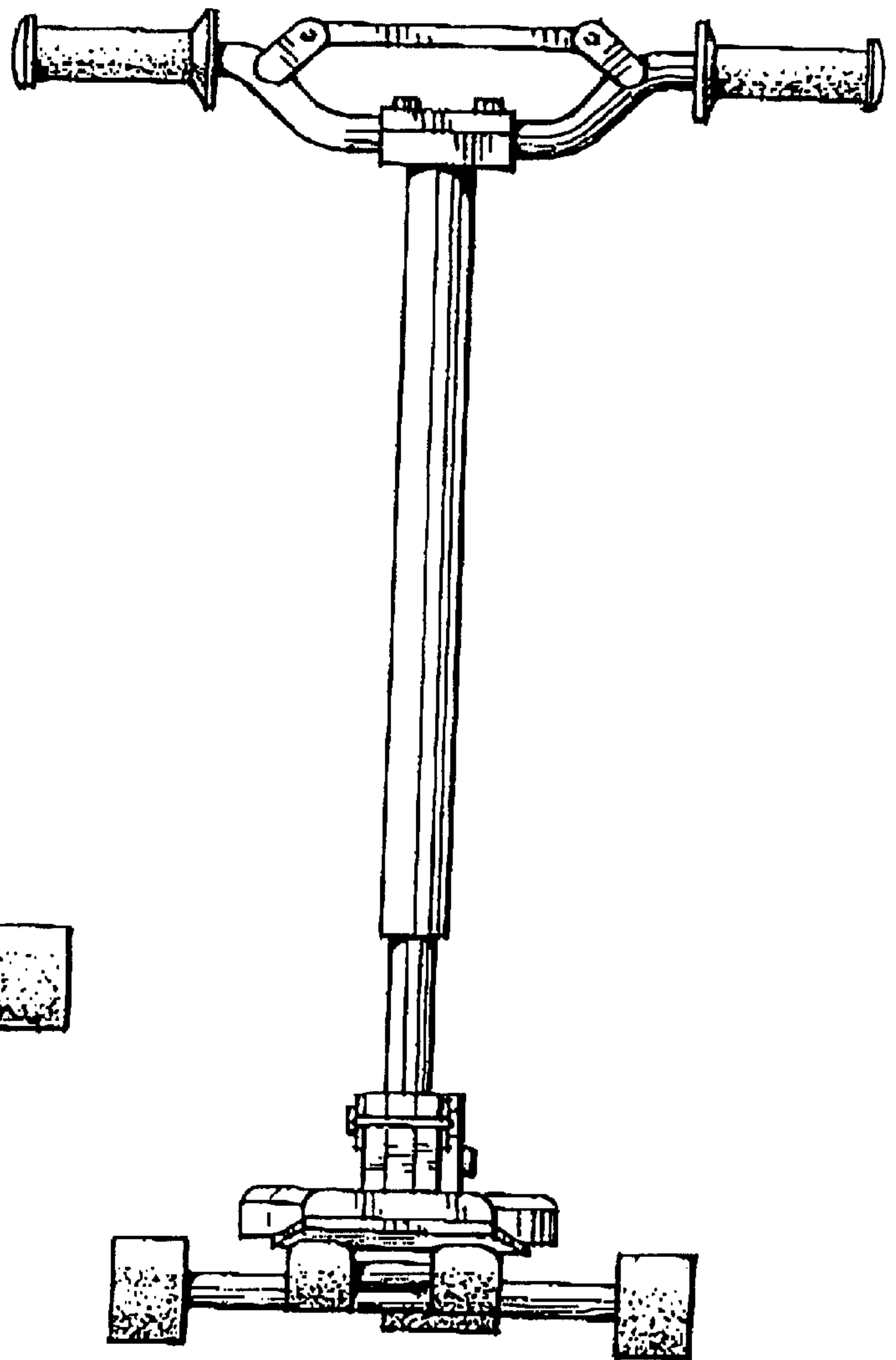
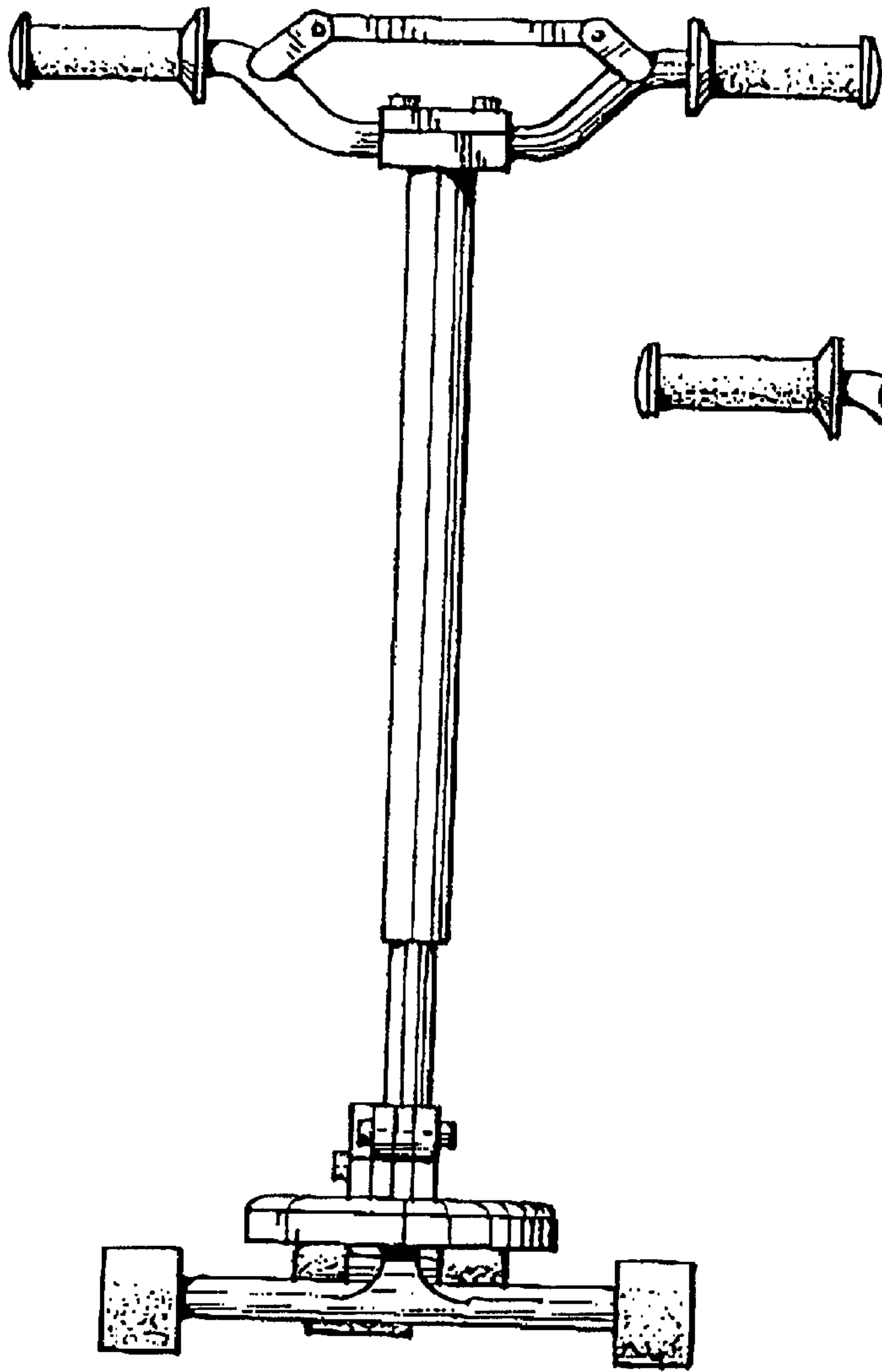


FIG. 5