



US00D456044S

(12) **United States Design Patent**
St. James

(10) **Patent No.:** **US D456,044 S**

(45) **Date of Patent:** **** Apr. 23, 2002**

(54) **IN BOX IN THE SHAPE OF A BOXING RING**

(74) *Attorney, Agent, or Firm*—Mark P. White

(76) **Inventor:** **Justin St. James**, 12 High St., Andover, MA (US) 01810

(57) **CLAIM**

(**) **Term:** **14 Years**

The ornamental design for my in box in the shape of a boxing ring, as shown and described.

(21) **Appl. No.:** **29/143,821**

DESCRIPTION

(22) **Filed:** **Jun. 20, 2001**

FIG. 1 is a top perspective view of the in box in the shape of a boxing ring showing my new design;

(51) **LOC (7) Cl.** **19-02**

FIG. 2 is a top plan view thereof.

(52) **U.S. Cl.** **D19/92**

FIG. 3 is a front elevation view thereof.

(58) **Field of Search** D3/304; D19/75, D19/78, 86, 90, 91, 92, 99, 100, 65; 206/215, 425, 555, 557; 211/10, 11, 126.1, 126.2, 126.4, 126.5, 126.6, 126.7; 281/44; D7/554.3

FIG. 4 is a rear elevation view thereof,

FIG. 5 is a side elevation view thereof showing an area for textural or graphic material on the bottom portion;

(56) **References Cited**

U.S. PATENT DOCUMENTS

- D39,557 S * 9/1908 Hebestreit D7/554.3
- 3,202,295 A * 8/1965 Drader 211/126.6
- D380,112 S * 6/1997 Peters D3/304
- D445,136 S * 7/2001 Saylor et al. D19/92

FIG. 6 is a side elevation view thereof, viewed from the side opposite that of FIG. 5.

FIG. 7 is a bottom plan view thereof, showing the indentations which mate with the top of the ring posts when one in box is stacked atop another; and,

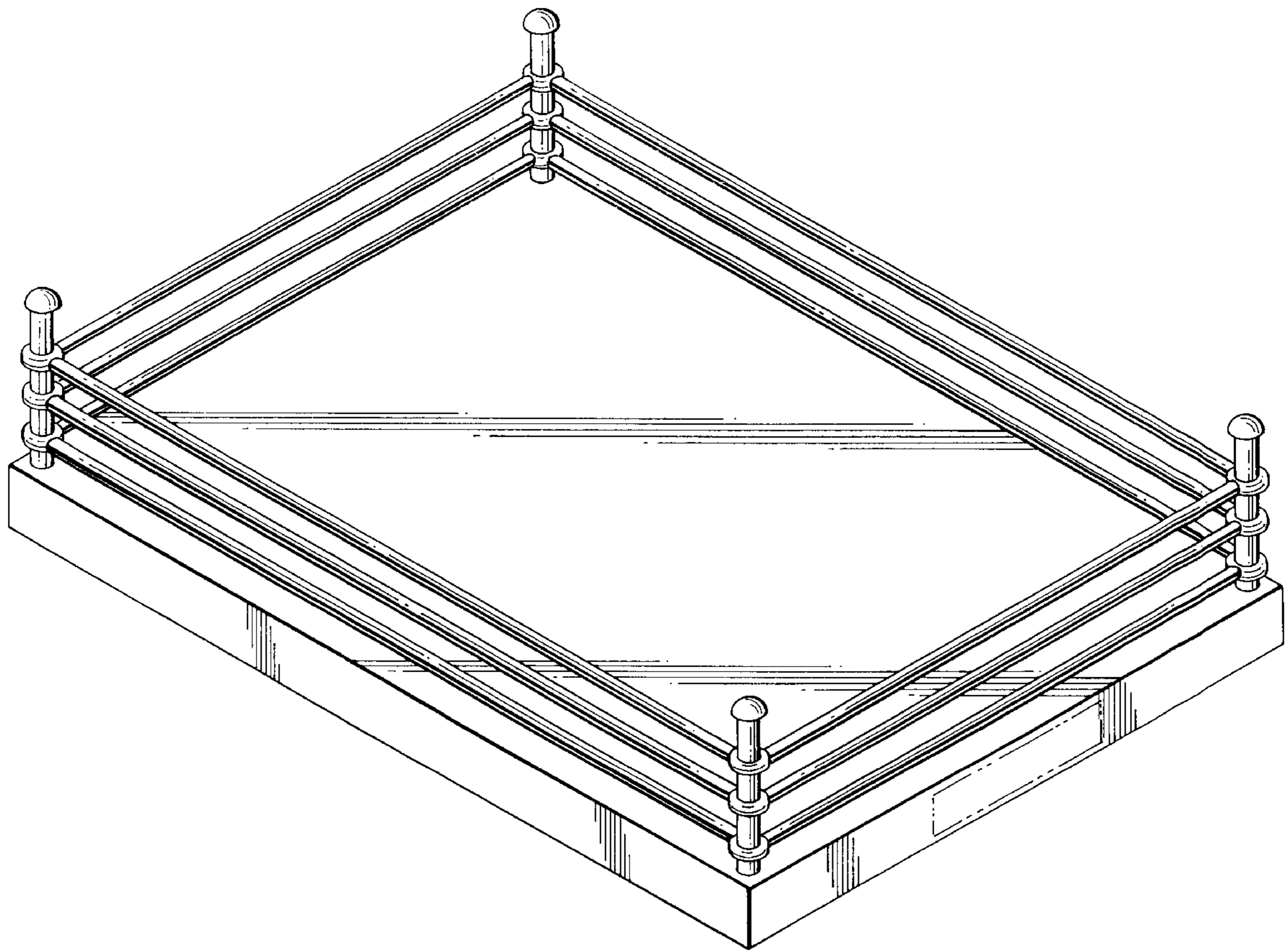
FIG. 8 is a perspective view thereof on a reduced scale located on the top of a desk with a paper therein.

The broken line showing of environment in FIGS. 1, 5, 6 and 8 is for illustrative purposes only and forms no part of the claimed design.

* cited by examiner

Primary Examiner—Doris V. Coles
Assistant Examiner—Elizabeth A. Albert

1 Claim, 6 Drawing Sheets



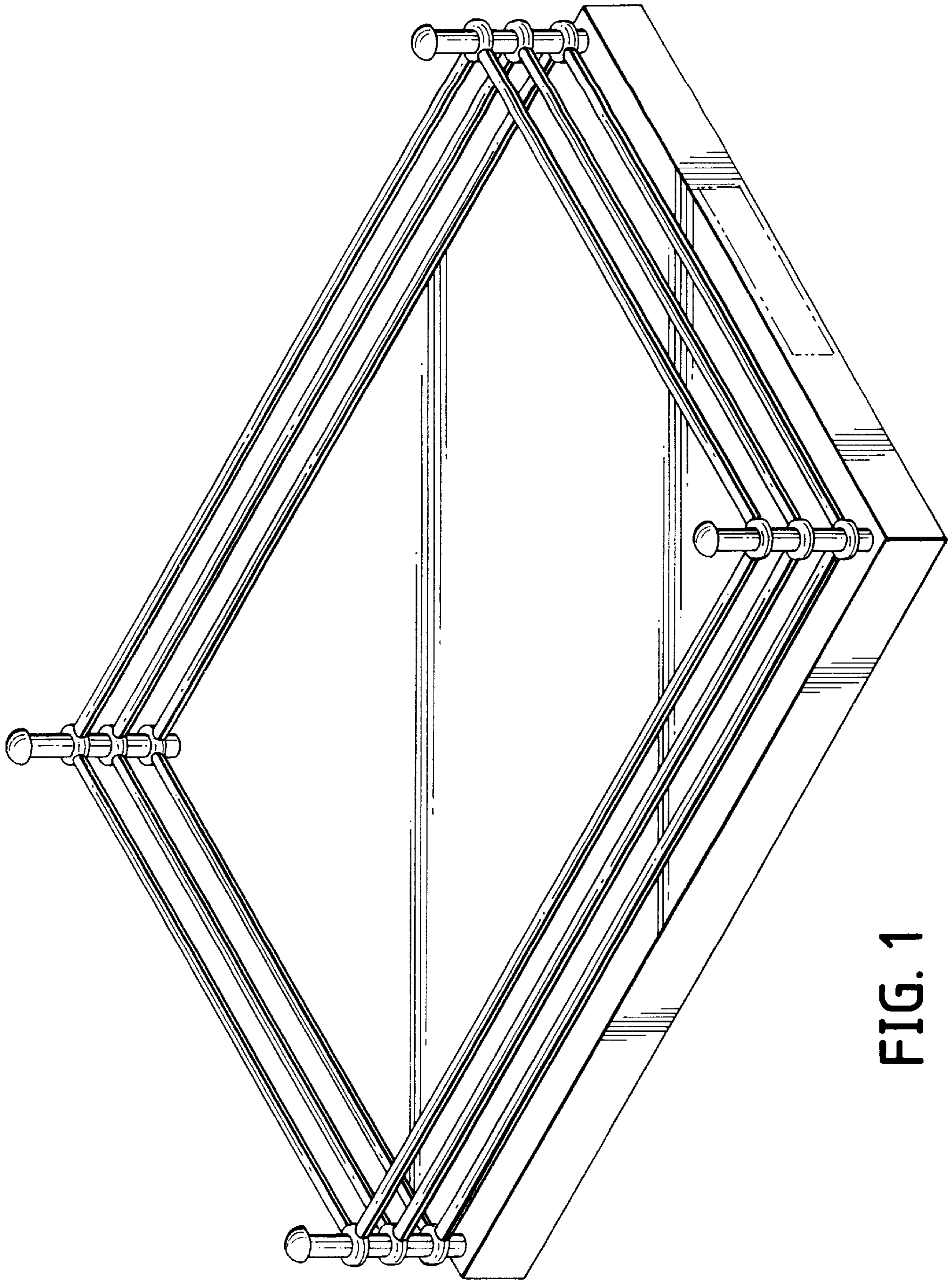


FIG. 1

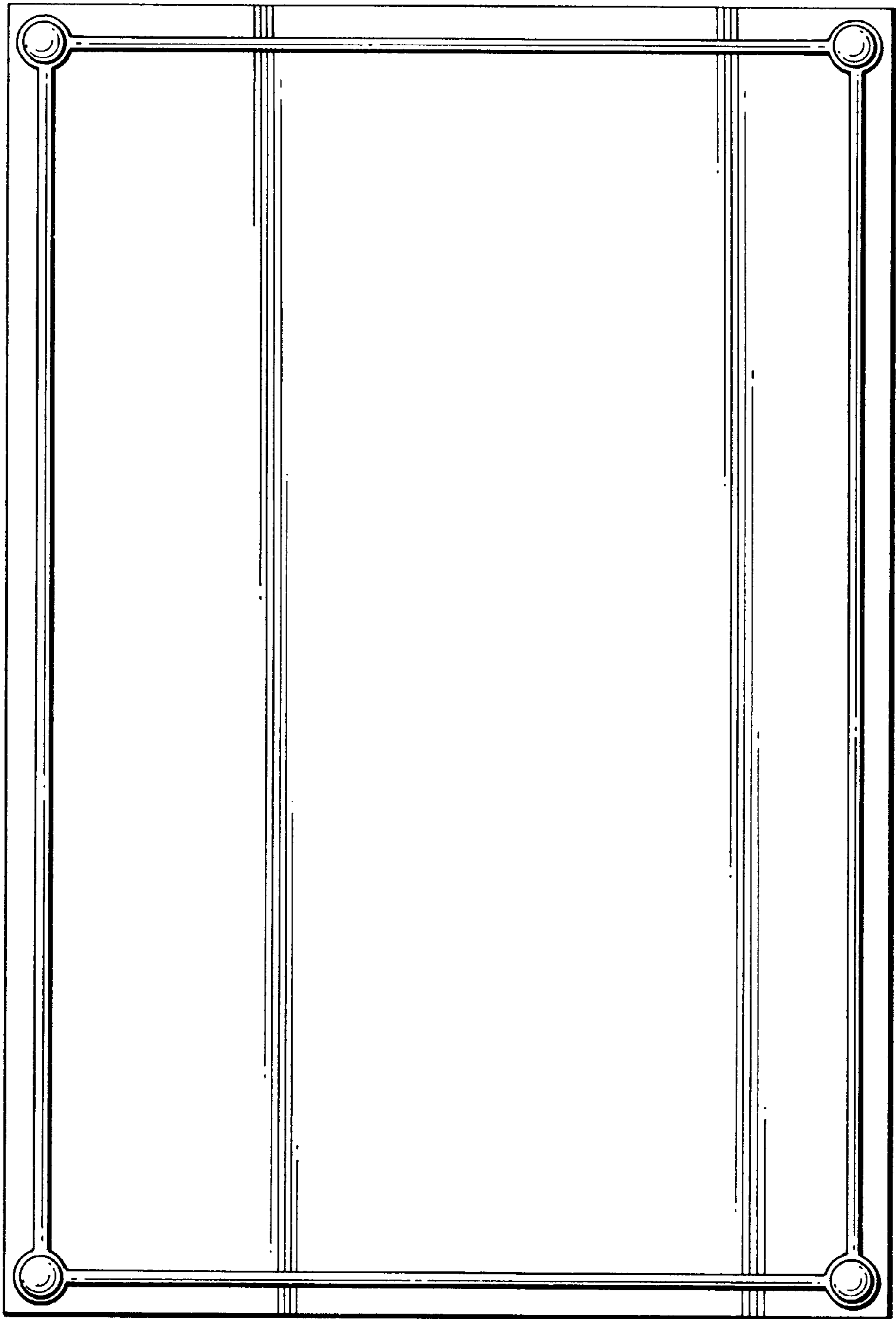


FIG. 2

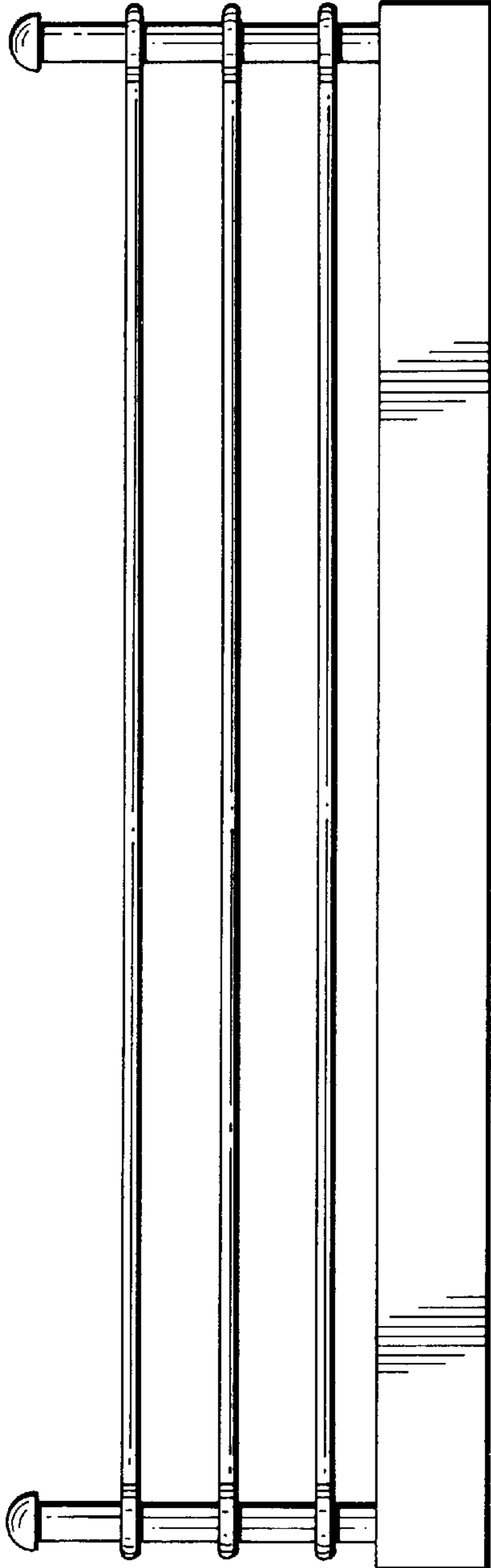


FIG. 3

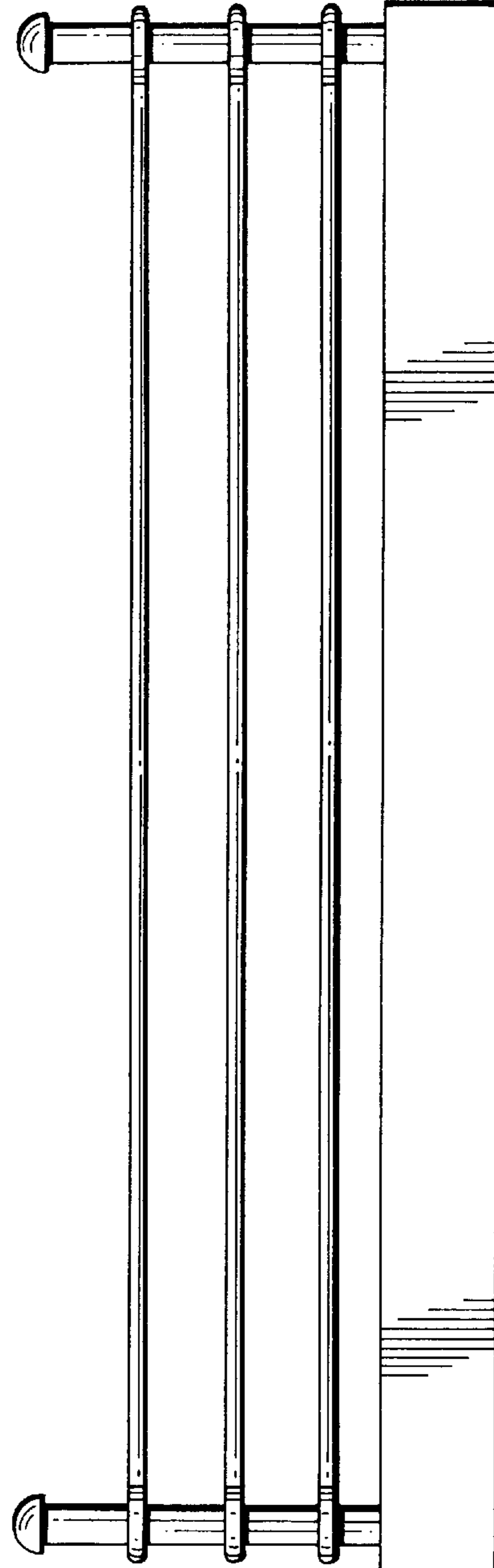


FIG. 4

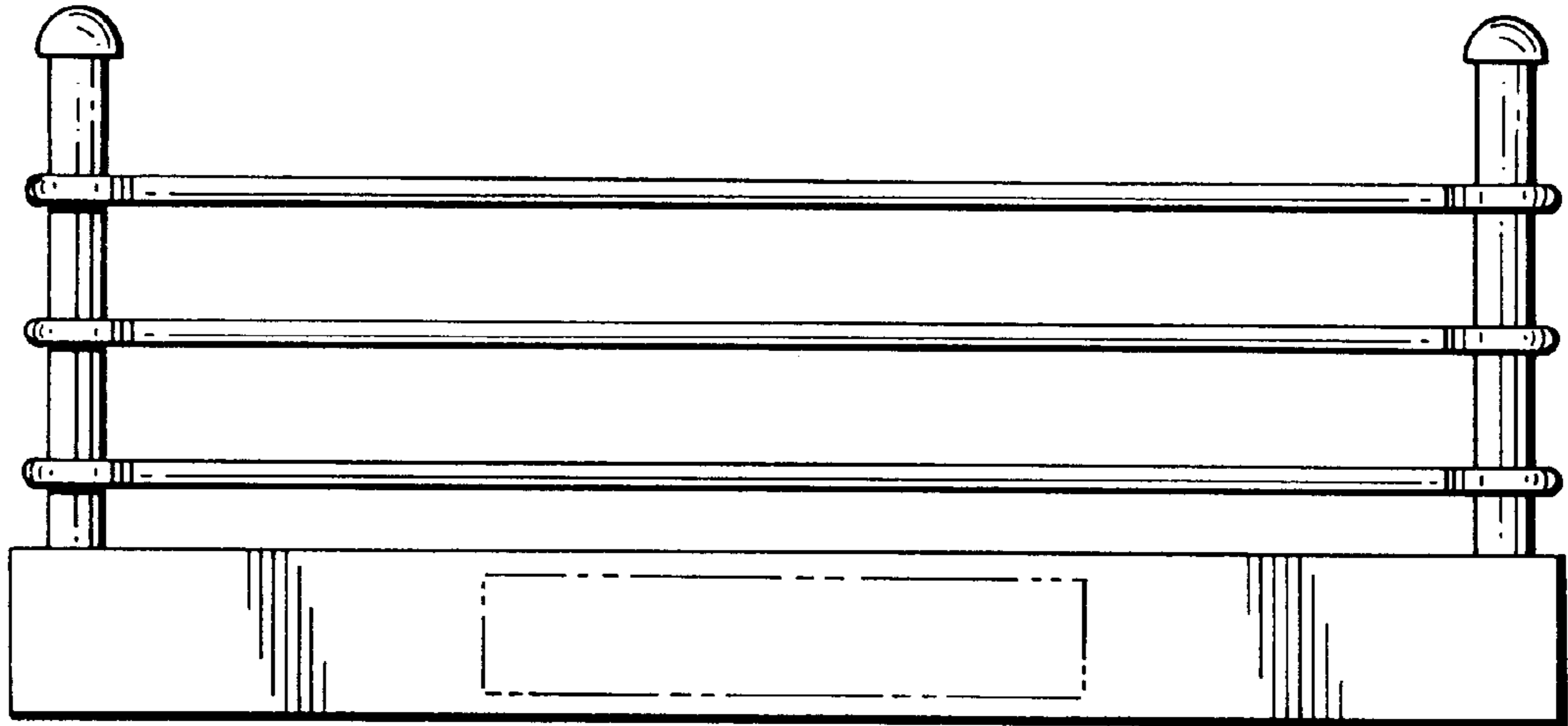


FIG. 5

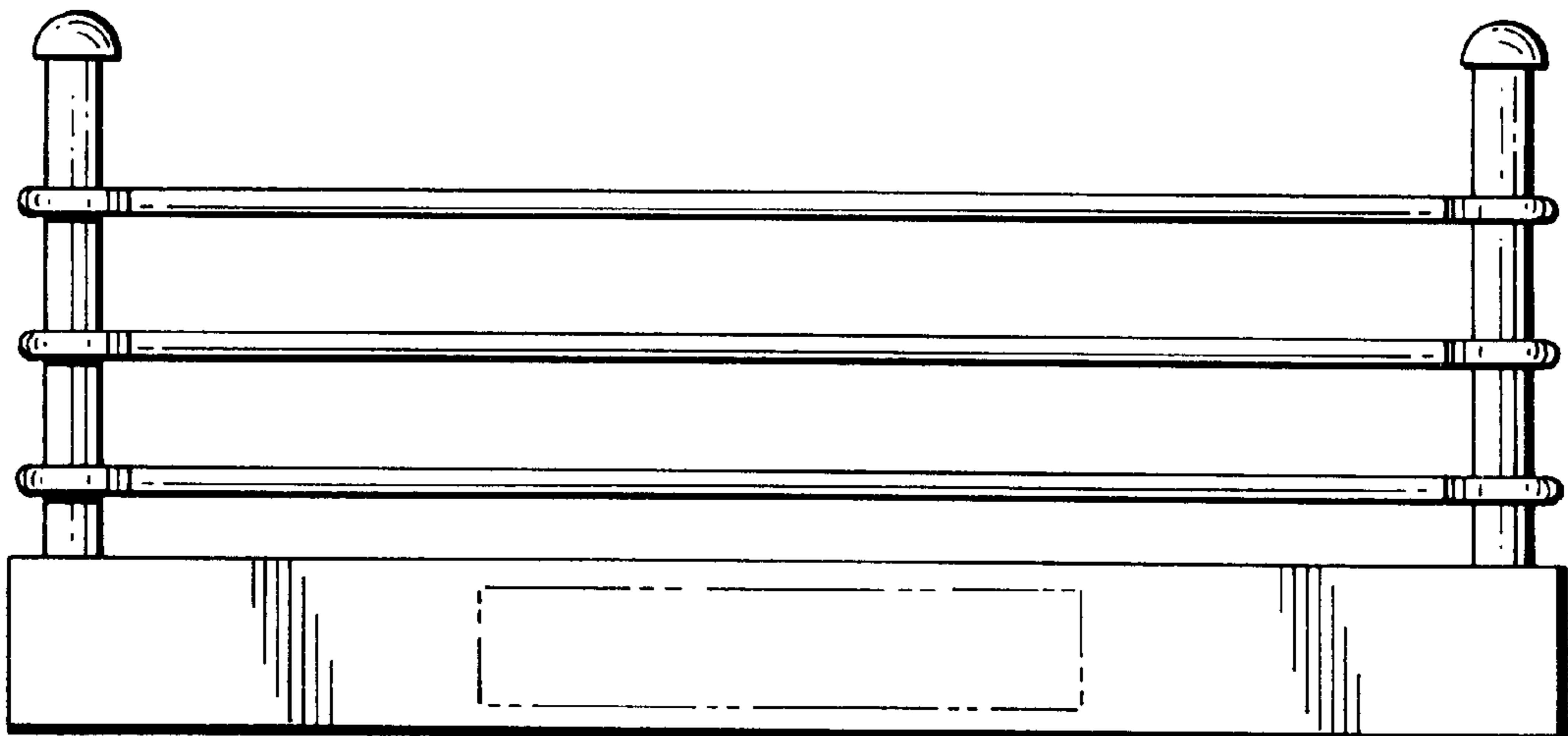


FIG. 6

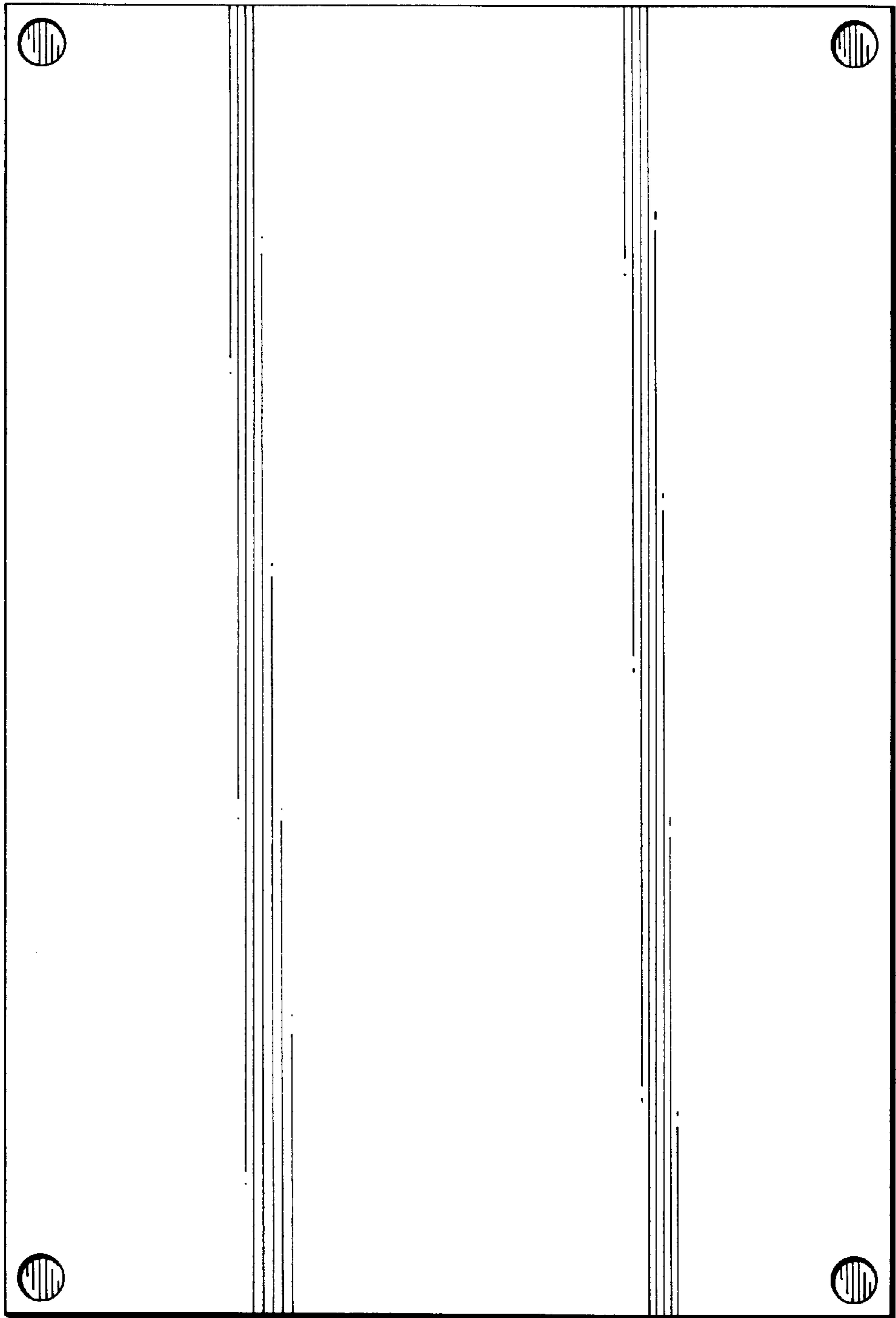


FIG. 7

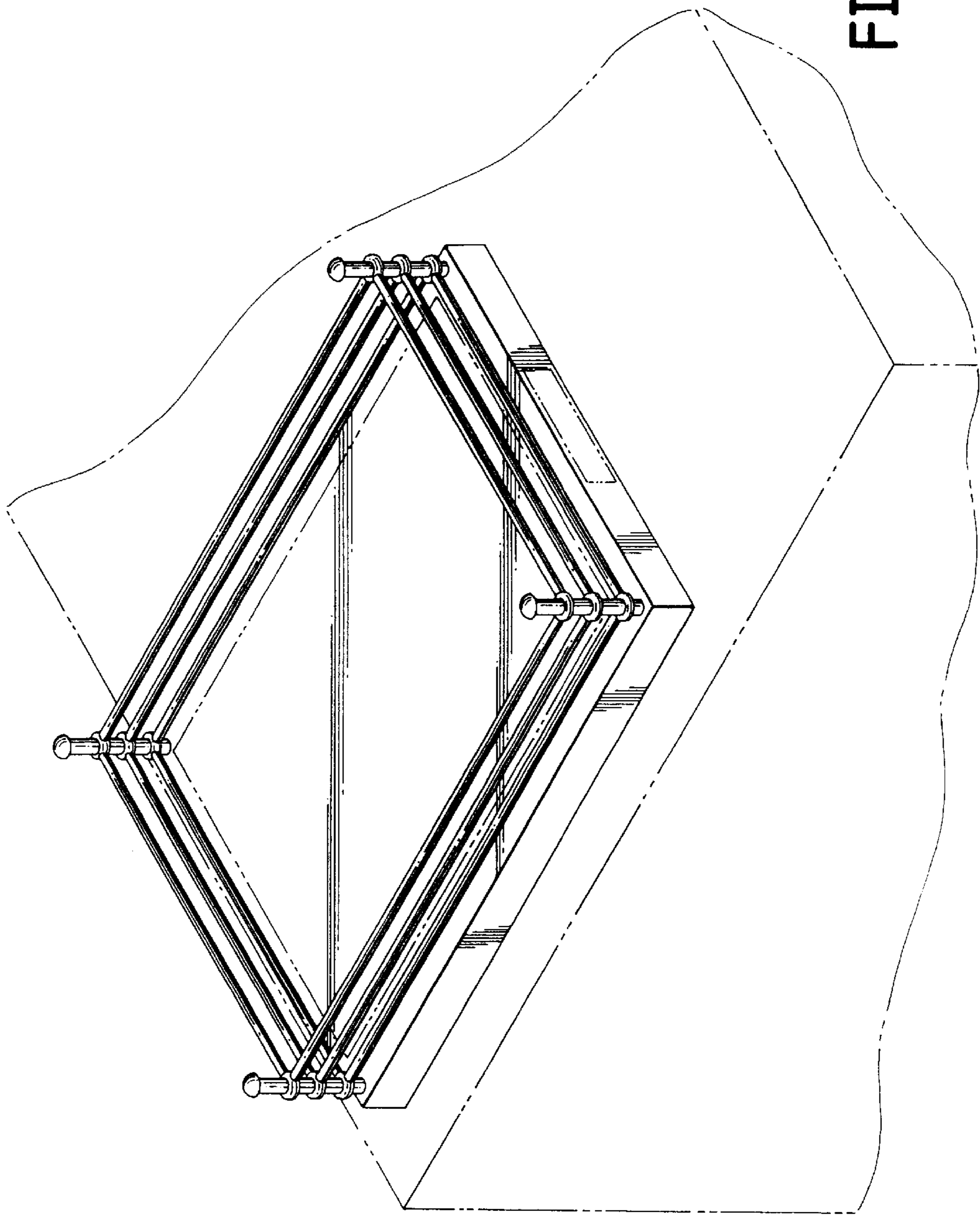


FIG. 8