



US00D456043S

(12) **United States Design Patent**  
**Kennedy**

(10) **Patent No.:** **US D456,043 S**

(45) **Date of Patent:** **\*\* Apr. 23, 2002**

(54) **PUSH PIN**

(76) **Inventor:** **Michael Kennedy**, 736 Birchwood Dr.,  
Westbury, NY (US) 11590

(\*\*) **Term:** **14 Years**

(21) **Appl. No.:** **29/117,892**

(22) **Filed:** **Feb. 1, 2000**

(51) **LOC (7) Cl.** ..... **19-02**

(52) **U.S. Cl.** ..... **D19/90; D19/91; D19/65;**  
D8/392

(58) **Field of Search** ..... D8/388, 391, 389,  
D8/390, 392; D19/65, 86, 90, 91, 99, 100;  
411/439, 372.5, 473, 477, 499, 500, 923;  
24/711.3, 711.4; 40/668, 300, 641, 312

(56) **References Cited**

**U.S. PATENT DOCUMENTS**

302,495 A \* 7/1884 Jenkins ..... 40/668  
895,846 A \* 8/1908 Diers ..... 411/923 X  
1,593,522 A \* 7/1926 Woods ..... 40/312

D175,275 S \* 8/1955 Romine ..... D8/391  
2,751,807 A \* 6/1956 Harre ..... 411/473  
4,691,458 A \* 9/1987 Scott ..... 40/300  
D352,315 S \* 11/1994 Sellers ..... D19/65

\* cited by examiner

*Primary Examiner*—Martie K. Holtje

(74) *Attorney, Agent, or Firm*—Collard & Roe, P.C

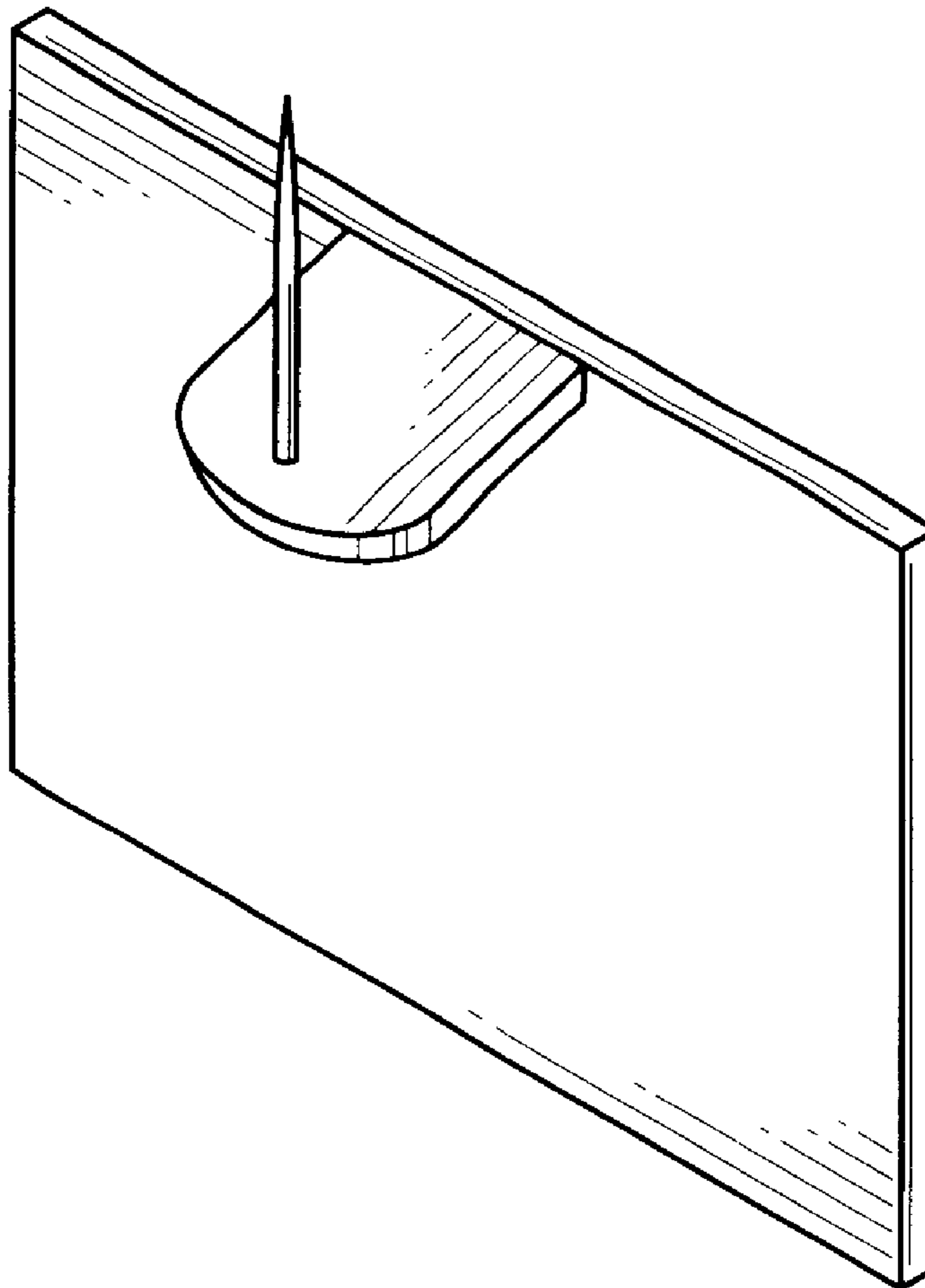
(57) **CLAIM**

The ornamental design for a push pin, as shown and described.

**DESCRIPTION**

FIG. 1 shows a perspective view of my design for a push pin;  
FIG. 2 shows a rear view thereof;  
FIG. 3 shows a front view thereof;  
FIG. 4 shows a side view thereof, with the opposite side  
being a mirror image thereof;  
FIG. 5 shows a top view thereof; and,  
FIG. 6 shows a bottom view thereof.

**1 Claim, 1 Drawing Sheet**



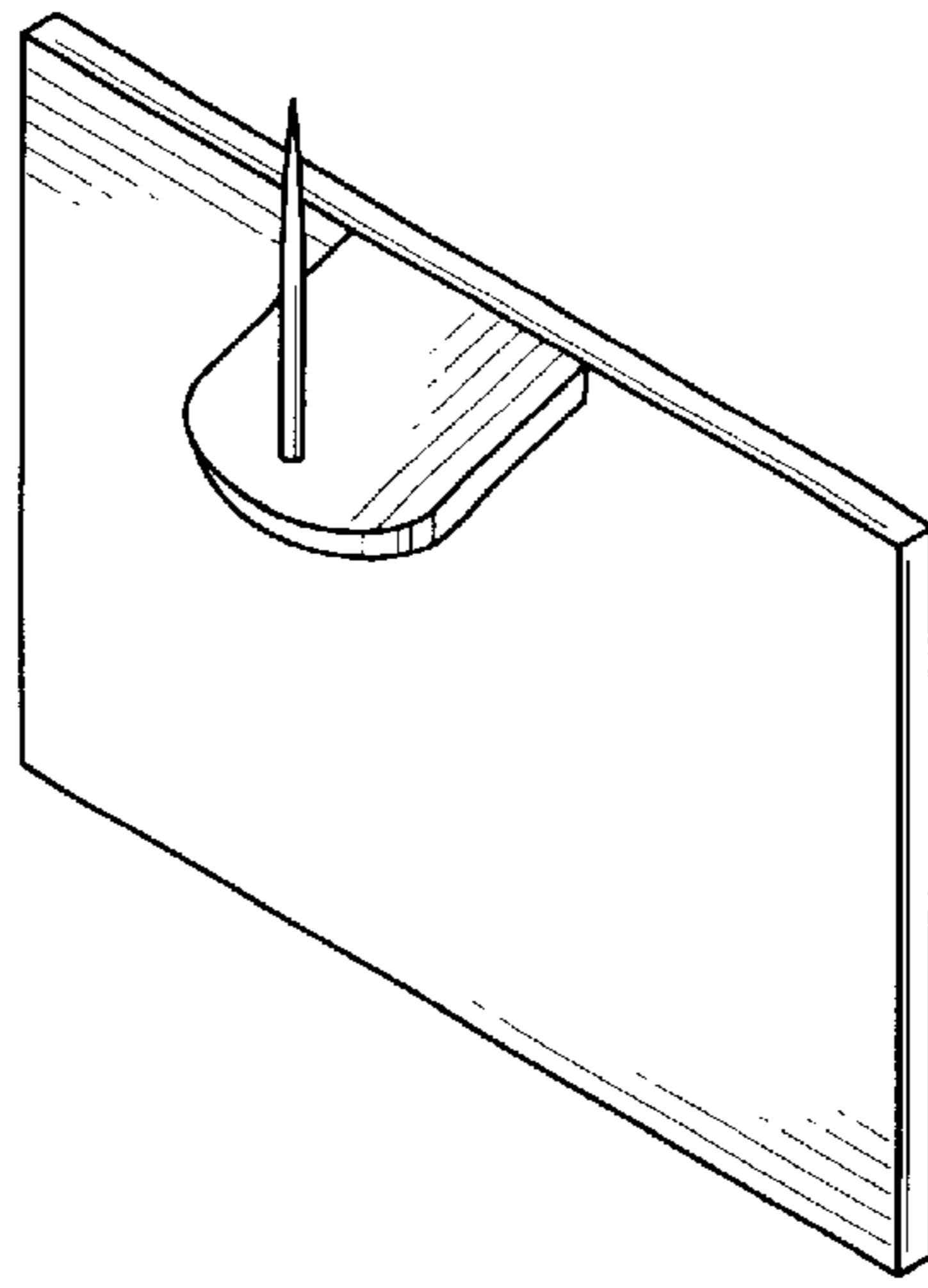


FIG. 1

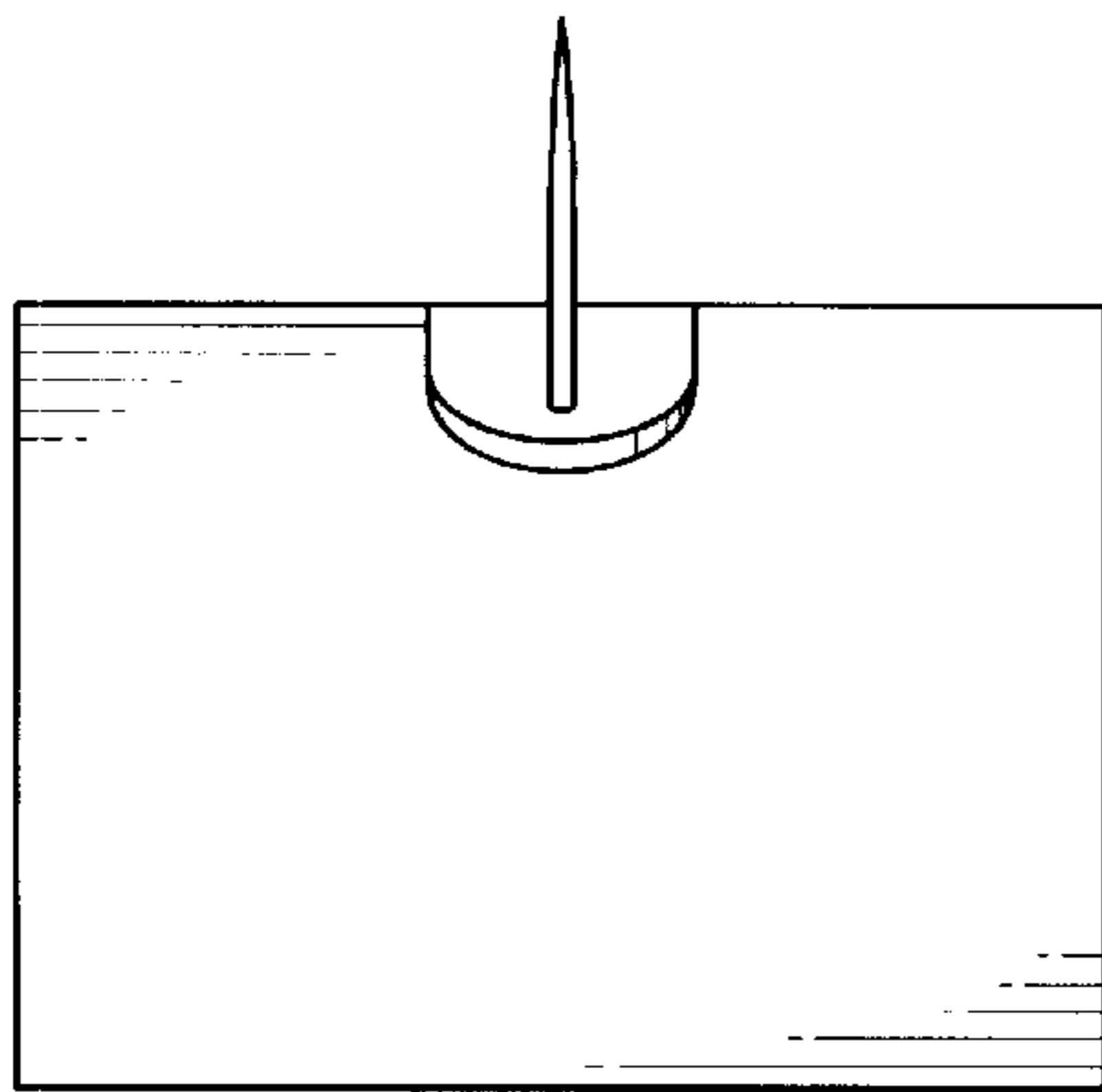


FIG. 2

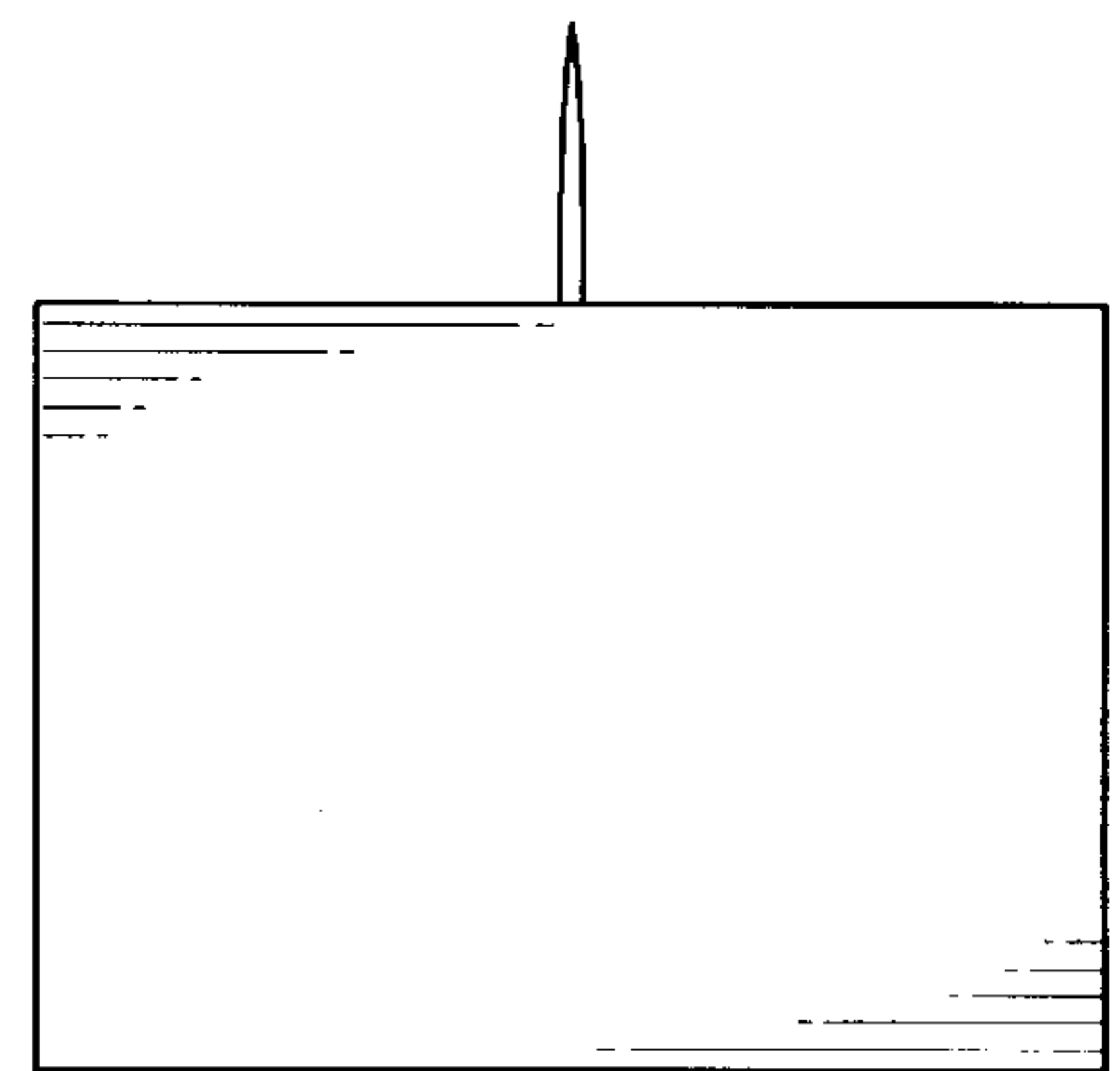


FIG. 3

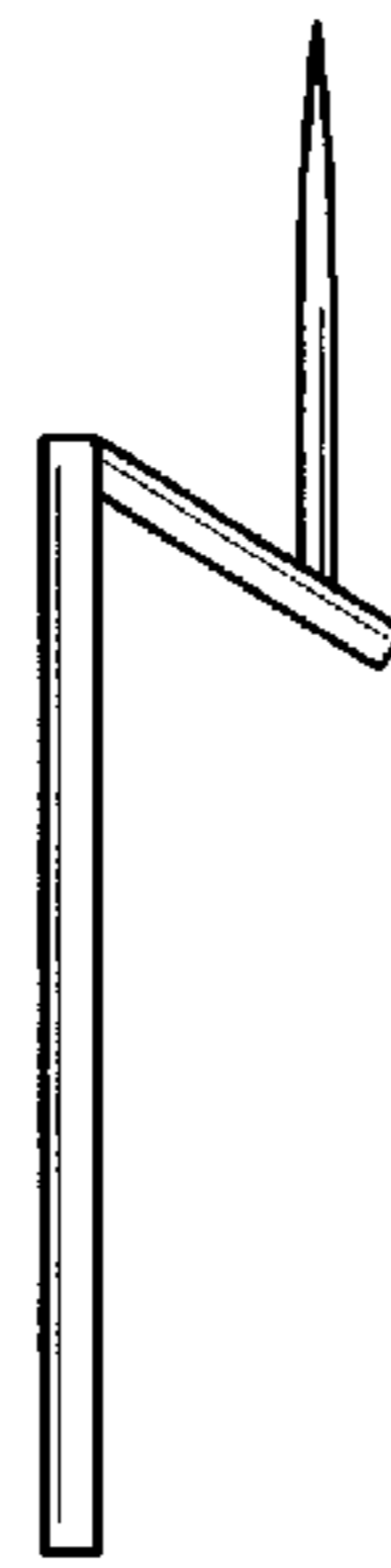


FIG. 4

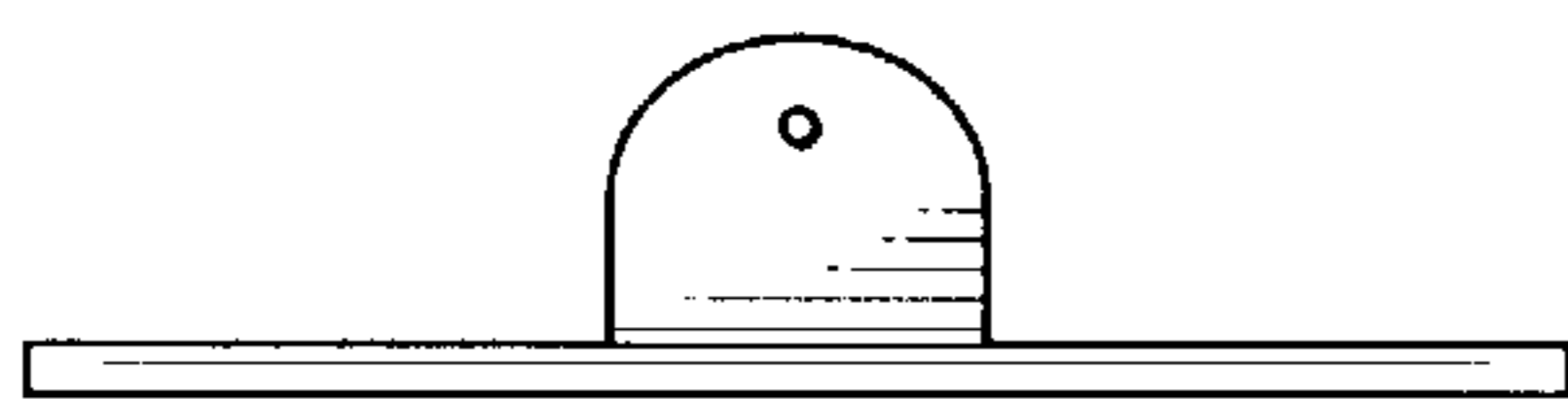


FIG. 5

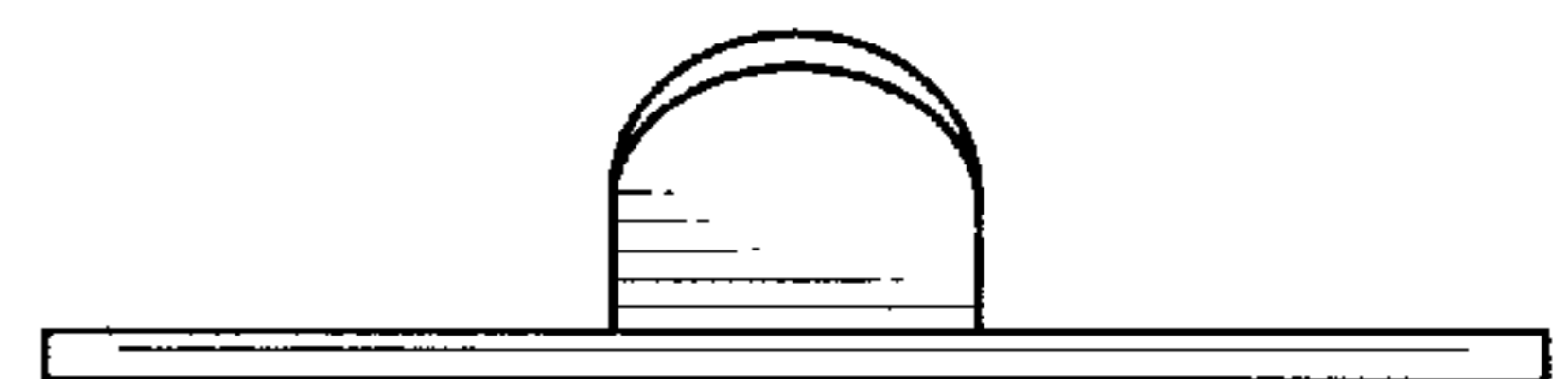


FIG. 6