



US00D456035S

(12) **United States Design Patent**
Yamazaki et al.

(10) **Patent No.: US D456,035 S**

(45) **Date of Patent: ** Apr. 23, 2002**

(54) **ELECTRONIC STILL CAMERA WITH MONITOR**

(75) Inventors: **Akira Yamazaki; Atsushi Kawase,**
both of Tokyo (JP)

(73) Assignee: **Sony Corporation, Tokyo (JP)**

(**) Term: **14 Years**

(21) Appl. No.: **29/143,387**

(22) Filed: **Jun. 14, 2001**

Related U.S. Application Data

(62) Division of application No. 29/121,716, filed on Apr. 13, 2000, now Pat. No. Des. 449,058.

(51) **LOC (7) Cl. 16-01**

(52) **U.S. Cl. D16/202; D16/206**

(58) **Field of Search D16/200-206,**
D16/208, 217, 218; 348/373-376; 358/906,
909.1; 396/61, 379, 535-541

(56) **References Cited**

U.S. PATENT DOCUMENTS

4,945,372 A	7/1990	Higuchi et al.	396/379
D330,562 S	10/1992	Takada et al.	D16/202
D402,301 S	12/1998	Sekine	D16/202
D416,271 S	11/1999	Ikenaga	D16/202
D425,095 S	5/2000	Watarai et al.	D16/217

D426,248 S	6/2000	Sumita	D16/202
D433,693 S	11/2000	Kobayashi	D16/202
D441,778 S	* 5/2001	Funakoshi	D16/202
D444,163 S	* 6/2001	Yoshida	D16/202
D447,500 S	* 9/2001	Funato	D16/202

OTHER PUBLICATIONS

Catalog "93," pp. 218 & 219 (MVC-FD91, DSC-D770 & DSC-D700), Sony (Nov. 1999).

* cited by examiner

Primary Examiner—Adir Aronovich

(74) *Attorney, Agent, or Firm*—Rader, Fishman & Grauer, PLLC

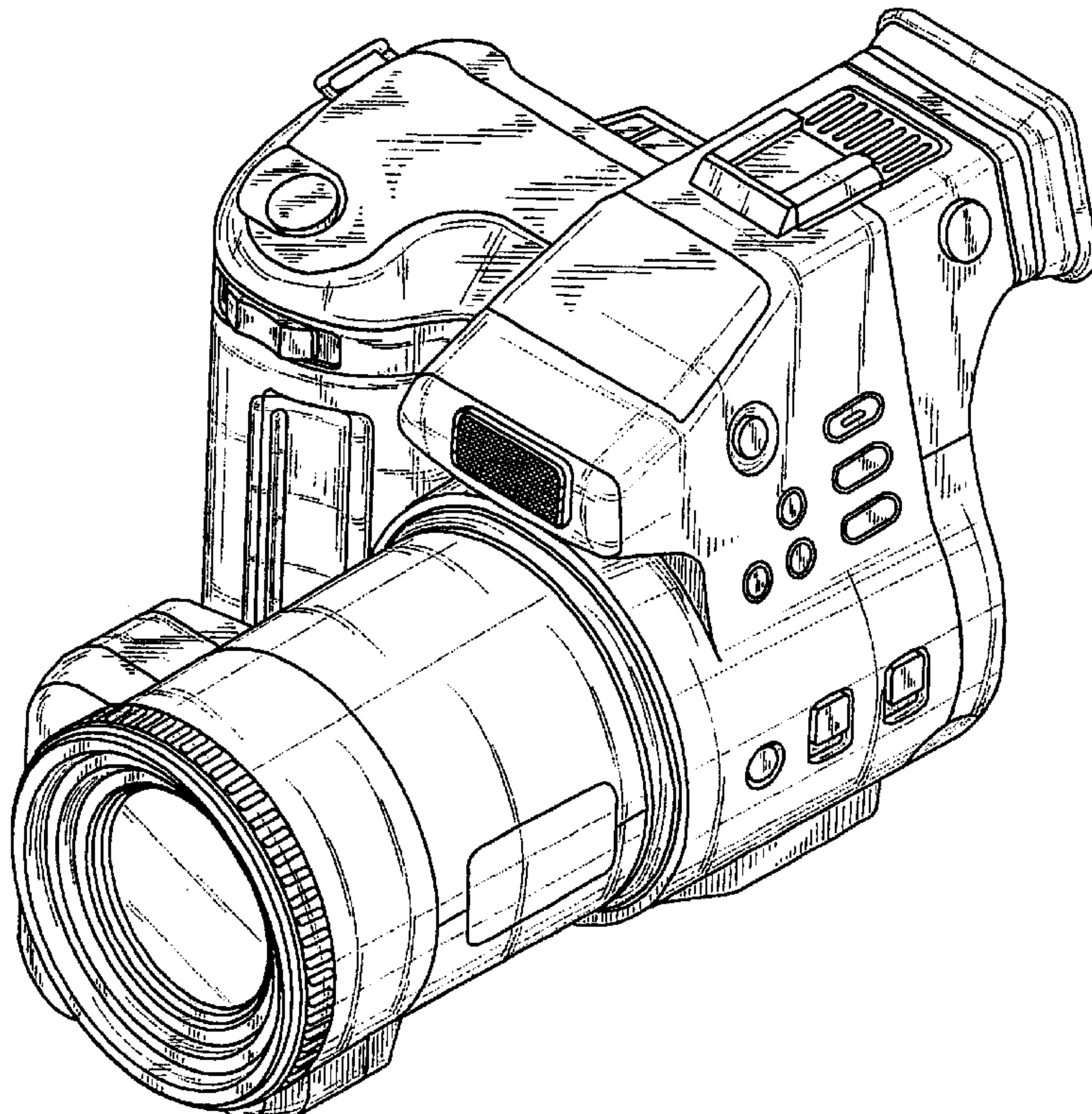
(57) **CLAIM**

The ornamental design for an electronic still camera with monitor, as shown and described.

DESCRIPTION

FIG. 1 is a perspective view of an electronic still camera with a monitor showing our new design;
FIG. 2 is a top plan view thereof;
FIG. 3 is a bottom plan view thereof;
FIG. 4 is a left side elevational view thereof;
FIG. 5 is a right side elevational view thereof;
FIG. 6 is a front elevational view thereof; and,
FIG. 7 is a rear elevational view thereof.

1 Claim, 4 Drawing Sheets



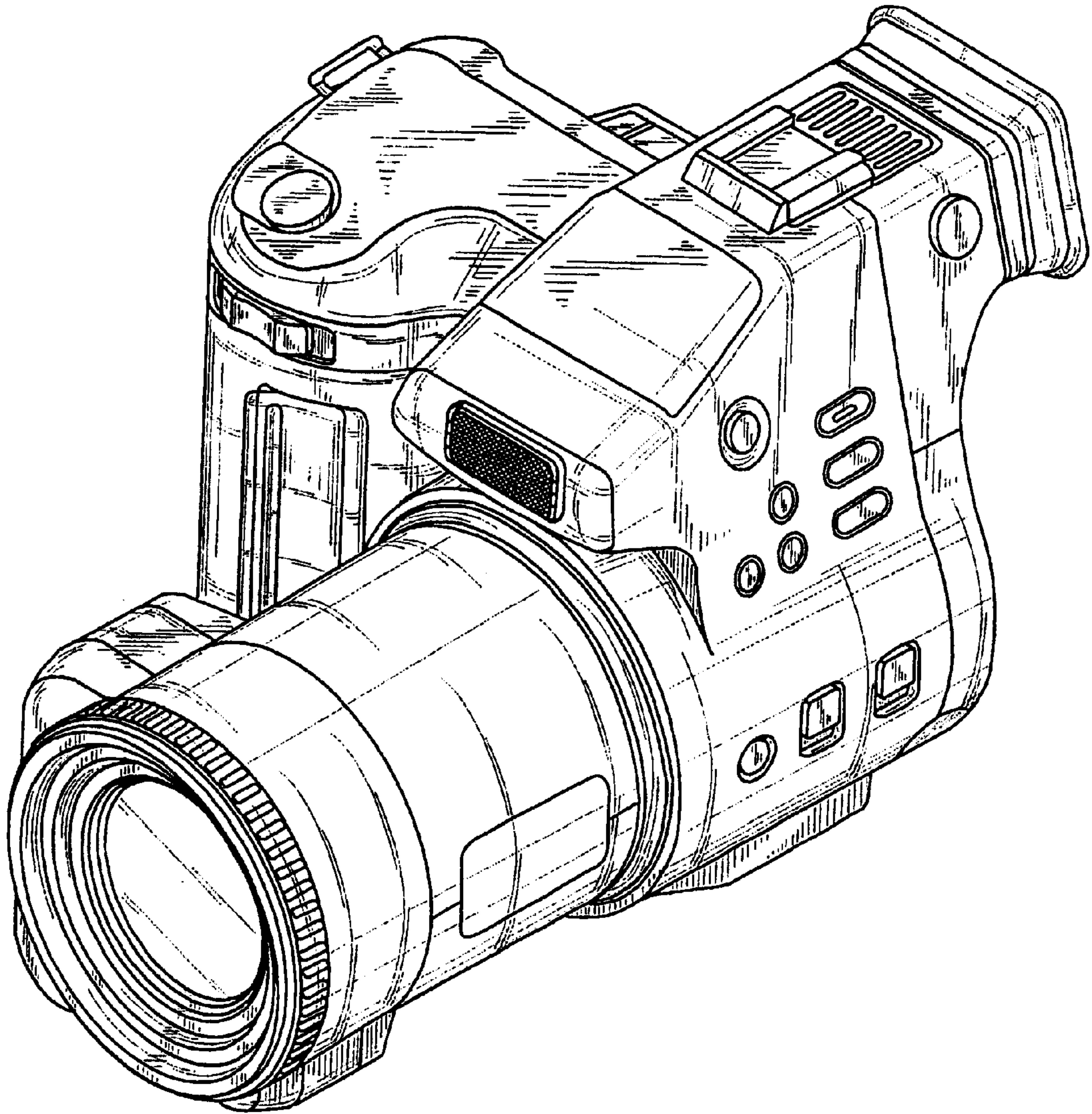


Fig. 1

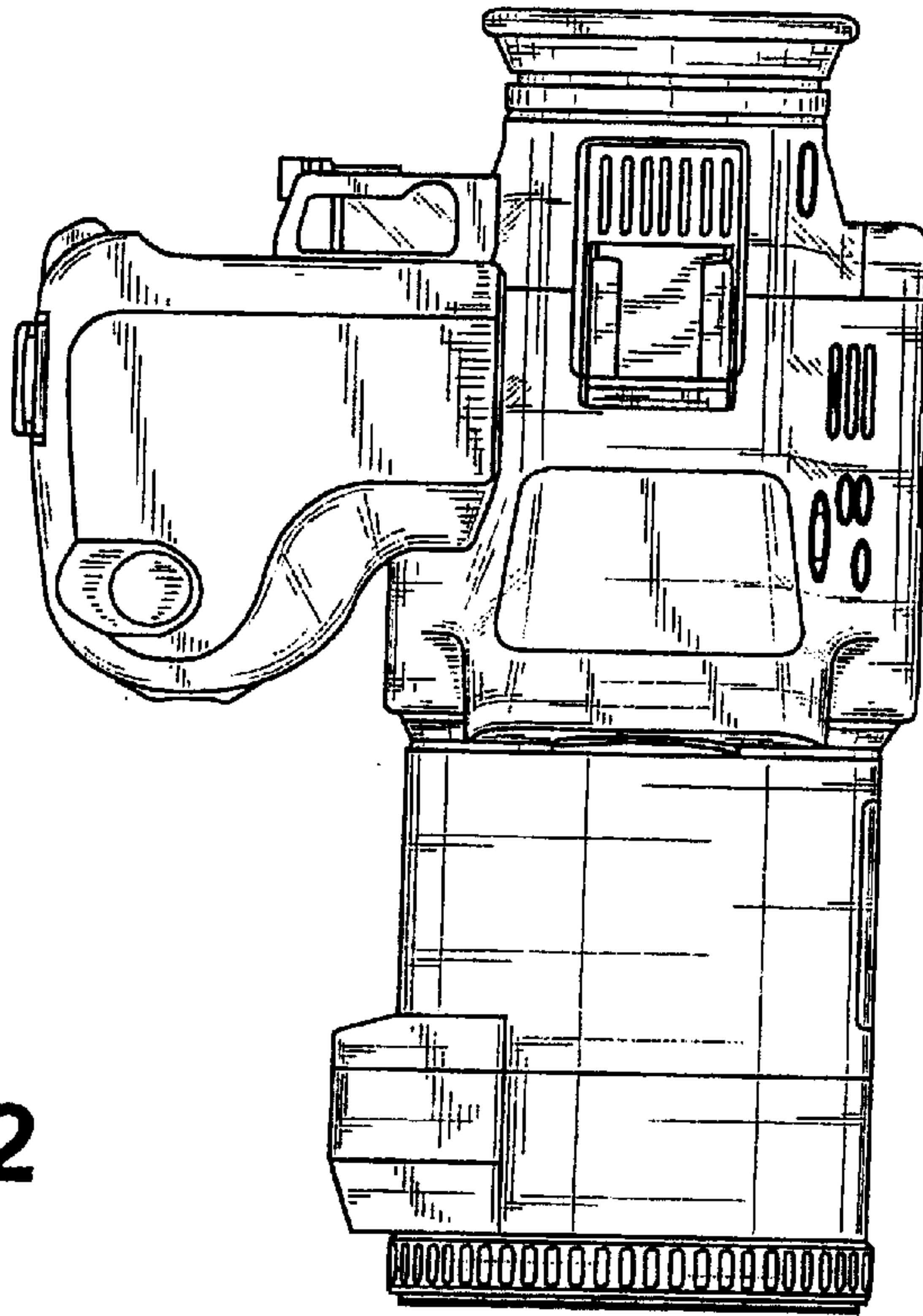


Fig. 2

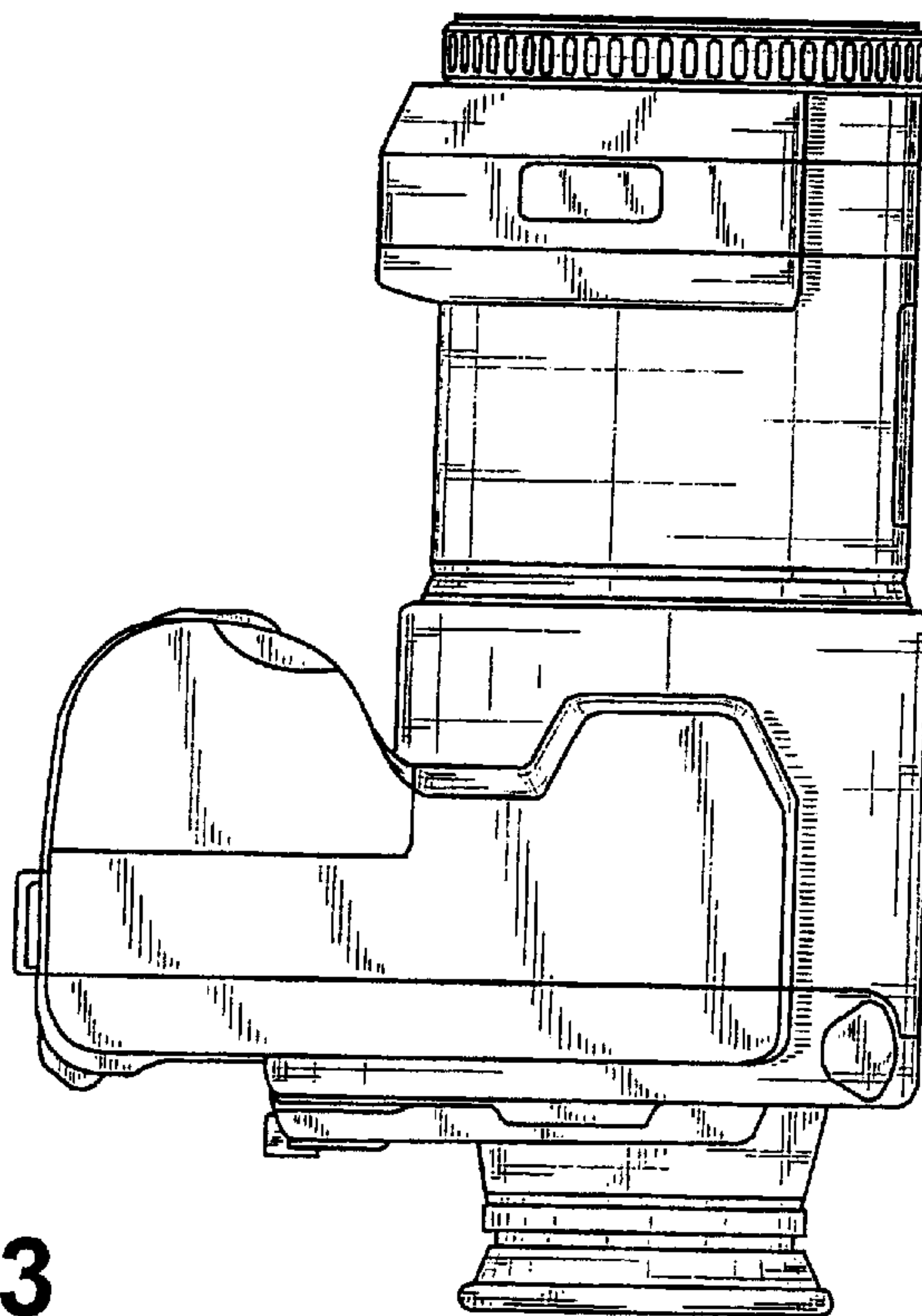


Fig. 3

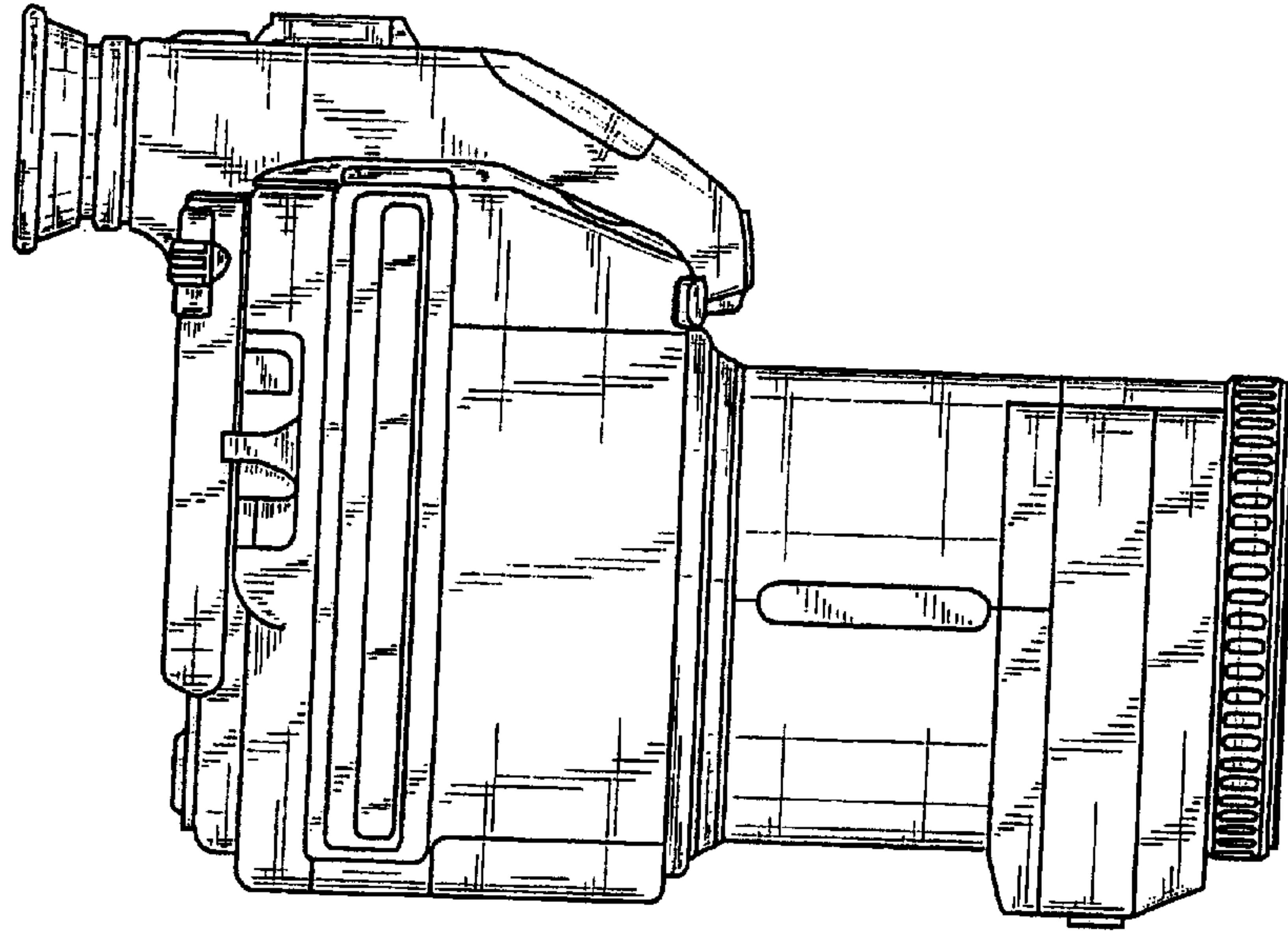


Fig. 4

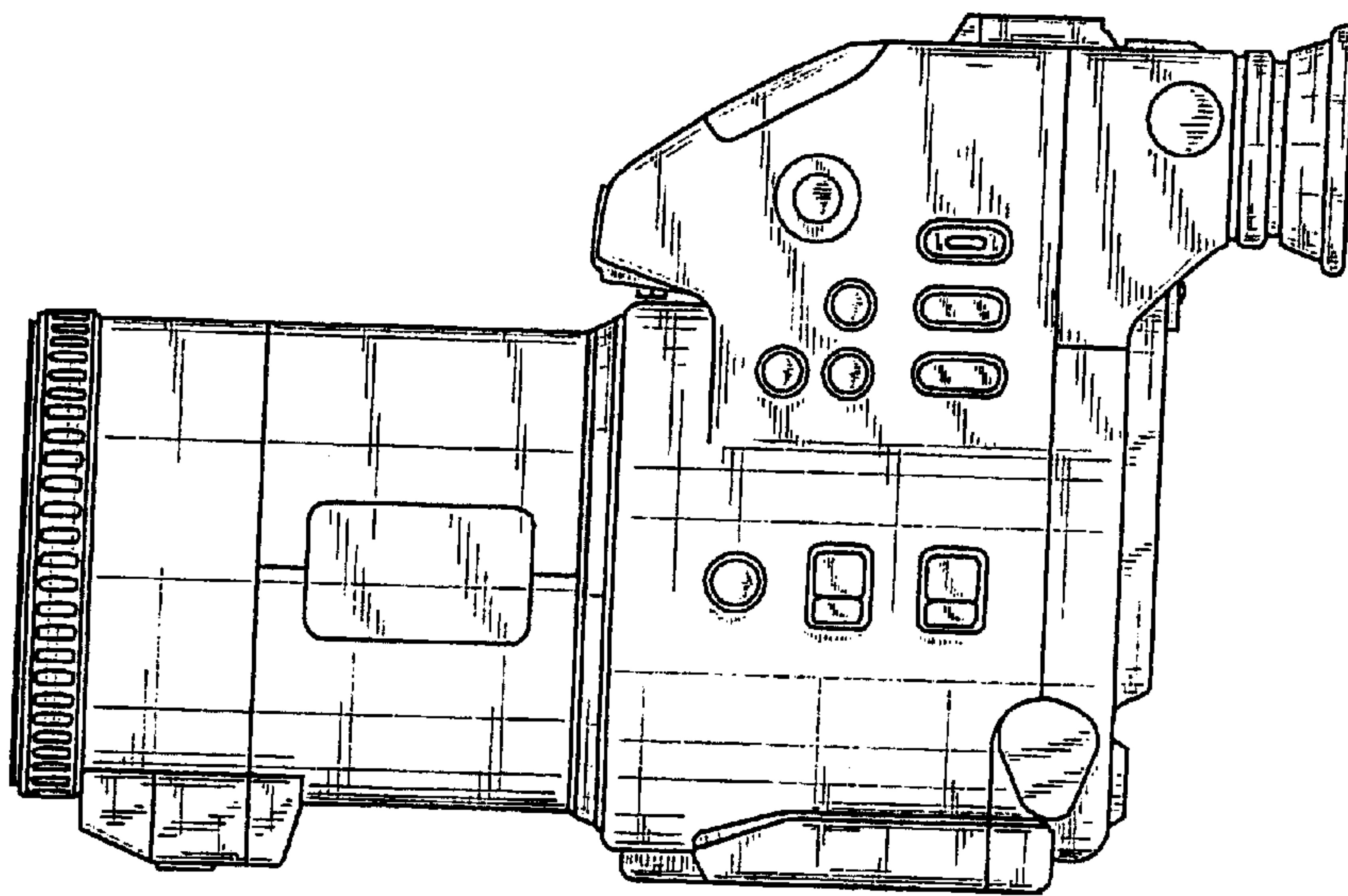


Fig. 5

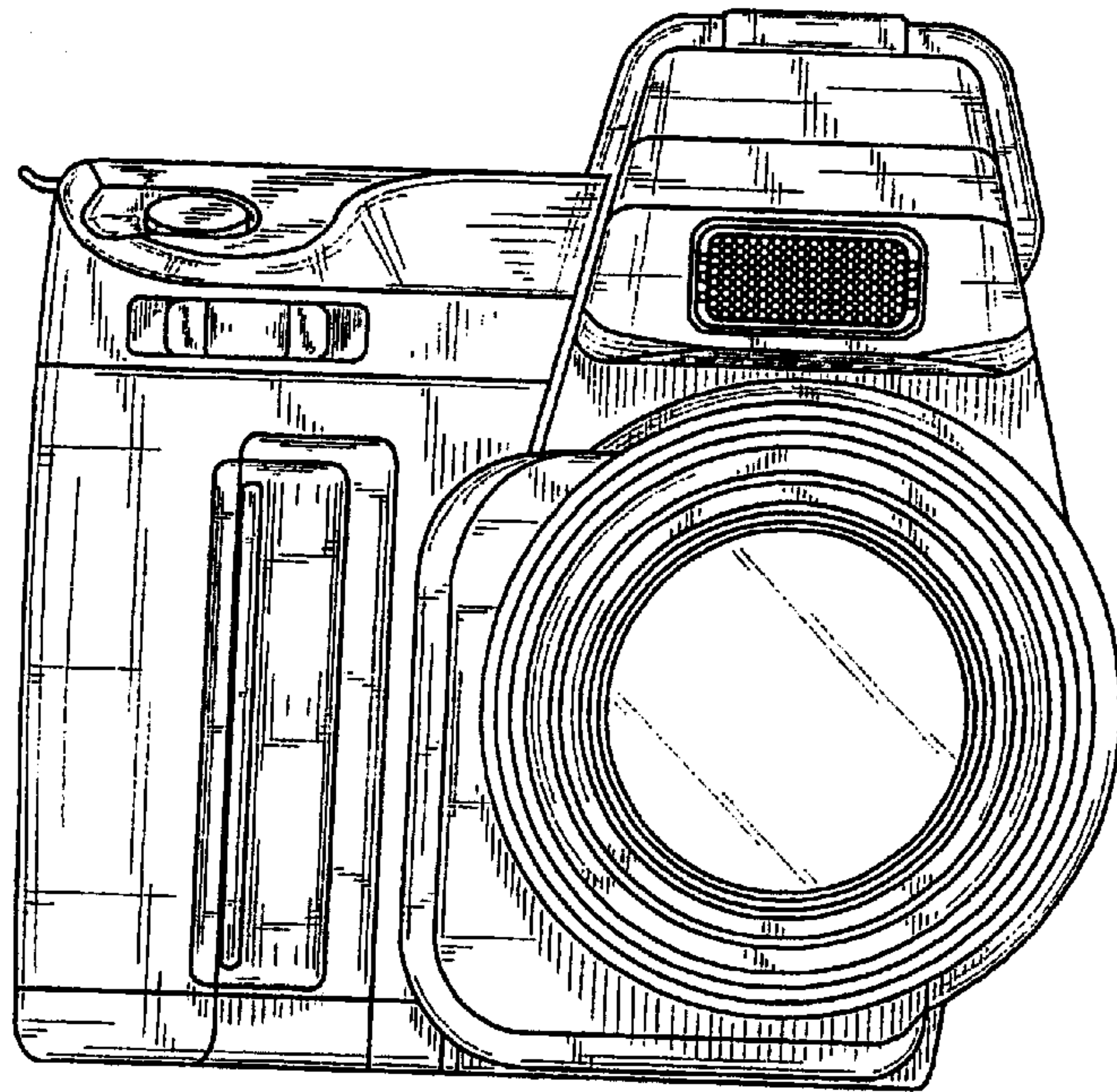


Fig. 6

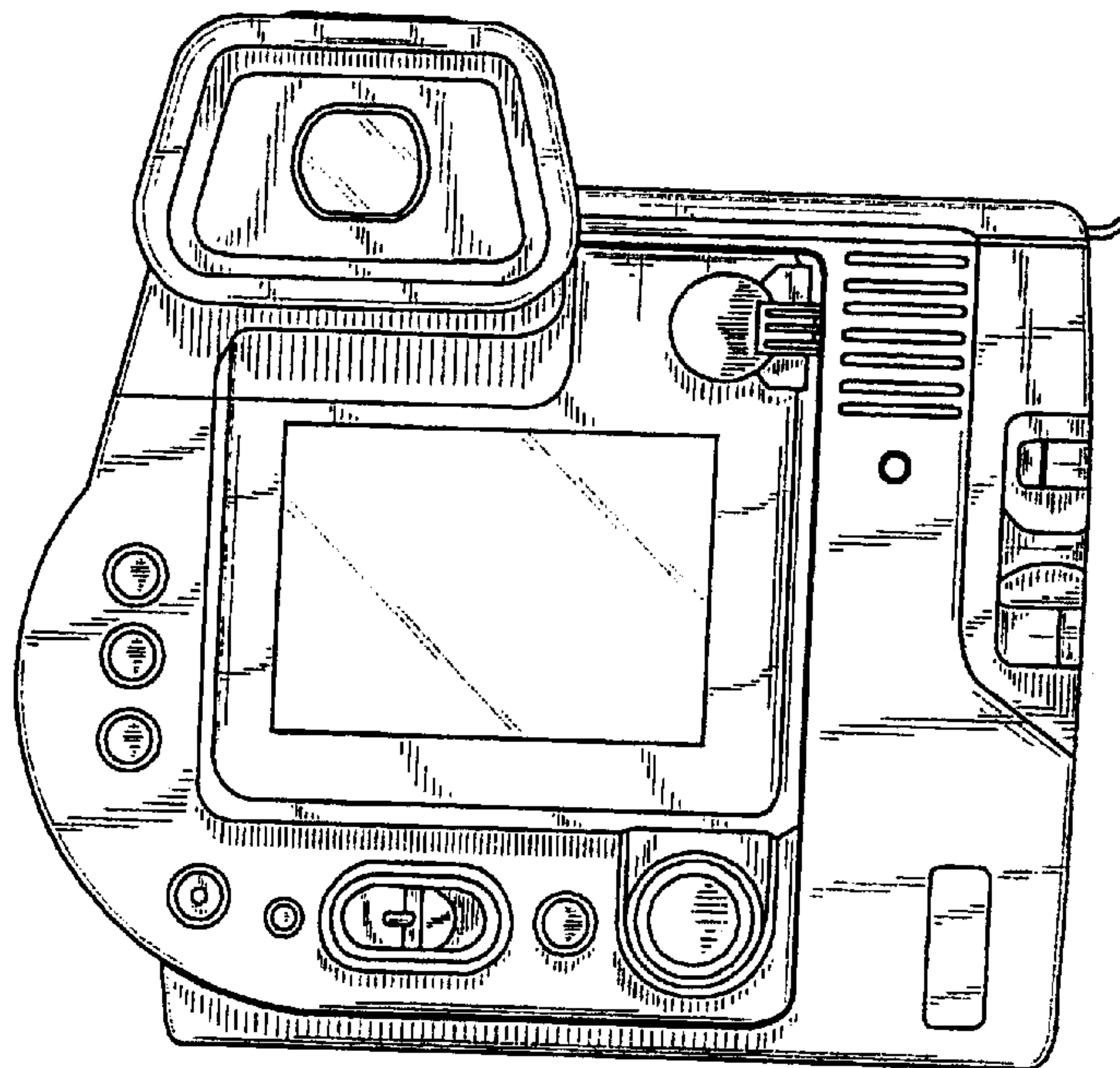


Fig. 7