



US00D456033S

(12) **United States Design Patent**
Boyer et al.

(10) **Patent No.:** **US D456,033 S**

(45) **Date of Patent:** **** Apr. 23, 2002**

(54) **WELDING TOOL**

D363,298 S * 10/1995 Tanaka D15/144

(75) Inventors: **Jean-Noël Boyer**, Meetray; **Olivier Tiberghien**, Semblancay; **Daniel Chevassu**, Chateau Du Loir, all of (FR)

* cited by examiner

Primary Examiner—Antoine Duval Davis
(74) *Attorney, Agent, or Firm*—Cantor Colburn LLP

(73) Assignee: **ARO** (FR)

(**) Term: **14 Years**

(57) **CLAIM**

The ornamental design for a welding tool, as shown and described.

(21) Appl. No.: **29/129,919**

(22) Filed: **Sep. 25, 2000**

DESCRIPTION

(30) **Foreign Application Priority Data**

Mar. 23, 2000 (XH) DM/051 624

FIG. 1 is a front perspective view of a welding tool showing our new design;

(51) **LOC (7) Cl.** **15-09**

FIG. 2 is a rear perspective view thereof;

(52) **U.S. Cl.** **D15/144**

FIG. 3 is an bottom view thereof;

(58) **Field of Search** D15/144, 144.1,
D15/144.2; 219/86.21, 86.33

FIG. 4 is a top view thereof;

FIG. 5 is a rear view thereof;

FIG. 6 is a front view thereof; and,

FIG. 7 is a left elevational view thereof.

(56) **References Cited**

U.S. PATENT DOCUMENTS

D327,694 S * 7/1992 Tanaka D15/144

1 Claim, 4 Drawing Sheets

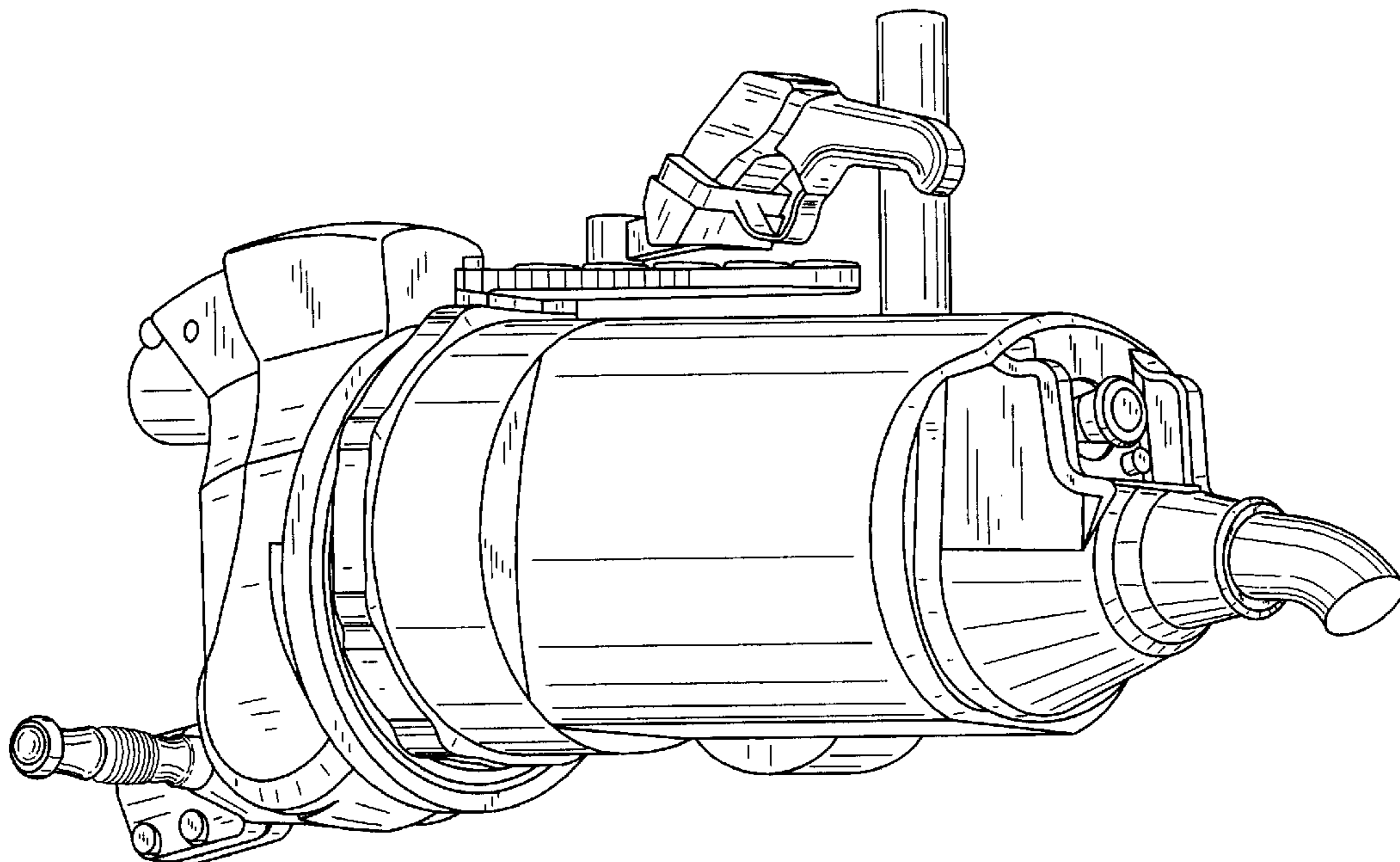


FIG. 1

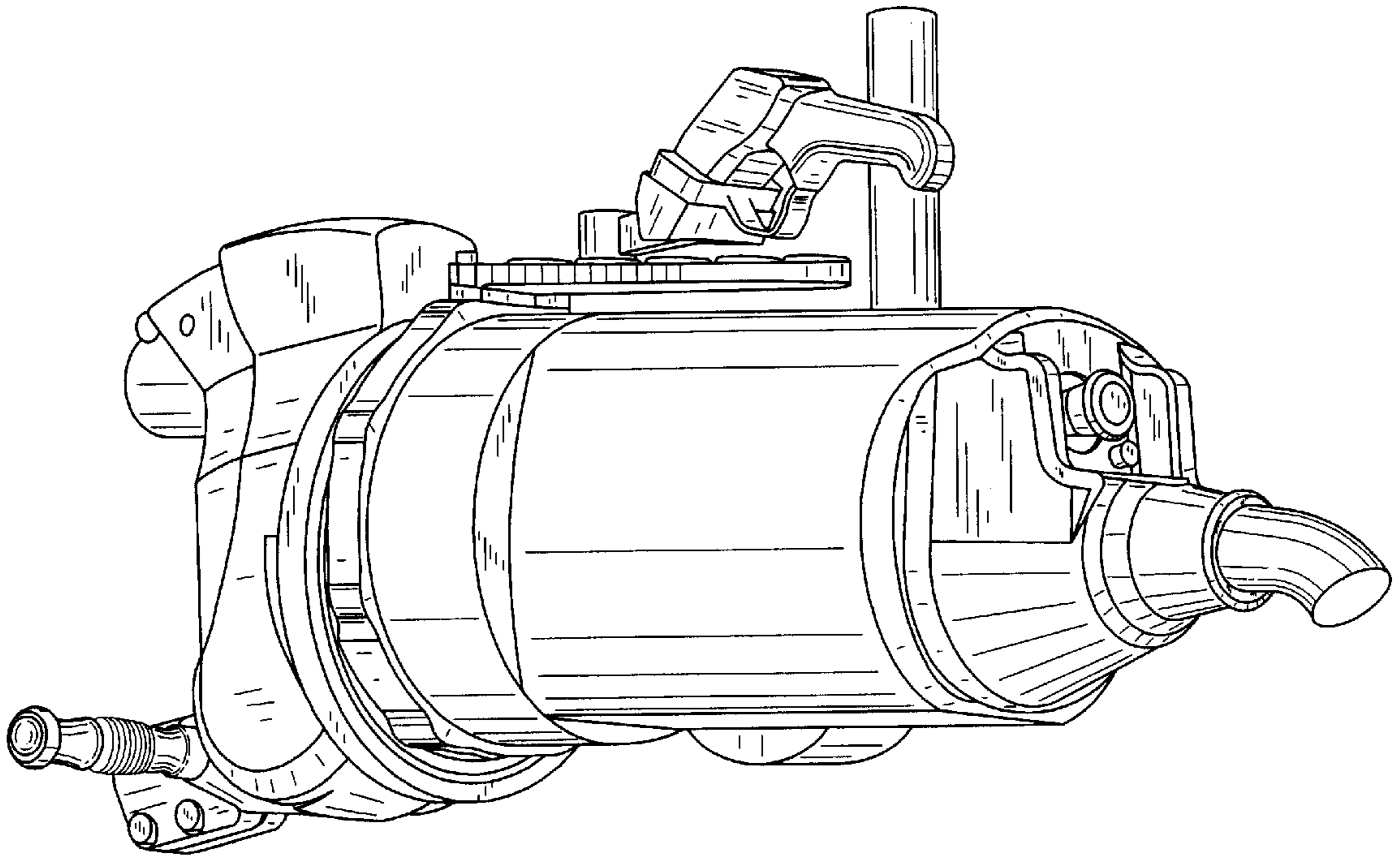


FIG. 2

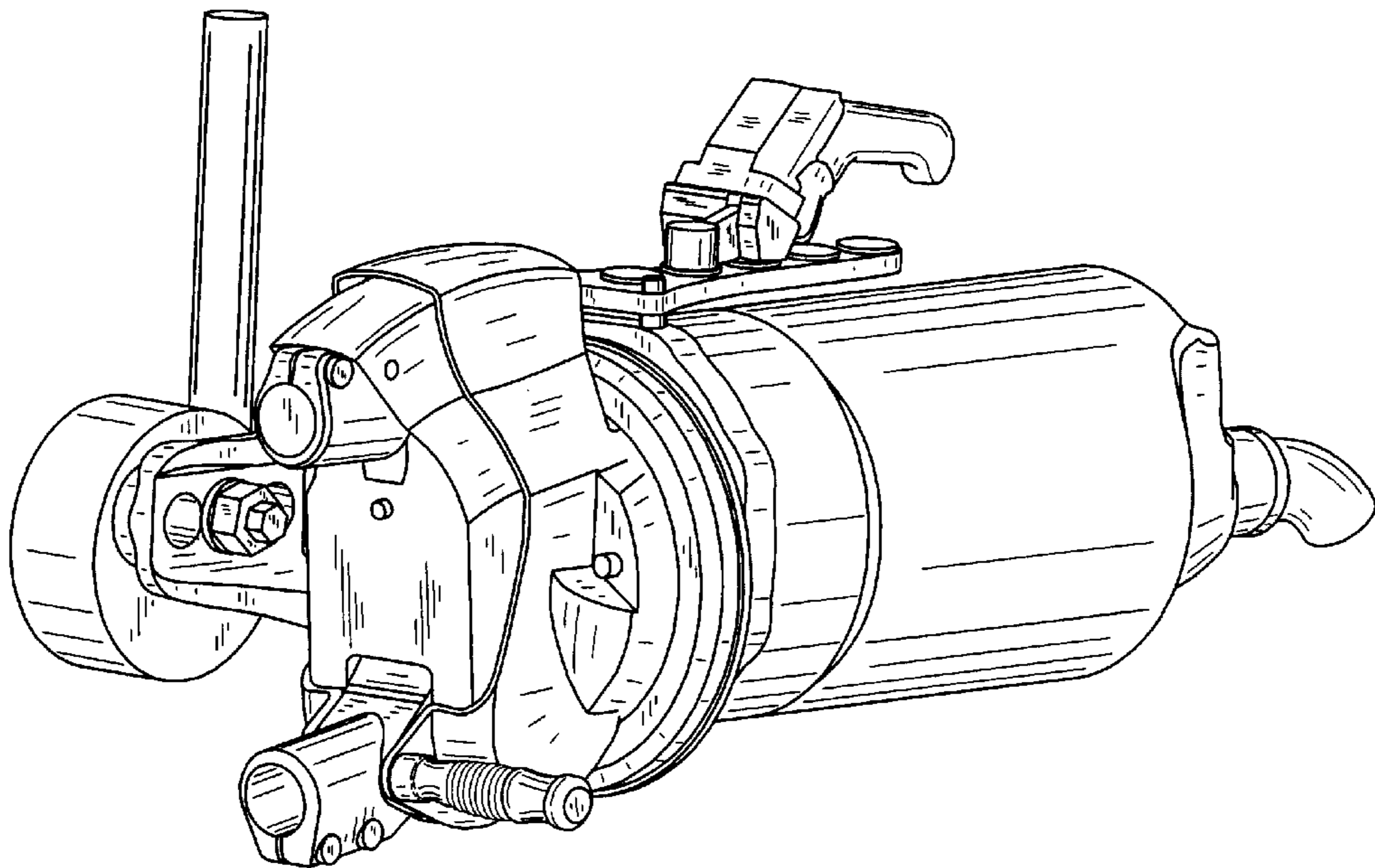


FIG. 3

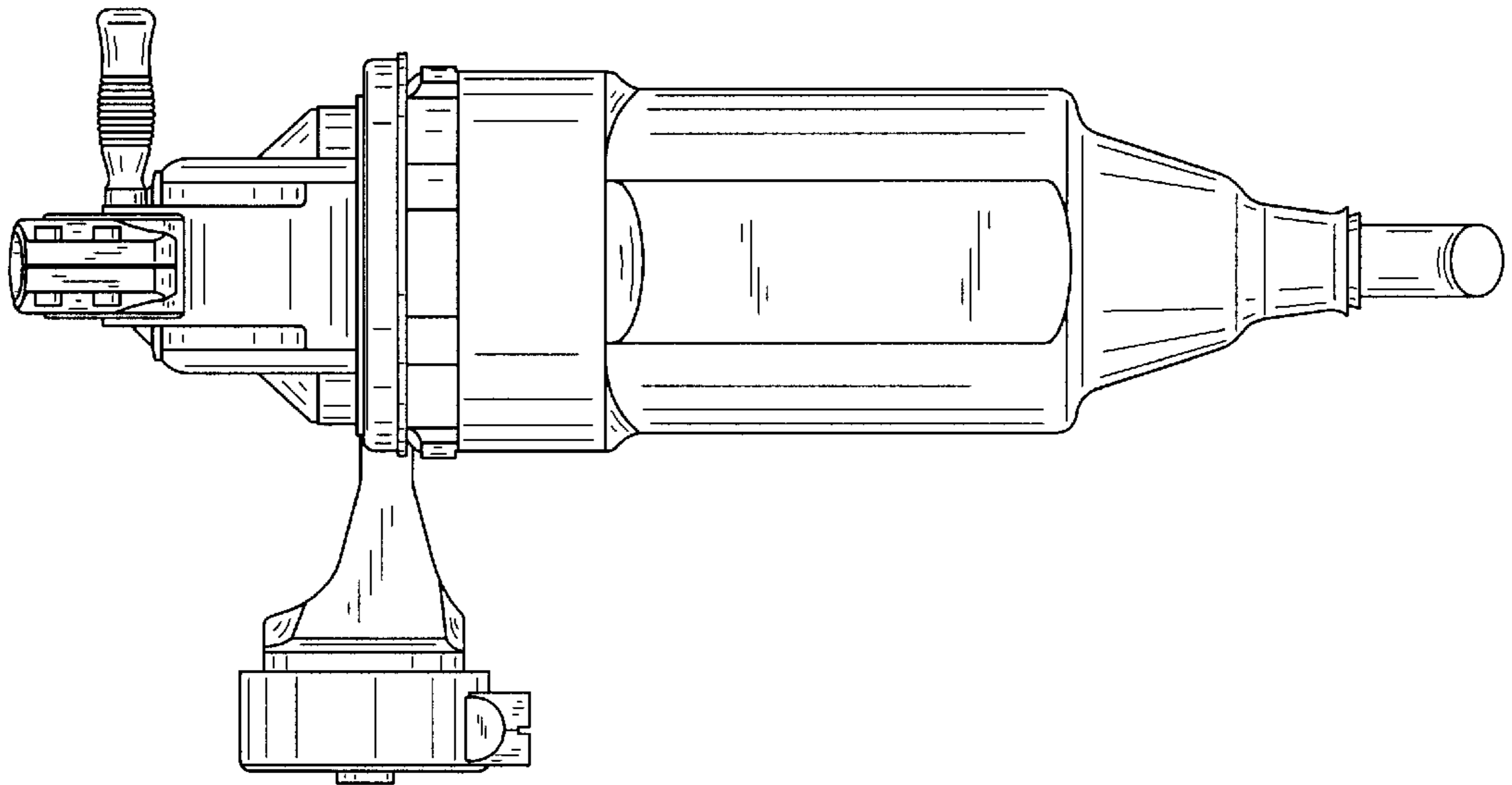


FIG. 4

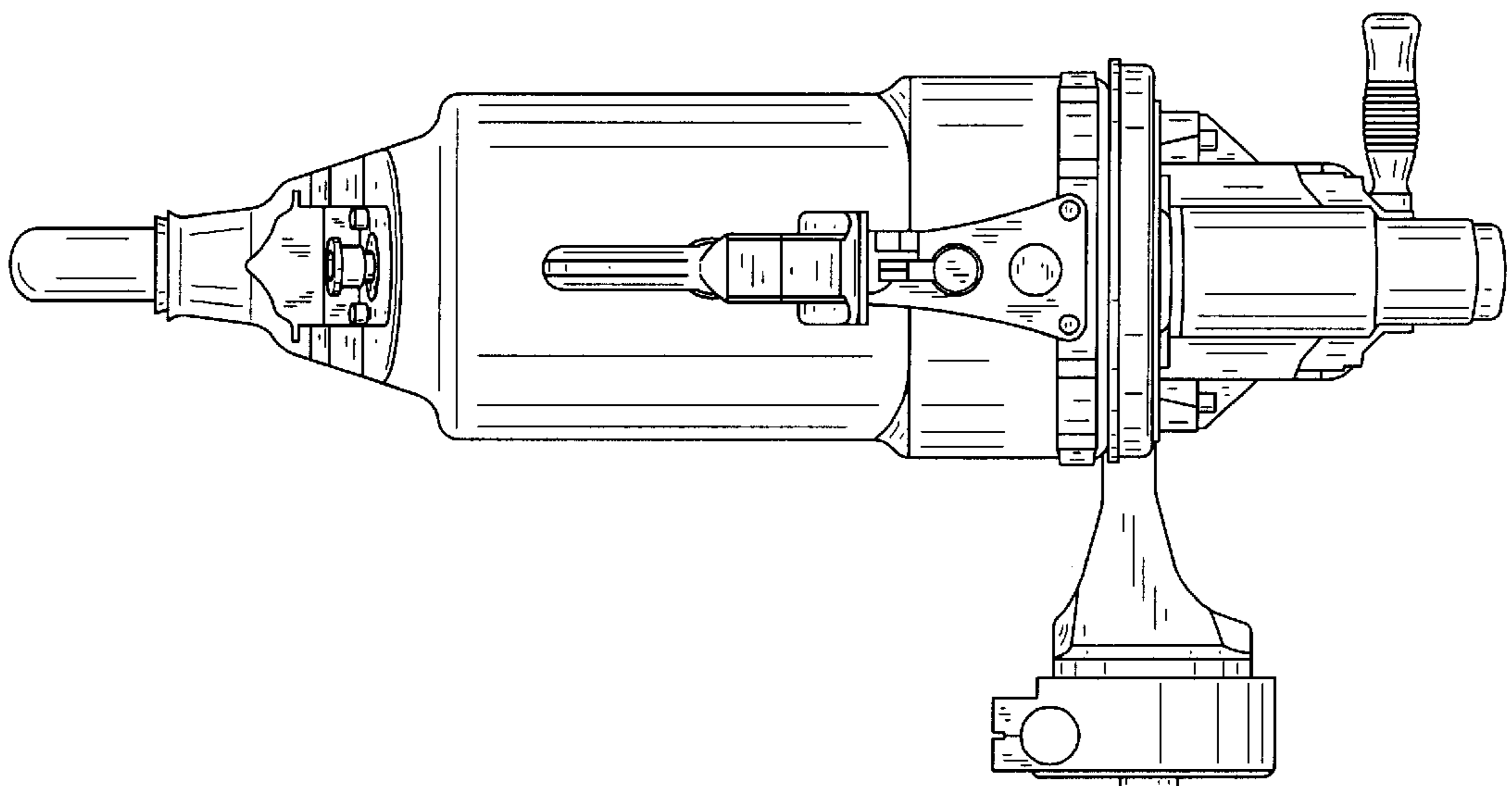


FIG. 5

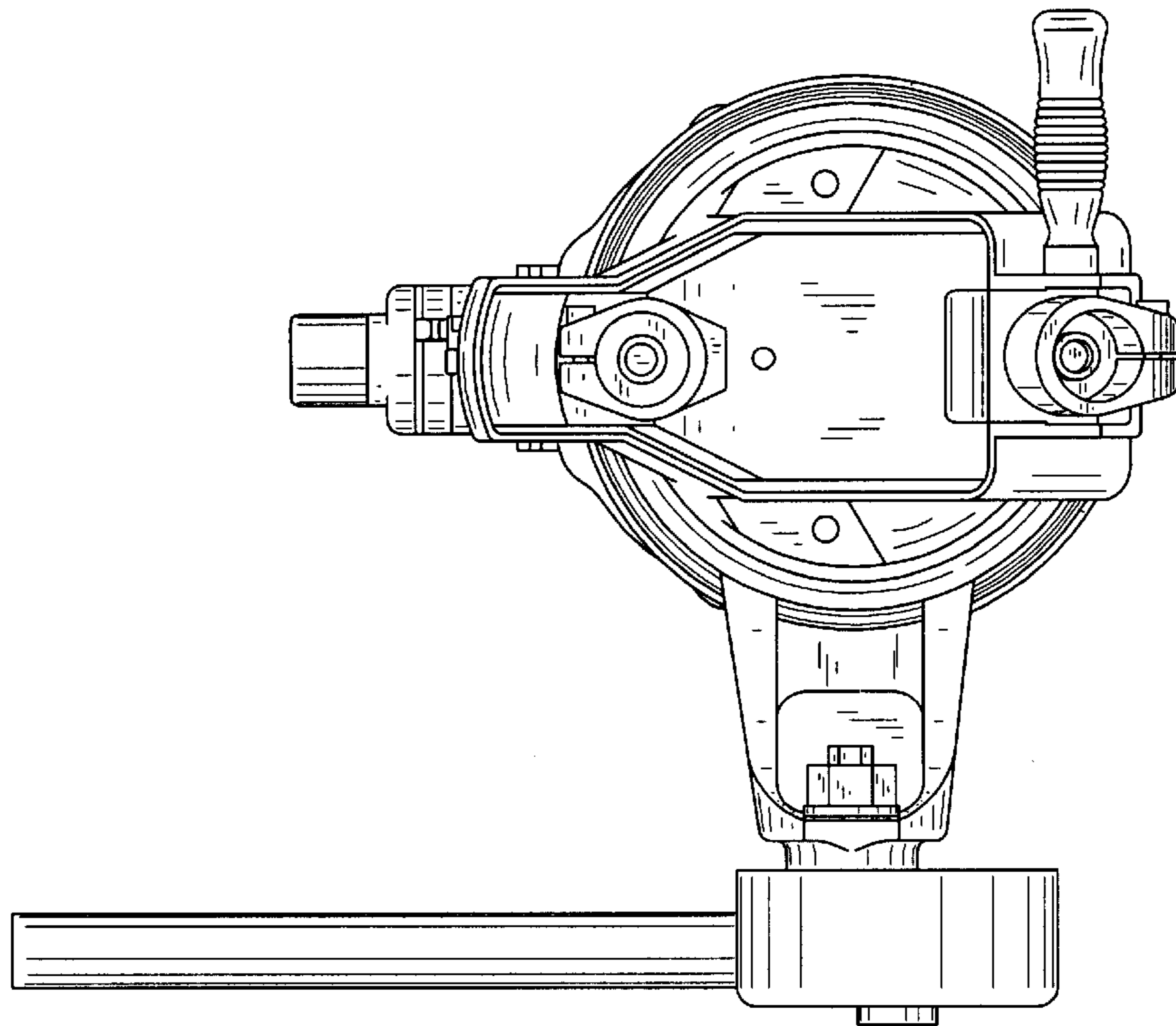


FIG. 6

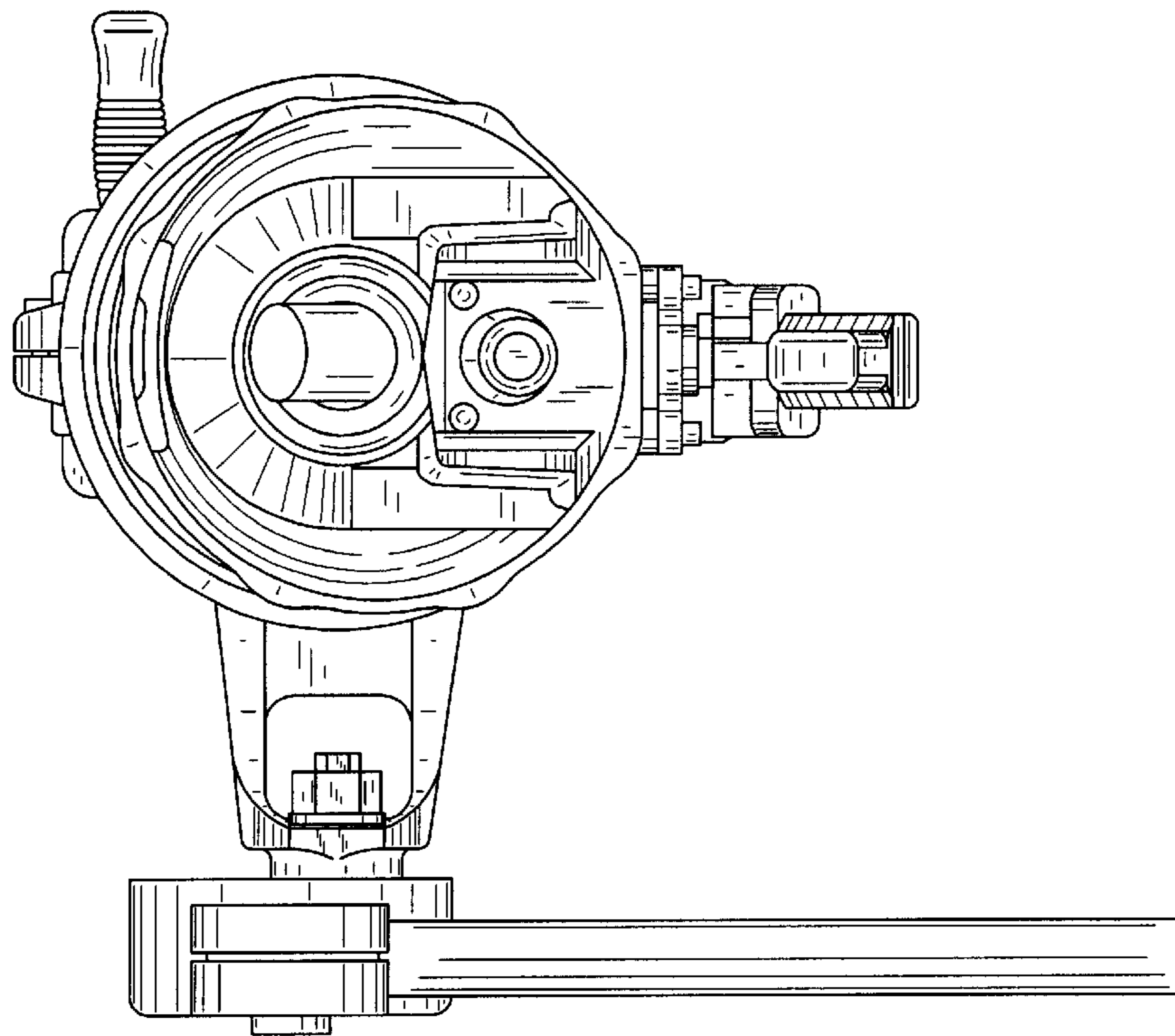


FIG. 7

