



US00D456026S

(12) **United States Design Patent**  
**Goto**

(10) **Patent No.:** **US D456,026 S**

(45) **Date of Patent:** **\*\* Apr. 23, 2002**

(54) **STOPPER CONNECTOR FOR A SUPPORTING BASE OF AN ARITHMETIC CONTROL UNIT**

(75) Inventor: **Teiyu Goto**, Tokyo (JP)

(73) Assignee: **Sony Computer Entertainment Inc.**, Tokyo (JP)

(\*\*) Term: **14 Years**

(21) Appl. No.: **29/123,688**

(22) Filed: **May 24, 2000**

(30) **Foreign Application Priority Data**

Jan. 18, 2000 (JP) ..... 2000-000501

(51) **LOC (7) Cl.** ..... **14-02**

(52) **U.S. Cl.** ..... **D14/447; D14/432**

(58) **Field of Search** ..... D14/432, 356, D14/388; D8/402, 349, 354, 380, 382, 400; D6/512, 524; D9/439; 138/89, 104, 96 R; 248/243, 250, 615, 235, 309.1, 312; 211/13.1, 86.01, 87.01, 94.02, 126.1, 134; 215/247, 249, 355

(56) **References Cited**

**U.S. PATENT DOCUMENTS**

D30,056 S \* 1/1899 Burrowes  
D289,796 S \* 5/1987 Larkin

D321,471 S \* 11/1991 Stumpf et al.  
D328,033 S \* 7/1992 DiGuseppi  
D328,419 S \* 8/1992 Brayford  
D335,231 S \* 5/1993 Bengtson  
D437,782 S \* 2/2001 Haley et al.  
6,189,573 B1 \* 2/2001 Ziehm  
D438,784 S \* 3/2001 Berger

**OTHER PUBLICATIONS**

“Trade Yellow Pages,” Trade Pages Group, 1999.

\* cited by examiner

*Primary Examiner*—M. H. Tung

(74) *Attorney, Agent, or Firm*—Rader, Fishman & Grauer, PLLC

(57) **CLAIM**

The ornamental design for a stopper connector for a supporting base of an arithmetic control unit, as shown and described.

**DESCRIPTION**

FIG. 1 is a perspective view of a stopper connector for a supporting base of an arithmetic control unit showing my design;

FIG. 2 is a front elevation view thereof, left side, right side and rear elevational views being the same image;

FIG. 3 is a top plan view thereof; and,

FIG. 4 is a bottom plan view thereof.

**1 Claim, 1 Drawing Sheet**

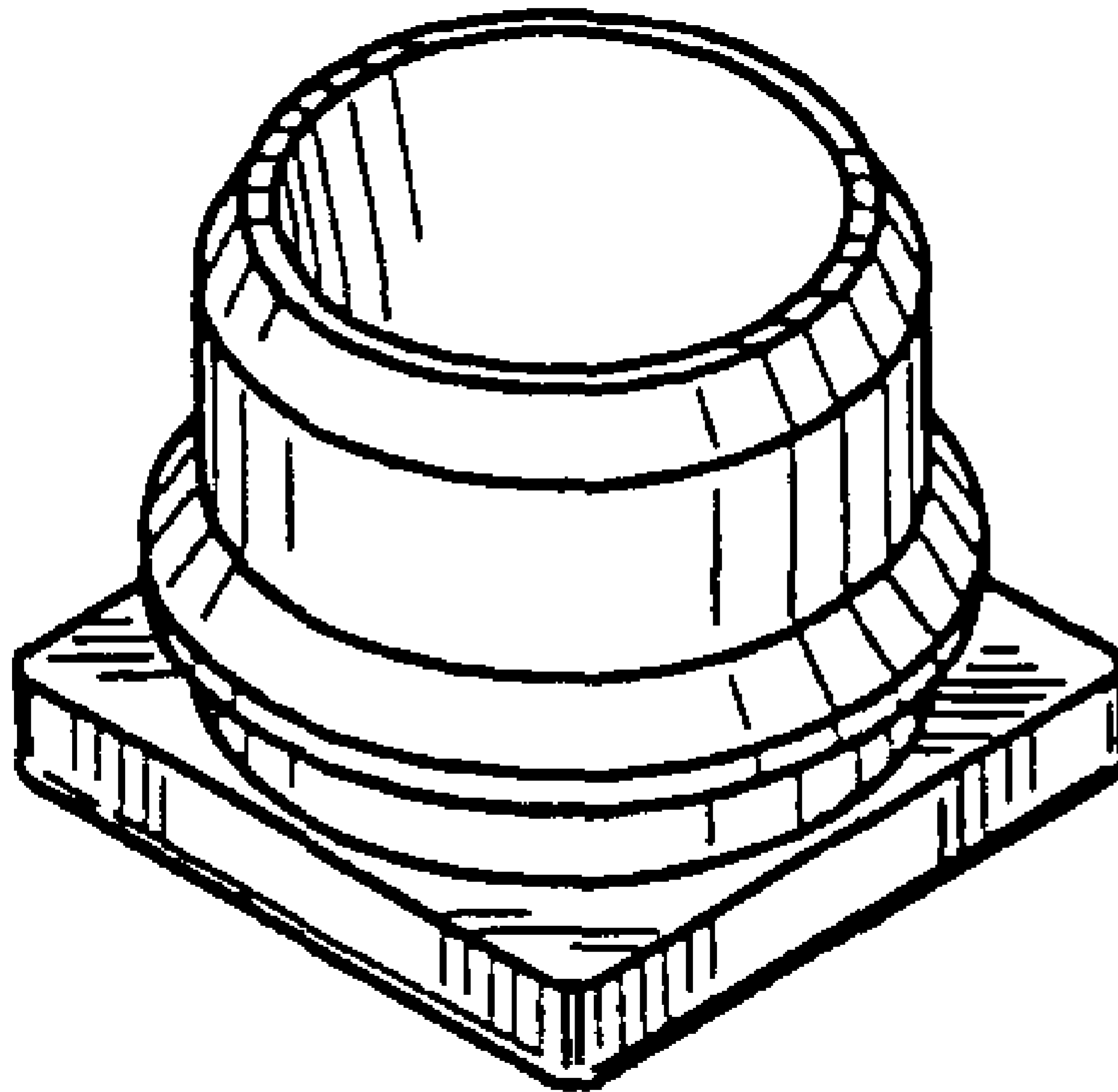


FIG. 2

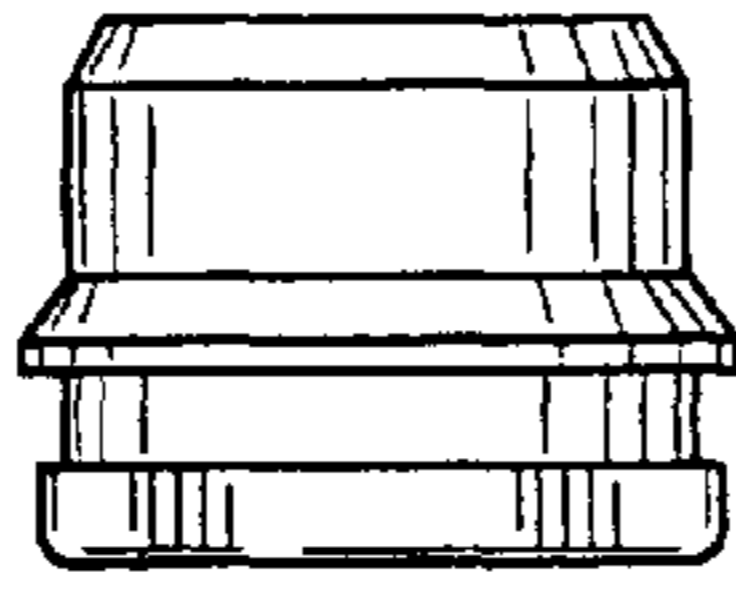


FIG. 3

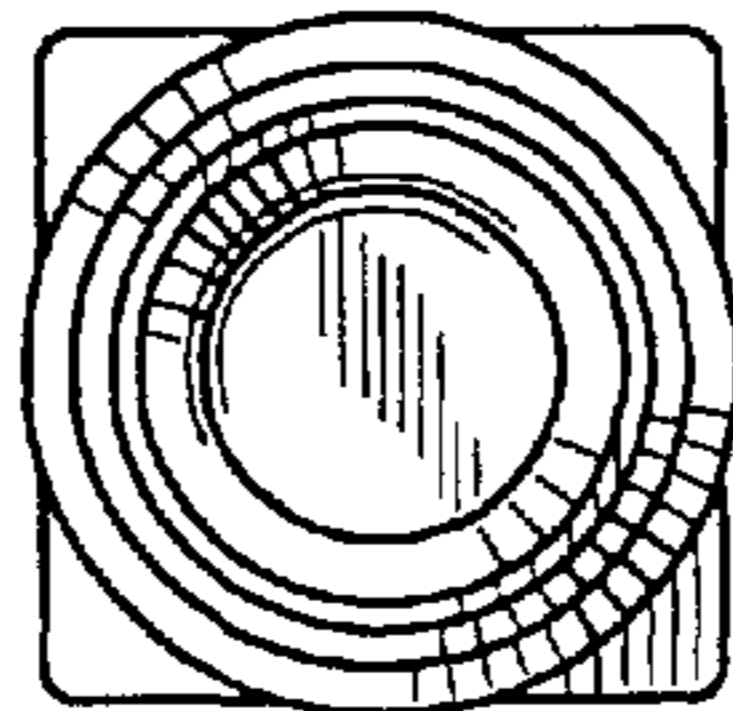


FIG. 4

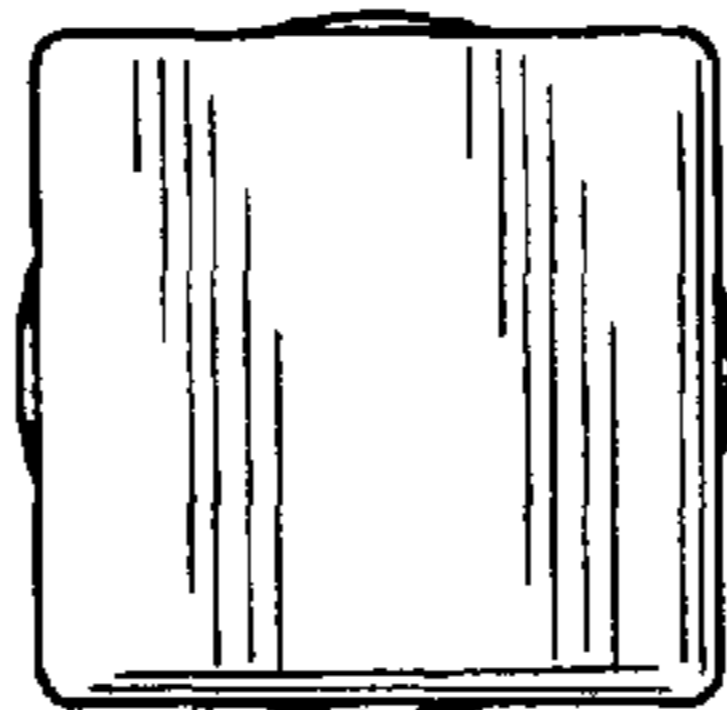


FIG. 1

