



US00D456023S

(12) **United States Design Patent**
Andre et al.

(10) **Patent No.:** **US D456,023 S**

(45) **Date of Patent:** **** Apr. 23, 2002**

(54) **DISPLAY**

(75) Inventors: **Bartley K. Andre**, Menlo Park; **Daniel J. Coster**, San Francisco; **Daniele De Iuliis**, San Francisco; **Richard P. Howarth**, San Francisco; **Jonathan P. Ive**, San Francisco; **Steven P. Jobs**, Palo Alto; **Duncan Robert Kerr**, San Francisco; **Matthew Dean Rohrbach**, San Francisco; **Douglas B. Satzger**, San Carlos; **Calvin Q. Seid**, Palo Alto; **Christopher J. Stringer**, Pacifica; **Eugene Anthony Whang**, San Francisco, all of CA (US)

(73) Assignee: **Apple Computer, Inc.**, Cupertino, CA (US)

(**) Term: **14 Years**

(21) Appl. No.: **29/126,455**

(22) Filed: **Jul. 17, 2000**

(51) **LOC (7) Cl.** **14-02**

(52) **U.S. Cl.** **D14/375**

(58) **Field of Search** D14/371, 374, D14/375, 376, 125-129; 345/104, 133, 156, 168, 173, 87; 348/180, 184, 325, 739; 248/917-924; 341/12; 349/1, 2, 11, 62

(56) **References Cited**

U.S. PATENT DOCUMENTS

D323,324 S * 1/1992 Suda D14/125
D388,077 S * 12/1997 Starck D14/126
D414,164 S * 9/1999 Rorke et al. D14/374

* cited by examiner

Primary Examiner—Freda Nunn

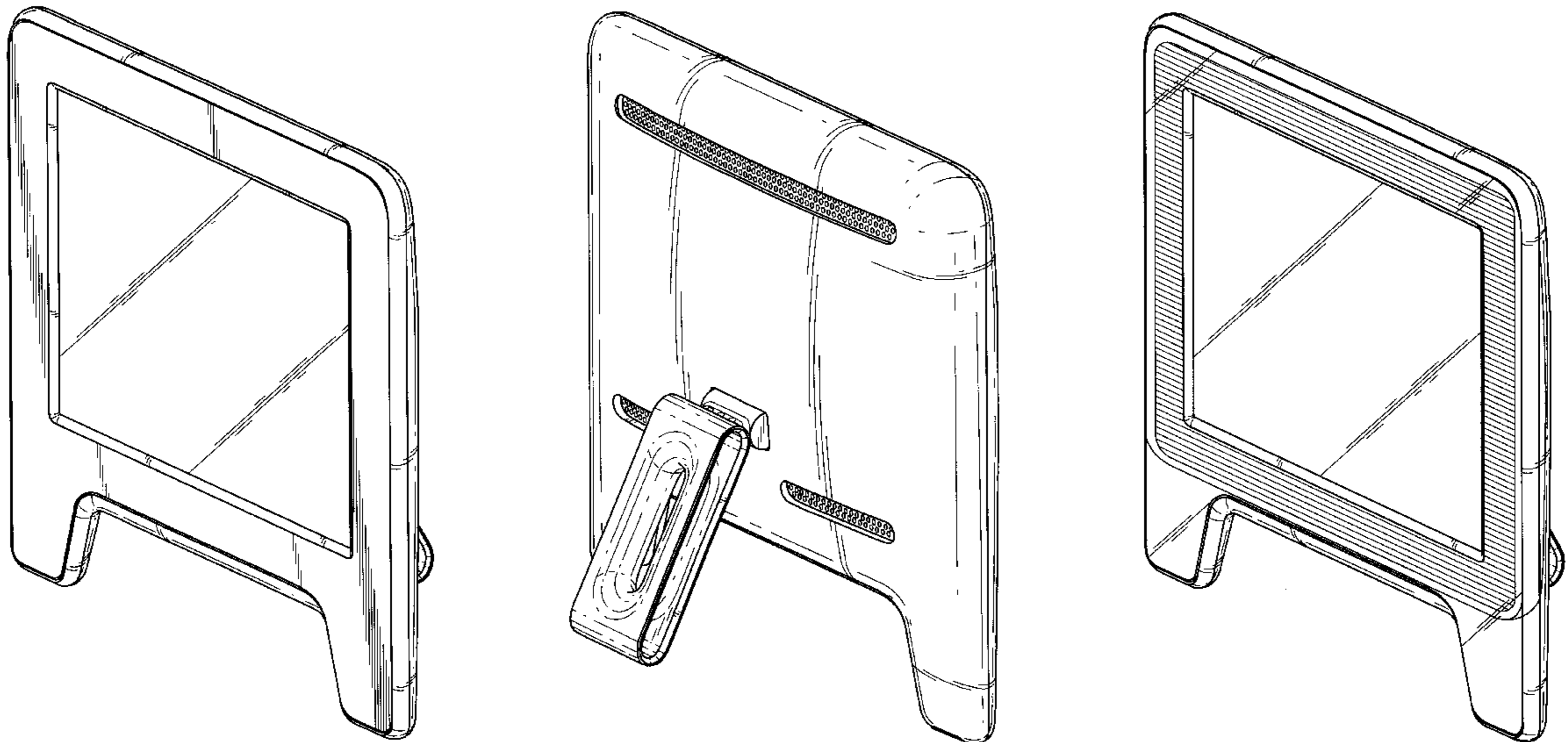
(57) **CLAIM**

The ornamental design for a display, as shown and described.

DESCRIPTION

FIG. 1 is a perspective view of a display;
FIG. 2 is another perspective view thereof;
FIG. 3 is a front view thereof;
FIG. 4 is a top view thereof;
FIG. 5 is a side view thereof;
FIG. 6 is a bottom view thereof;
FIG. 7 is a rear view thereof;
FIG. 8 is a perspective view of another embodiment of the present invention;
FIG. 9 is a front view of the embodiment shown in FIG. 8; and,
FIG. 10 is a side view of the embodiment shown in FIG. 8.

1 Claim, 7 Drawing Sheets



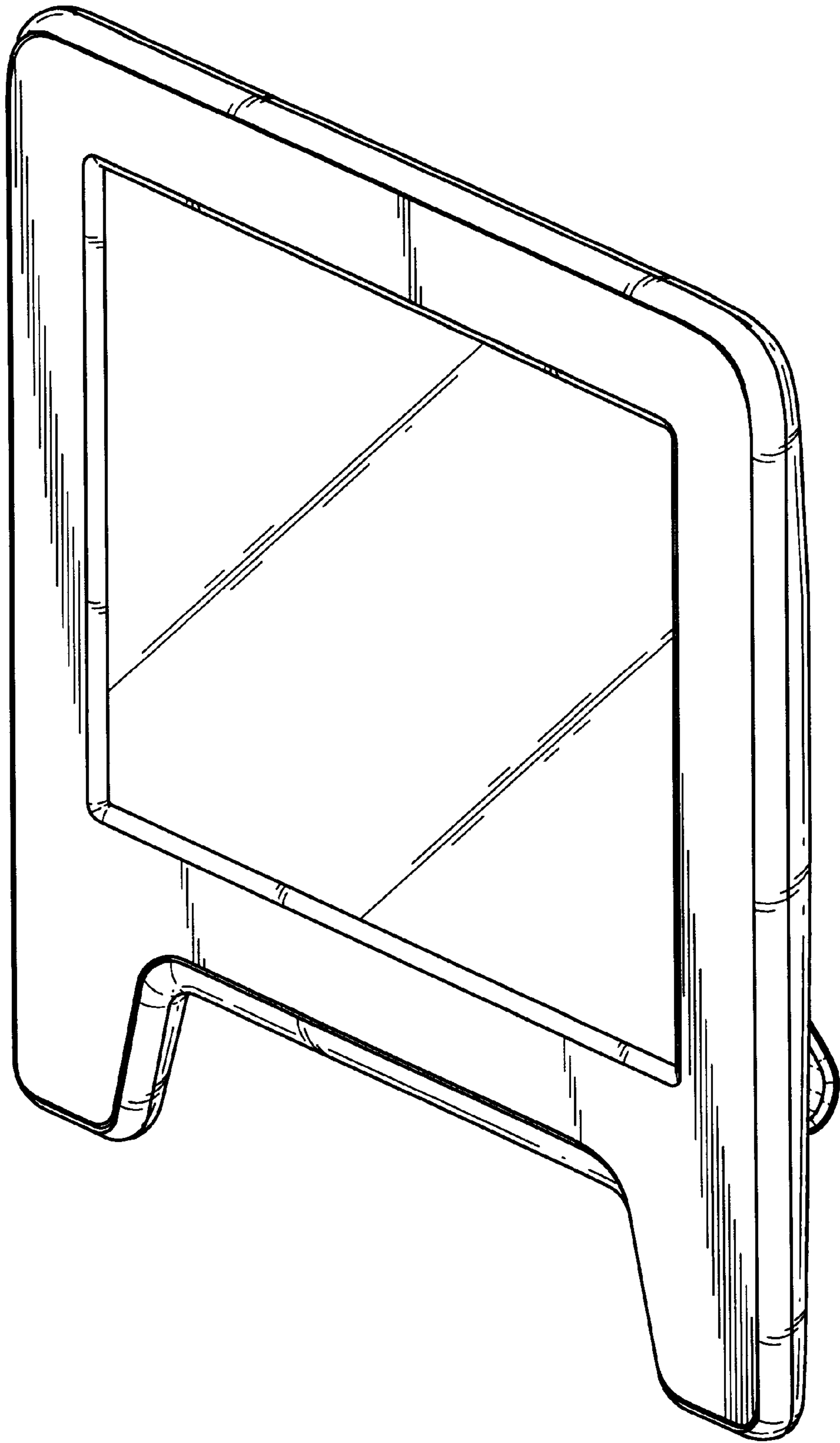


FIG. 1

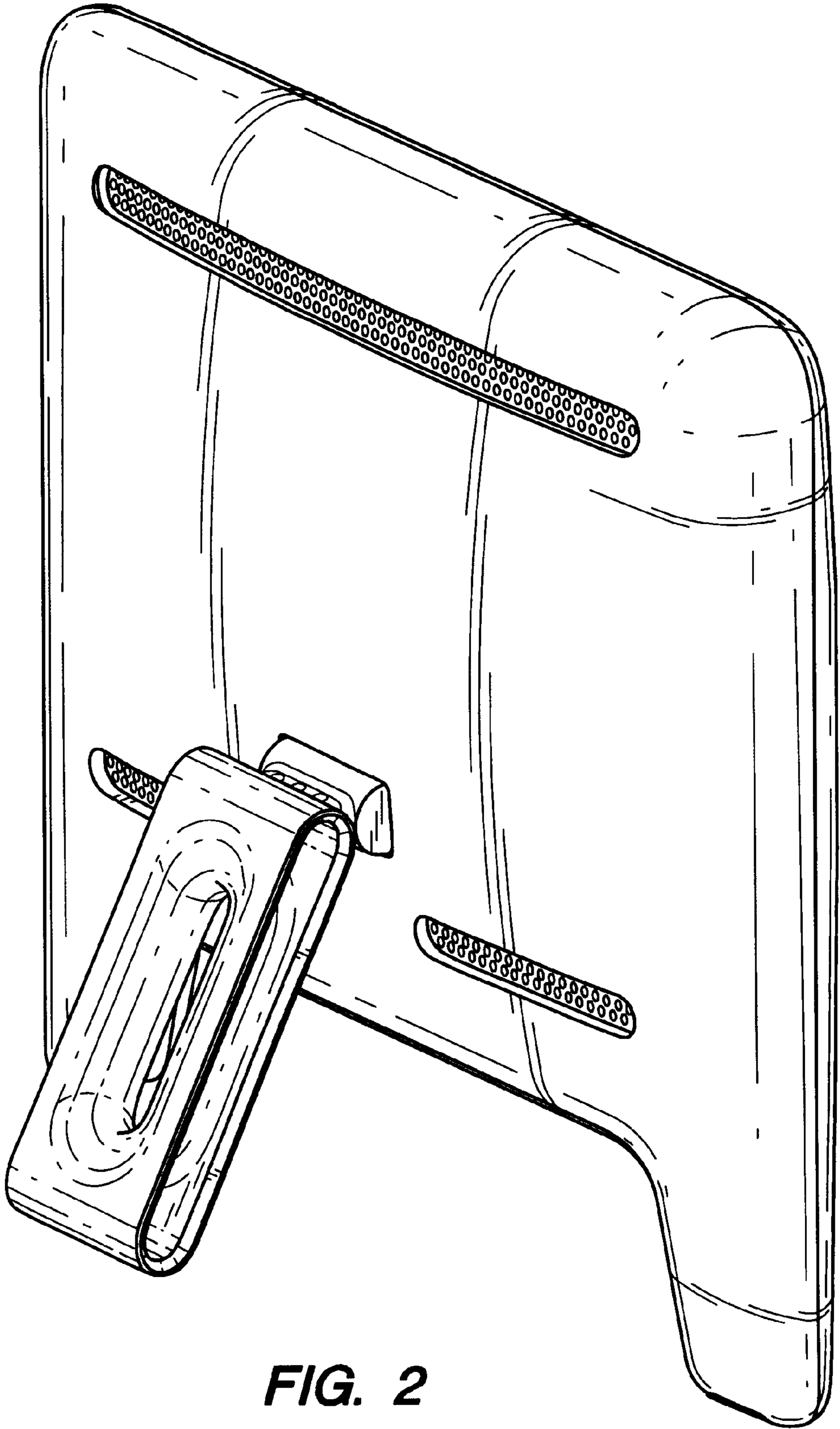


FIG. 2

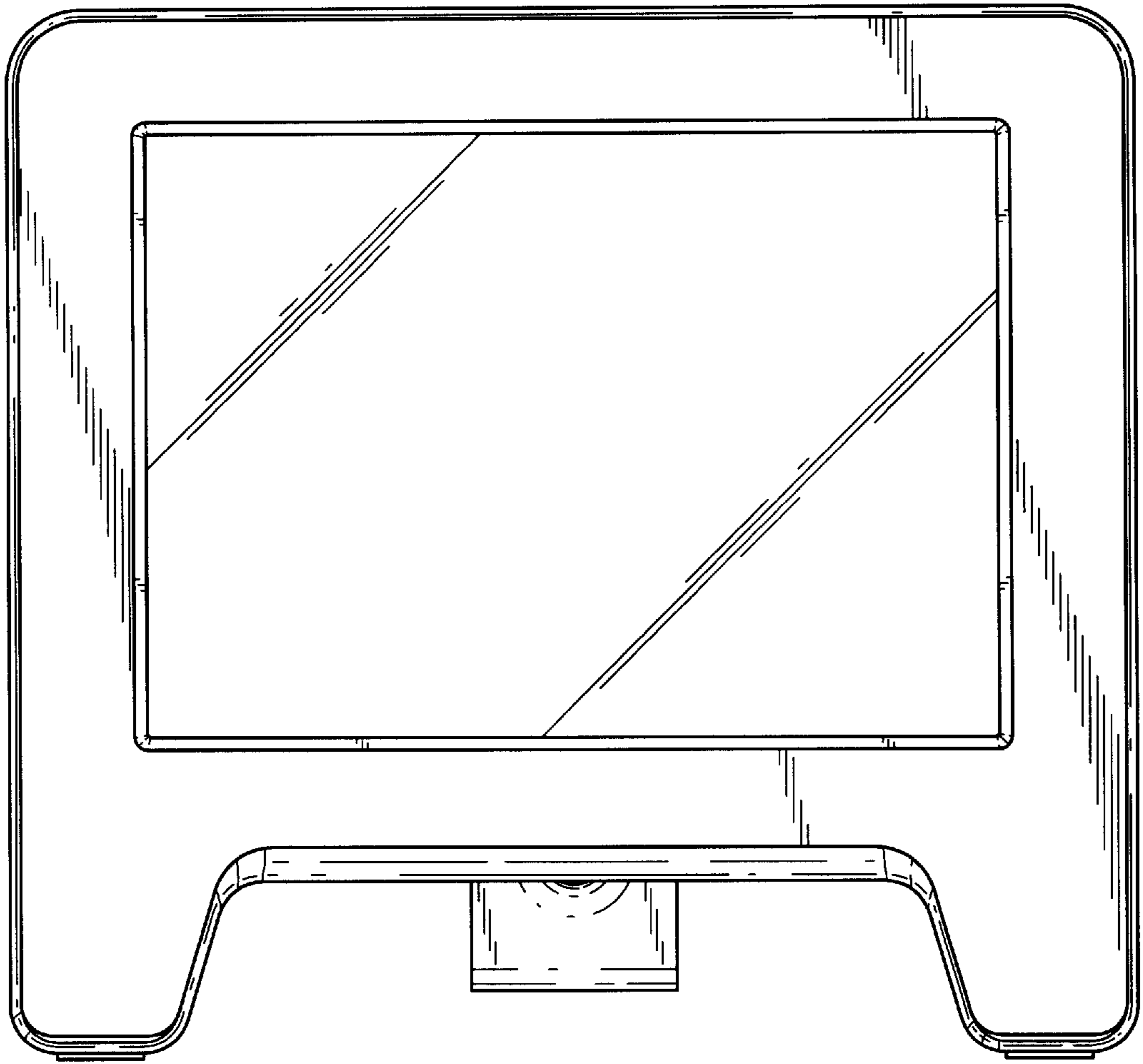


FIG. 3

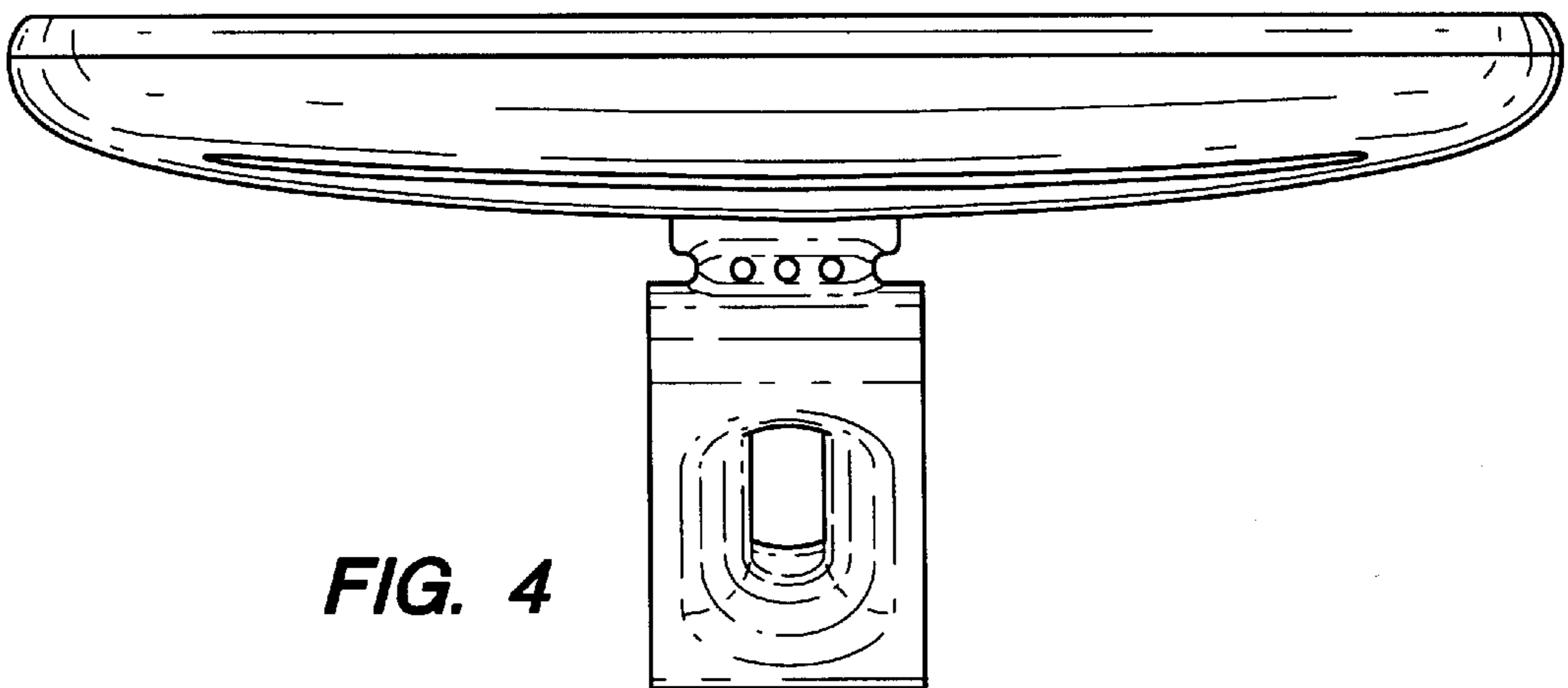


FIG. 4

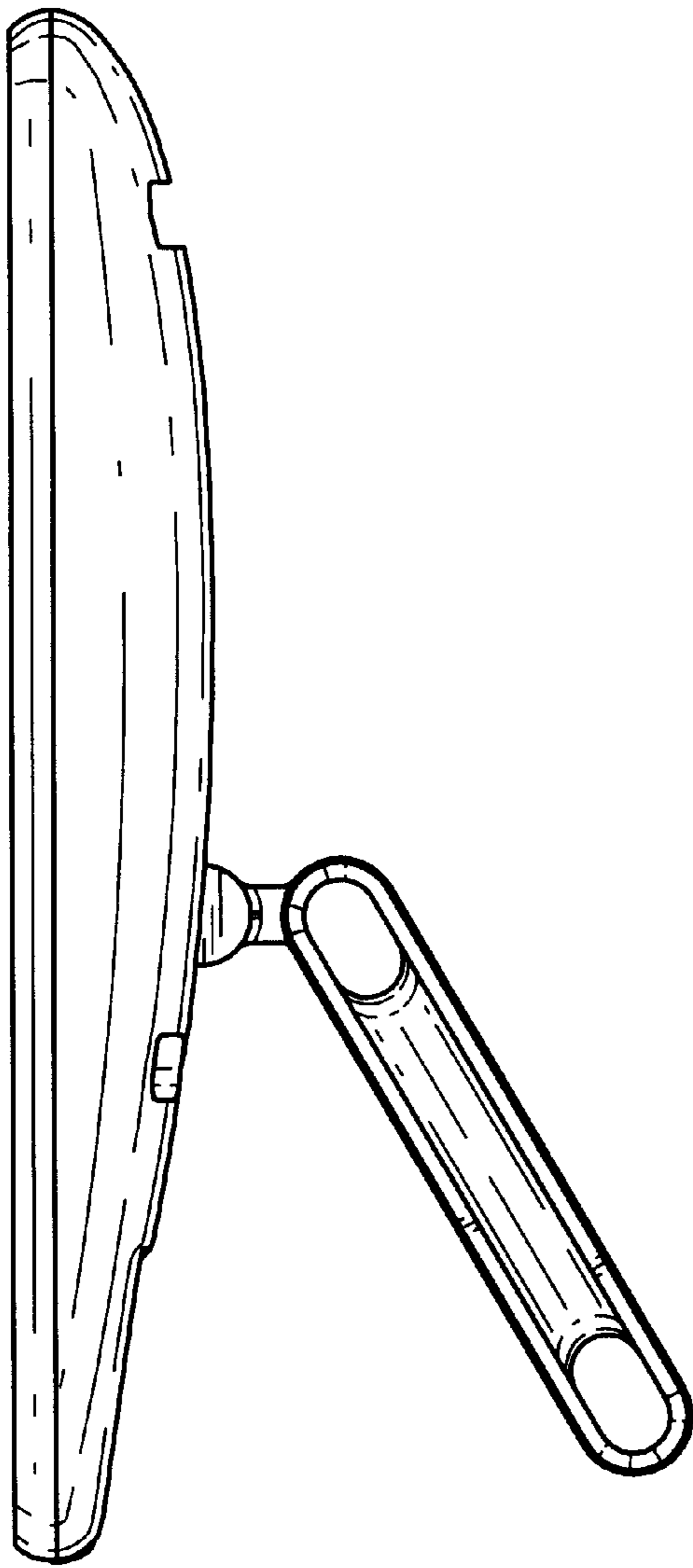


FIG. 5

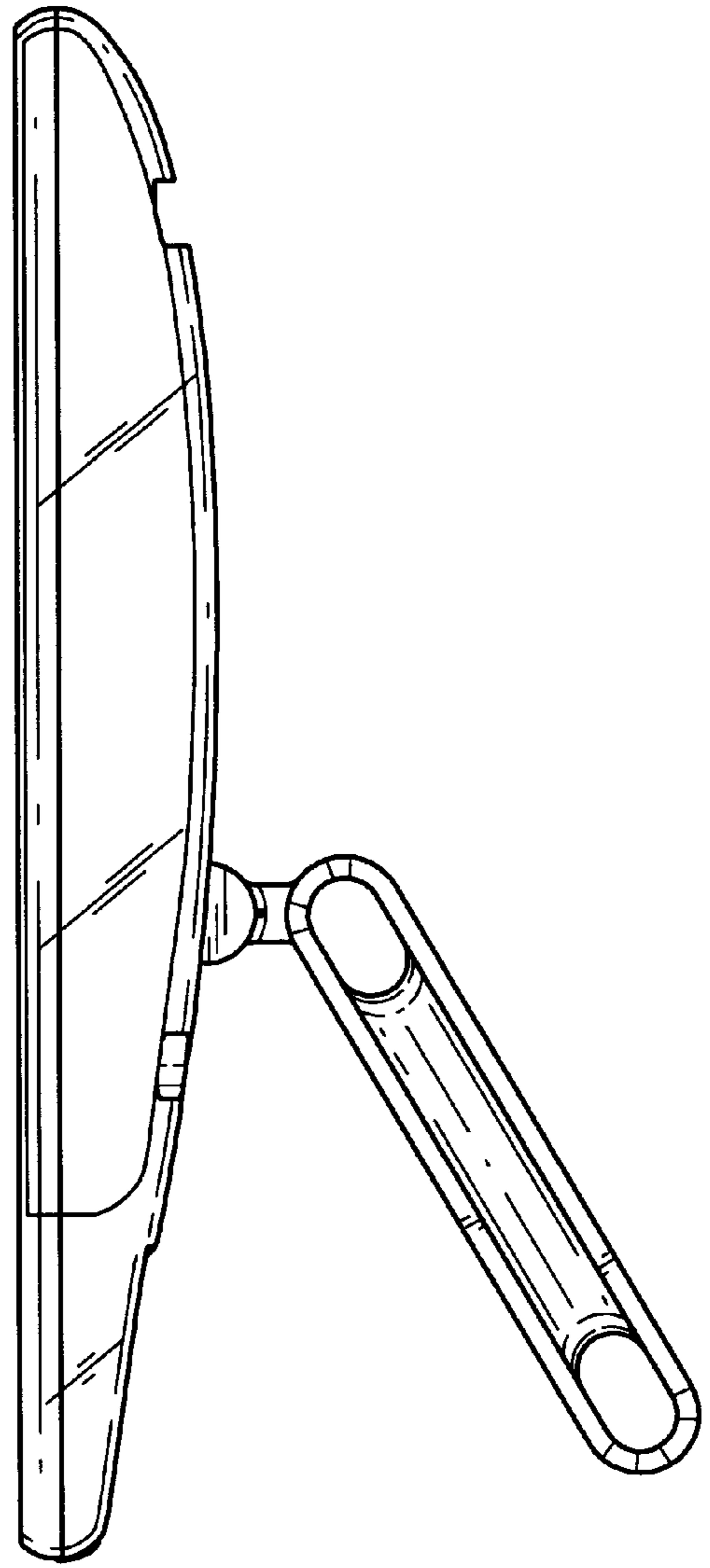
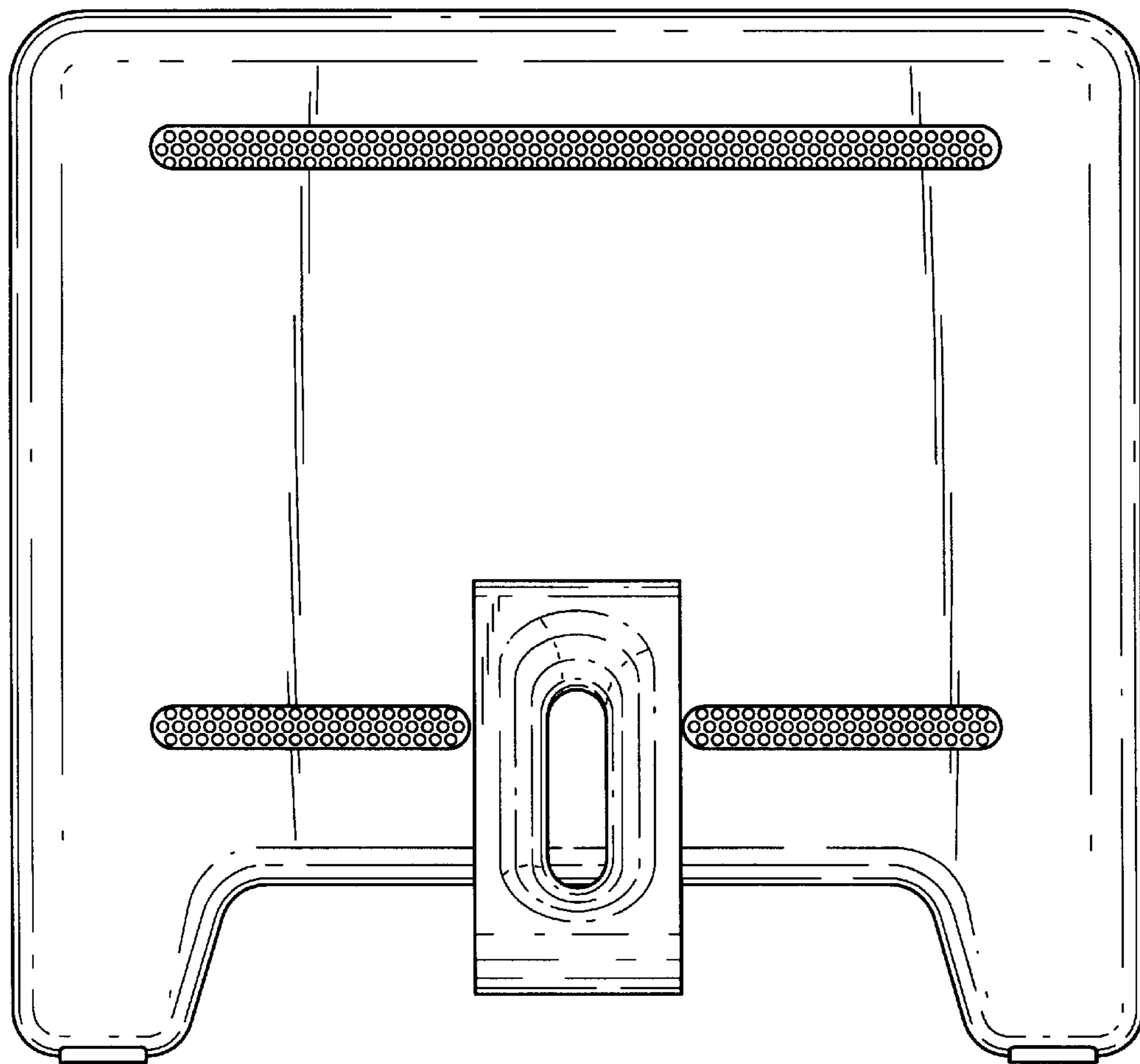
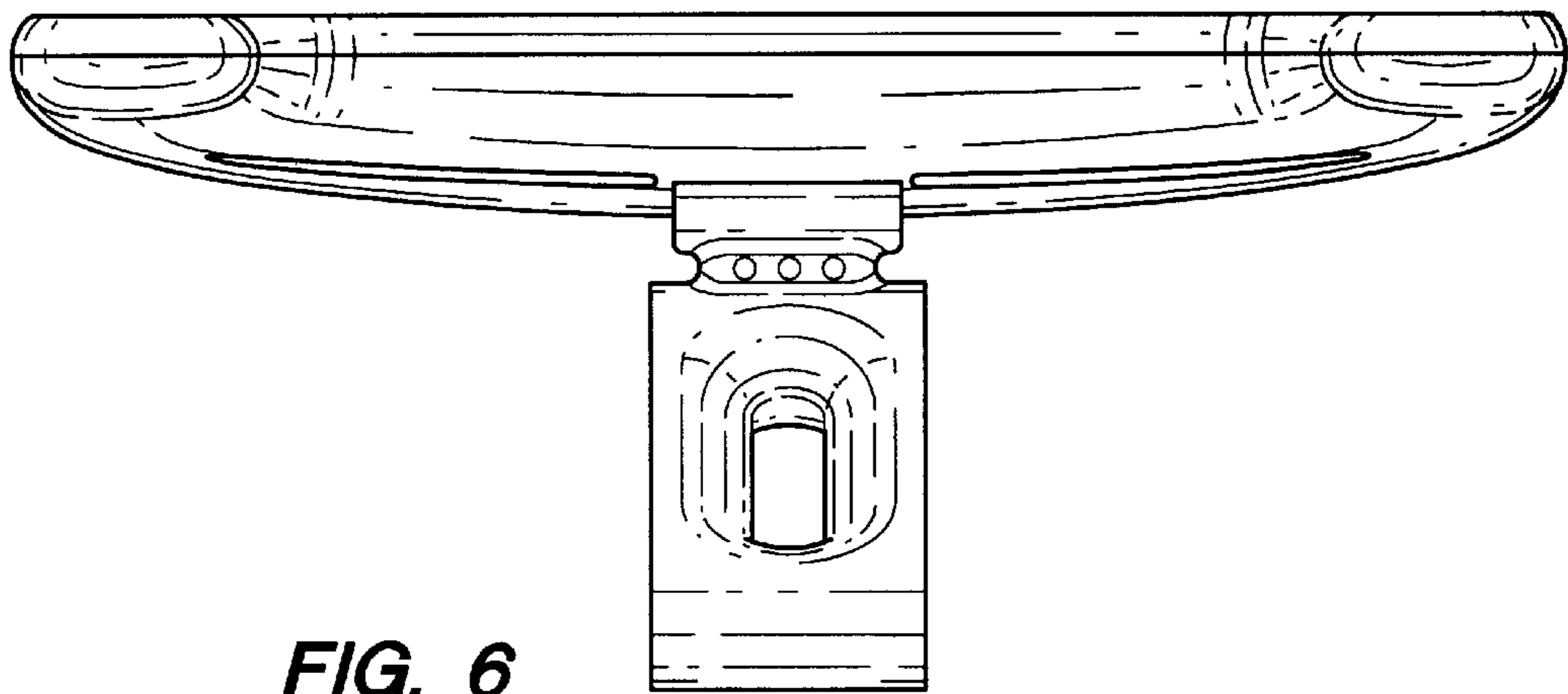


FIG. 10



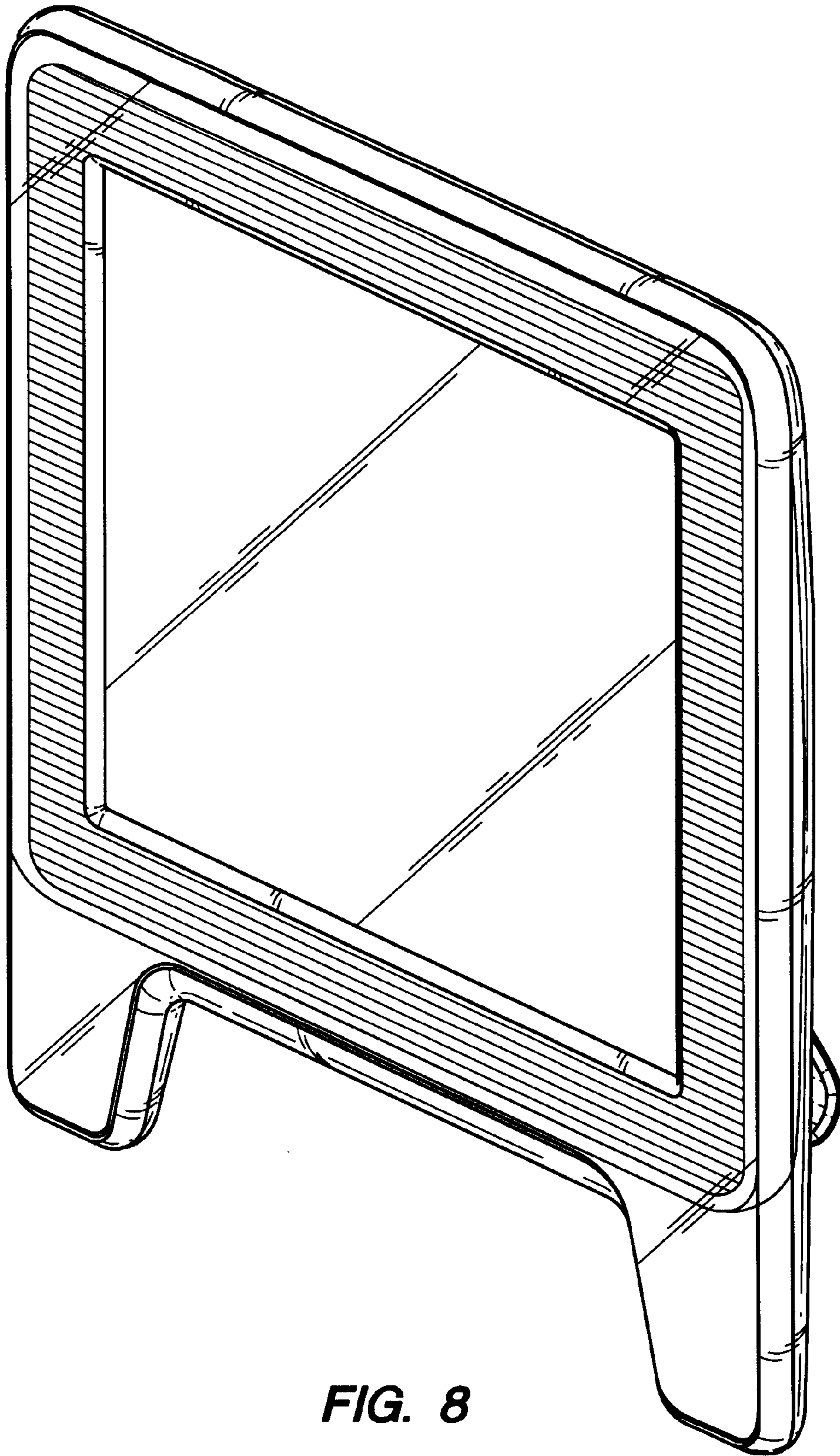


FIG. 8

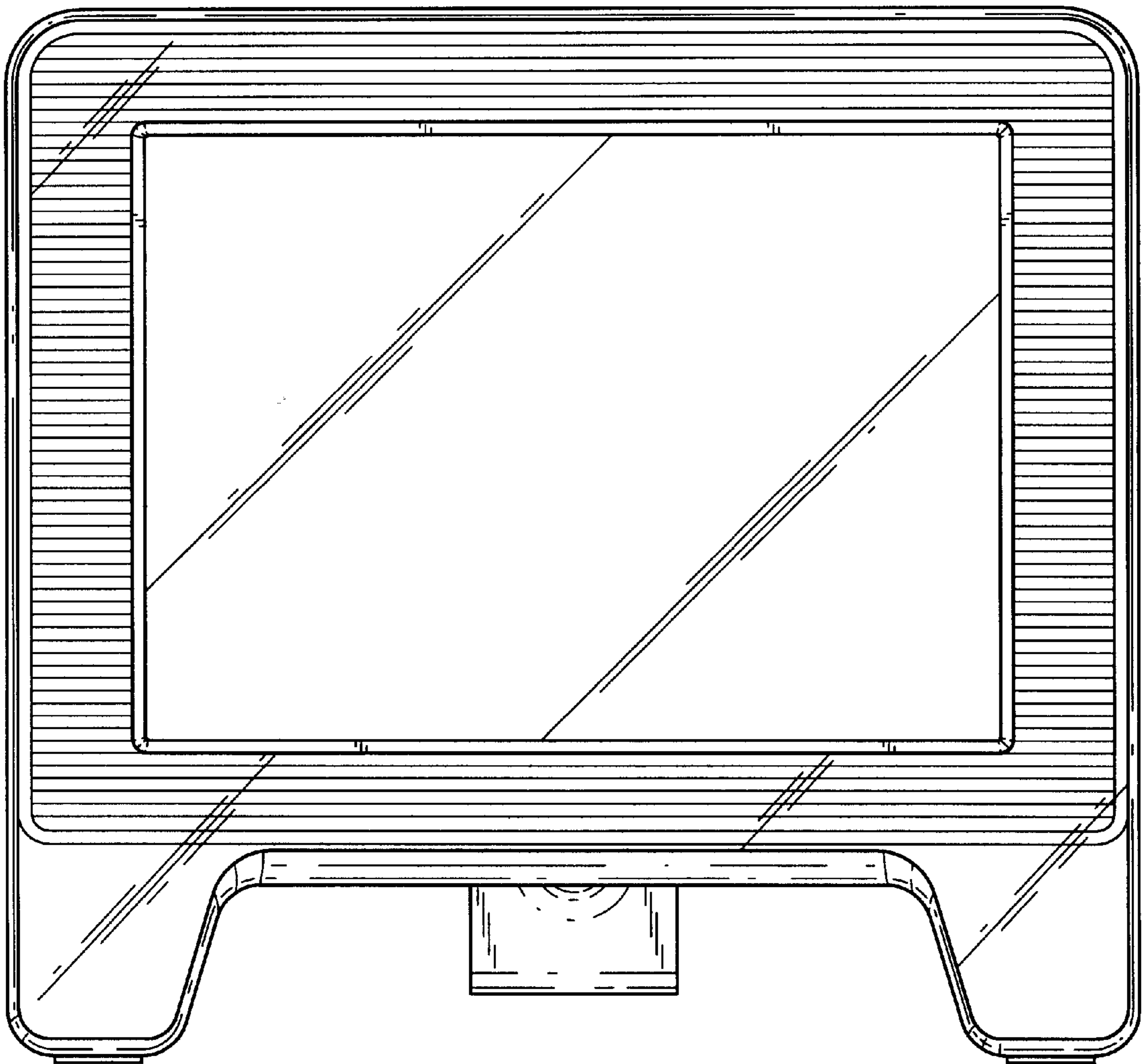


FIG. 9