



US00D456021S

(12) **United States Design Patent**  
**Komatsu**

(10) **Patent No.:** **US D456,021 S**

(45) **Date of Patent:** **\*\* Apr. 23, 2002**

(54) **ELECTRONIC IMAGE DATA INPUT/  
OUTPUT APPARATUS**

D338,453 S \* 8/1993 Martin ..... D14/351  
D413,894 S \* 9/1999 Matthews et al. .... D14/240  
D434,411 S \* 11/2000 Chen ..... D14/301

(75) Inventor: **Hiroshi Komatsu**, Yokohama (JP)

\* cited by examiner

(73) Assignee: **Canon Kabushiki Kaisha**, Tokyo (JP)

*Primary Examiner*—Freda Nunn

(\*\*) Term: **14 Years**

(74) *Attorney, Agent, or Firm*—Fitzpatrick, Cella, Harper & Scinto

(21) Appl. No.: **29/137,945**

(57) **CLAIM**

(22) Filed: **Mar. 5, 2001**

The ornamental design for an electronic image data input/output apparatus, as shown and described.

(30) **Foreign Application Priority Data**

Sep. 6, 2000 (JP) ..... 2000-024838

**DESCRIPTION**

(51) **LOC (7) Cl.** ..... **14-02**

(52) **U.S. Cl.** ..... **D14/349**

(58) **Field of Search** ..... D14/349, 351,  
D14/352, 300, 311, 240, 301, 356; D13/162,  
184, 199; D6/432, 436, 445, 448; 312/223.1-223.3,  
194; 360/99.01-99.12; 369/34, 36; 361/690-696

FIG. 1 is a front view of an electronic image data input/output apparatus showing my new design;

FIG. 2 is a rear view thereof;

FIG. 3 is a top plan view thereof;

FIG. 4 is a bottom plan view thereof;

FIG. 5 is a left side view thereof;

FIG. 6 is a right side view thereof; and,

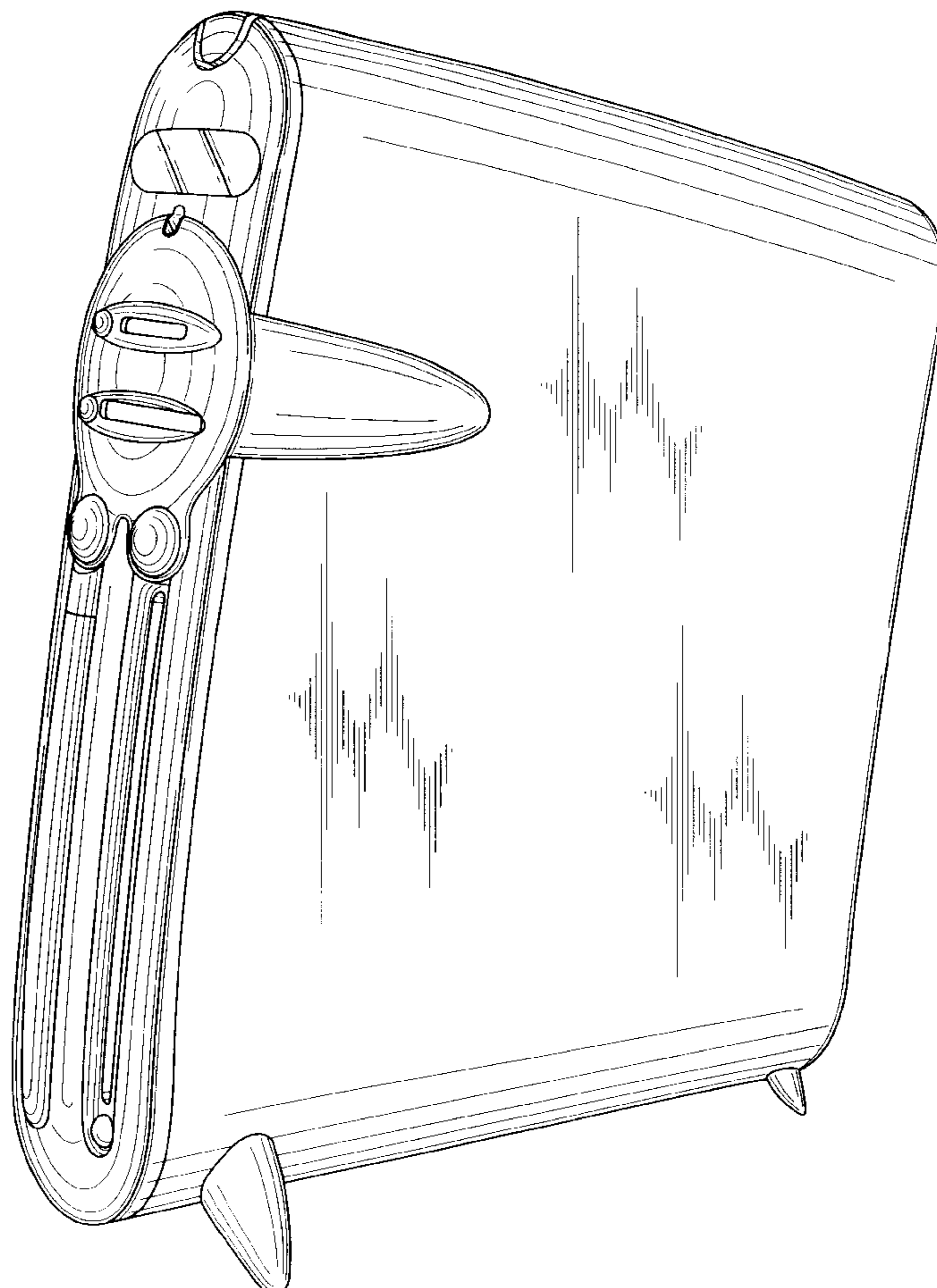
FIG. 7 is a perspective view thereof.

(56) **References Cited**

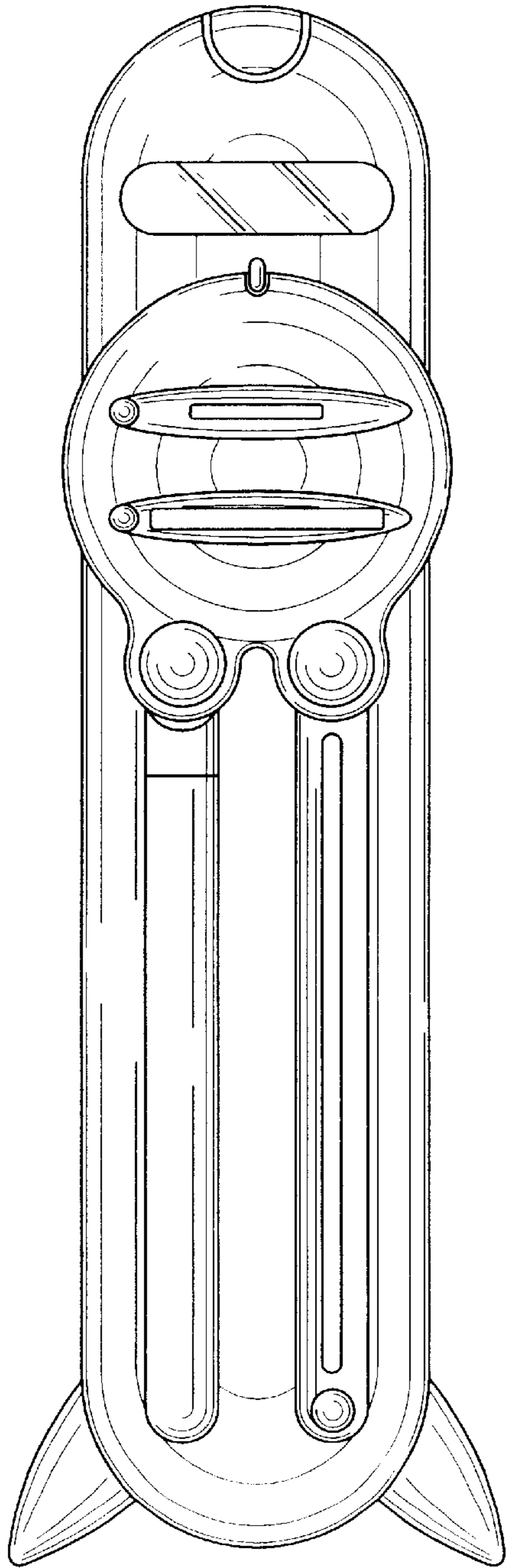
**U.S. PATENT DOCUMENTS**

D311,728 S \* 10/1990 Yoshitake ..... D14/351

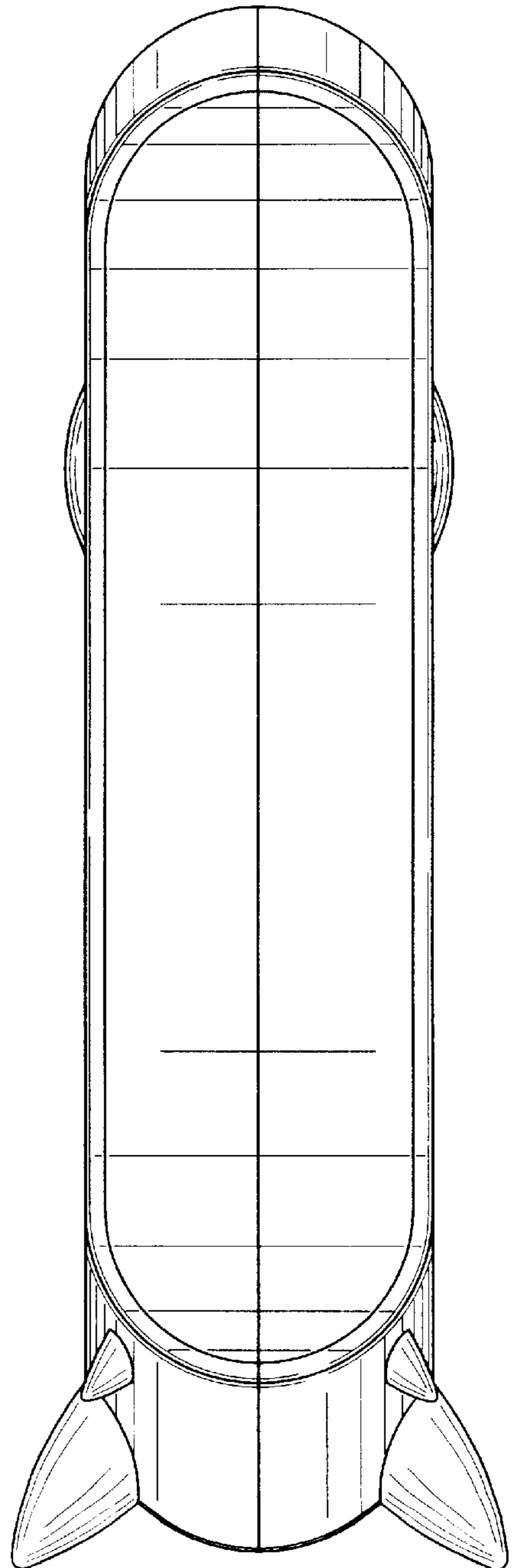
**1 Claim, 5 Drawing Sheets**



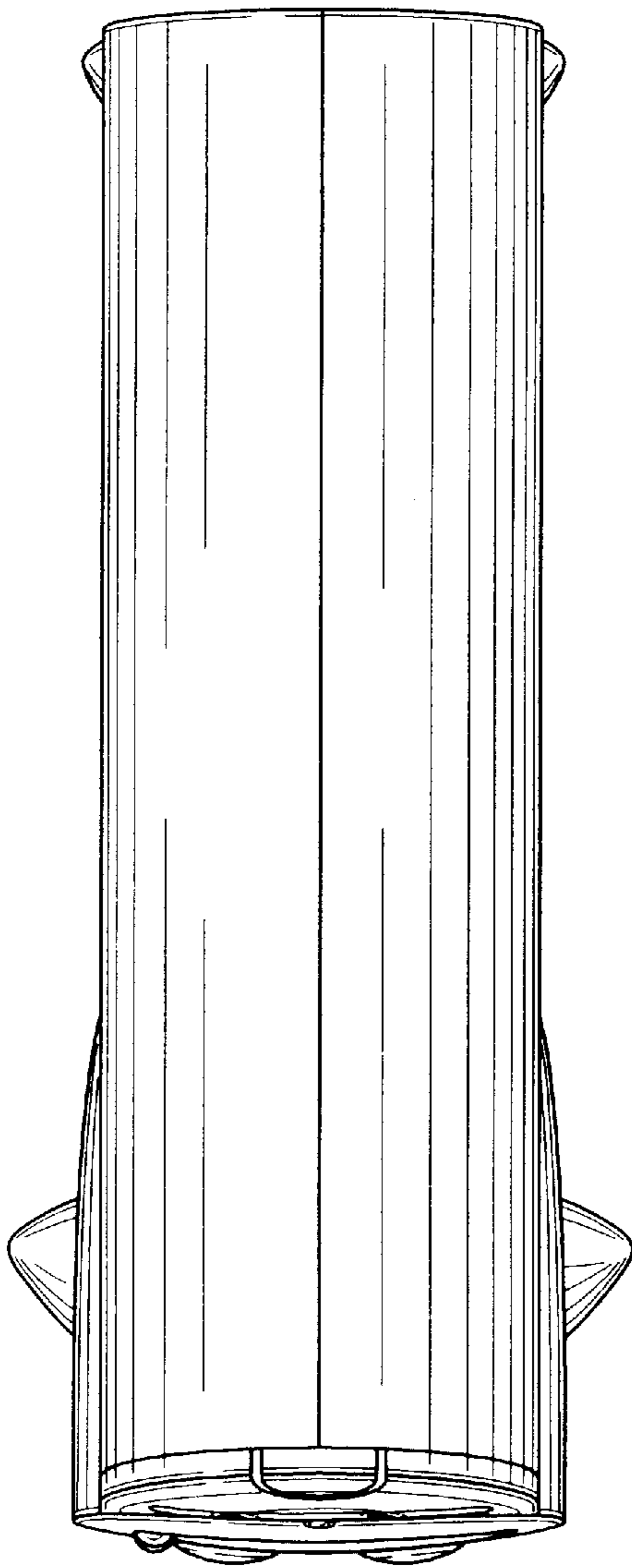
*FIG. 1*



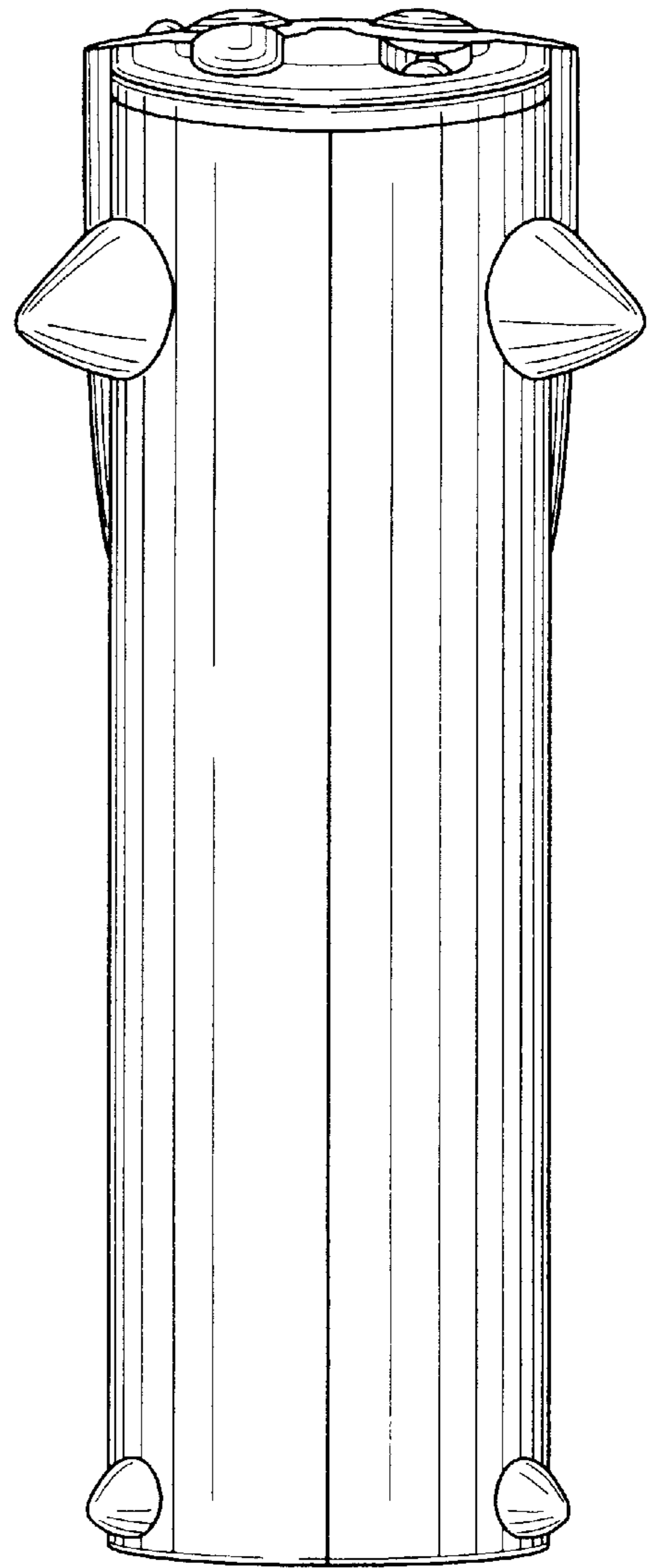
*FIG. 2*



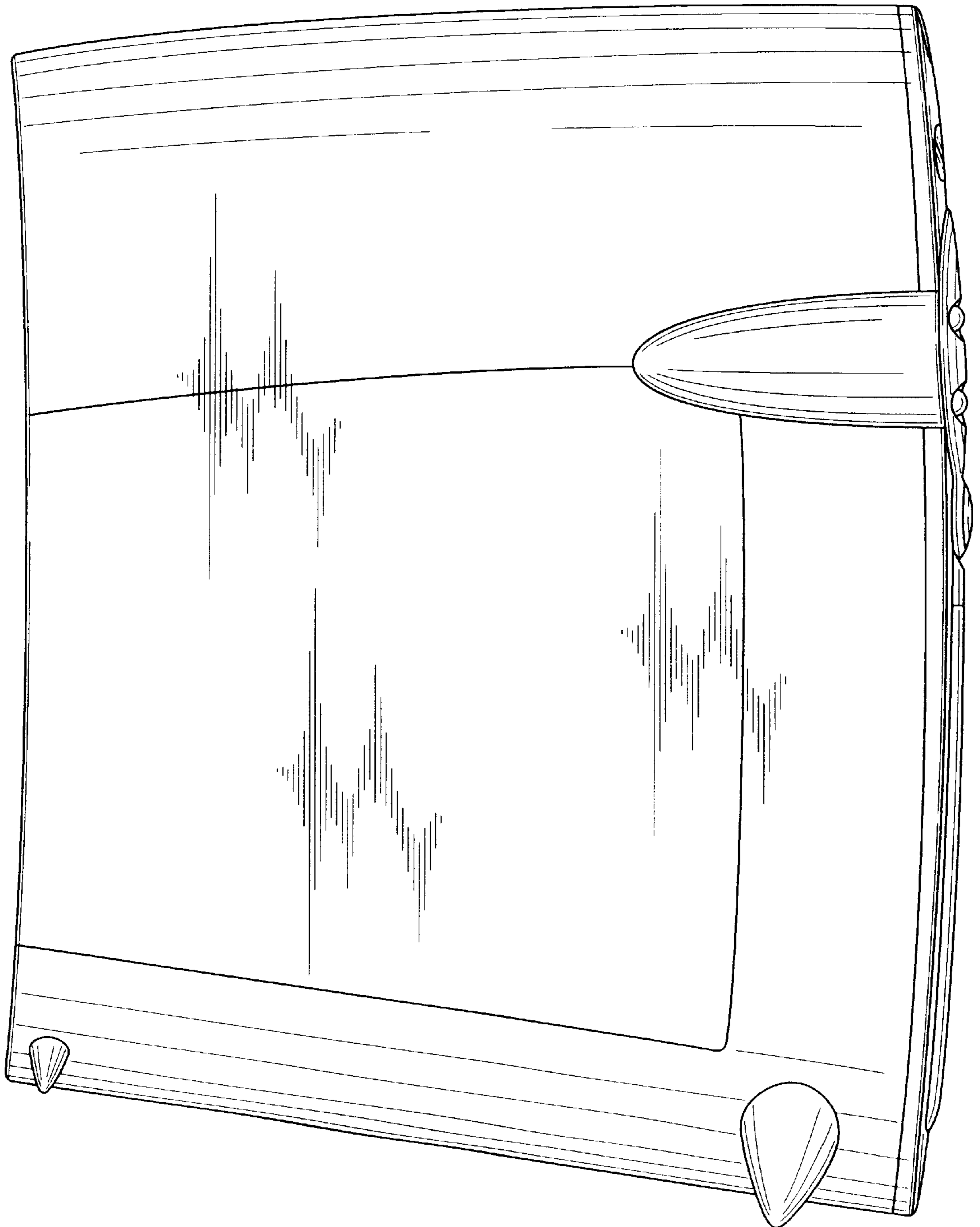
*FIG. 3*



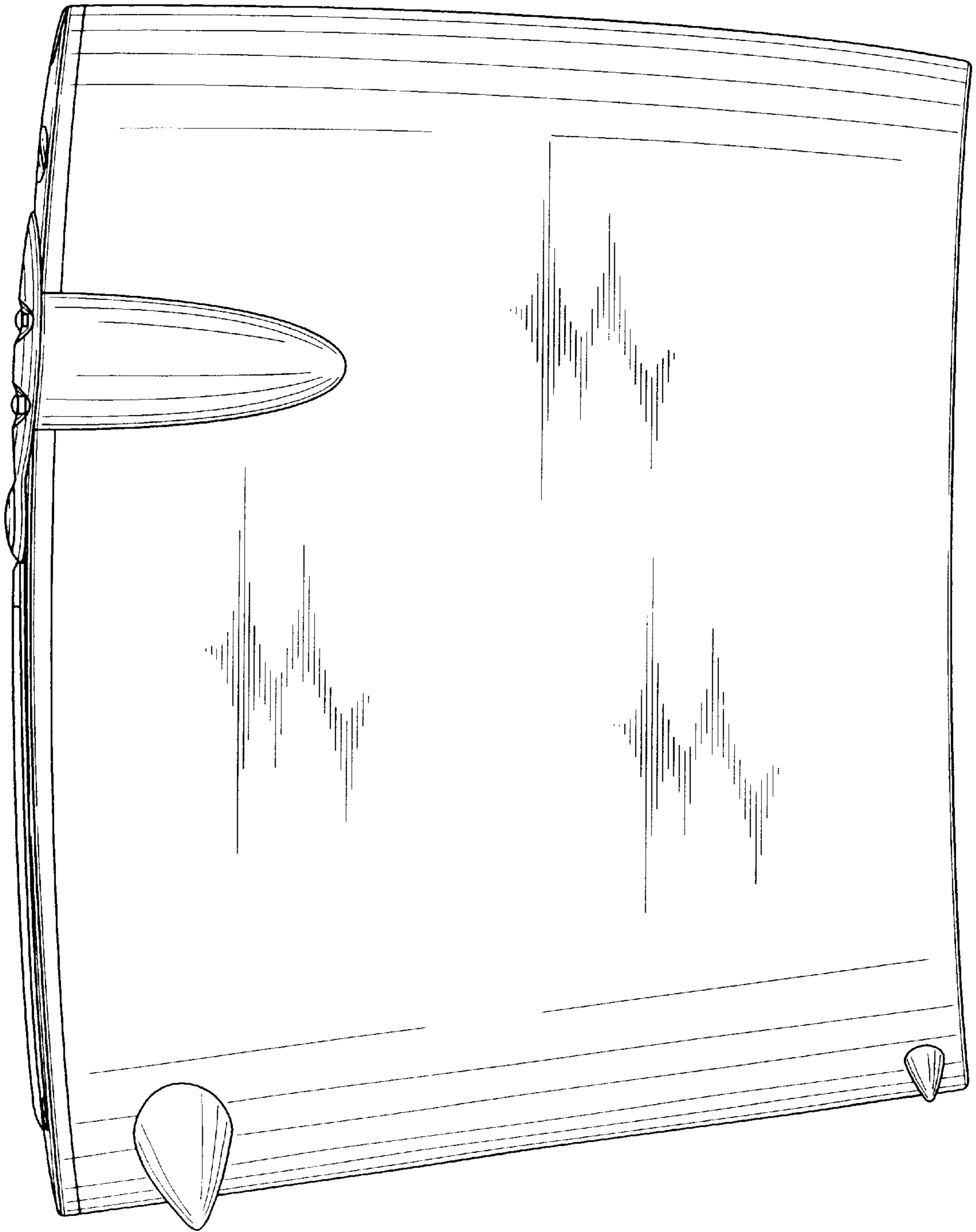
*FIG. 4*



*FIG. 5*



*FIG. 6*



*FIG. 7*

