



US00D456019S

(12) **United States Design Patent**
Frank et al.

(10) **Patent No.:** **US D456,019 S**

(45) **Date of Patent:** **** Apr. 23, 2002**

(54) **COMPUTER ENCLOSURE**

(75) Inventors: **Christopher H. Frank**, Campbell;
Milton C. Lee, Mountain VW, both of
CA (US)

(73) Assignee: **Sun Microsystems, Inc.**, Palo Alto, CA
(US)

(**) Term: **14 Years**

(21) Appl. No.: **29/139,002**

(22) Filed: **Mar. 21, 2001**

(51) **LOC (7) Cl.** **14-02**

(52) **U.S. Cl.** **D14/311**

(58) **Field of Search** D14/308, 311,
D14/348, 312, 351-353, 356, 349, 363;
D13/162, 184, 199; 312/223.1, 223.3; 360/99.01-99.12;
361/690-696; 369/34, 36

(56) **References Cited**

U.S. PATENT DOCUMENTS

D280,509 S * 9/1985 Marino et al. D14/312

D311,177 S * 10/1990 Peters, III D14/308

D379,351 S * 5/1997 Armstrong et al. D14/363

D396,031 S * 7/1998 Chiodo et al. D14/308

D433,681 S * 11/2000 Jean et al. D14/349

* cited by examiner

Primary Examiner—Freda Nunn

(74) *Attorney, Agent, or Firm*—O'Melveny & Myers LLP

(57) **CLAIM**

The ornamental design for a computer enclosure, as shown and described.

DESCRIPTION

FIG. 1 is a top front and right side perspective view of a computer enclosure;

FIG. 2 is a front elevational view thereof;

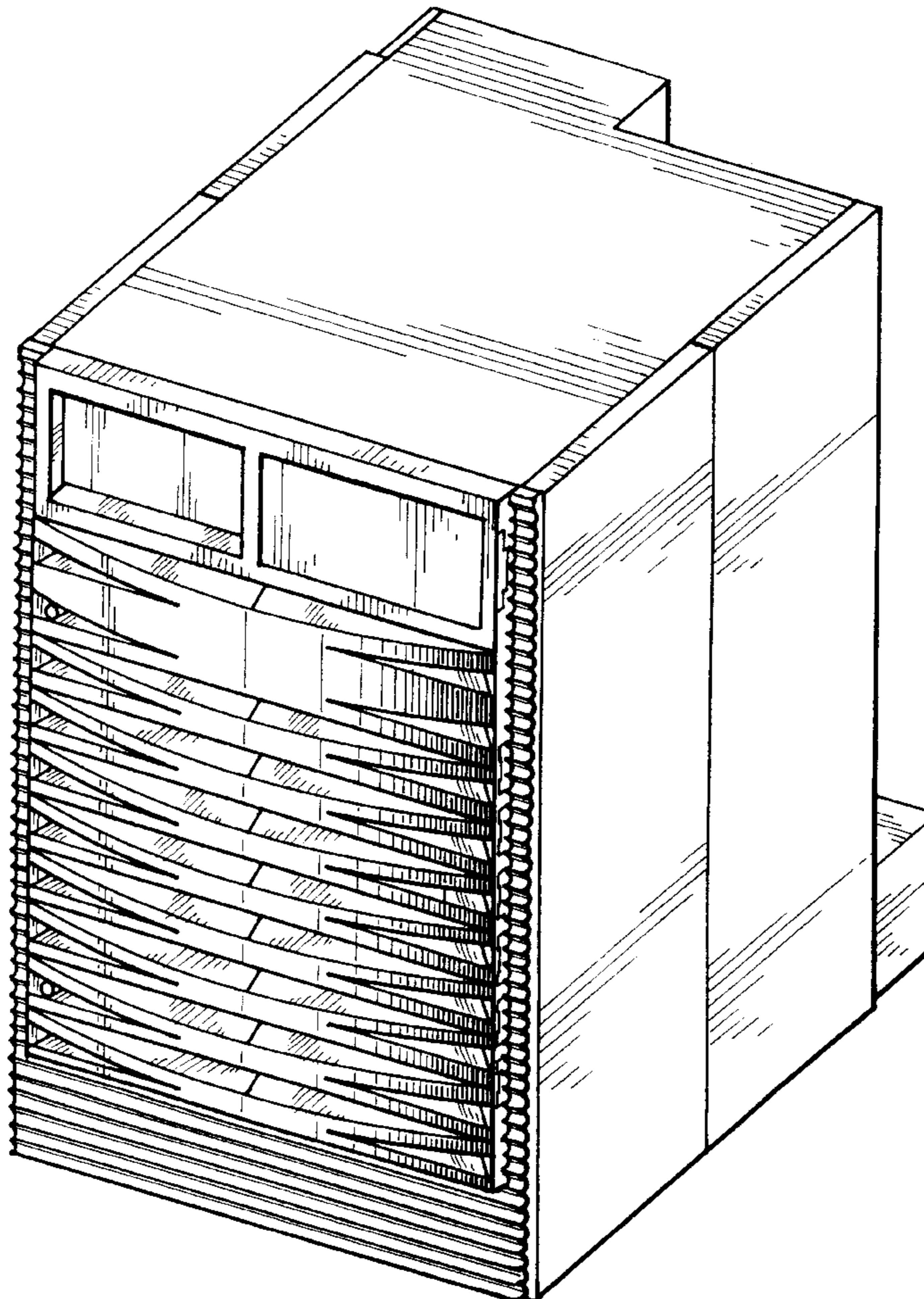
FIG. 3 is a left side elevational view thereof;

FIG. 4 is a right side elevational view thereof;

FIG. 5 is a back elevational view thereof; and,

FIG. 6 is a bottom view thereof.

1 Claim, 6 Drawing Sheets



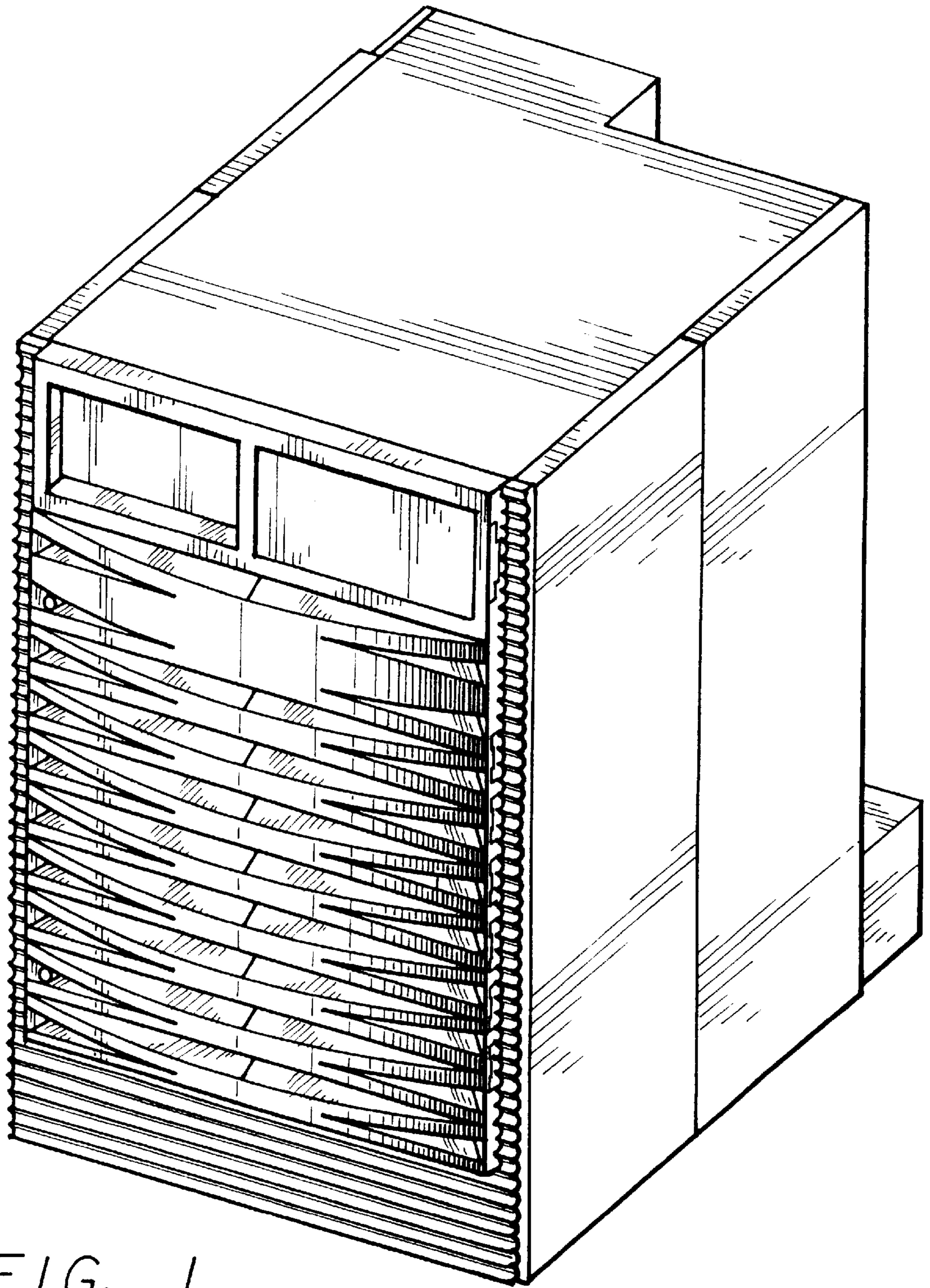


FIG. 1

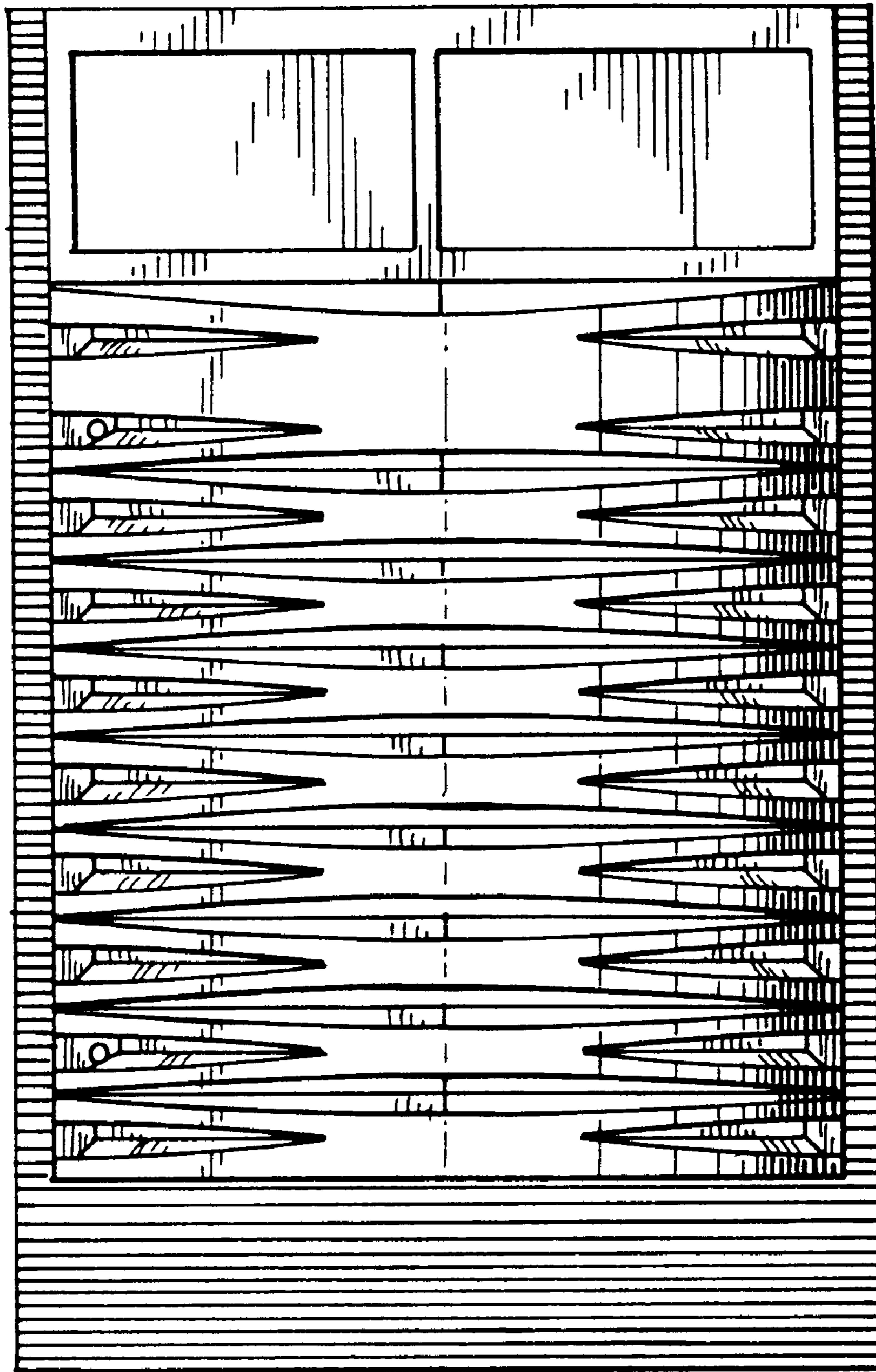


FIG. 2

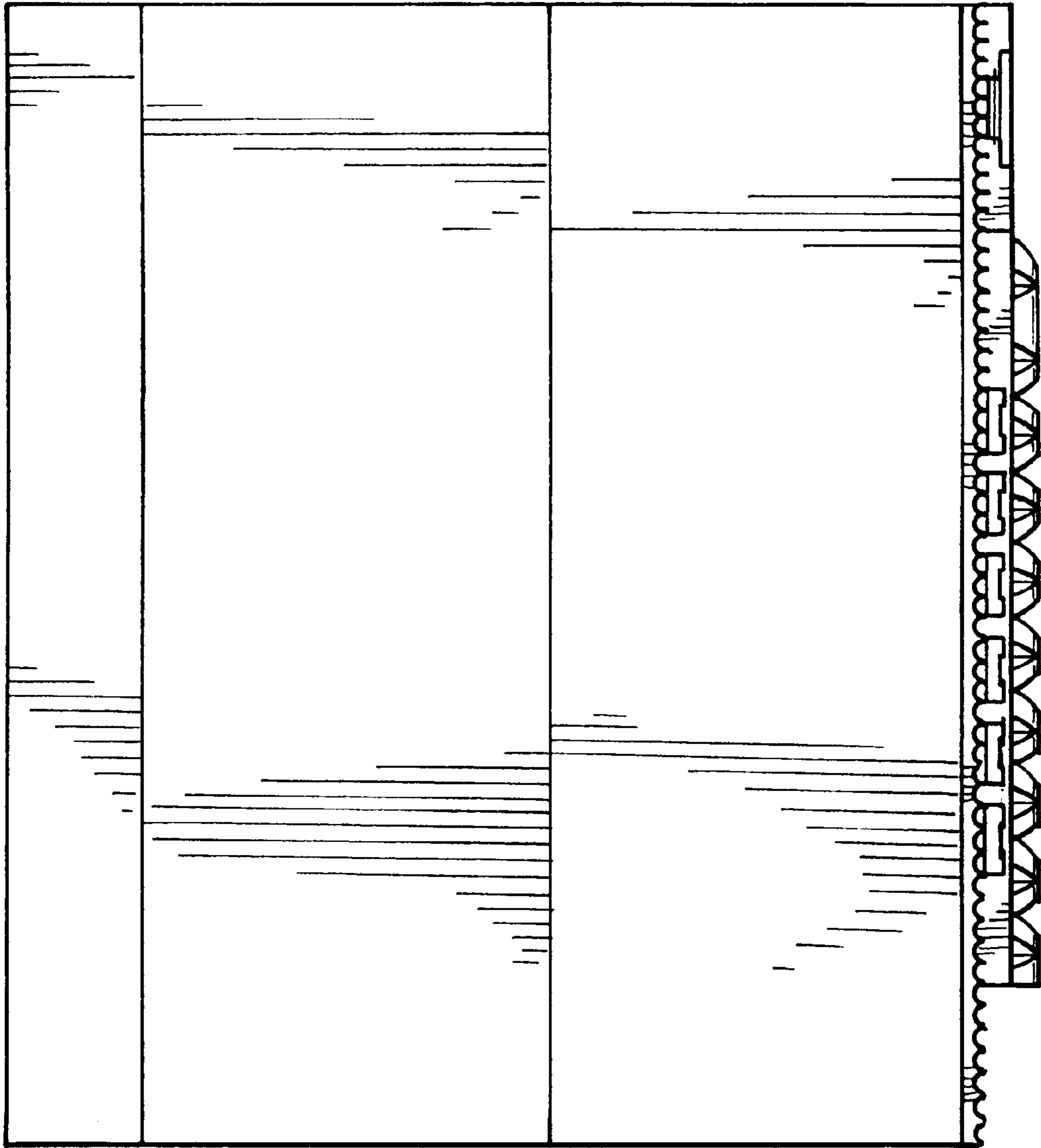


FIG. 3

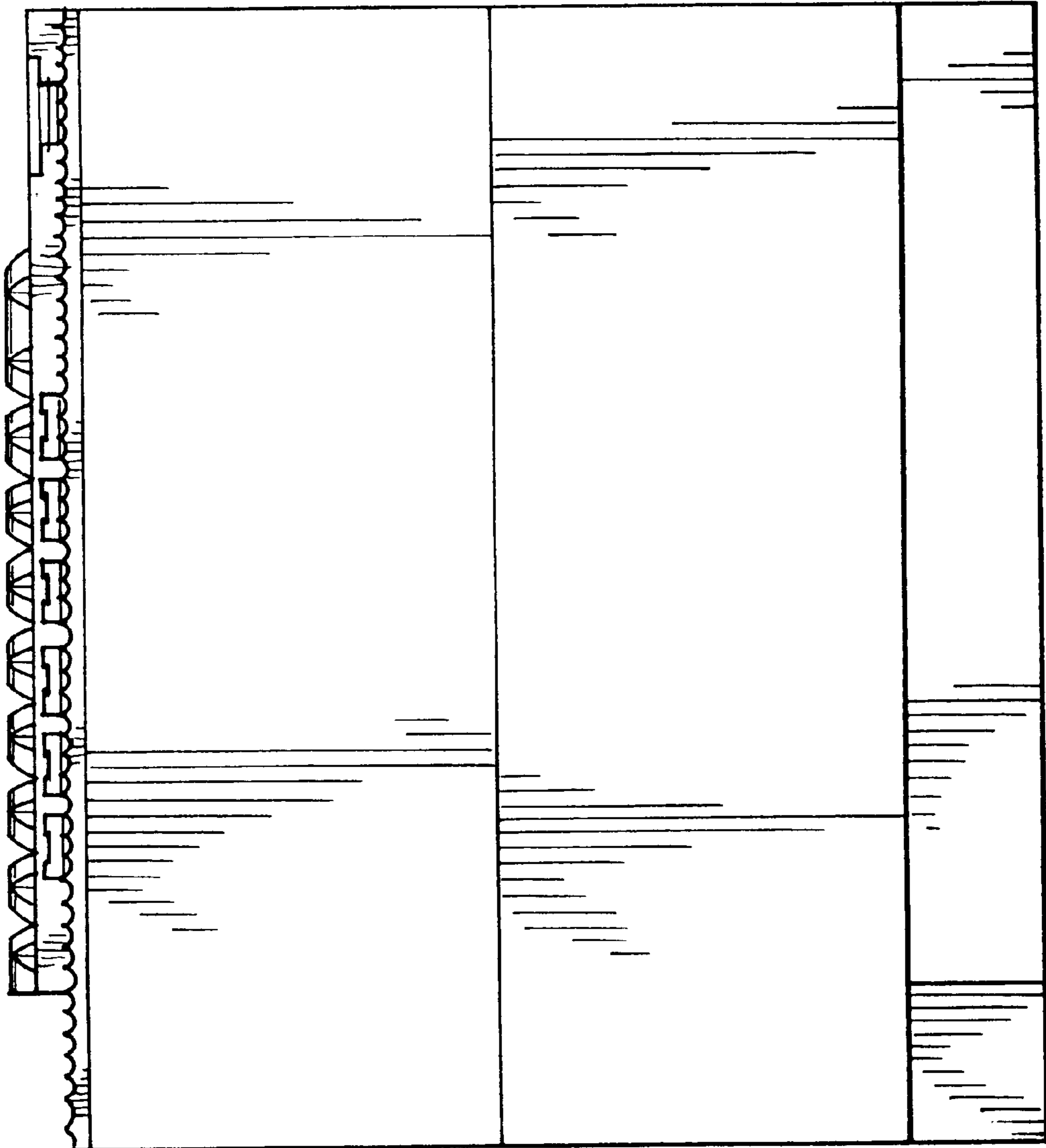


FIG. 4

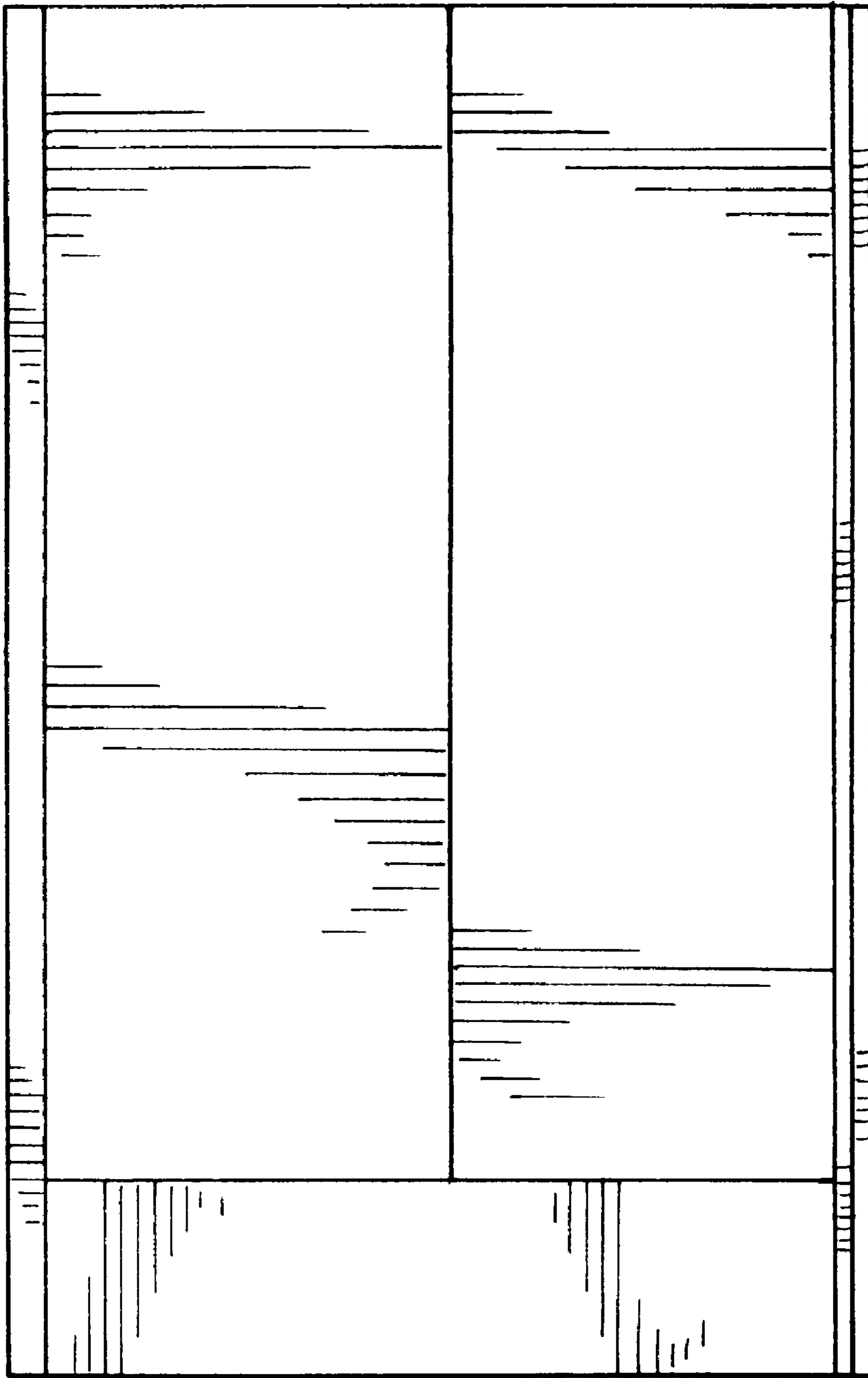


FIG. 5

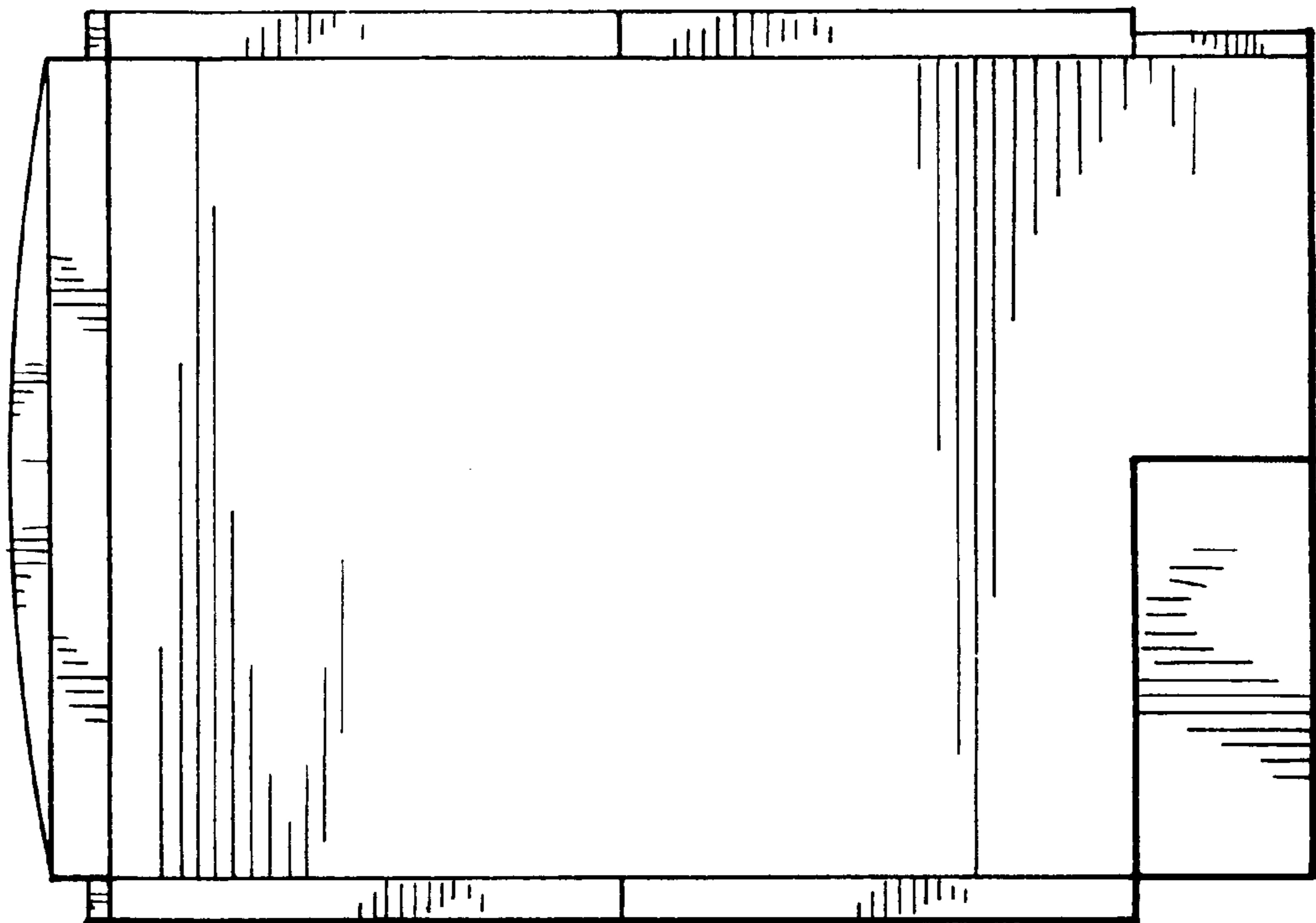


FIG. 6