



US00D456018S

(12) **United States Design Patent**
Lee

(10) **Patent No.:** **US D456,018 S**

(45) **Date of Patent:** **** Apr. 23, 2002**

- (54) **FRONT COVER FOR A HANDSET**
- (75) **Inventor:** **Kelley Ann Chao-Fei Ching Lee,**
Pasadena, CA (US)
- (73) **Assignee:** **Nokia Mobile Phones Ltd.,** Espoo (FI)
- (**) **Term:** **14 Years**
- (21) **Appl. No.:** **29/138,606**
- (22) **Filed:** **Mar. 15, 2001**
- (51) **LOC (7) Cl.** **14-03**
- (52) **U.S. Cl.** **D14/248**
- (58) **Field of Search** D14/137, 138,
D14/218, 147-148, 247-249, 144, 455,
456, 341-347, 338-340, 399, 426, 387,
429, 453; 379/433.01-433.13, 434, 419,
420.01-420.04, 428.01-428.02, 440, 368-370;
455/550-575, 90; D13/168, 103; D18/2,
7, 12

D415,489 S	*	10/1999	Ke	D14/138
5,982,881 A	*	11/1999	Mischenko	379/433
D420,680 S	*	2/2000	Curtis	D14/248
D422,585 S	*	4/2000	Ng et al.	D14/137
D422,597 S	*	4/2000	Finkbeiner	D14/248
D425,057 S	*	5/2000	Finkbeiner	D14/138
D425,074 S	*	5/2000	Frye et al.	D14/248
D428,001 S	*	7/2000	Curtis	D14/248
D428,401 S	*	7/2000	Curtis	D14/138
D429,491 S	*	8/2000	Finkbeiner	D14/248
D443,607 S	*	6/2001	Kolinen	D14/248
D445,102 S	*	7/2001	Lai	D14/138
D448,022 S	*	9/2001	Higashi et al.	D14/248

* cited by examiner

Primary Examiner—Jeffrey Asch
(74) *Attorney, Agent, or Firm*—Steven A. Shaw

(57) **CLAIM**

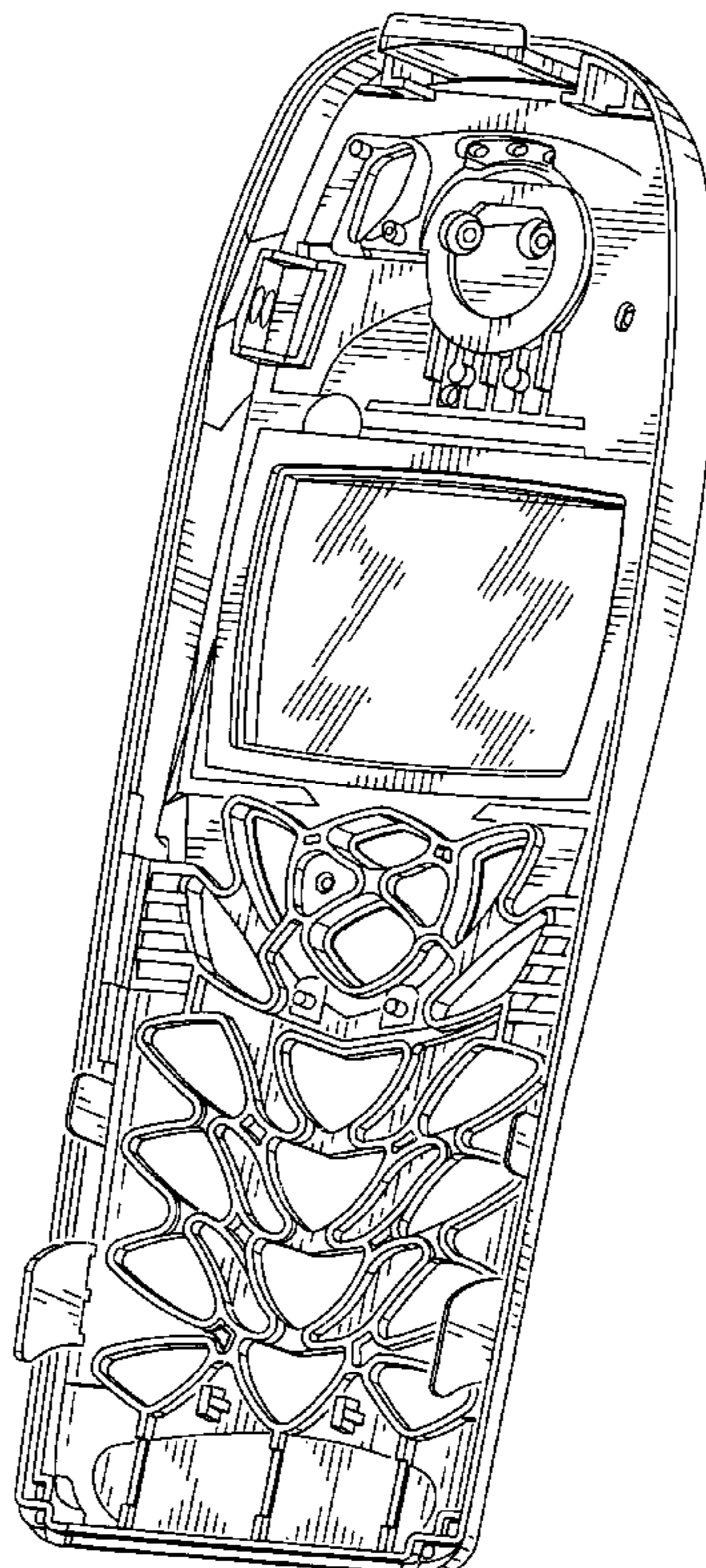
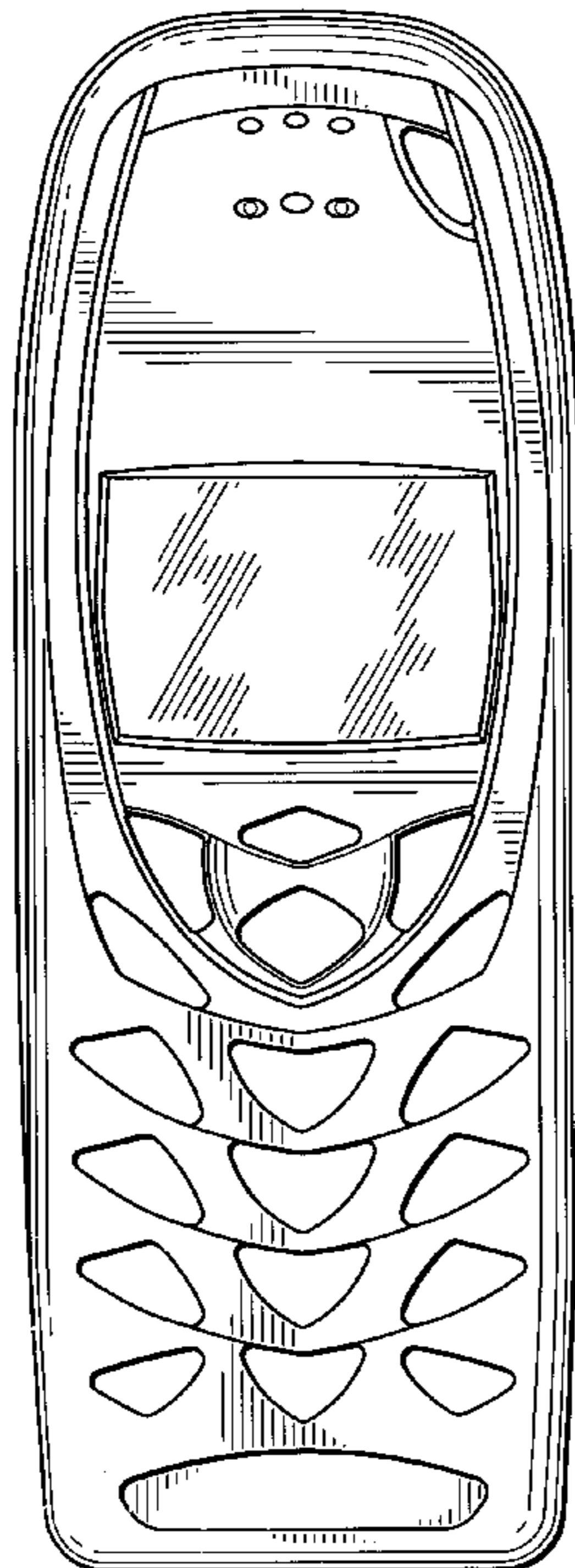
I claim the ornamental design for the front cover for a handset, as shown.

DESCRIPTION

FIG. 1 is a left side view of the front cover for a handset; FIG. 2 is a front view thereof; FIG. 3 is a right side view thereof; FIG. 4 is a perspective front view thereof; FIG. 5 is a bottom plan view thereof; FIG. 6 is a top plan view thereof; FIG. 7 is a perspective rear view thereof; and, FIG. 8 is a rear view thereof.

1 Claim, 2 Drawing Sheets

- (56) **References Cited**
- U.S. PATENT DOCUMENTS
- D396,713 S * 8/1998 Nuovo et al. D14/138
- D398,930 S * 9/1998 Nuovo et al. D14/250
- D398,931 S * 9/1998 Nuovo et al. D14/250
- D405,785 S * 2/1999 Vuolteenaho D14/138
- 5,867,772 A * 2/1999 Jonsson et al. 455/90
- D406,583 S * 3/1999 Phillips et al. D14/138
- D406,585 S * 3/1999 Vuolteenaho et al. D14/138
- D411,205 S * 6/1999 Frye et al. D14/250



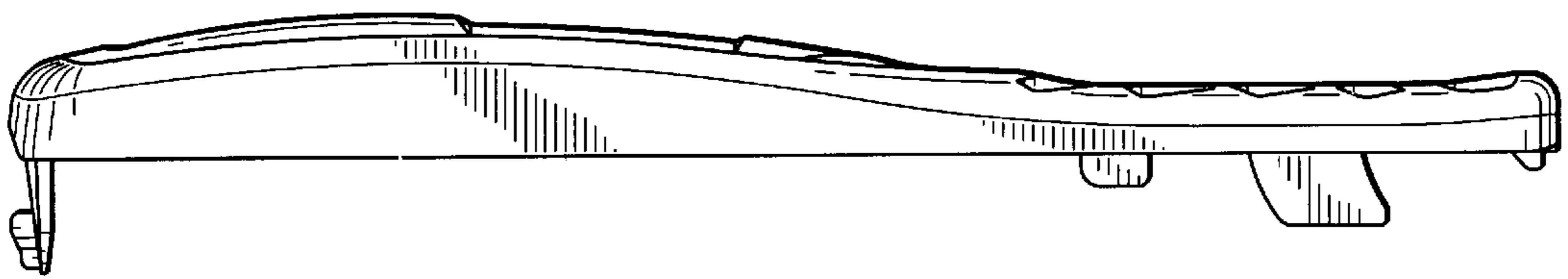


FIG. 1

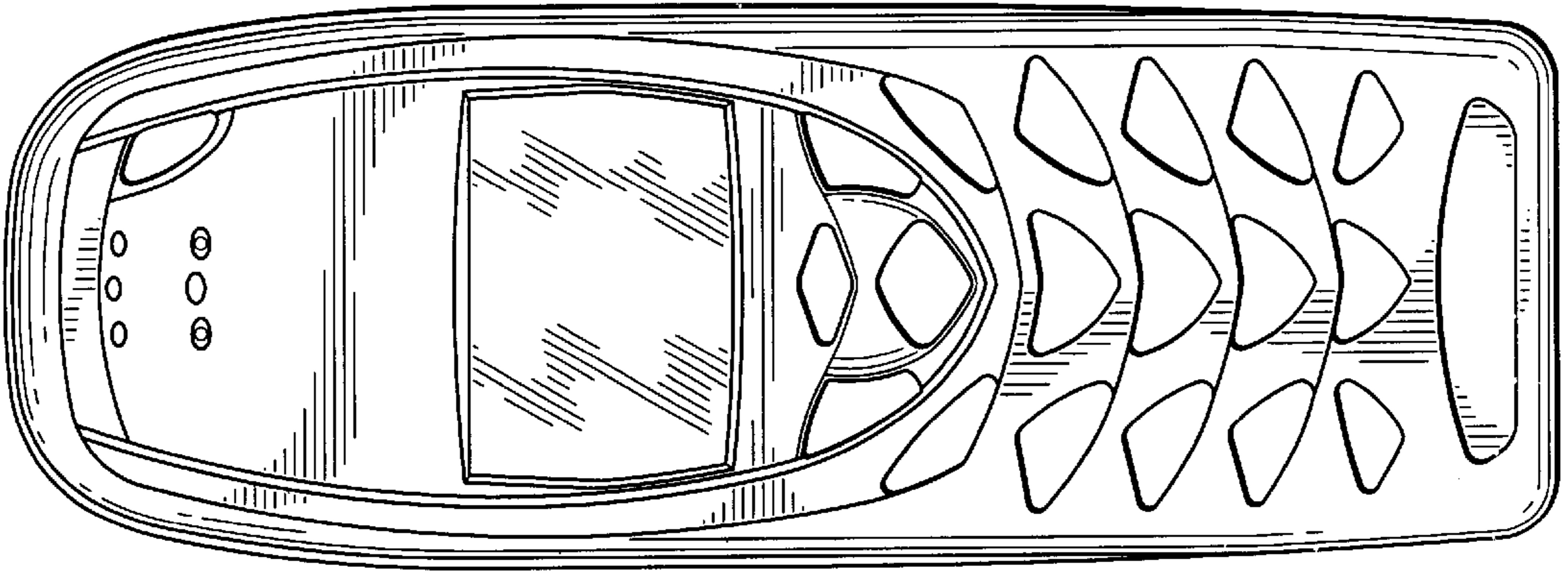


FIG. 2

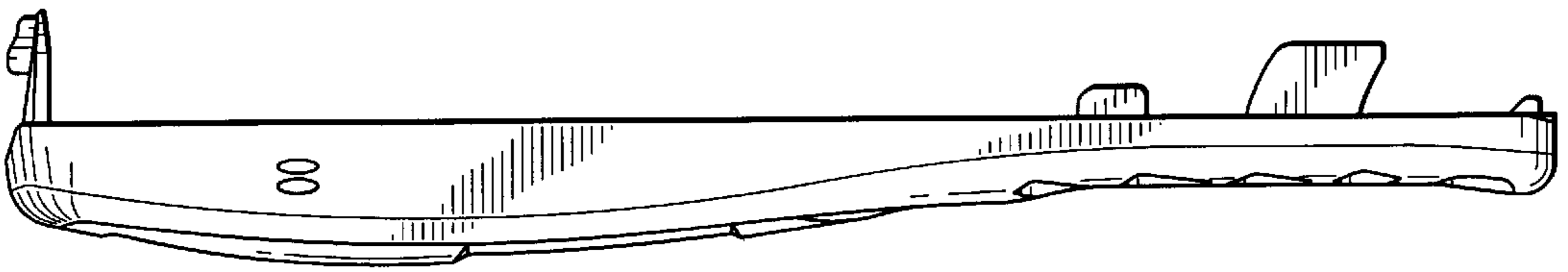


FIG. 3

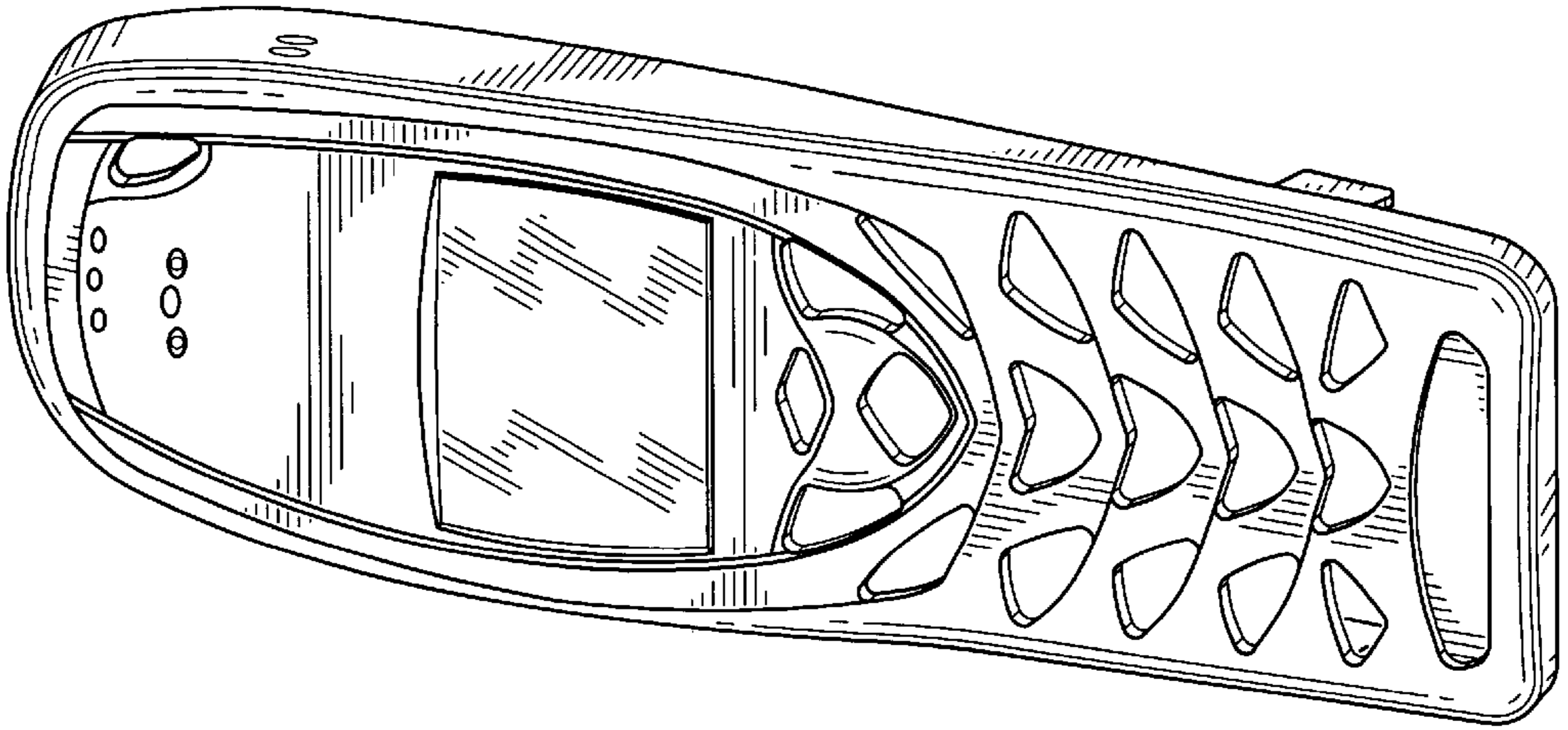


FIG. 4

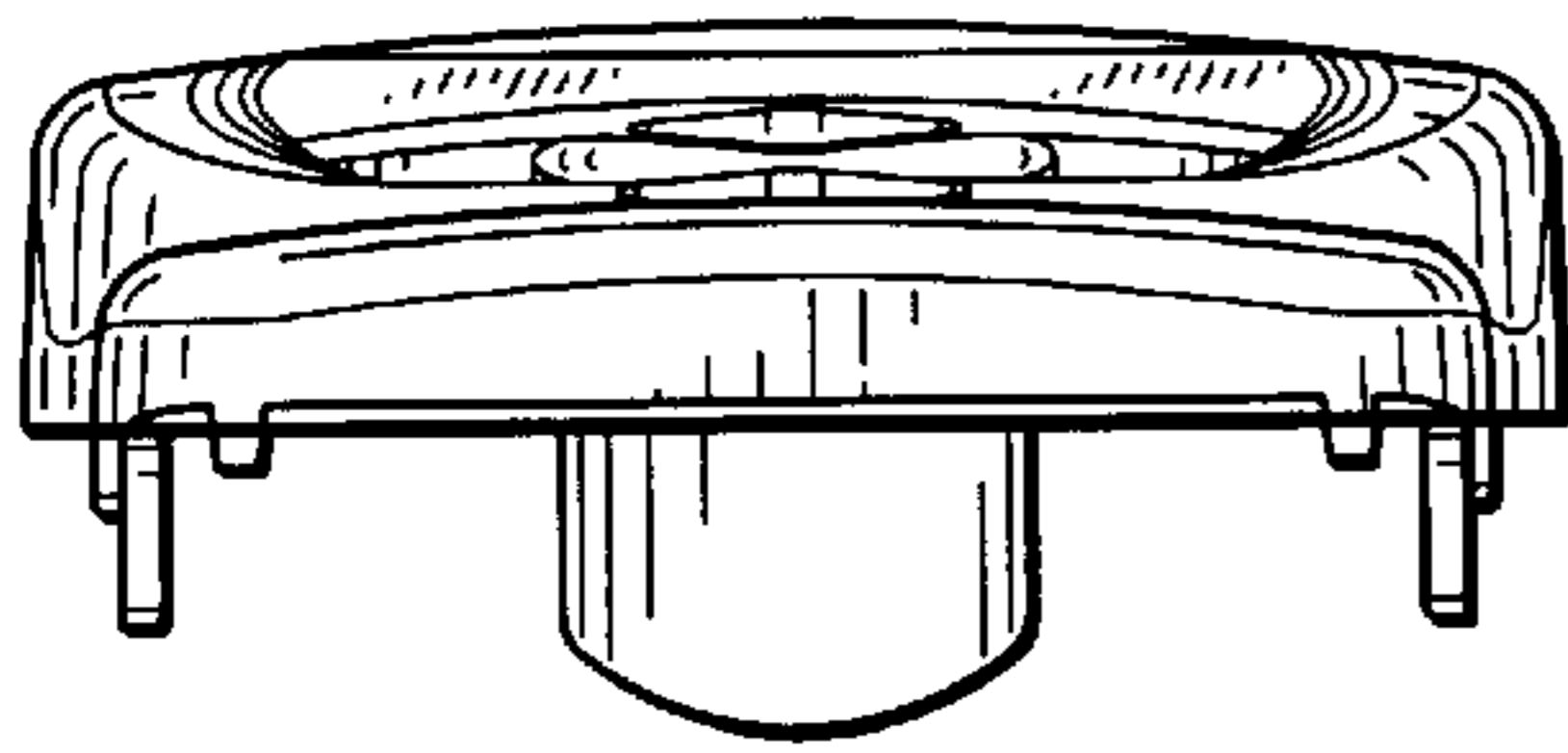


FIG. 5

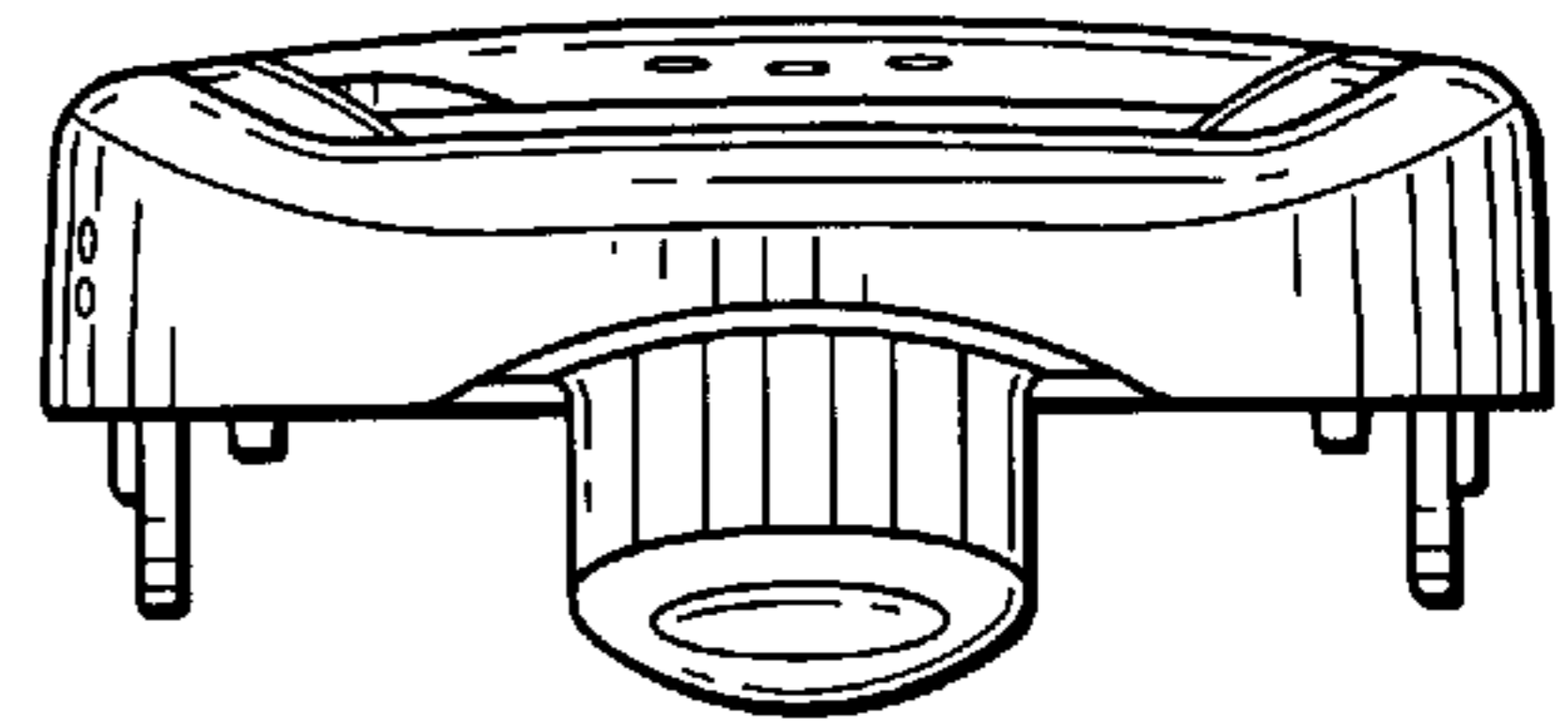


FIG. 6

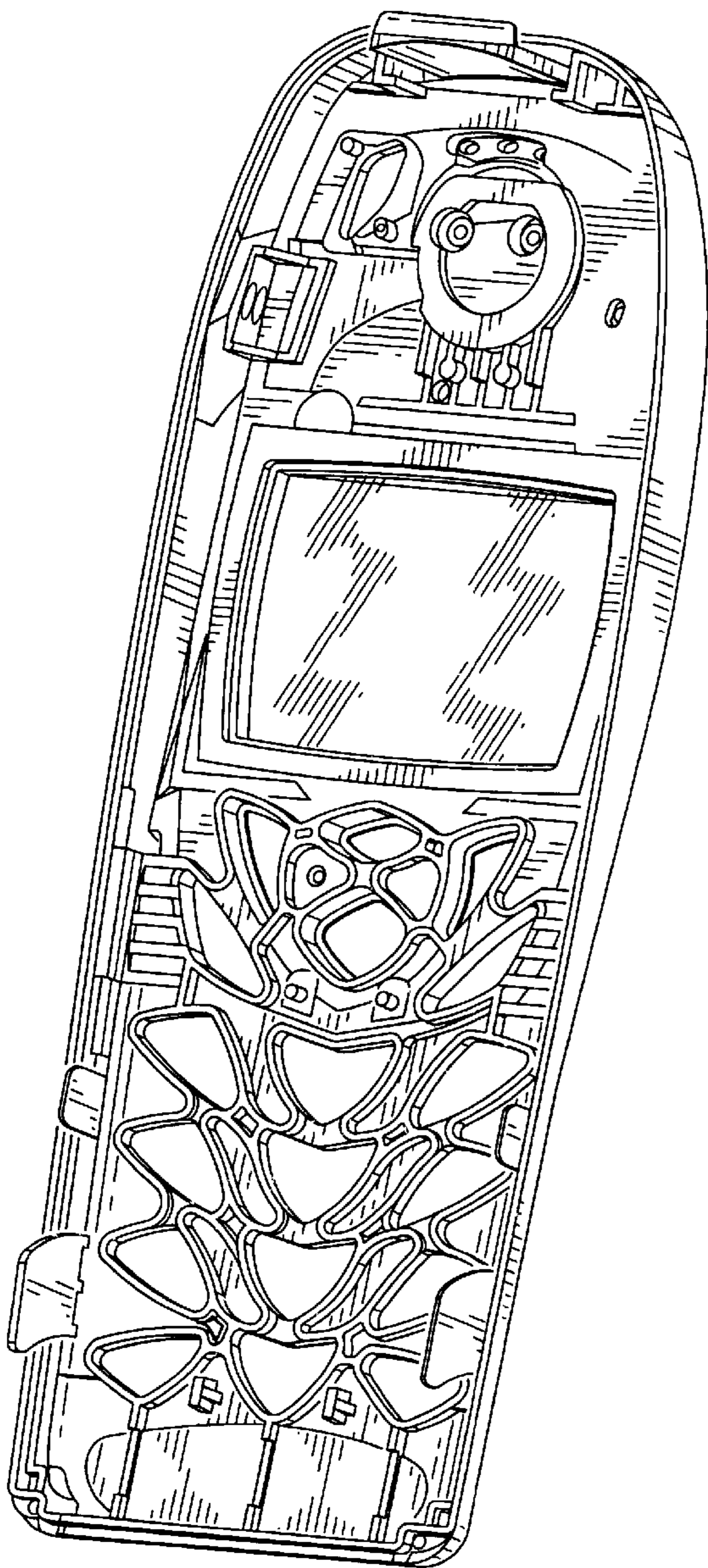


FIG. 7

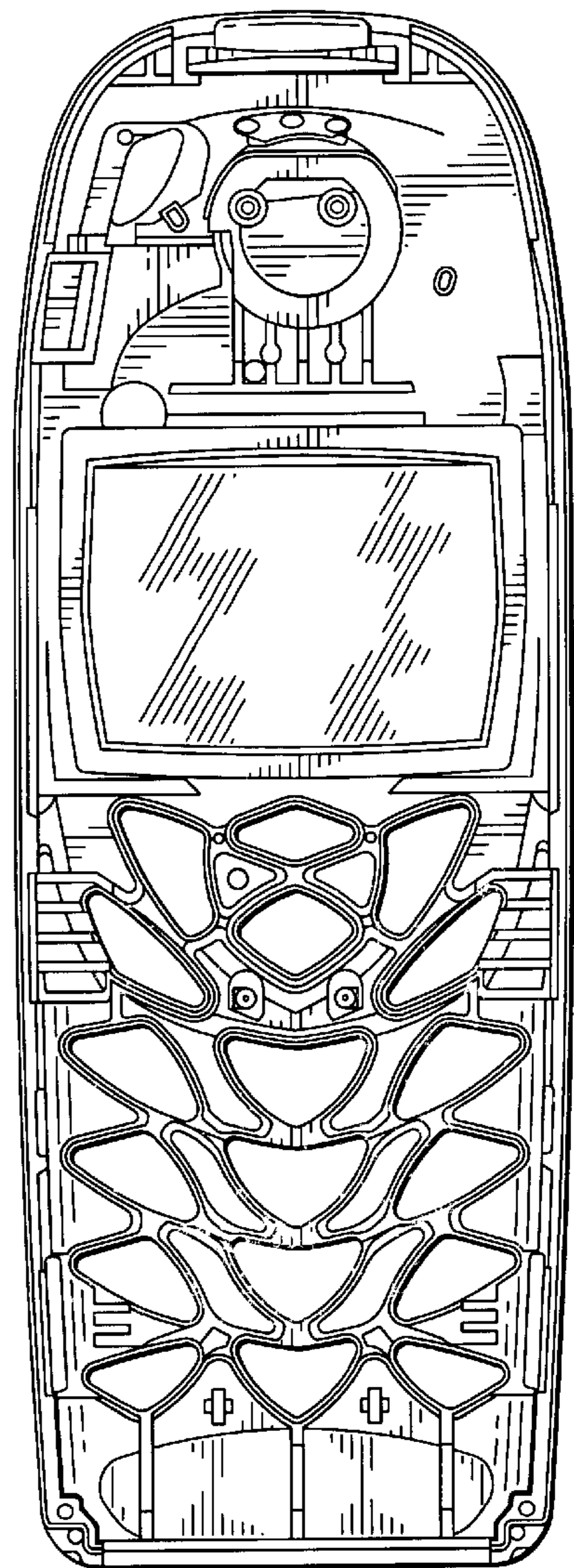


FIG. 8