



US00D456014S

(12) **United States Design Patent**
Powers, Jr.

(10) **Patent No.:** **US D456,014 S**

(45) **Date of Patent:** **** Apr. 23, 2002**

(54) **POLYGONAL SPEAKER HOUSING WITH LID**

(74) *Attorney, Agent, or Firm*—Lackenbach Siegel Marzullo Aronson & Greenspan

(76) **Inventor:** **Art Richard Powers, Jr.**, 112 N. Main St., Port Chester, NY (US) 10573

(57) **CLAIM**

(**) **Term:** **14 Years**

The ornamental design for a polygonal speaker housing with lid, as shown and described.

(21) **Appl. No.:** **29/129,076**

DESCRIPTION

(22) **Filed:** **Sep. 6, 2000**

(51) **LOC (7) Cl.** **14-01**

(52) **U.S. Cl.** **D14/207**

(58) **Field of Search** D6/403, 556; D11/143, D11/144, 152–155; D14/204, 207, 210–216; 47/66.1, 33; 181/144–145, 147–148, 150, 153, 198–199; 381/300–302, 359, 361, 430–432

FIG. 1 is a front and right perspective view of a polygonal speaker housing with lid showing my new design; FIG. 2 is a exploded perspective view thereof; FIG. 3 is an enlarged top plan view thereof; FIG. 4 is a front elevational view thereof; FIG. 5 is a side elevational view thereof, the other sides not shown being identical thereto; FIG. 6 is a bottom plan view thereof; FIG. 7 is a bottom plan view of the lid, shown separately for clarity of illustration; FIG. 8 is a perspective view of a second embodiment of FIG. 1, the remaining two sides being identical to FIG. 5; FIG. 9 is a perspective view of a third embodiment of FIG. 1 taken along the lines 9—9 on FIG. 1, the remaining two sides being identical to FIG. 1; FIG. 10 is a front and rear elevational view of a fourth embodiment of FIG. 1, the remaining two sides being identical to FIG. 5; and, FIG. 11 is a perspective view of a fifth embodiment of FIG. 1, the remaining two sides being identical to FIG. 9.

(56) **References Cited**

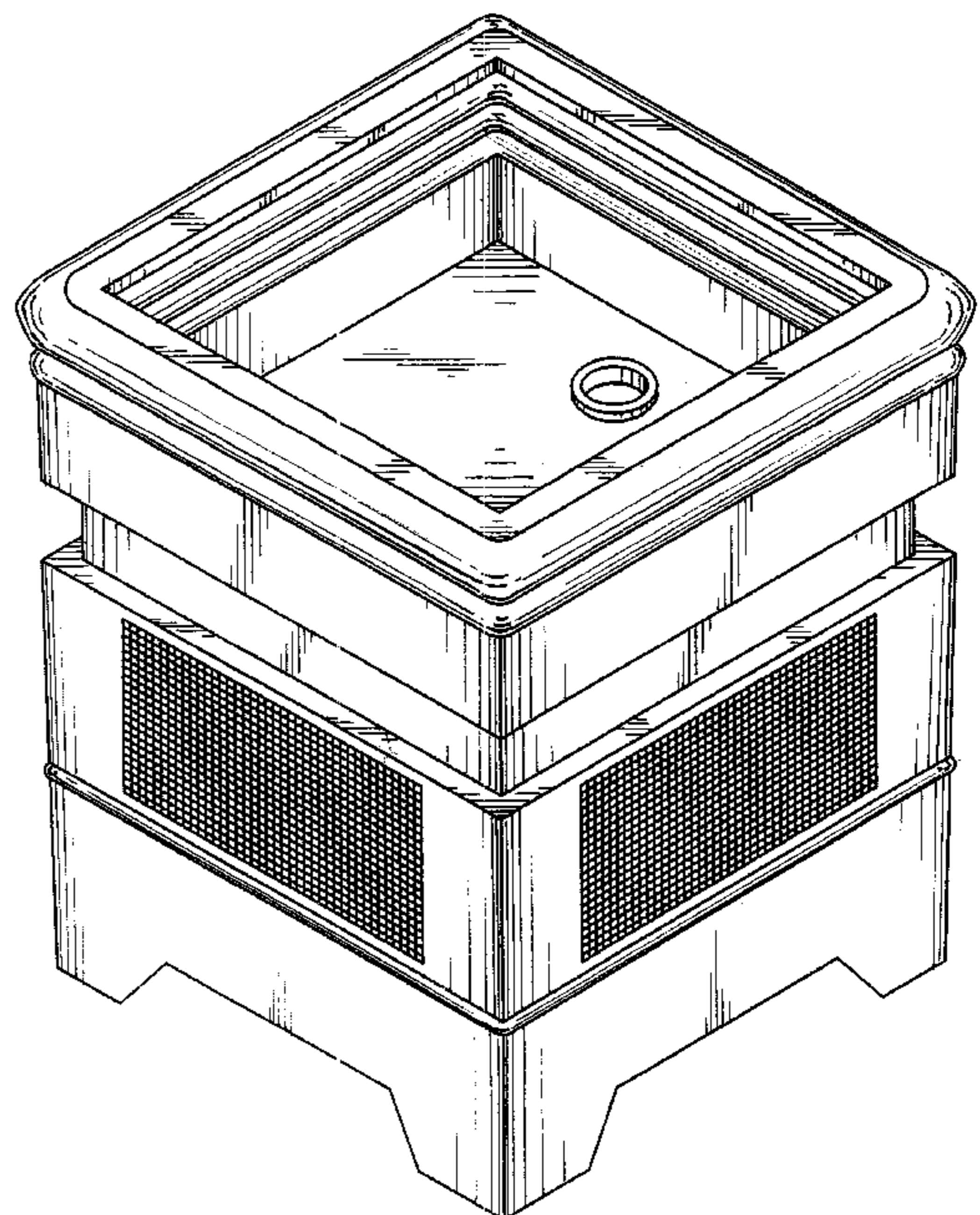
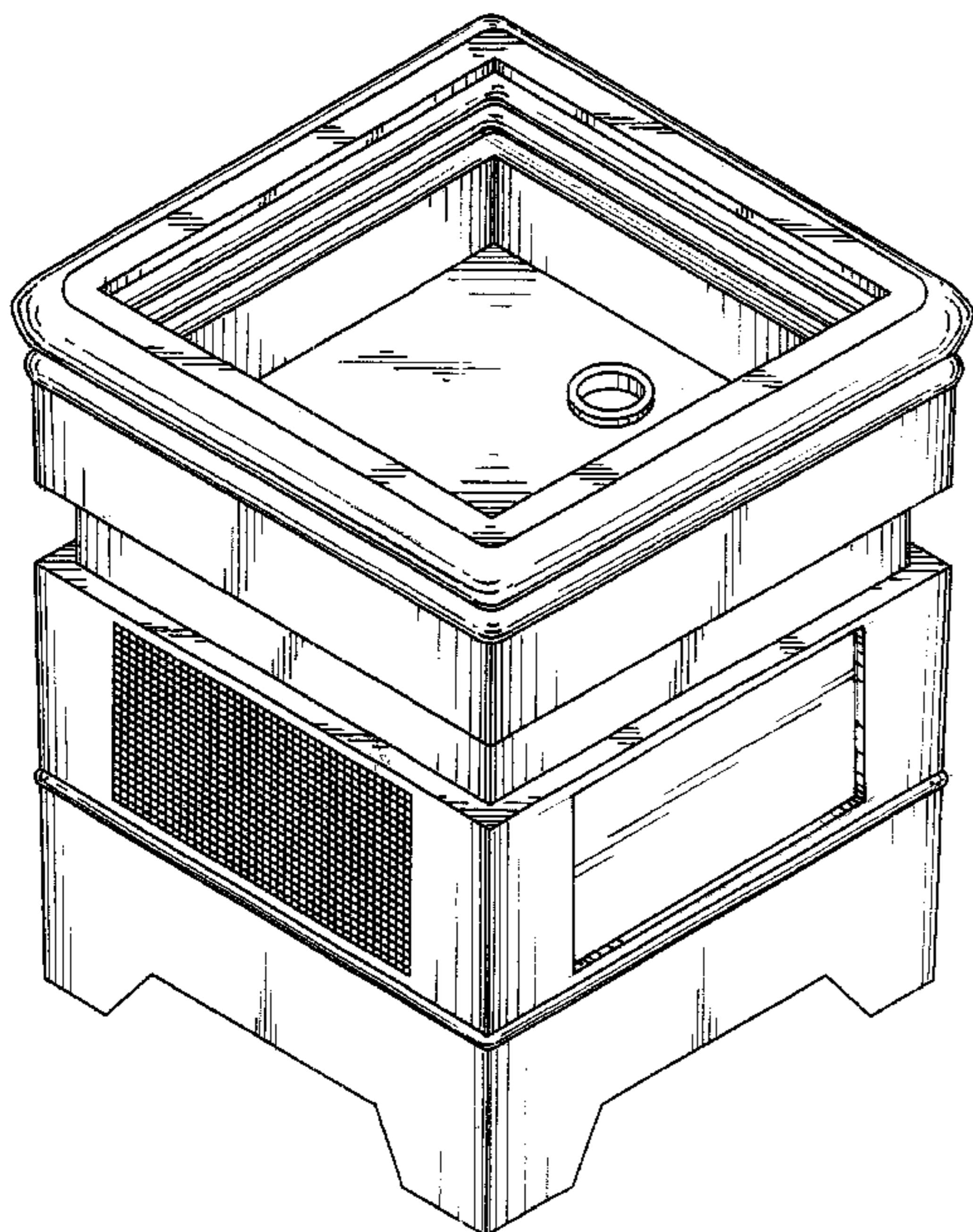
U.S. PATENT DOCUMENTS

D72,095 S	*	3/1927	Hofmann	D14/212
D150,258 S	*	7/1948	Rosenberg	D11/155
4,031,663 A	*	6/1977	Brunk	47/66.1
D246,618 S	*	12/1977	Johnson	D14/212
D340,204 S	*	10/1993	Grosfillex	D11/155
D394,827 S	*	6/1998	Ruthenberg	D11/143

* cited by examiner

Primary Examiner—Nanda Bondade

1 Claim, 11 Drawing Sheets



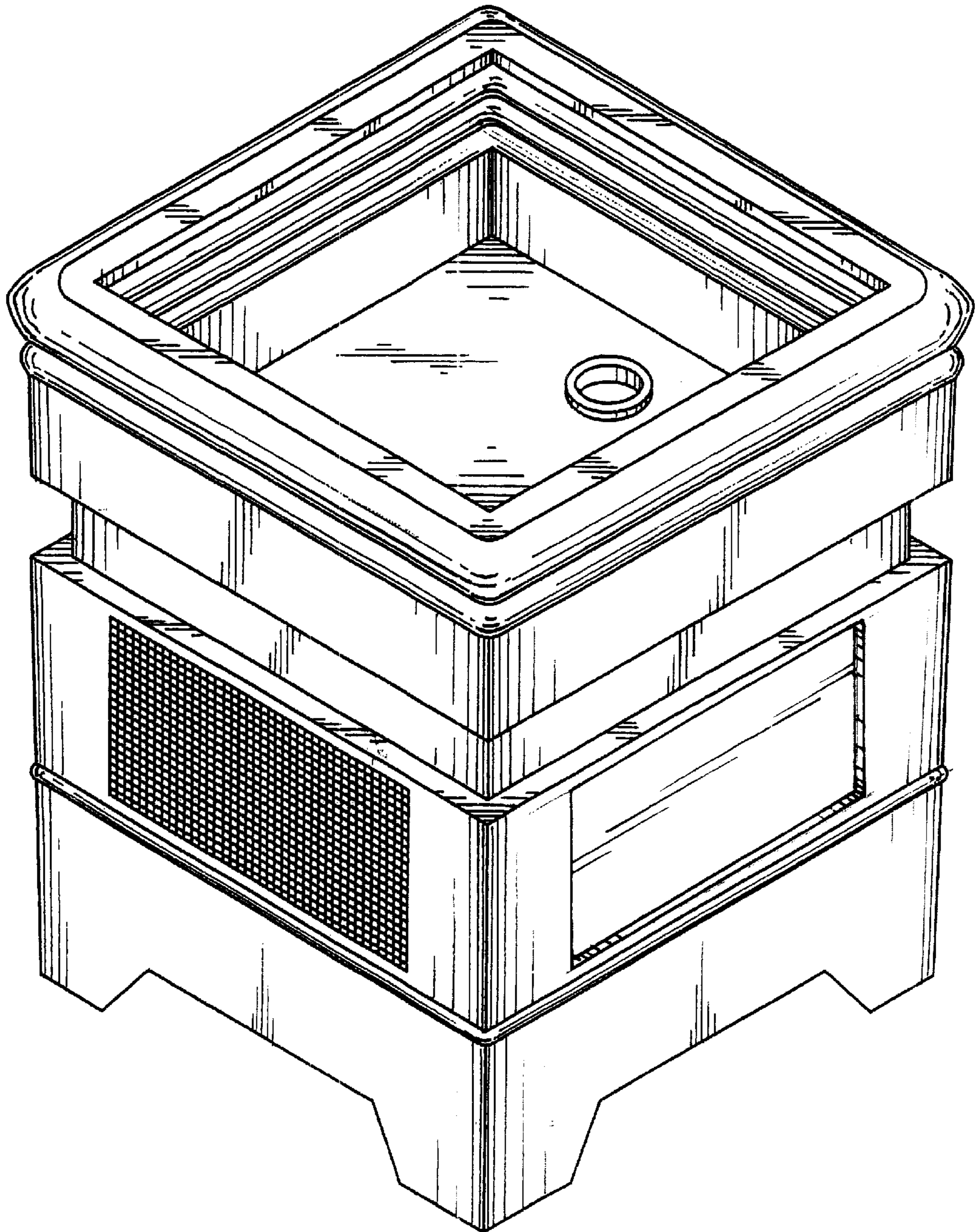
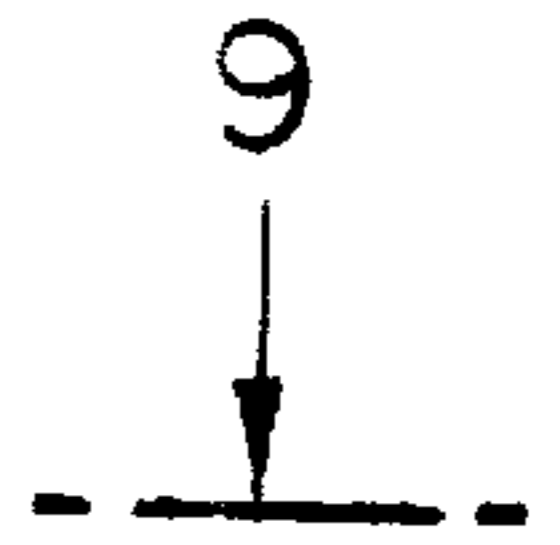
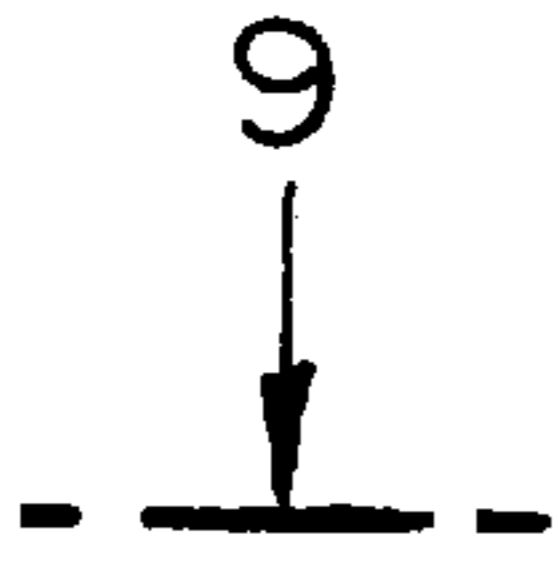


FIG. 1

FIG. 2

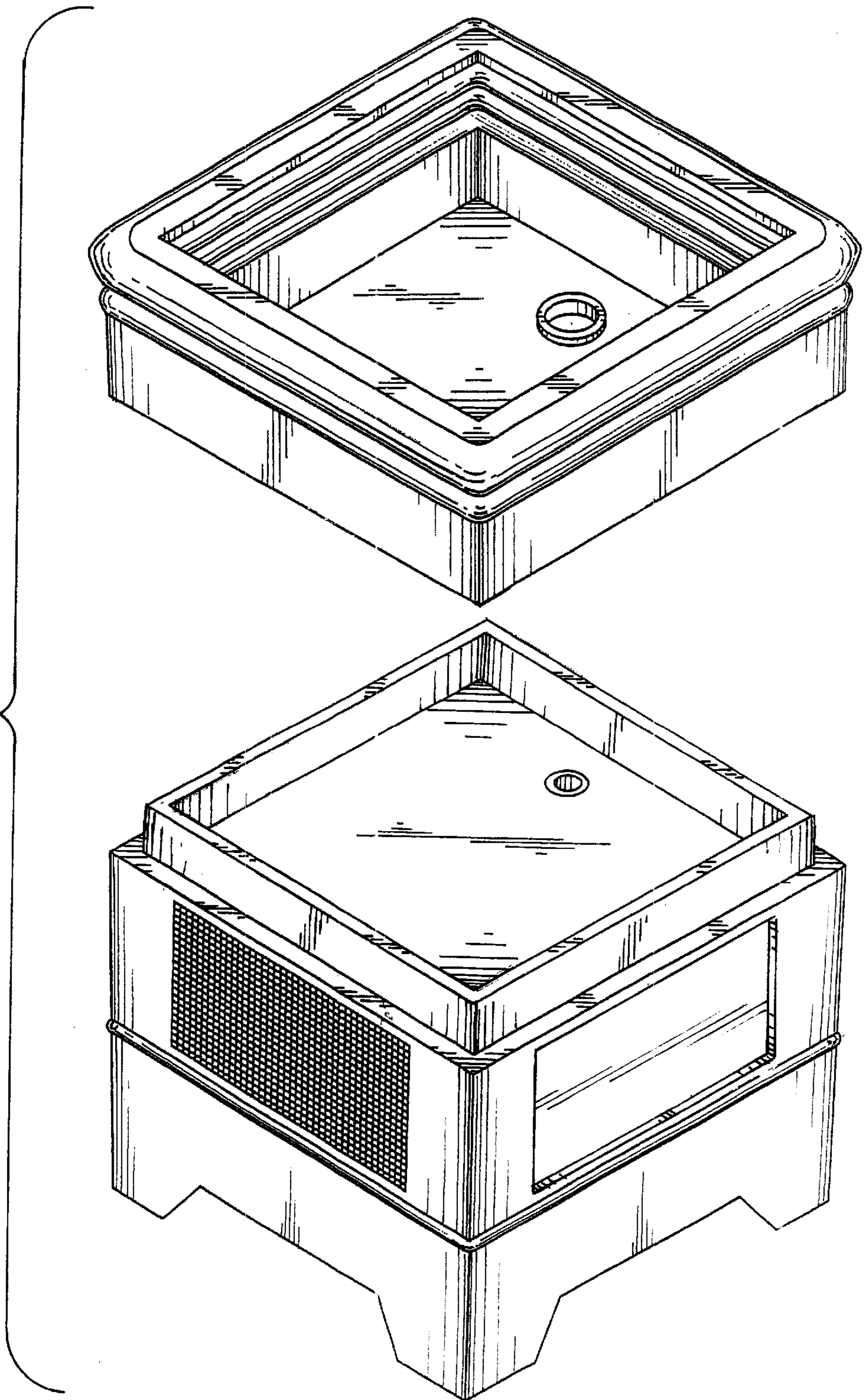
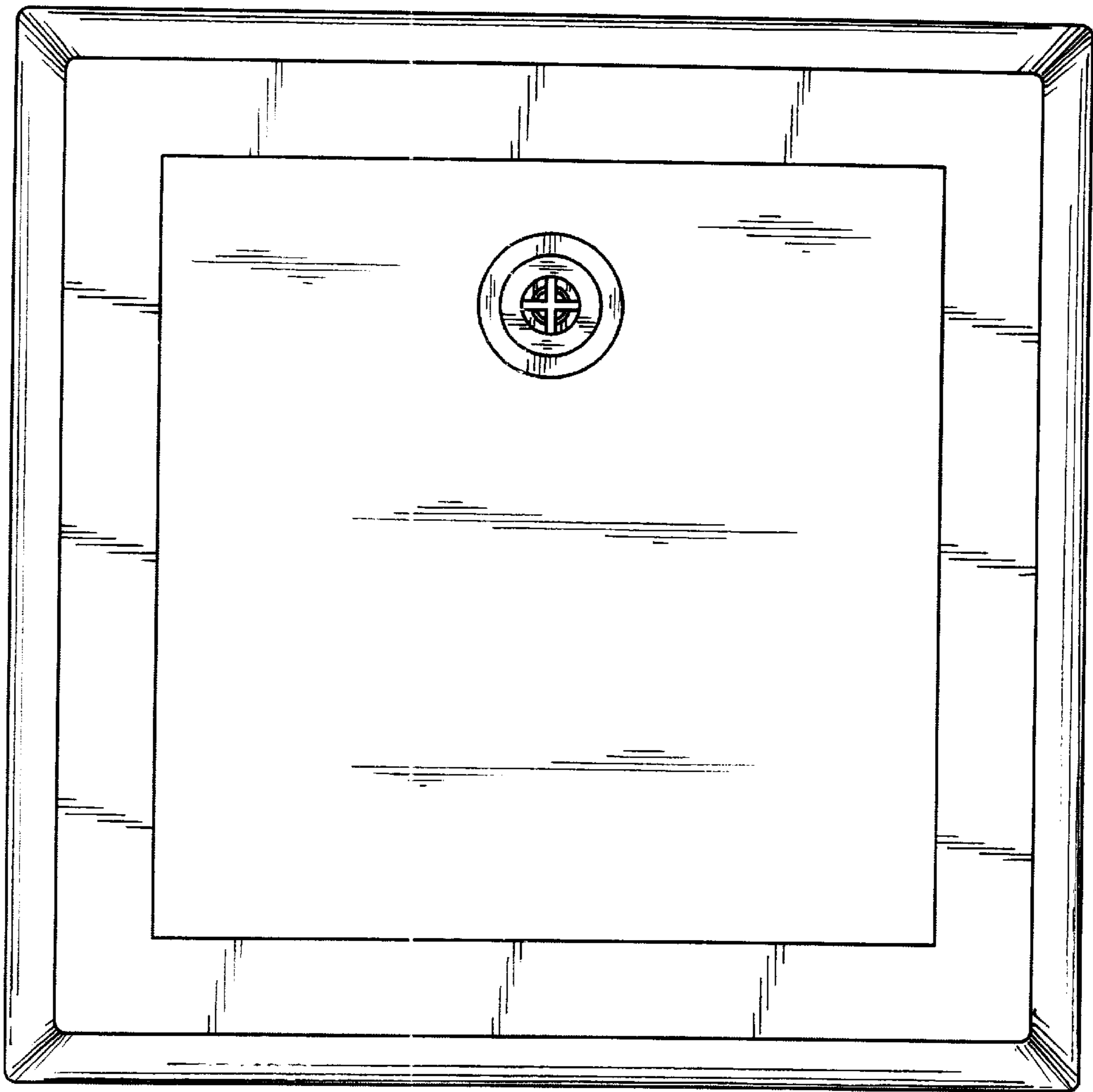


FIG. 3



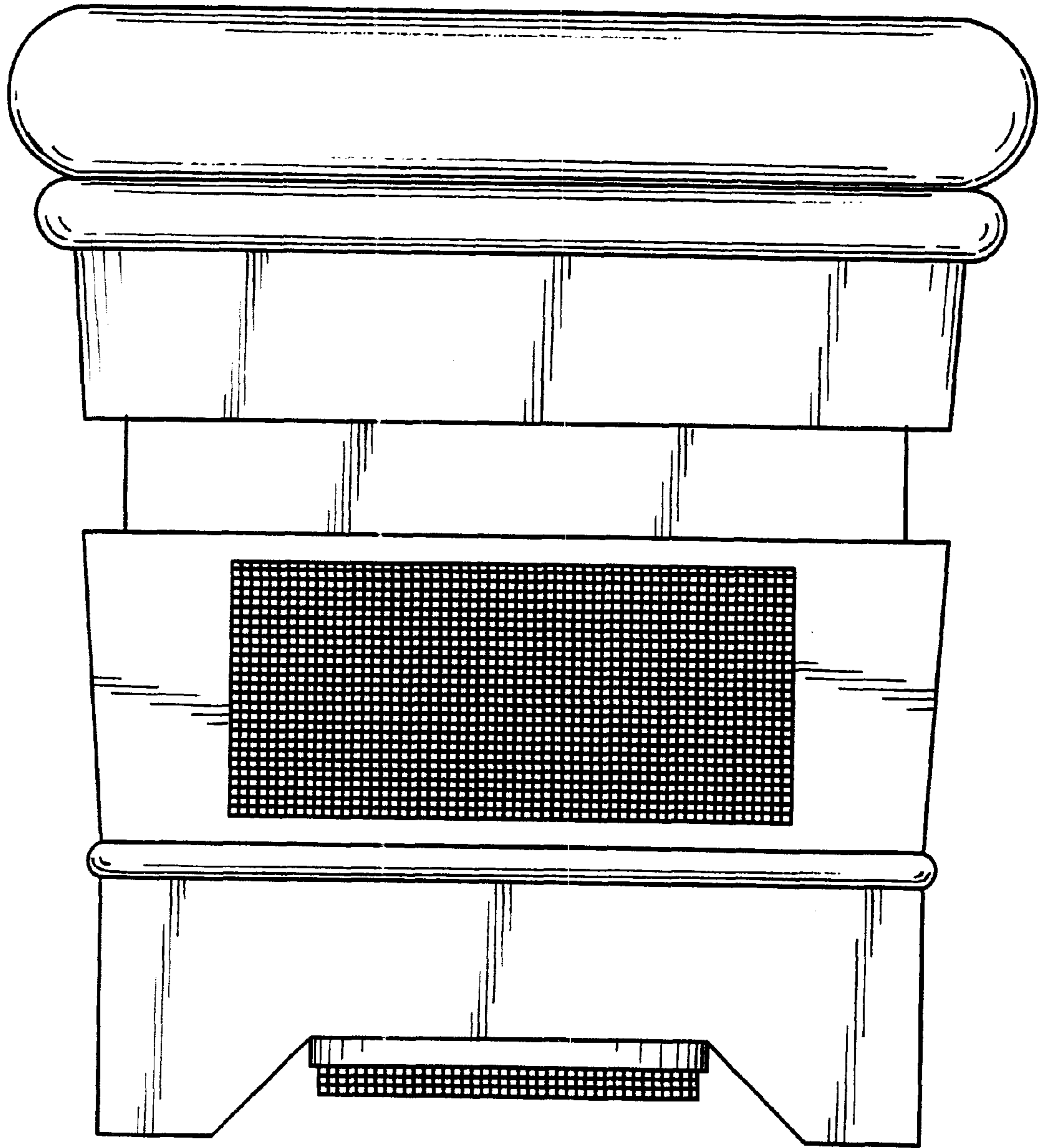


FIG. 4

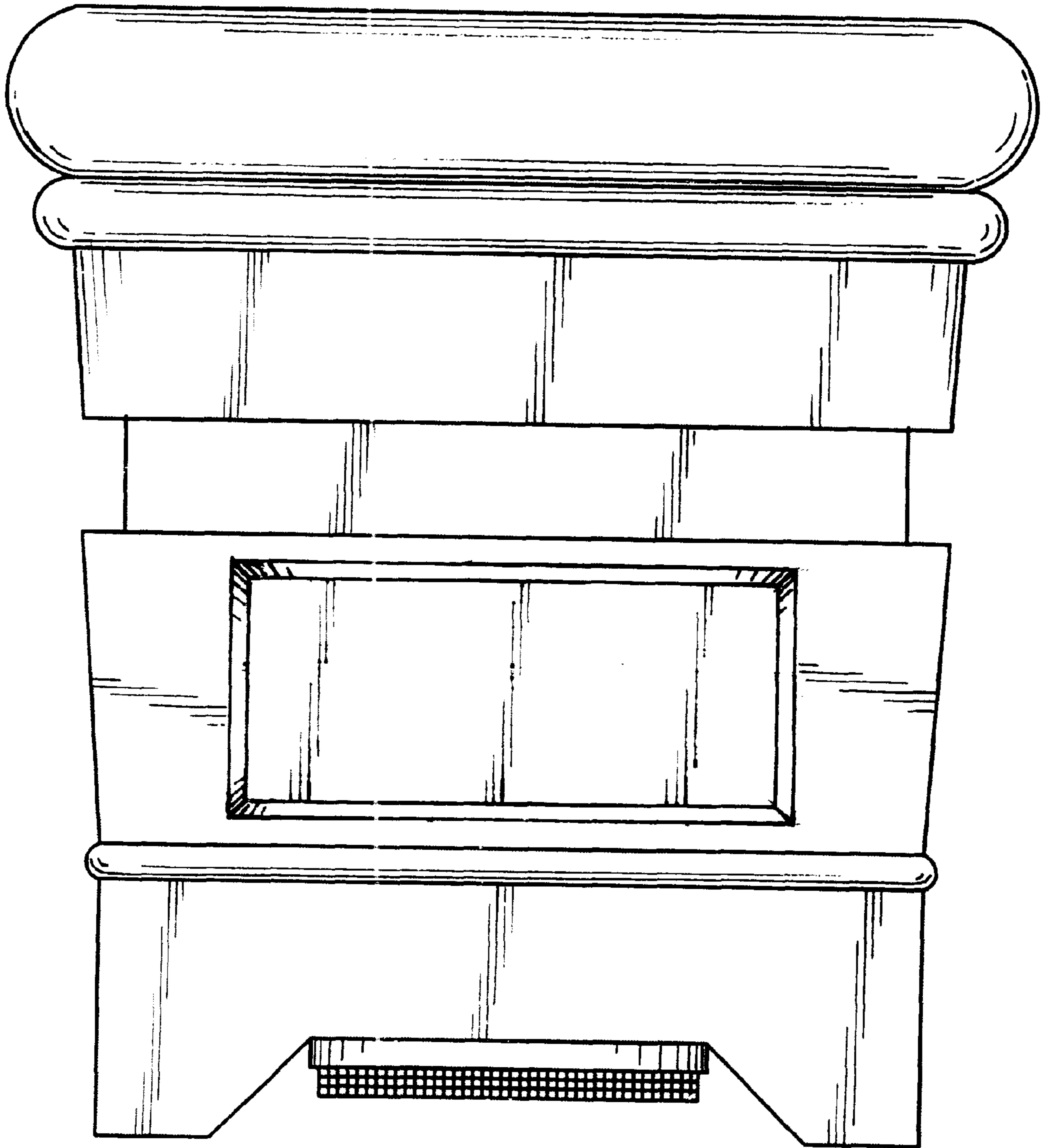


FIG. 5

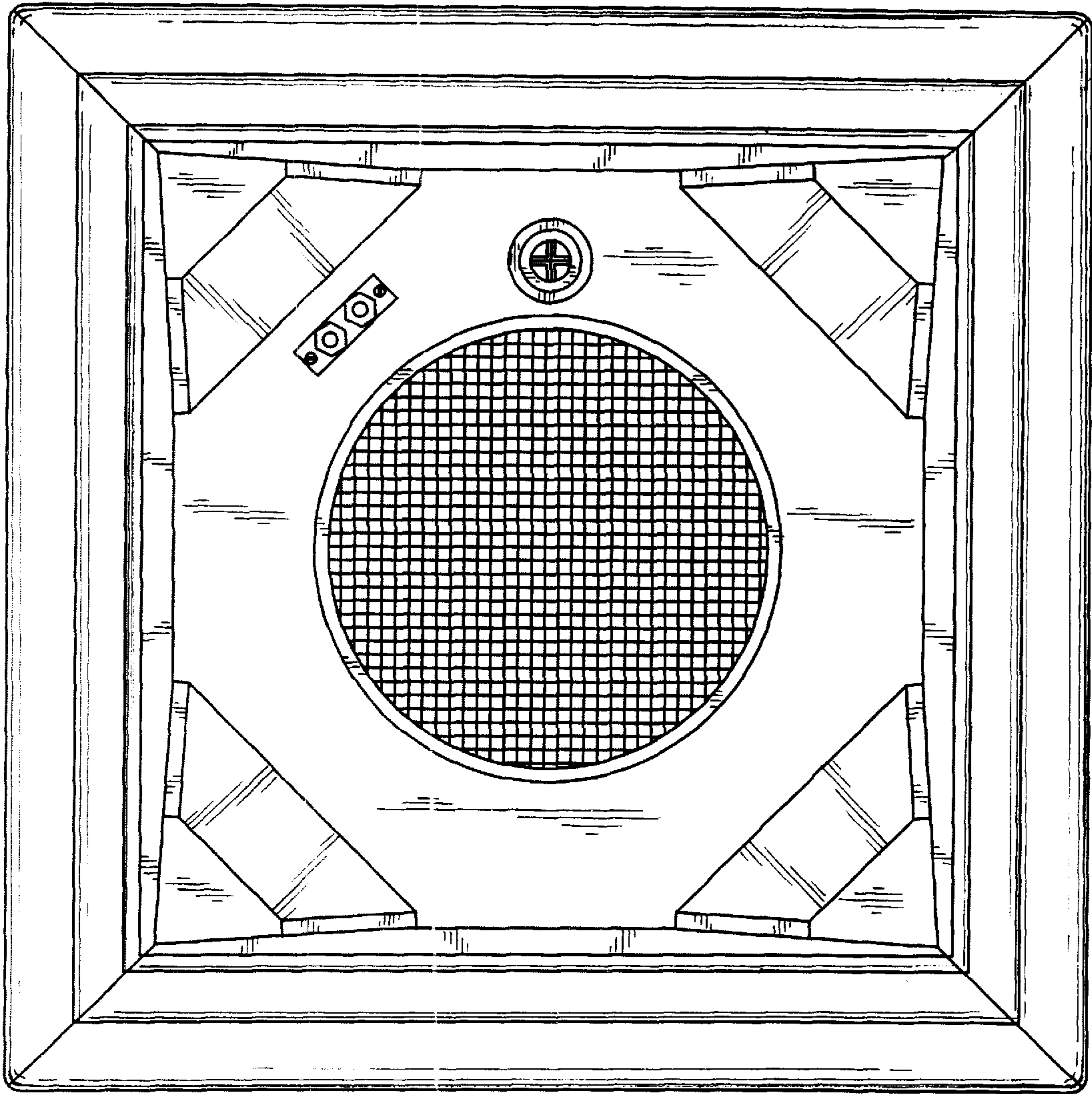


FIG. 6

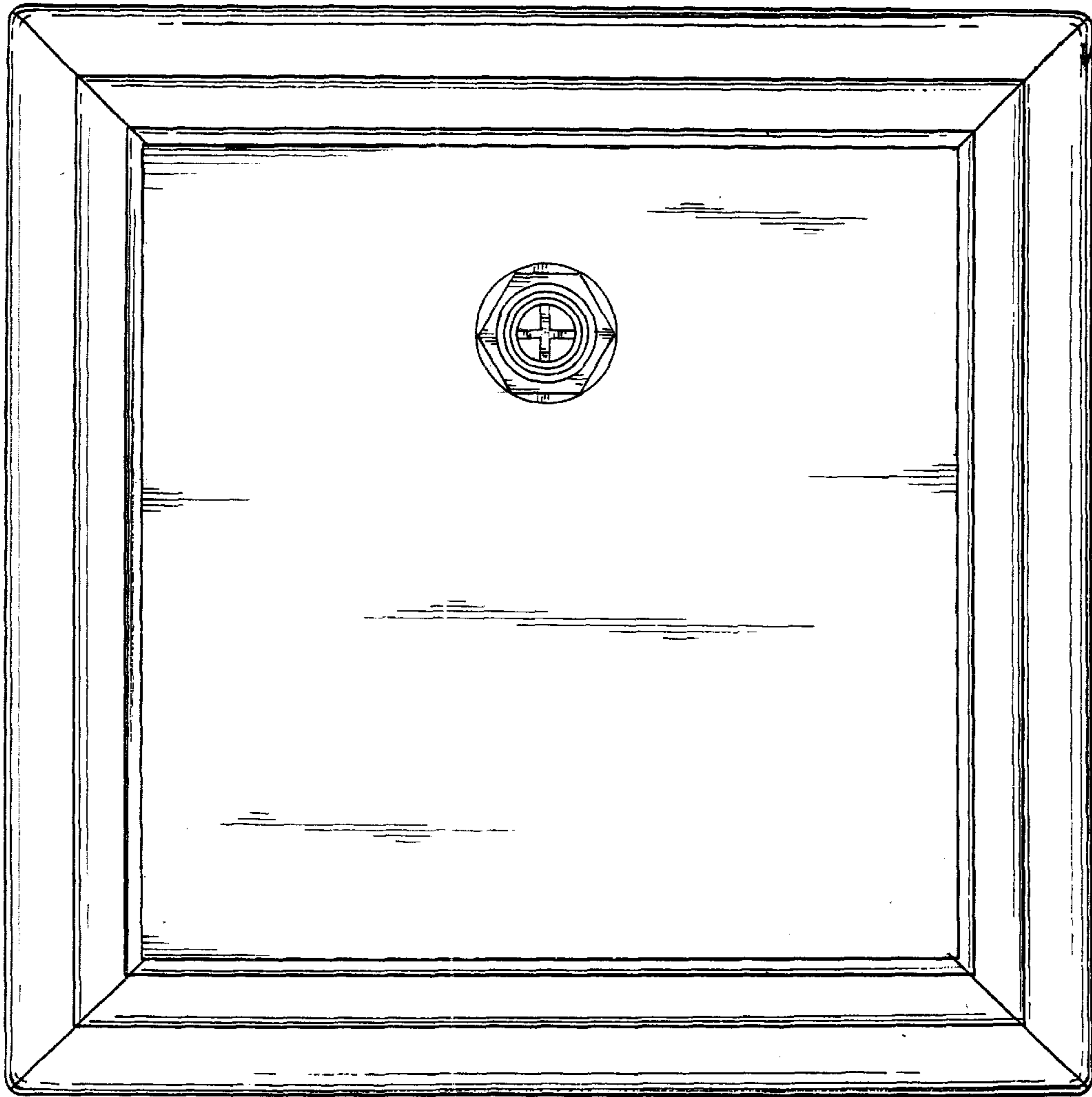


FIG. 7

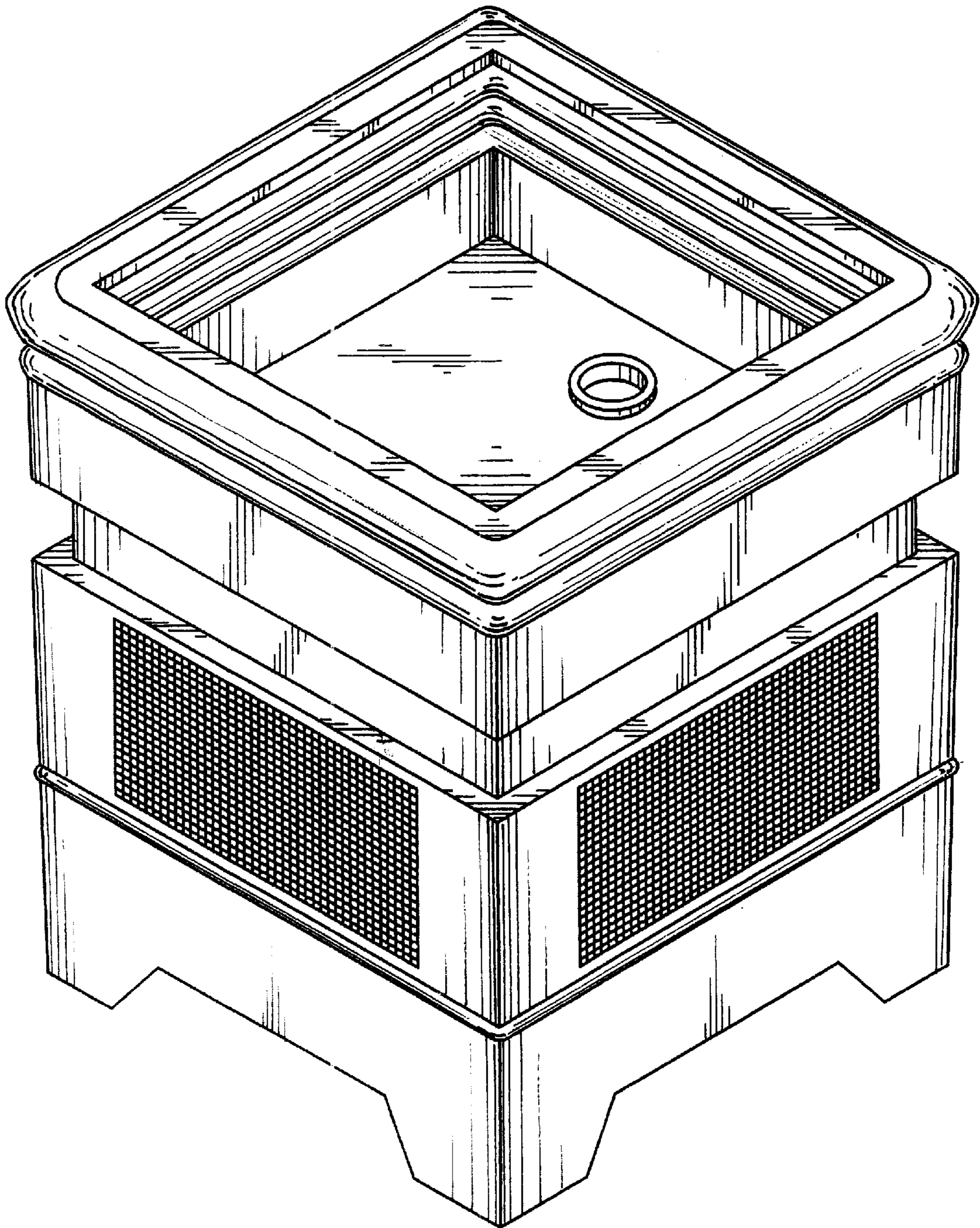
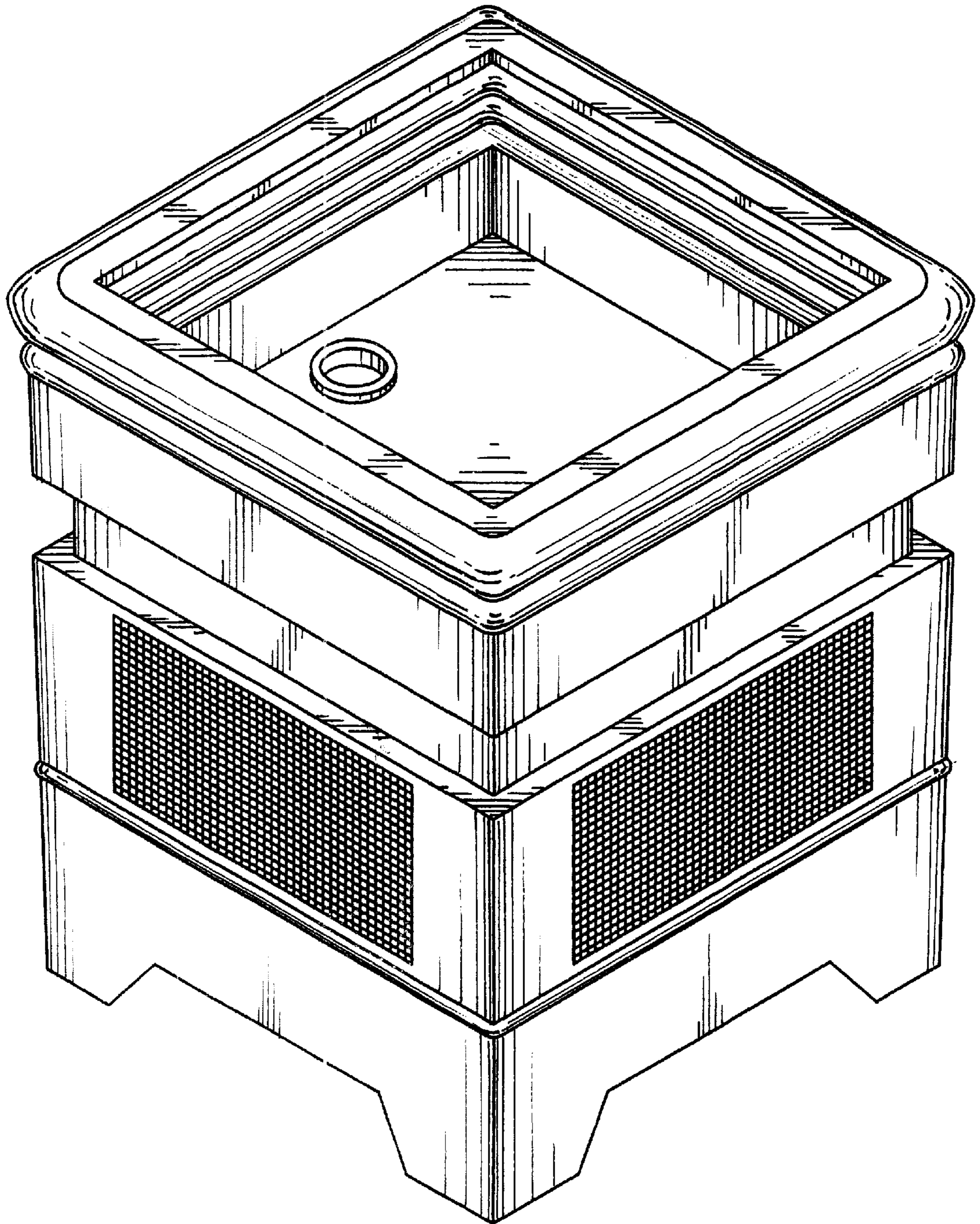


FIG.8

FIG. 9



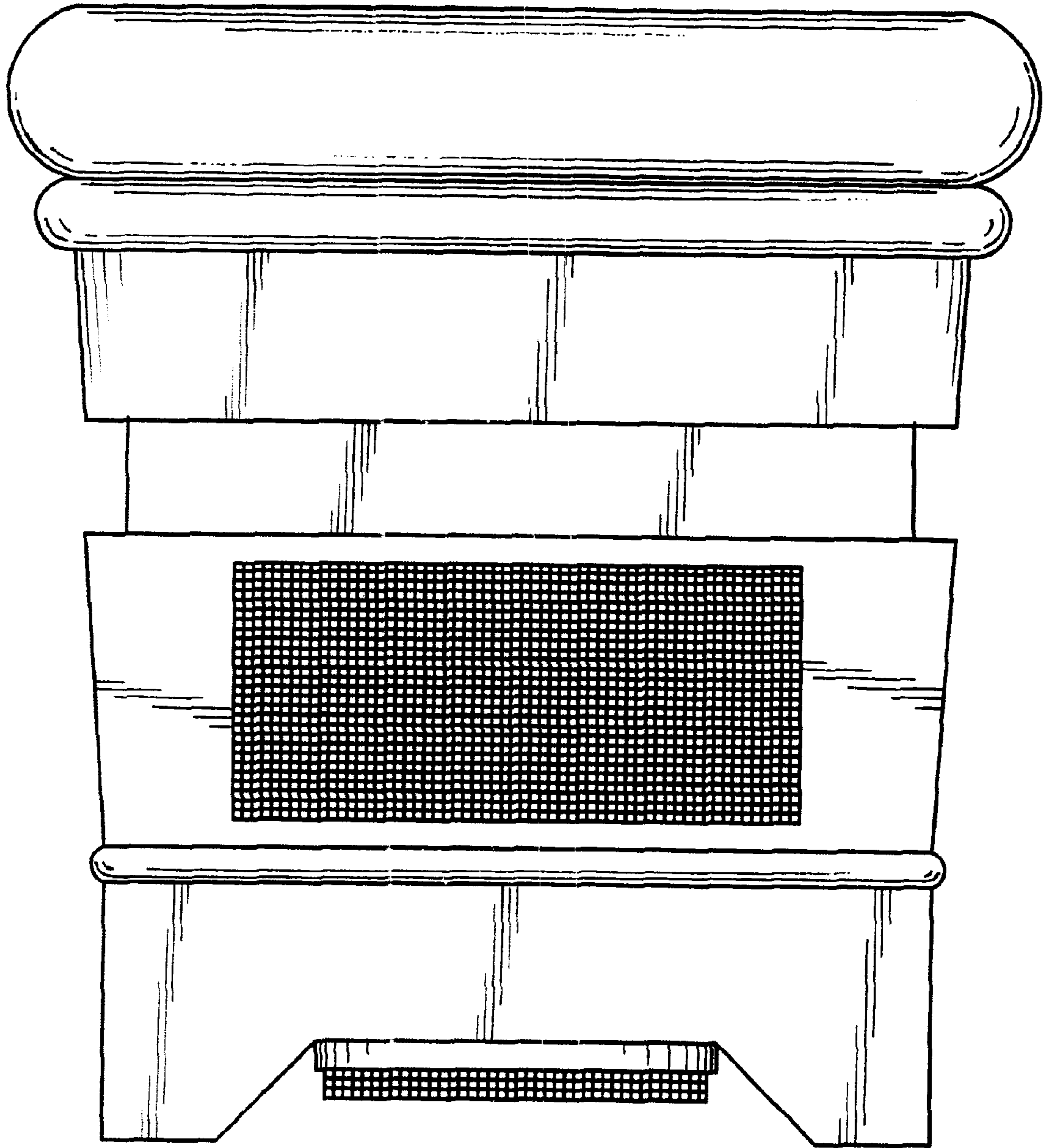


FIG. 10

FIG. 11

