



US00D456011S

(12) **United States Design Patent**
Shi et al.

(10) **Patent No.:** **US D456,011 S**

(45) **Date of Patent:** **** Apr. 23, 2002**

(54) **ELECTRICAL CONNECTOR**

(75) Inventors: **GuangXing Shi; Qiang Chen**, both of
KunSan (CN)

(73) Assignee: **Hon Hai Precision Ind. Co., Ltd.**,
Taipei Hsien (TW)

(**) Term: **14 Years**

(21) Appl. No.: **29/132,938**

(22) Filed: **Nov. 17, 2000**

(30) **Foreign Application Priority Data**

Nov. 15, 2000 (TW) 089307633

(51) **LOC (7) Cl.** **13-03**

(52) **U.S. Cl.** **D13/147**

(58) **Field of Search** D13/147; 439/79,
439/108, 607, 901

(56) **References Cited**

U.S. PATENT DOCUMENTS

4,072,402 A * 2/1978 Butler 439/901 X

D408,014 S * 4/1999 Lai et al. D13/147
D421,420 S * 3/2000 Wu D13/147
D429,219 S * 8/2000 Chiou D13/147
D434,383 S * 11/2000 Hu et al. D13/147
6,155,868 A * 12/2000 Wu et al. 439/607 X
6,290,515 B1 * 9/2001 Lee 439/108

* cited by examiner

Primary Examiner—Joel Sincavage

(74) *Attorney, Agent, or Firm*—Wei Te Chung

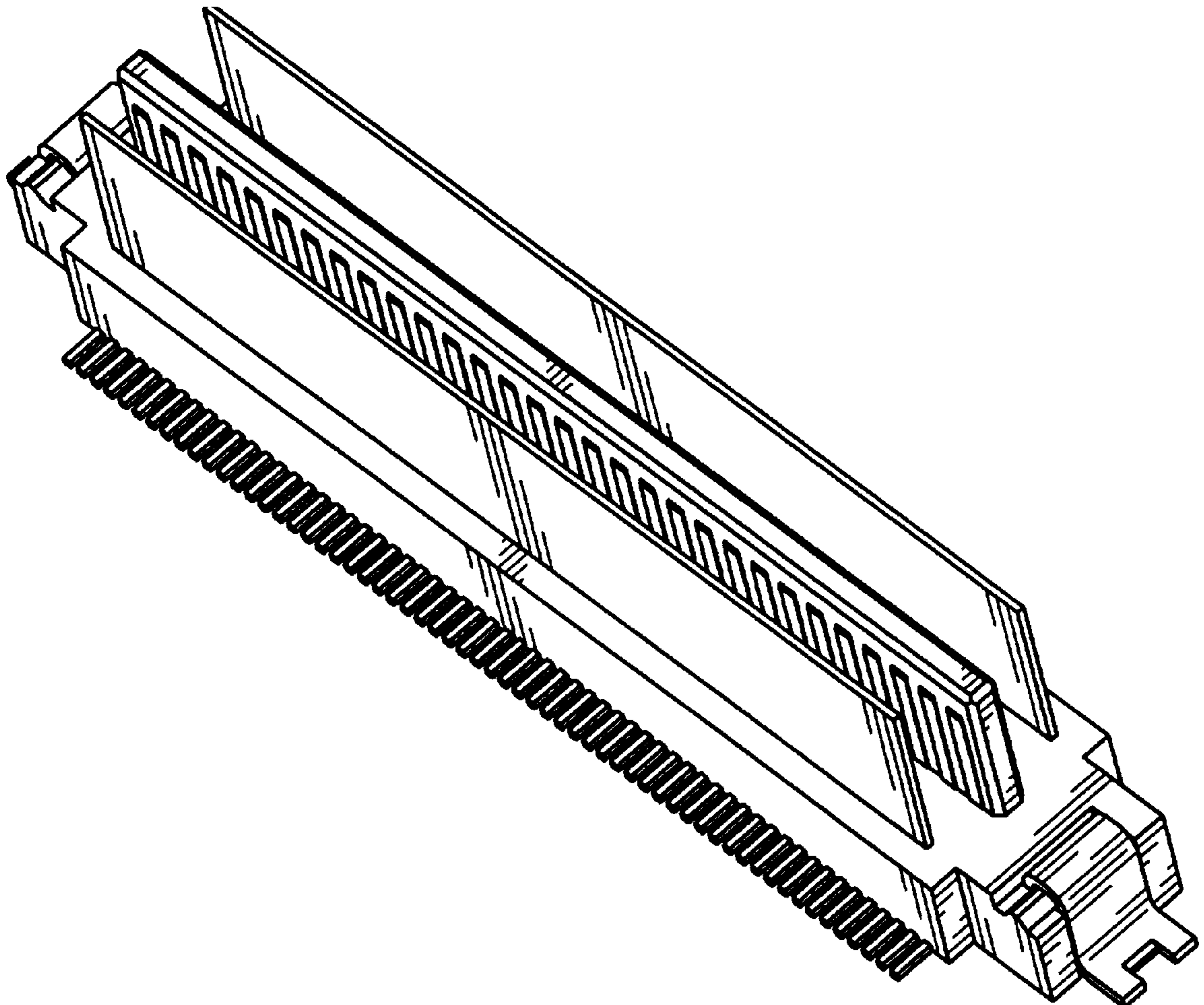
(57) **CLAIM**

The ornamental design for an electrical connector, as shown.

DESCRIPTION

FIG. 1 is a front, top and right side perspective view of an electrical connector showing our new design; FIG. 2 is a front elevational view thereof; FIG. 3 is a rear elevational view thereof; FIG. 4 is a left side elevational view thereof; FIG. 5 is a right side elevational view thereof; FIG. 6 is a top plan view thereof; and, FIG. 7 is a bottom plan view thereof.

1 Claim, 4 Drawing Sheets



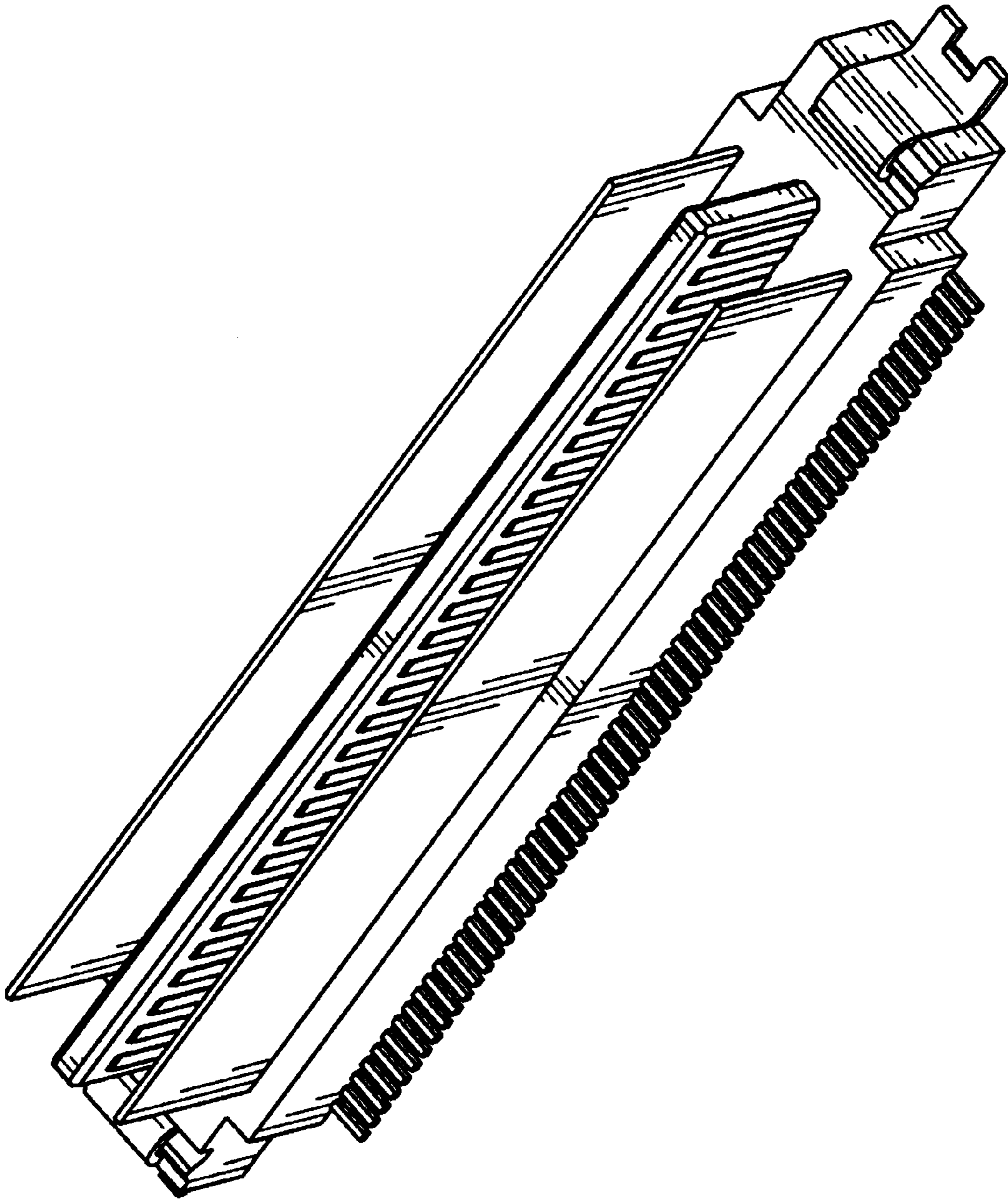


FIG. 1

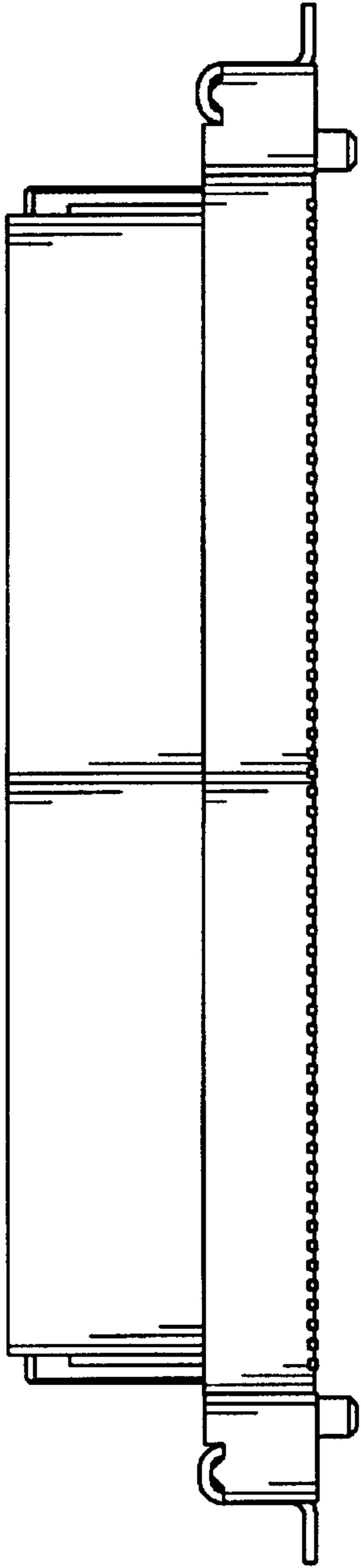


FIG. 2

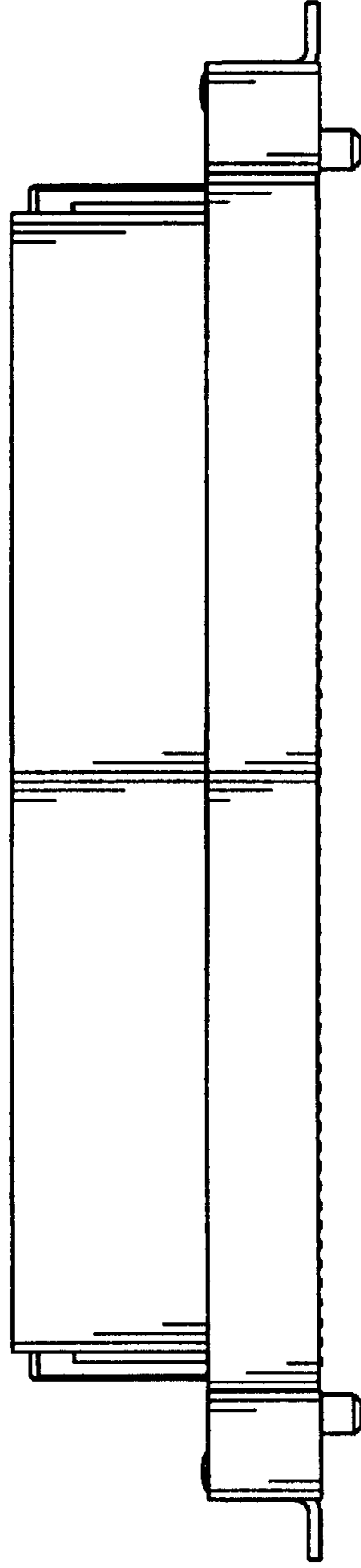


FIG. 3

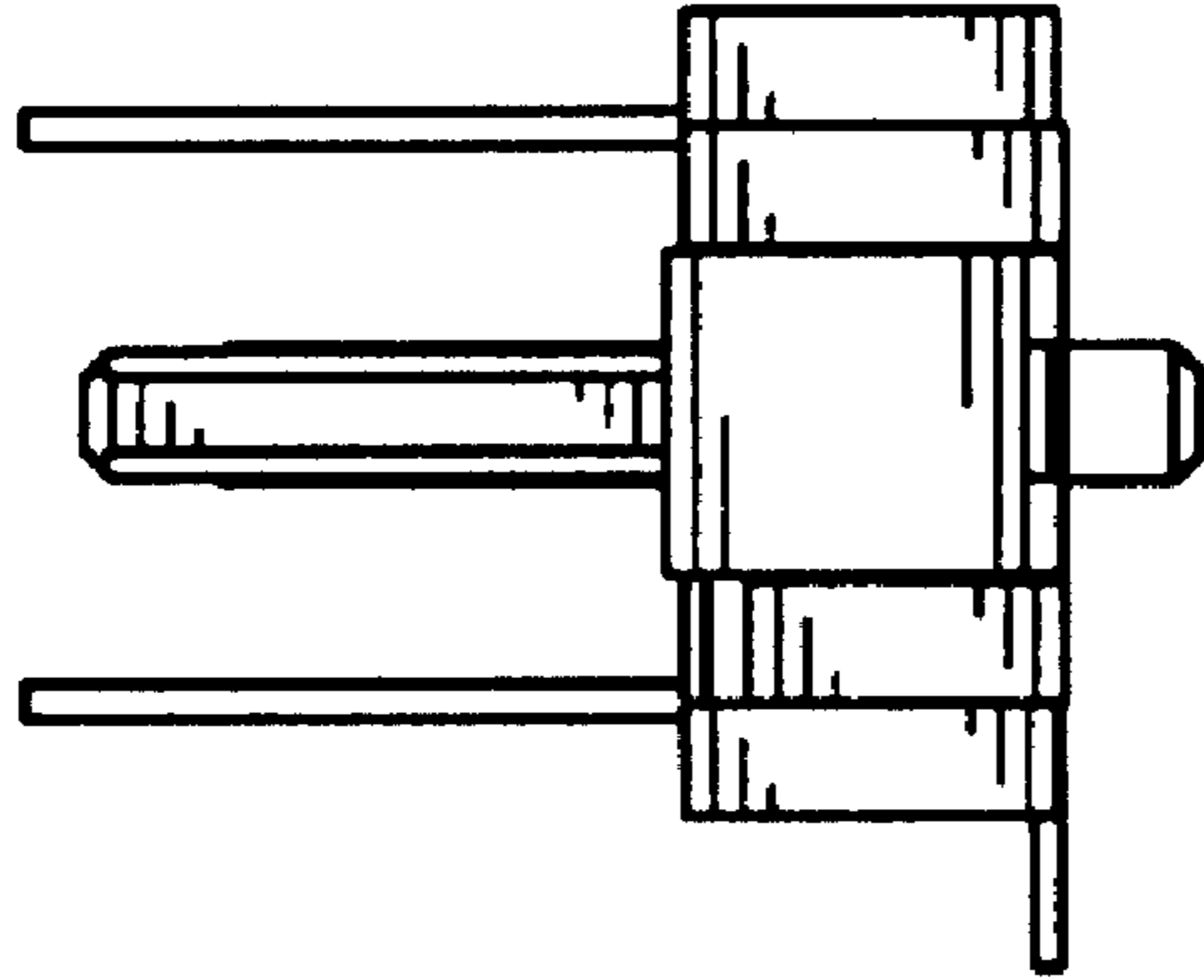


FIG. 4

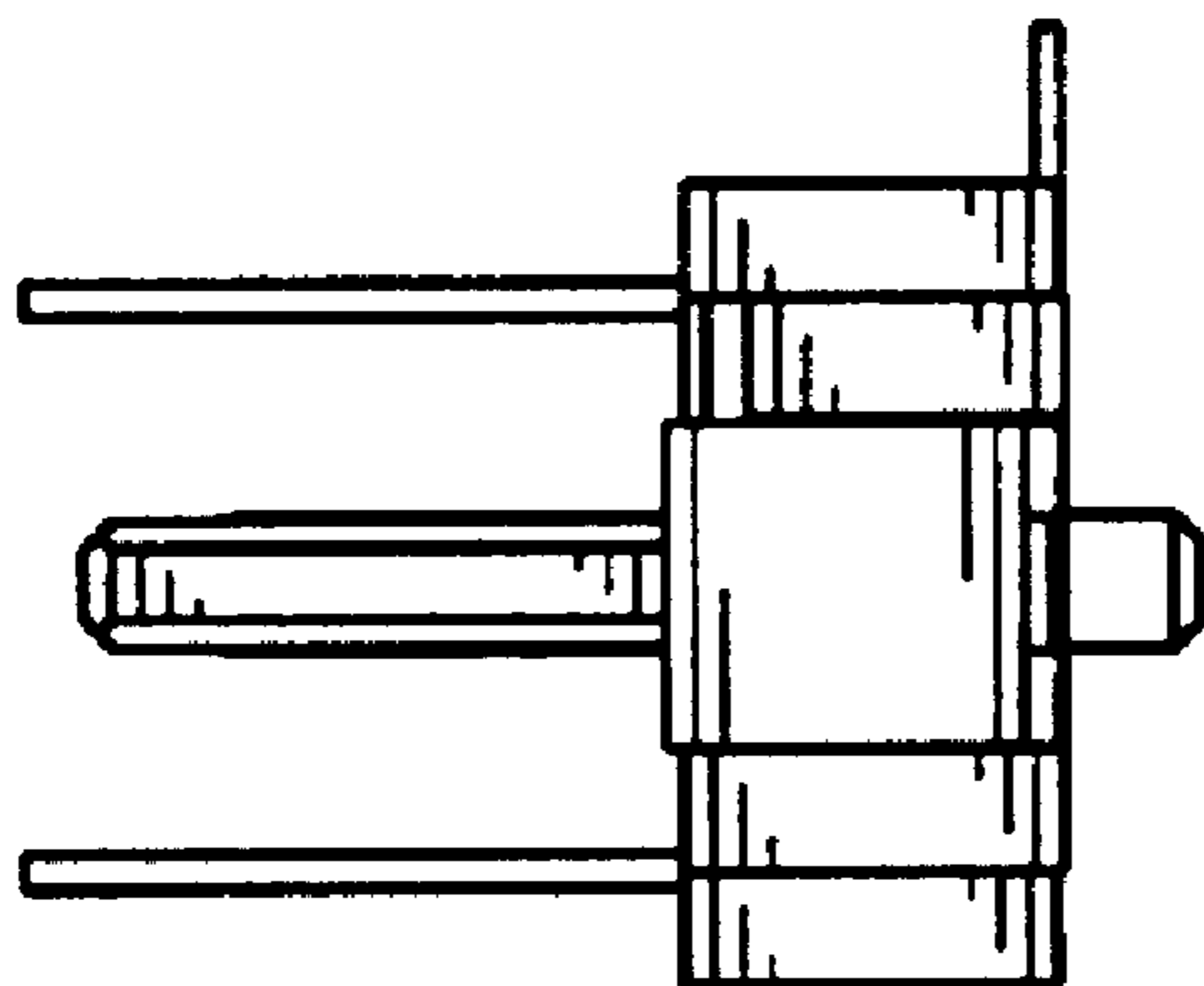


FIG. 5

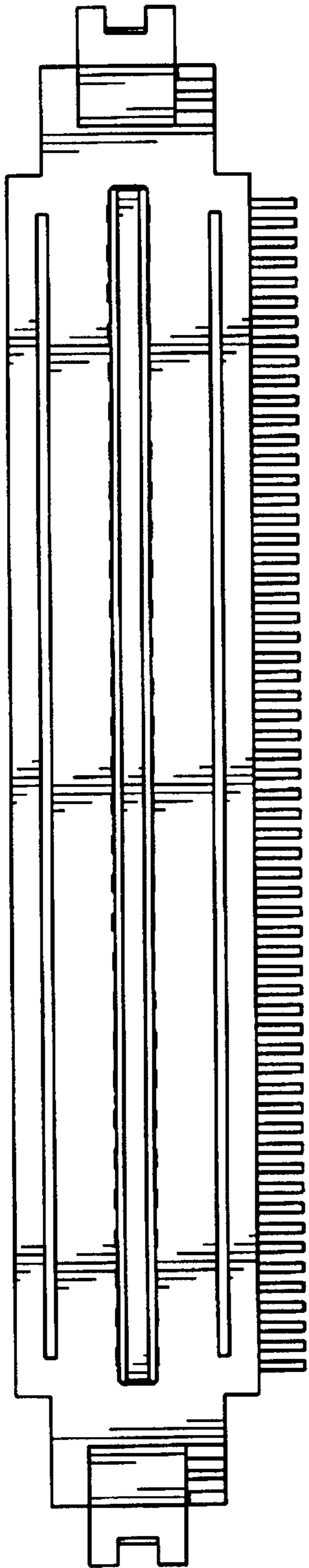


FIG. 6

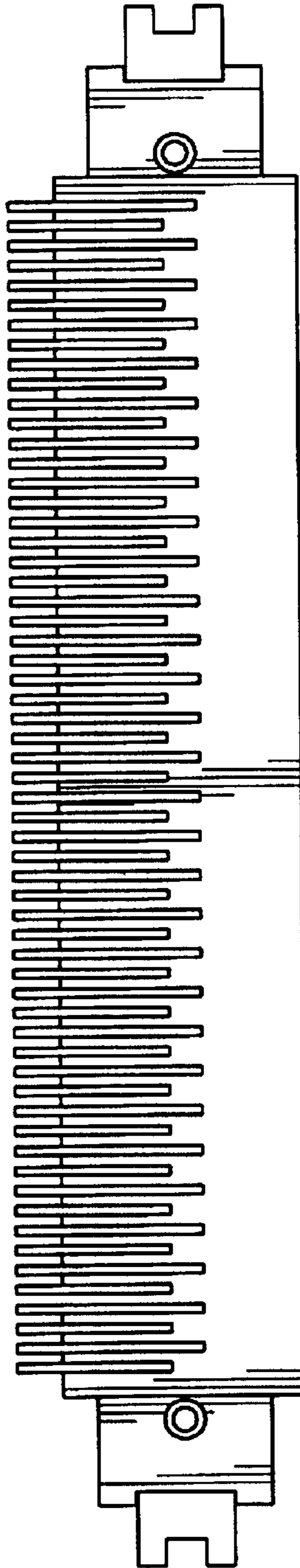


FIG. 7