



US00D456009S

(12) **United States Design Patent**
Tong et al.

(10) **Patent No.:** **US D456,009 S**

(45) **Date of Patent:** **** Apr. 23, 2002**

(54) **MULTI PORT HUB**

(75) Inventors: **Eric Tong**, Los Angeles; **Ernesto V. Quinteros**, Burbank; **Kevin S. Hayes**, Santa Monica; **Vijendra Nalwad**, Thousand Oaks; **Oliver Duncan Seil**, Pasadena, all of CA (US)

(73) Assignee: **Belkin Components**, Compton, CA (US)

(**) Term: **14 Years**

(21) Appl. No.: **29/138,374**

(22) Filed: **Mar. 12, 2001**

(51) **LOC (7) Cl.** **13-03**

(52) **U.S. Cl.** **D13/123**

(58) **Field of Search** D13/123; D14/356, D14/357, 358, 433, 434, 299; 397/90.01, 93.01, 93.05; 709/223, 224; 385/135

(56) **References Cited**

U.S. PATENT DOCUMENTS

5,235,665	A	*	8/1993	Marchesi et al.	385/135
5,761,459	A	*	6/1998	Schnoor et al.	395/309
D396,471	S	*	7/1998	Kolinen	D14/240
D404,709	S	*	1/1999	Oba	D13/147
D406,115	S	*	2/1999	Renk	D14/356
6,081,356	A	*	6/2000	Branc et al.	359/118
6,167,183	A	*	12/2000	Swain	385/135

* cited by examiner

Primary Examiner—Joel Sincavage
(74) *Attorney, Agent, or Firm*—Bryan Cave LLP

(57) **CLAIM**

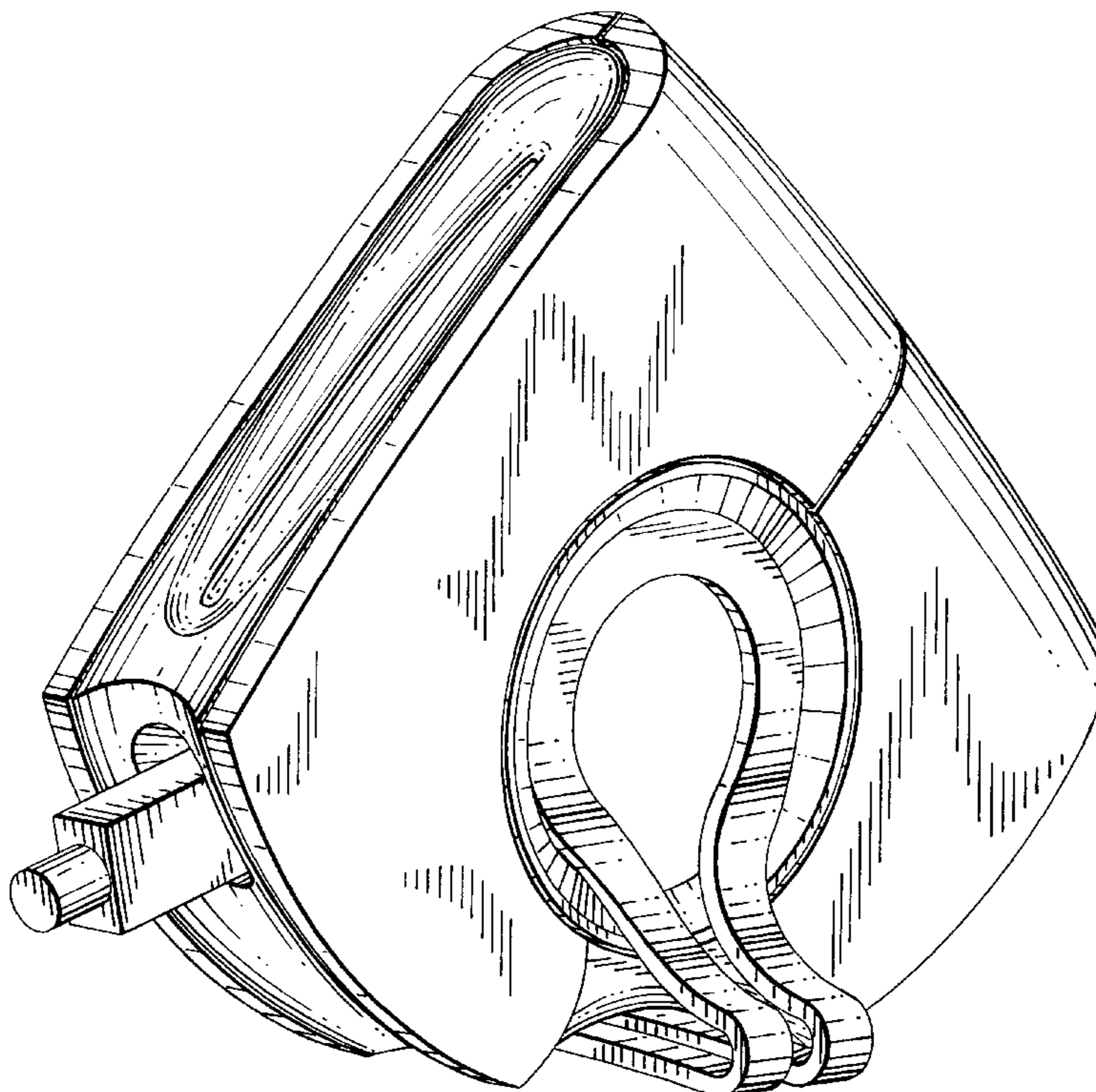
We claim the ornamental design for the multi port hub, as shown and described.

DESCRIPTION

FIG. 1 is an isometric view the multi port hub design;
 FIG. 2 is a right side view of the multi port hub design of FIG. 1;
 FIG. 3 is a left side view of the multi port hub design of FIG. 1;
 FIG. 4 is a front view of the multi port hub design of FIG. 1;
 FIG. 5 is a rear view of the multi port hub design of FIG. 1;
 FIG. 6 is a top view of the multi port hub design of FIG. 1;
 FIG. 7 is a bottom view of the multi port hub design of FIG. 1;
 FIG. 8 is a rear view of the multi port hub design of FIG. 5 with the cover removed;
 FIG. 9 is an isometric view of the multi port hub design of FIG. 1 with the cover removed; and,
 FIG. 10 is an isometric view of the multi port hub design of FIG. 1 with the cover and base removed.

The claimed design is directed to the appearance of the hub in its assembled state and is shown partially disassembled in FIGS. 9 and 10 for the purpose of clarifying aspects of the assembled design that may not be apparent from the other views.

1 Claim, 10 Drawing Sheets



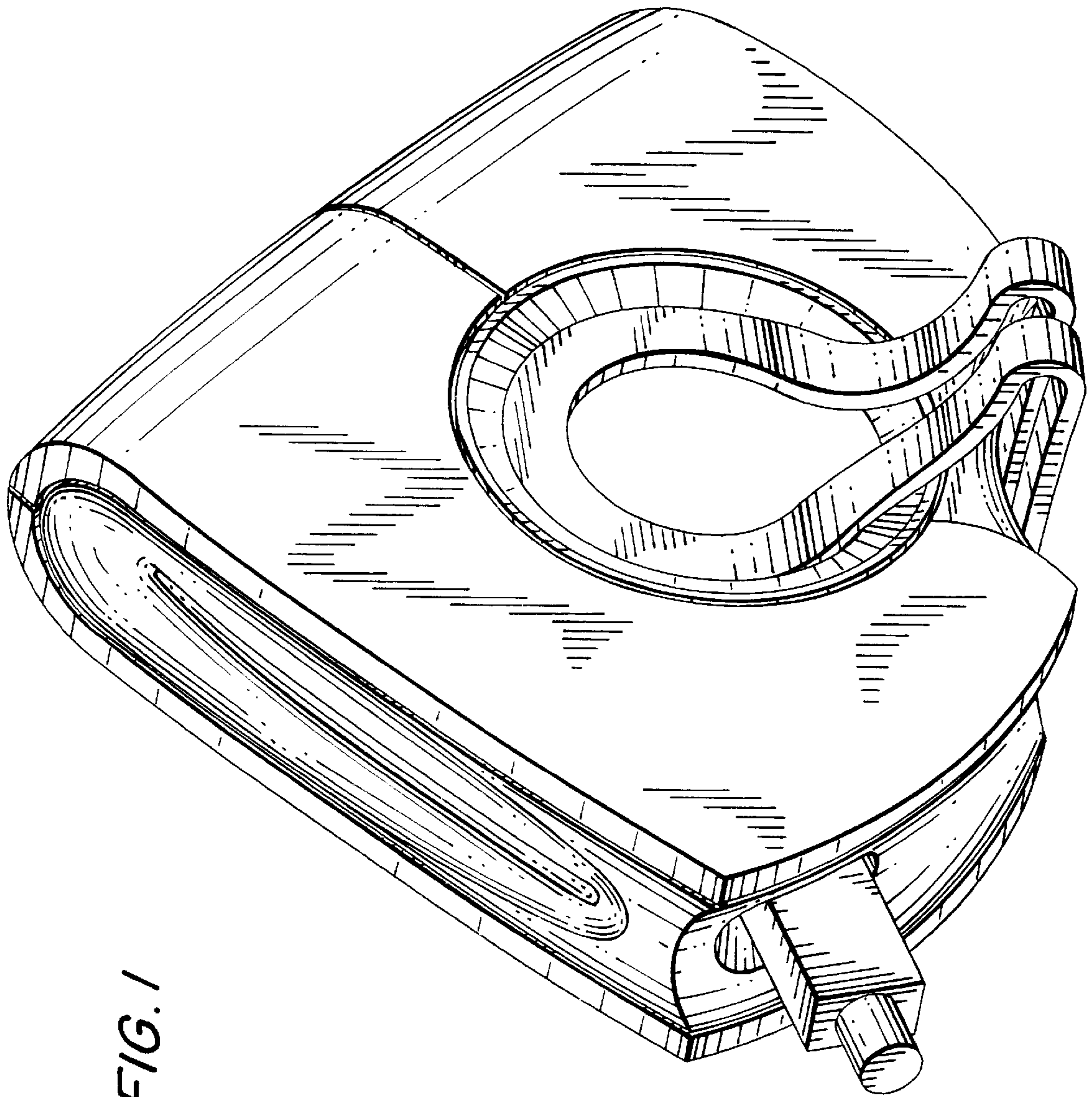


FIG. 1

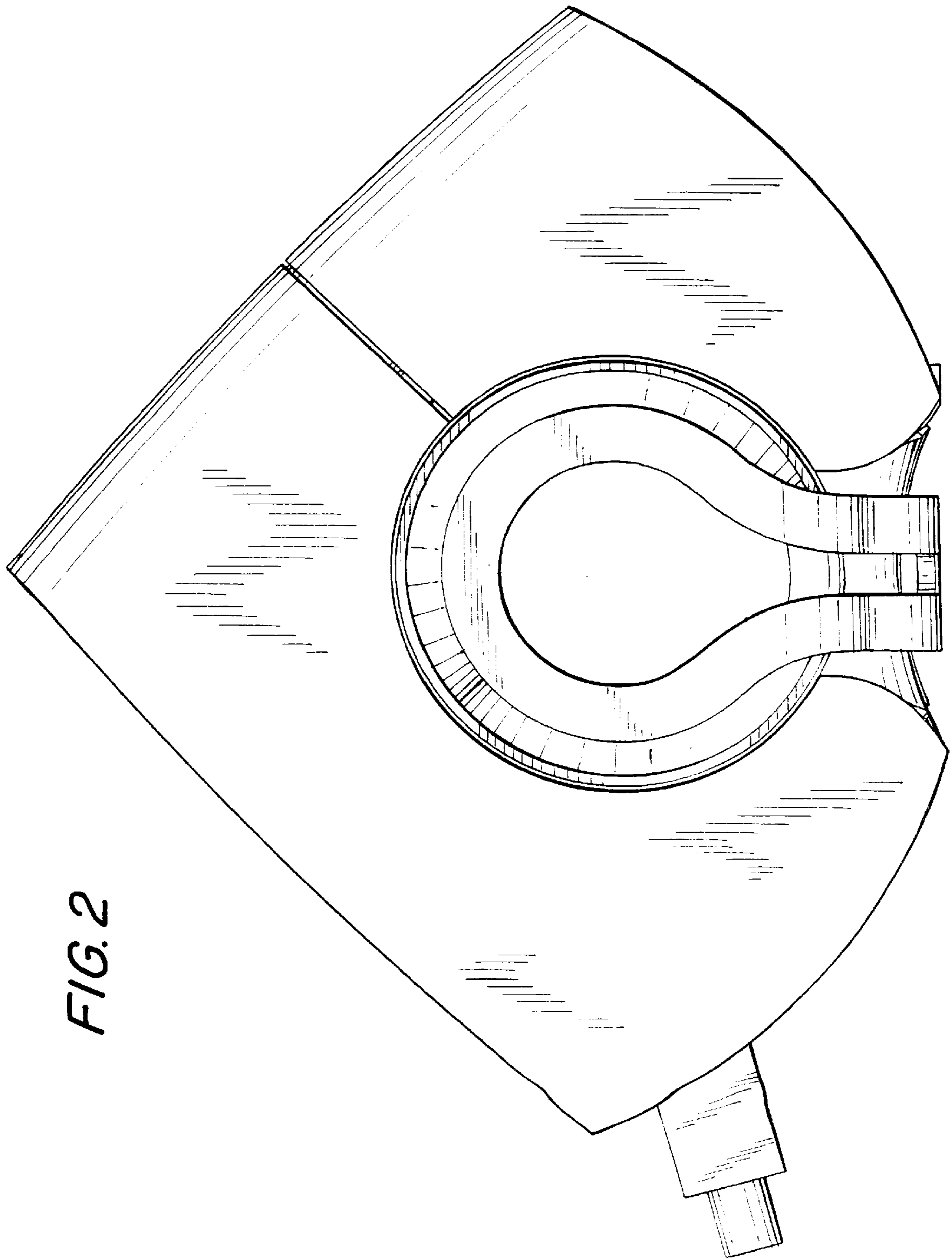


FIG. 2

FIG. 3

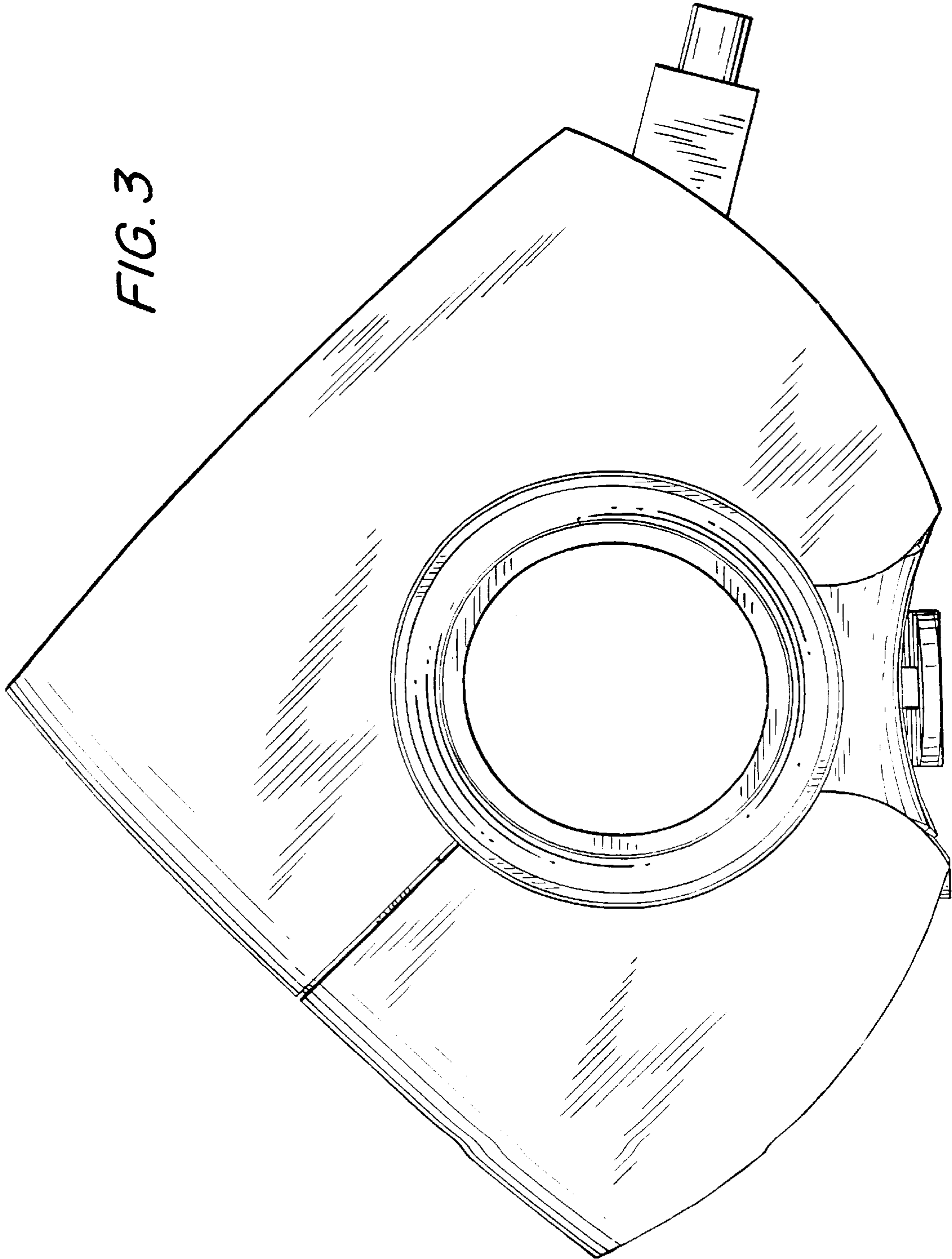


FIG. 4

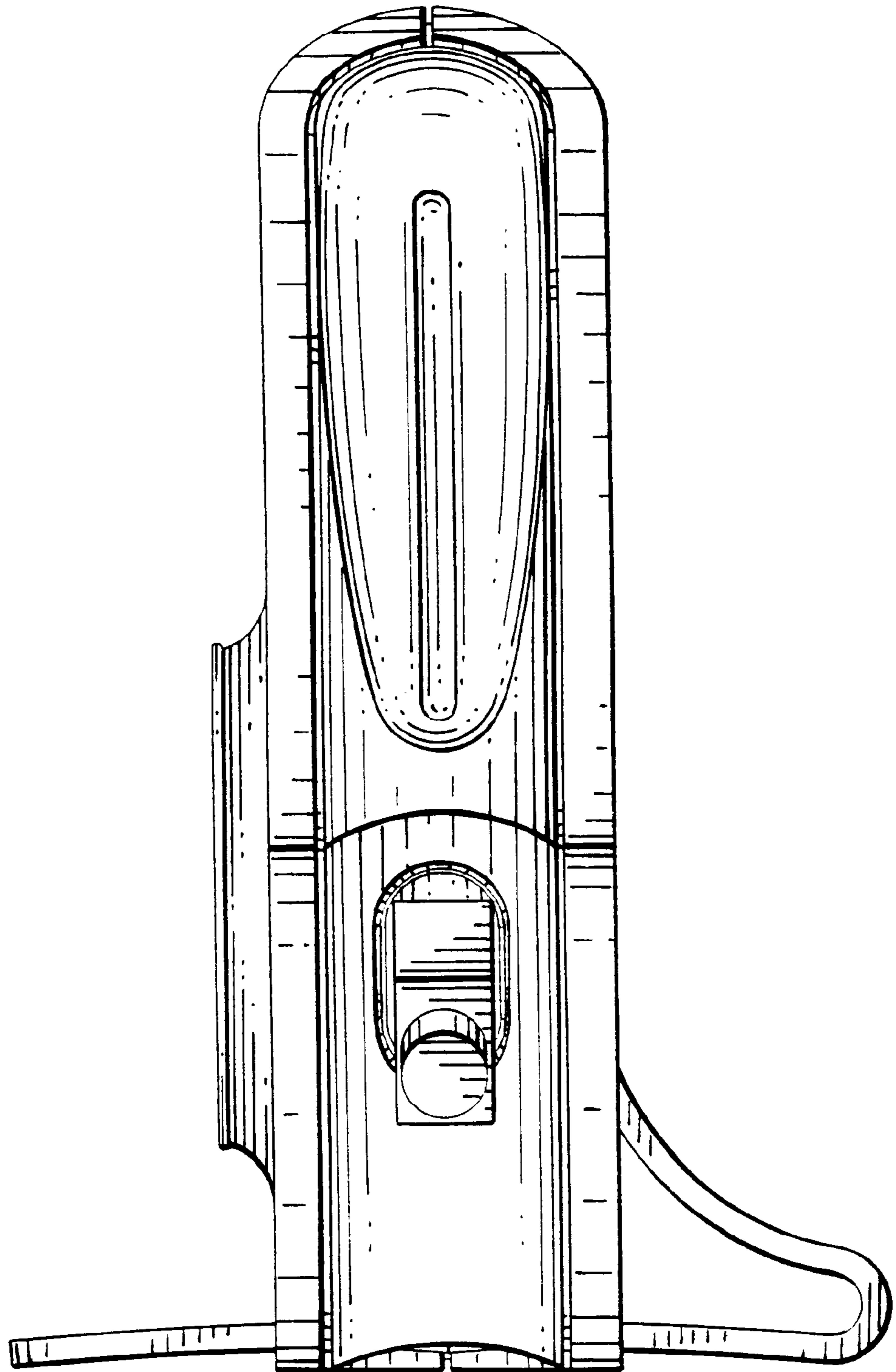


FIG. 5

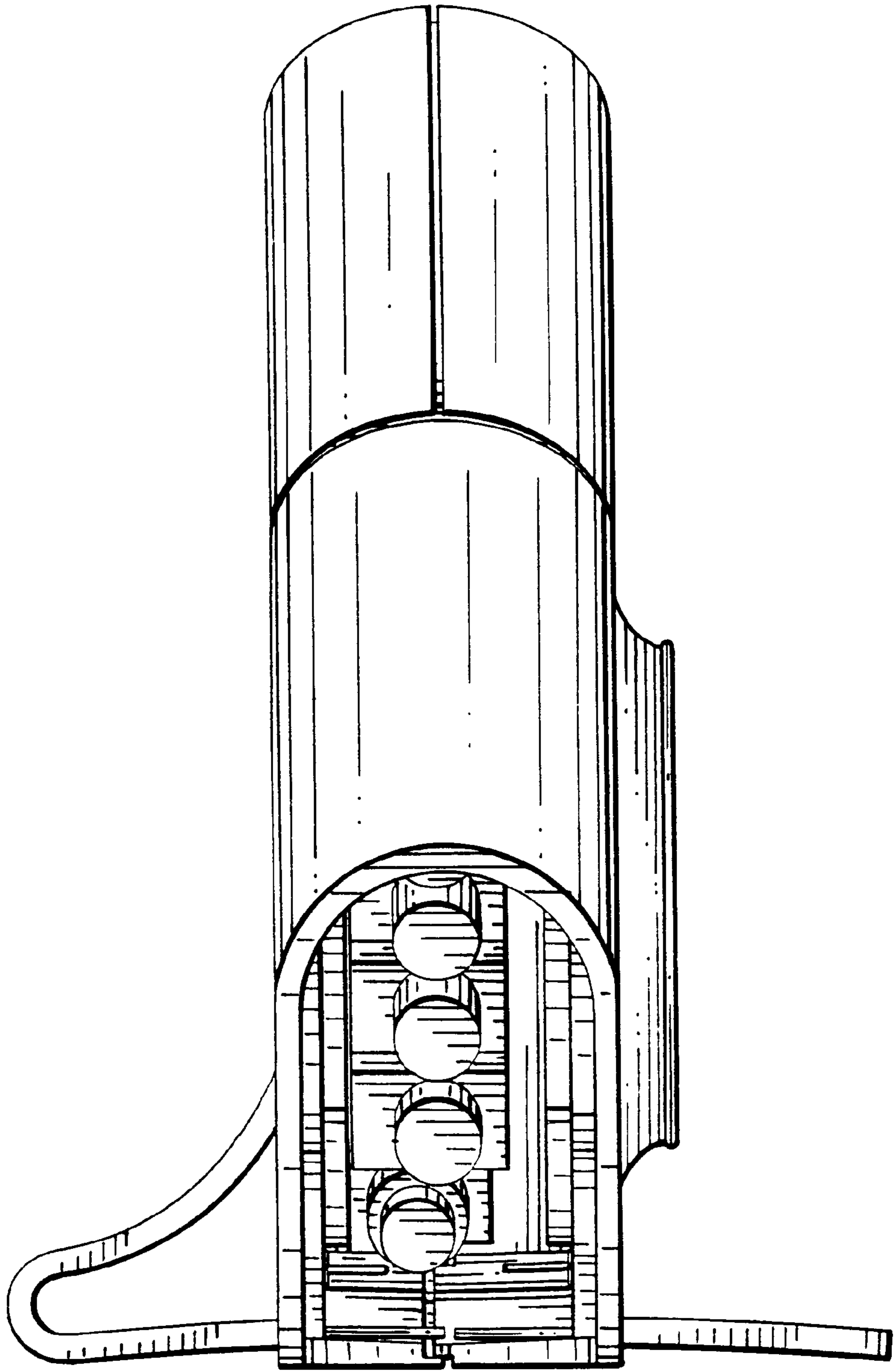


FIG. 6

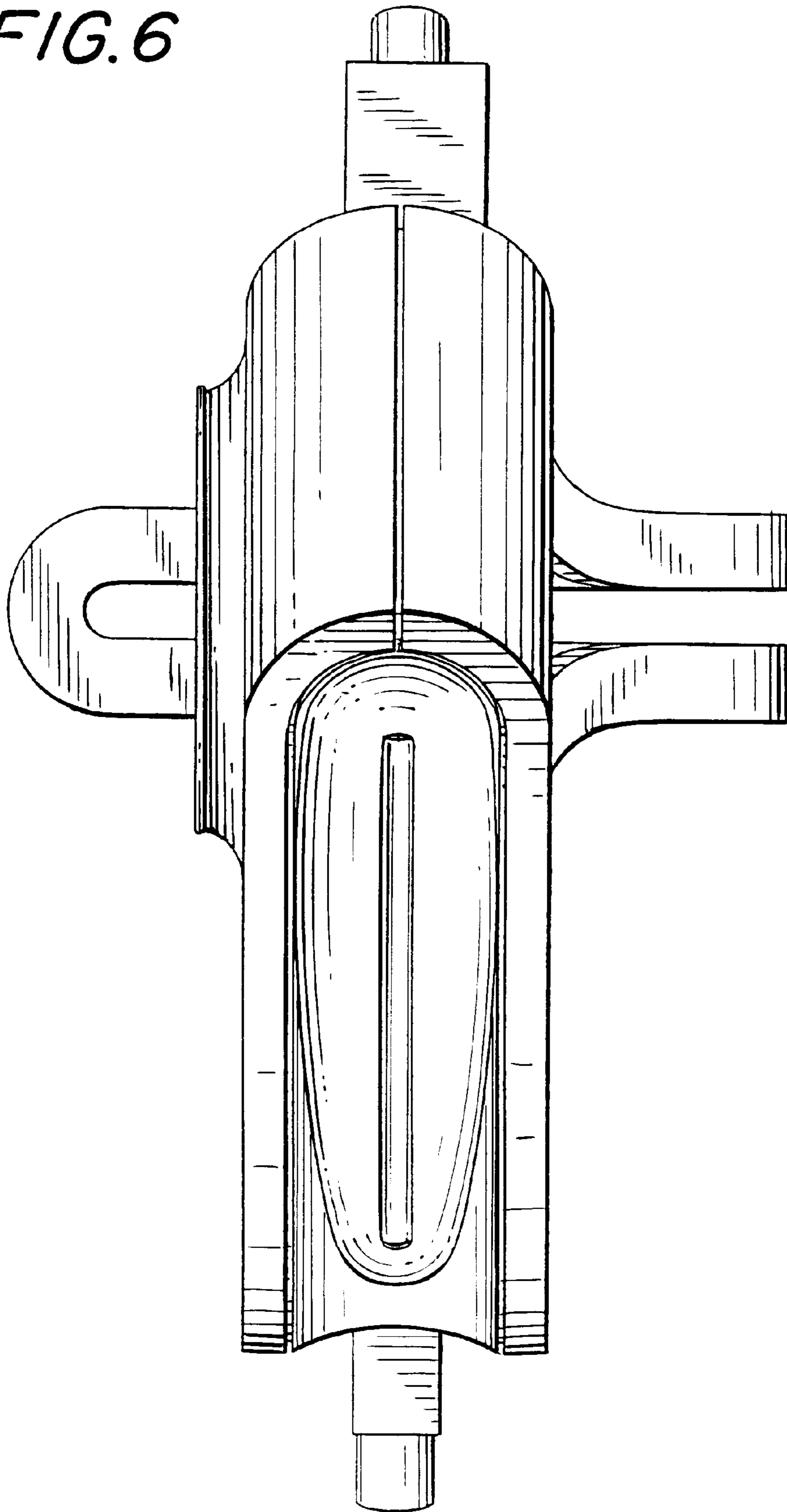


FIG. 7

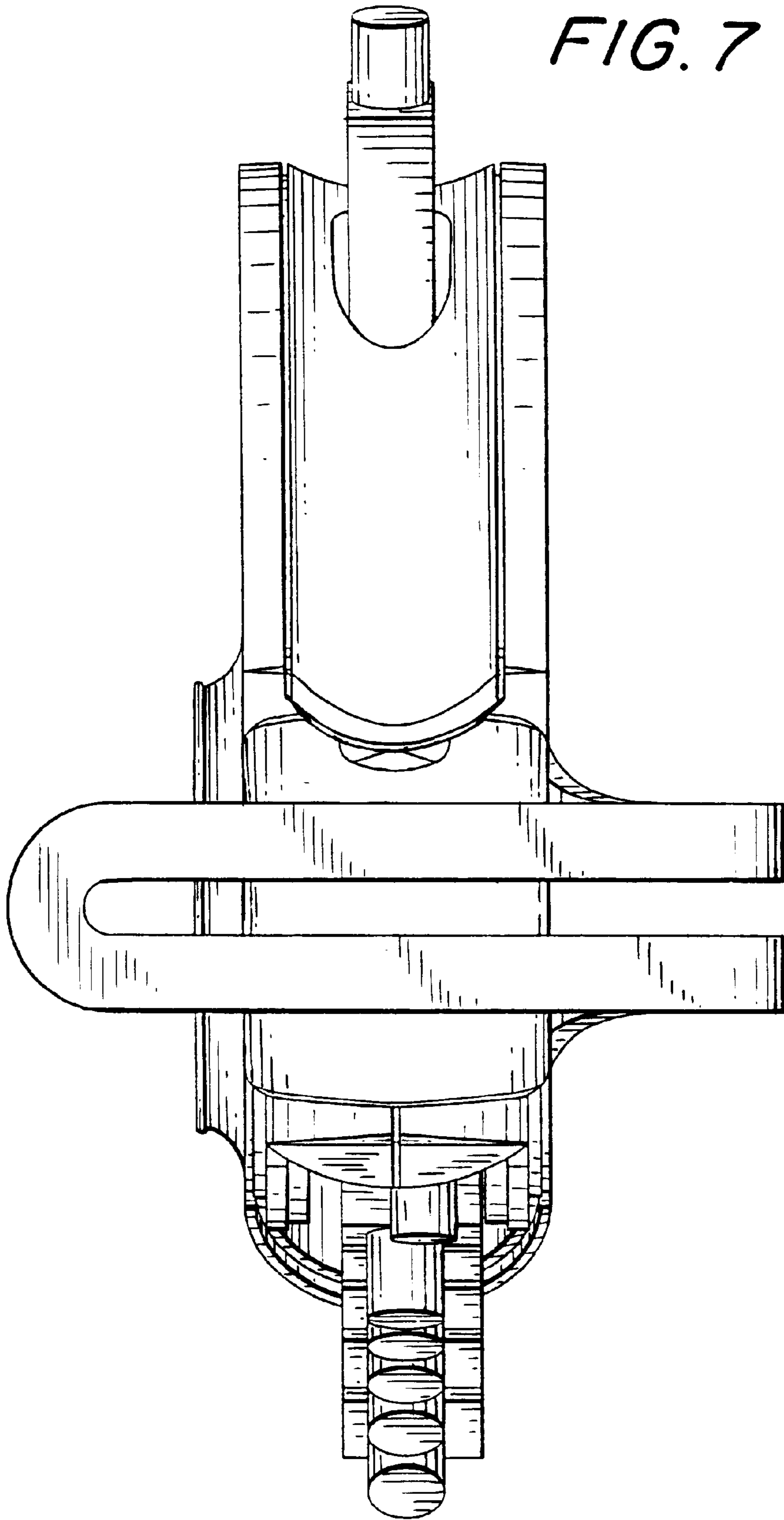
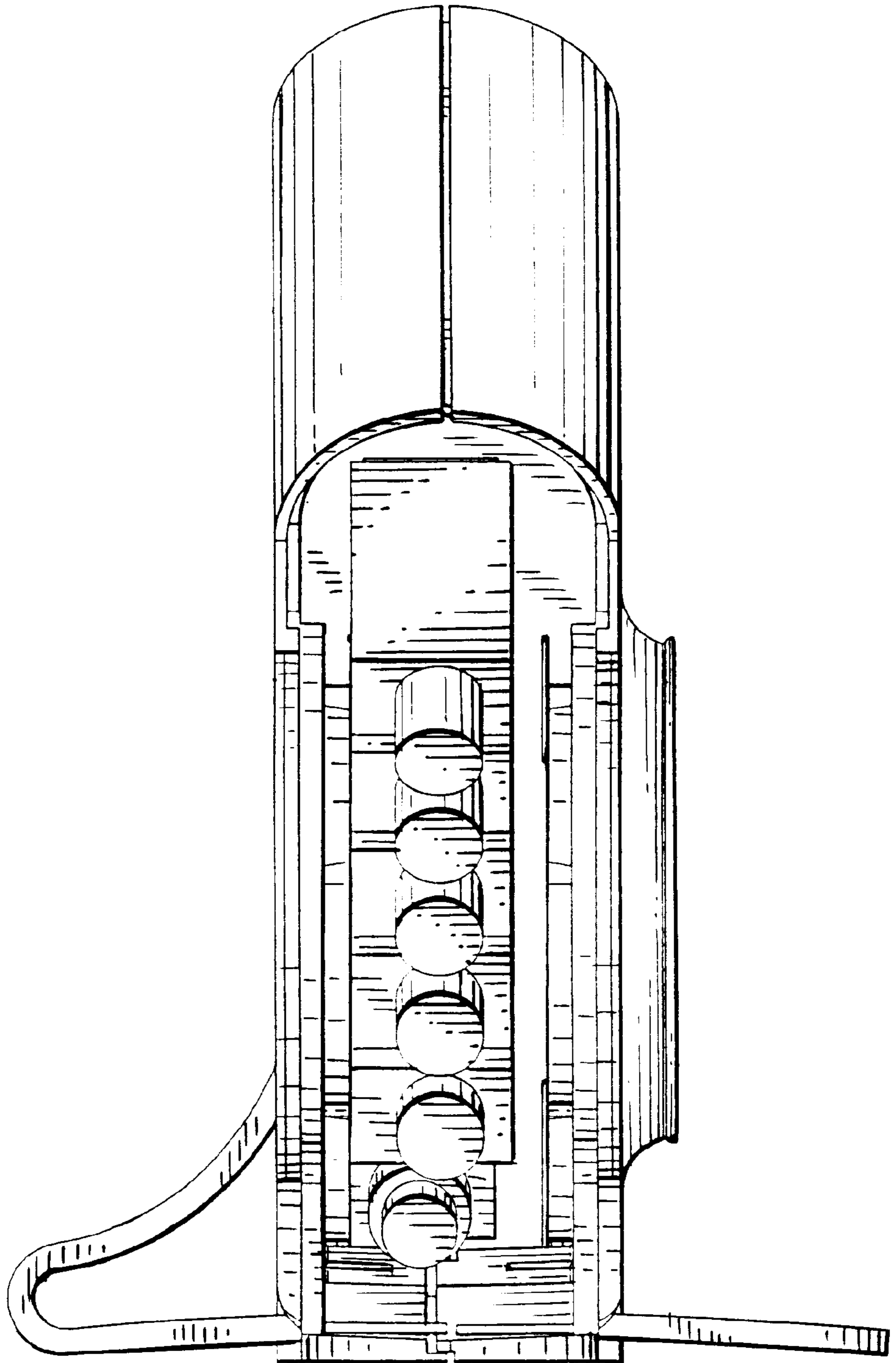


FIG. 8



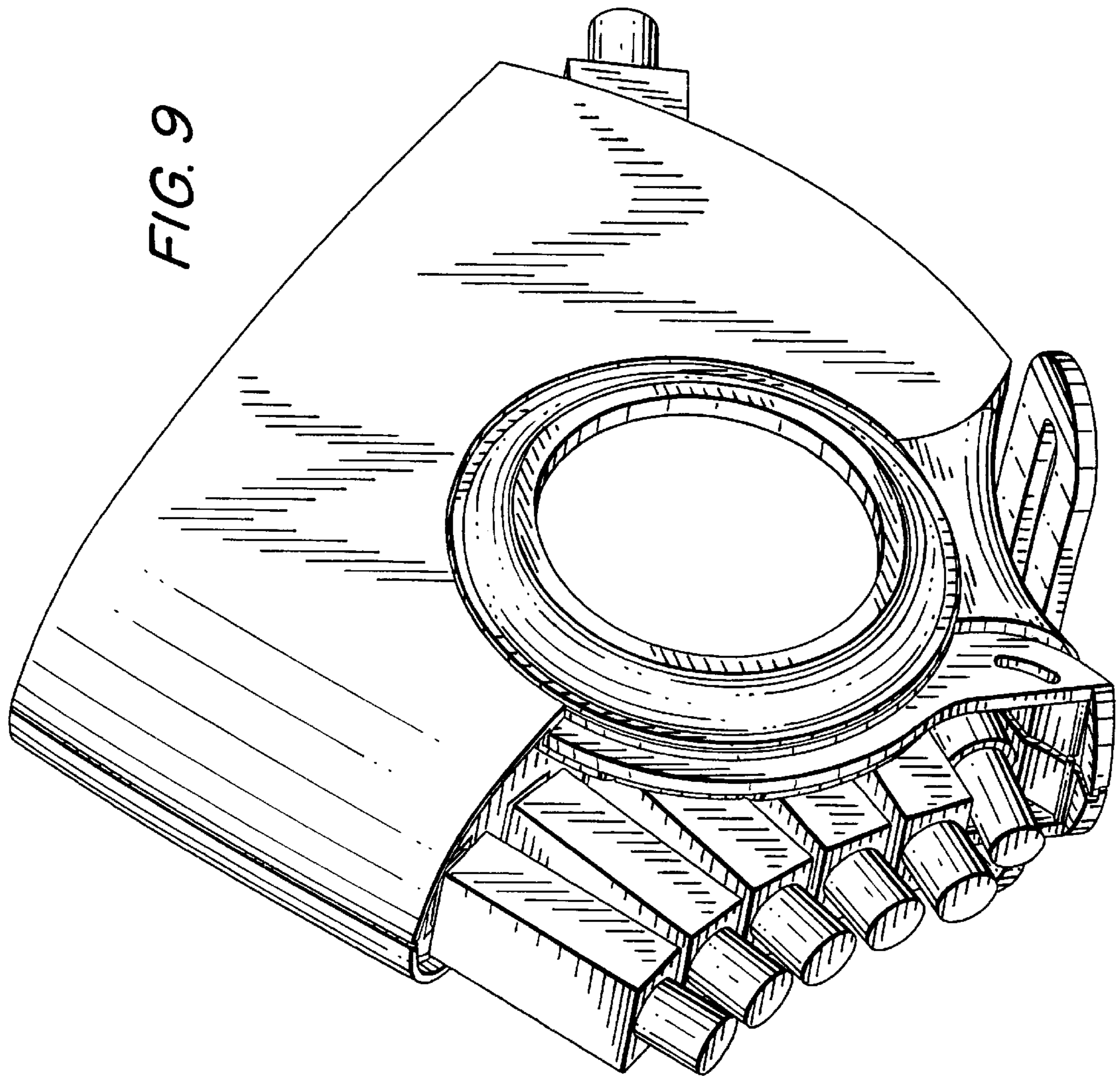


FIG. 9

FIG. 10

