



US00D456008S

(12) **United States Design Patent**  
**Kawanobe et al.**

(10) **Patent No.:** **US D456,008 S**

(45) **Date of Patent:** **\*\* Apr. 23, 2002**

(54) **POWER SOURCE ADAPTER**

(75) Inventors: **Naoya Kawanobe; Tsushima Takada;**  
**Kazuo Yoneyama, all of Kyoto (JP)**

(73) Assignee: **Nintendo Co., Ltd. (JP)**

(\*\*) Term: **14 Years**

(21) Appl. No.: **29/144,430**

(22) Filed: **Jul. 3, 2001**

(30) **Foreign Application Priority Data**

Jan. 12, 2001 (JP) ..... 2001-000279  
Jan. 12, 2001 (JP) ..... 2001-000278

(51) **LOC (7) Cl.** ..... **13-02**

(52) **U.S. Cl.** ..... **D13/110**

(58) **Field of Search** ..... D13/110, 107;  
320/107, 111, 112; 363/146; 307/150, 151;  
439/956

(56) **References Cited**

**U.S. PATENT DOCUMENTS**

D310,203 S \* 8/1990 Takahashi et al. .... D13/107  
D324,244 S 2/1992 Stamper et al.  
D333,293 S 2/1993 Ashida  
D340,027 S \* 10/1993 Tortola ..... D13/103  
D350,113 S \* 8/1994 Nagele ..... D13/110  
D361,978 S 9/1995 Shirai et al.

D383,115 S \* 9/1997 Nagele et al. .... D13/110  
D410,403 S 6/1999 Sugino  
D428,386 S \* 7/2000 Ahlgren ..... D13/107  
6,086,395 A \* 7/2000 Lloyd et al. .... 363/146 X  
D442,544 S \* 5/2001 Ku ..... D13/107

\* cited by examiner

*Primary Examiner*—Joel Sincavage

(74) *Attorney, Agent, or Firm*—Nixon & Vanderhye P.C.

(57) **CLAIM**

The ornamental design for a power source adapter, as shown and described.

**DESCRIPTION**

FIG. 1 is a front, left and top perspective view of a power source adapter in accordance with our new design, with plug prongs extended;

FIG. 2 is a front elevational view of the power source adapter with the plug prongs retracted;

FIG. 3 is a rear elevational view thereof;

FIG. 4 is a top plan view thereof;

FIG. 5 is a bottom plan view thereof;

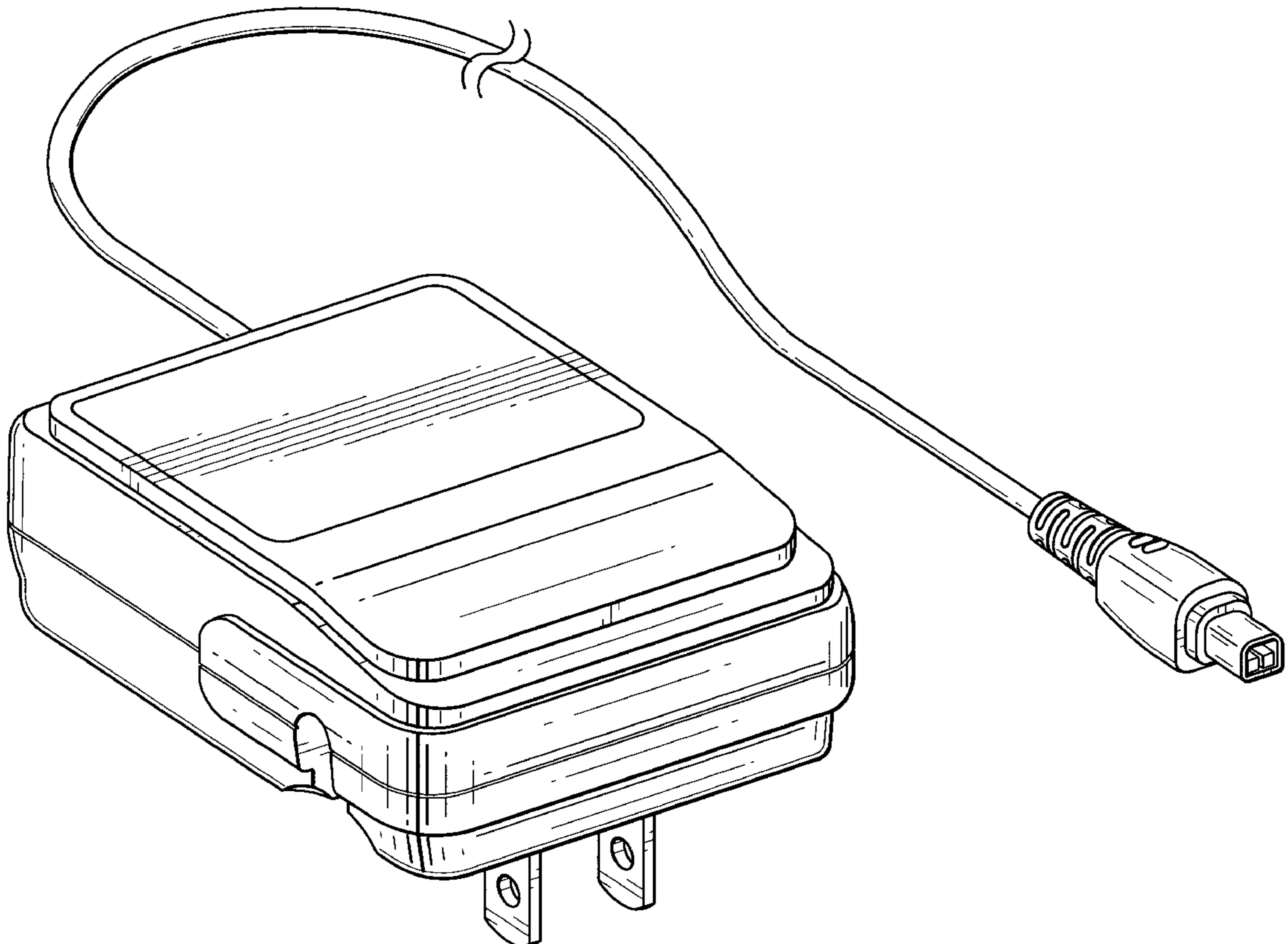
FIG. 6 is a right side view thereof;

FIG. 7 is a left side view thereof; and,

FIG. 8 is a left side view thereof, with plug prongs extended.

The cord indicated in FIGS. 1 and 4–8 is shown broken away to indicate indeterminate length.

**1 Claim, 7 Drawing Sheets**



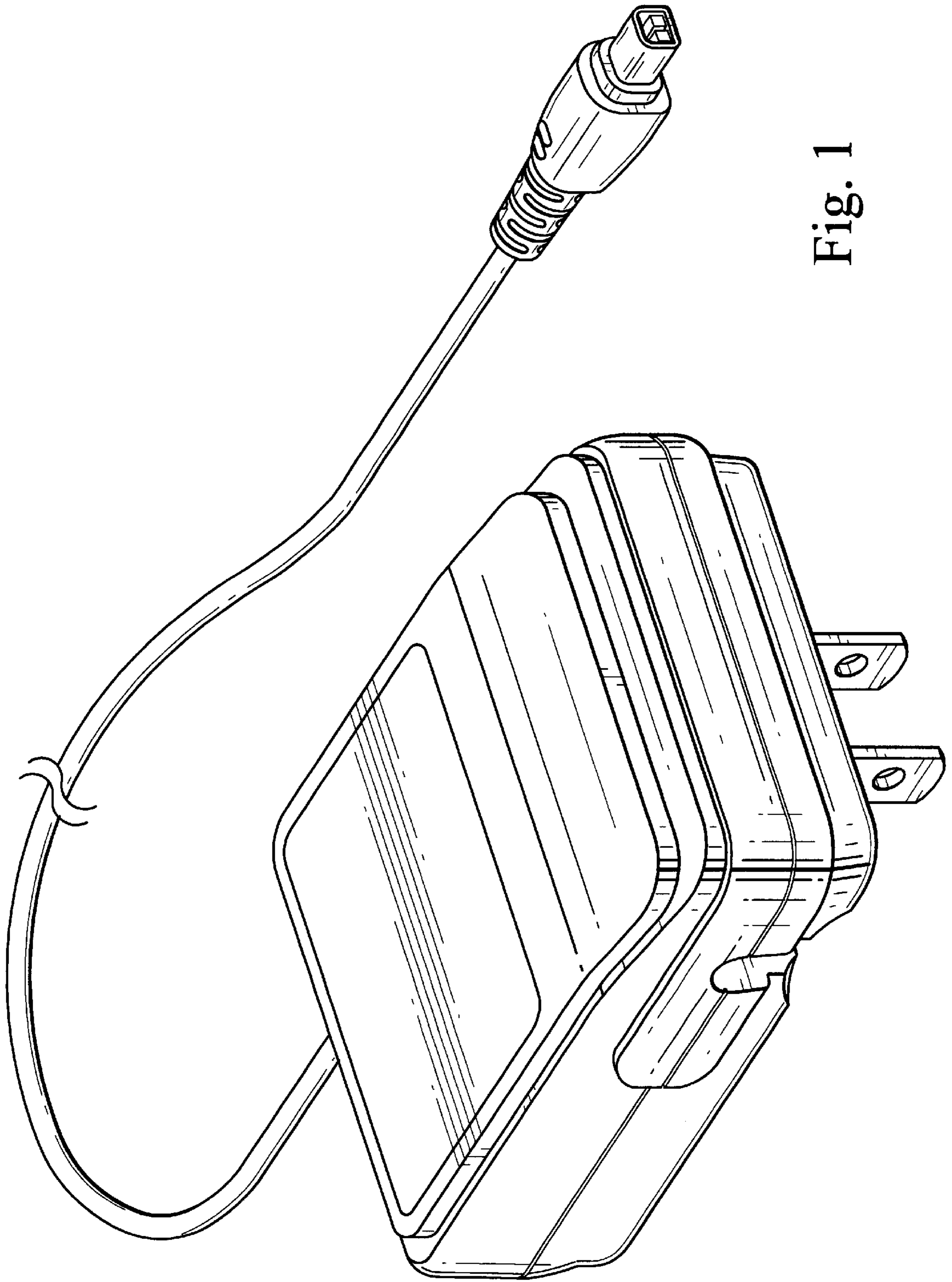


Fig. 1

Fig. 2

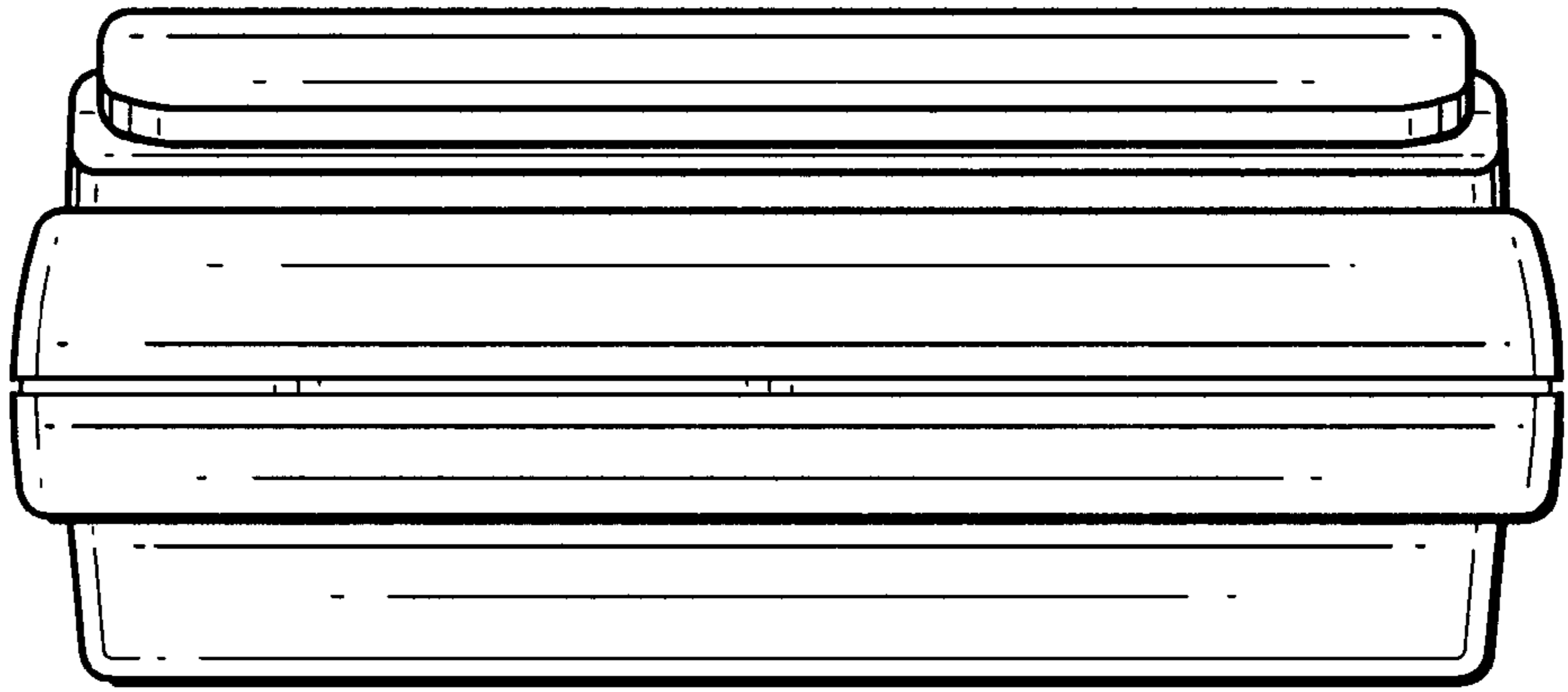


Fig. 3

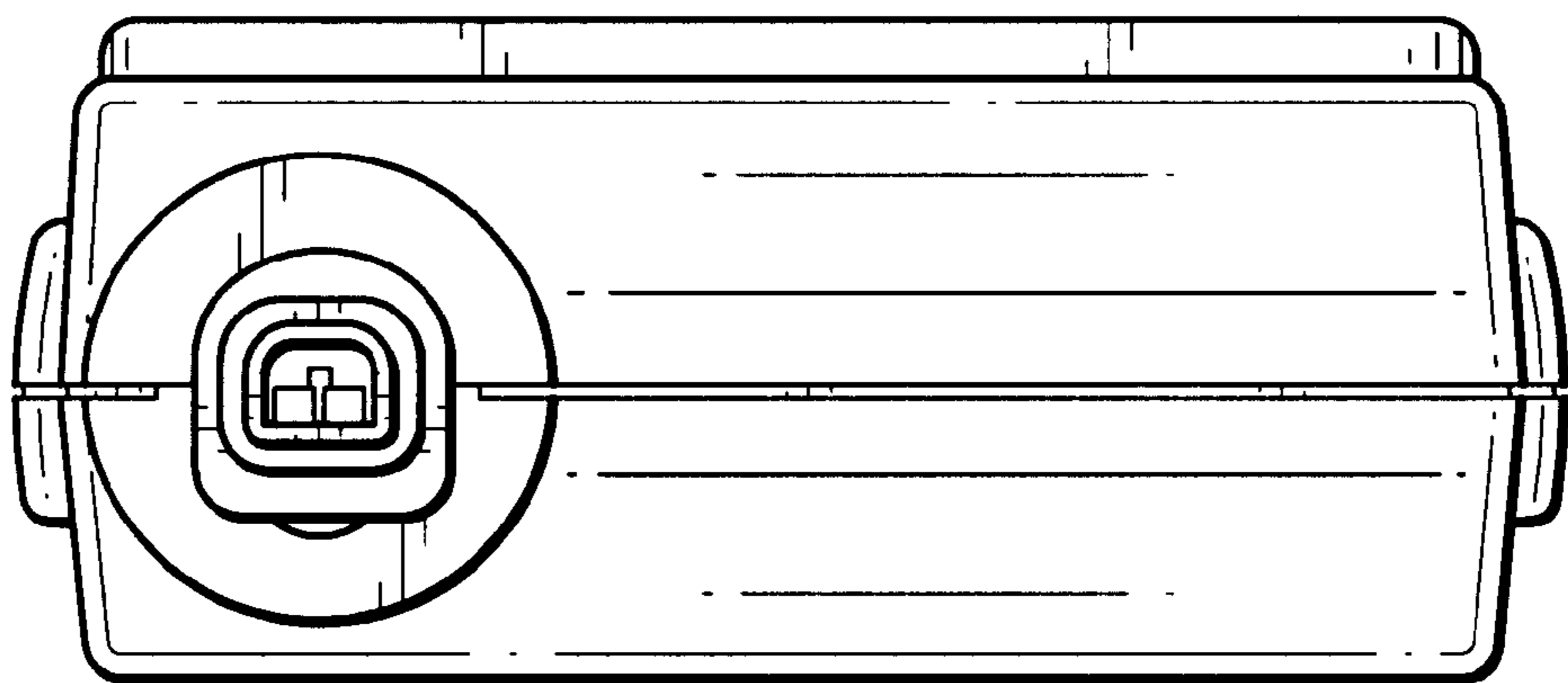
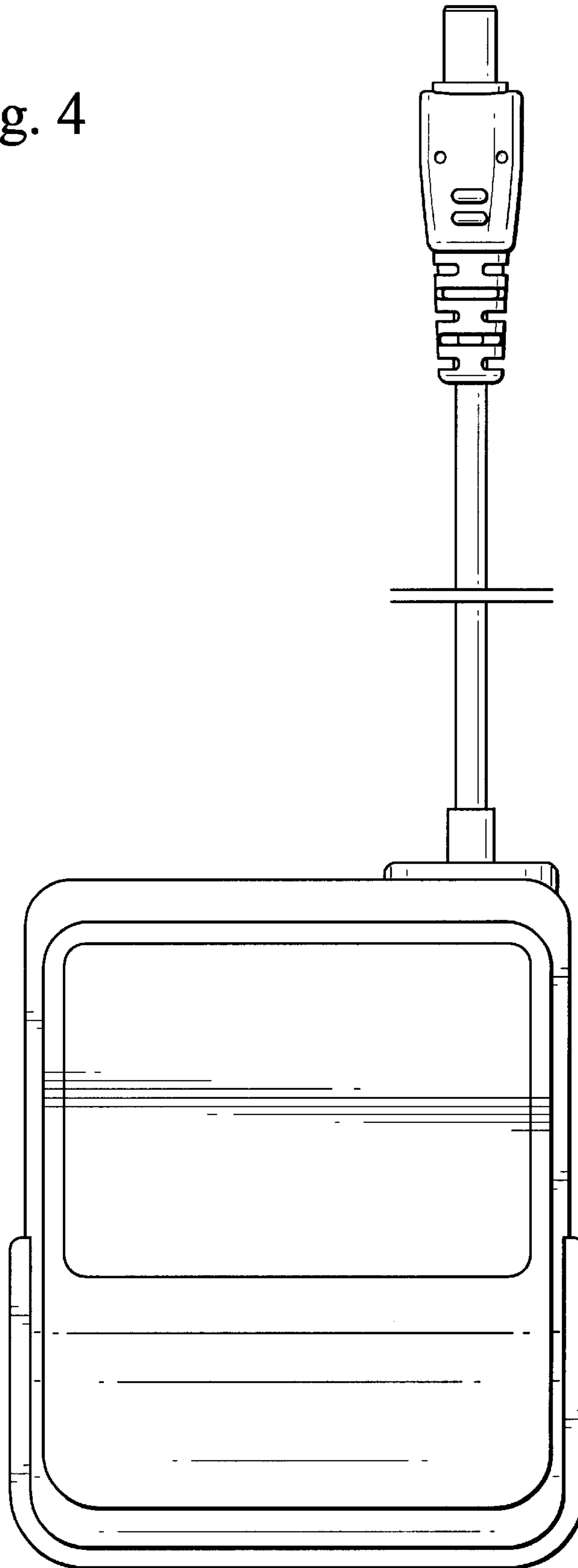


Fig. 4



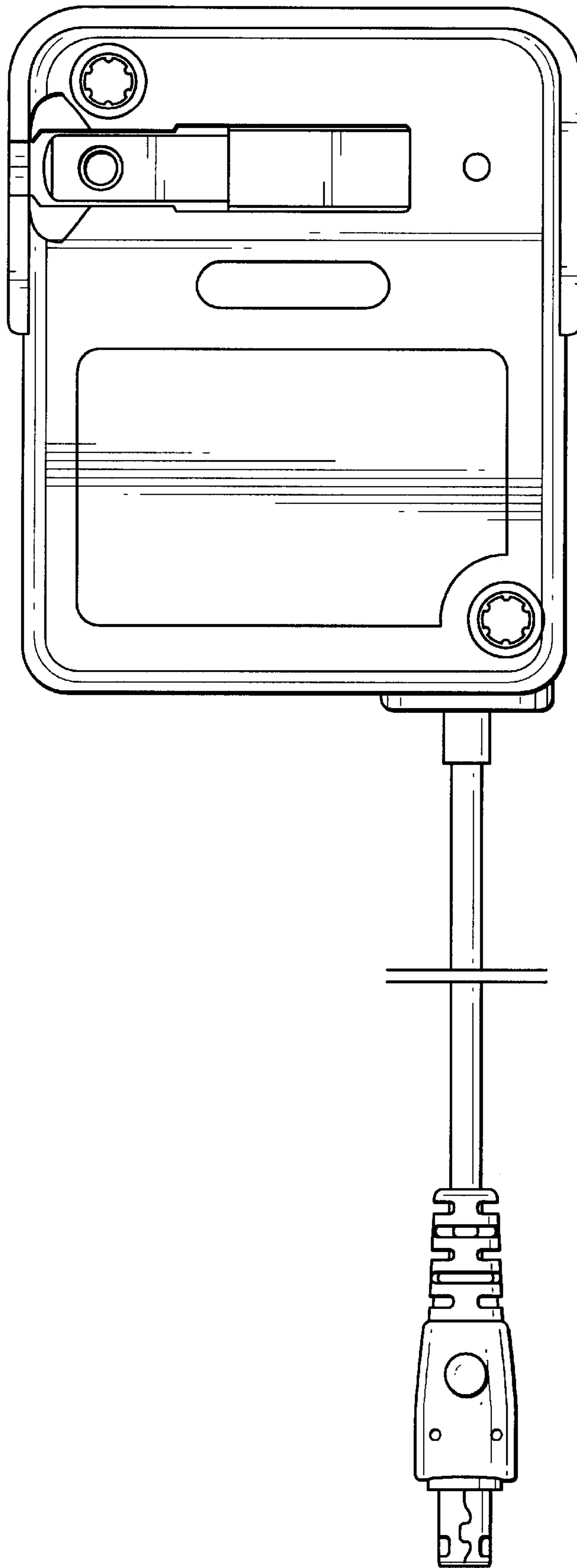


Fig. 5

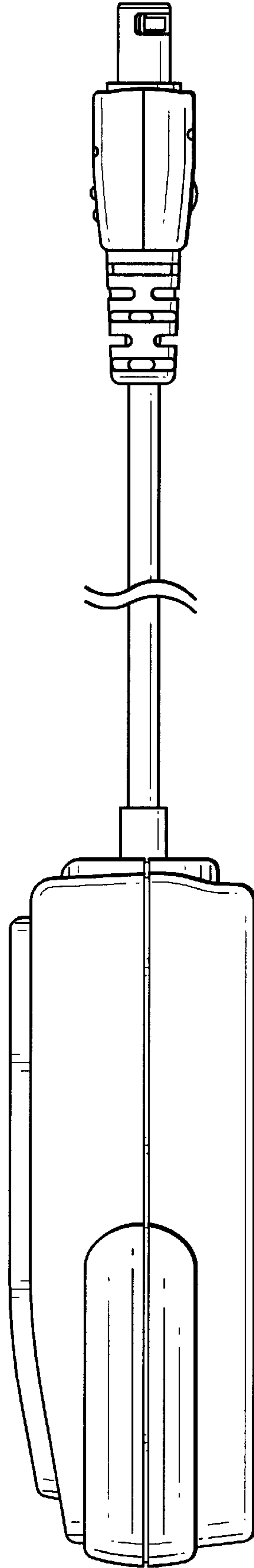


Fig. 6

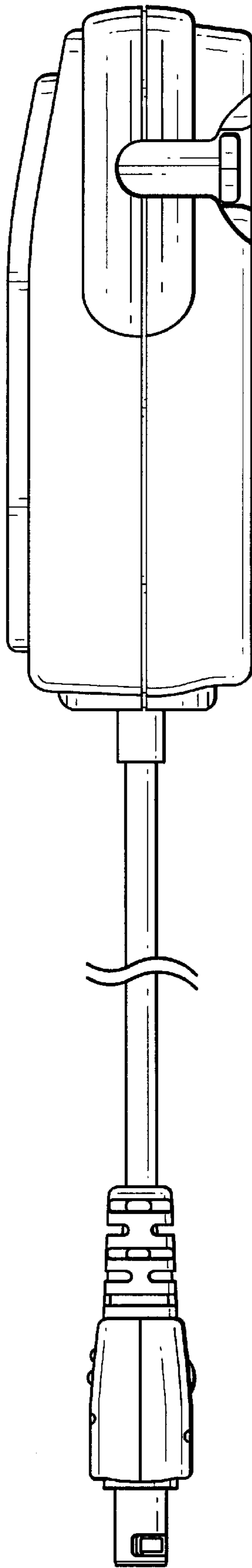


Fig. 7

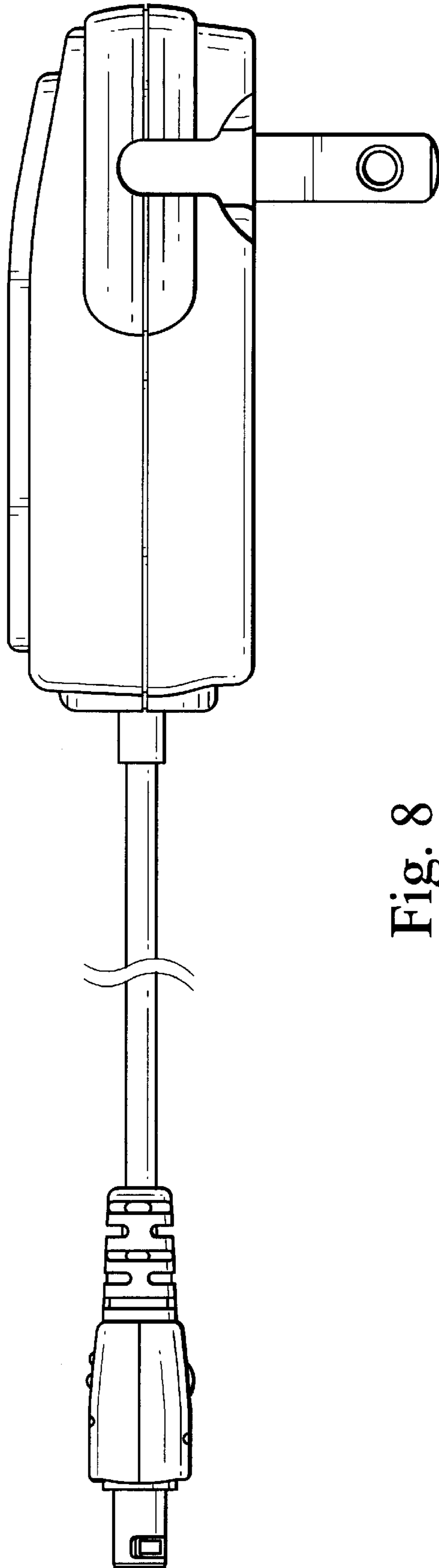


Fig. 8