



US00D456006S

(12) **United States Design Patent** (10) **Patent No.:** **US D456,006 S**
Maier et al. (45) **Date of Patent:** **** Apr. 23, 2002**

(54) **POWER SUPPLY**

(75) Inventors: **Steven R. Maher**, Arlington Heights;
John A. Claypoole, Naperville; **Gary Chiappetta**, Hinsdale; **Bryan Fox**, Chicago, all of IL (US)

(73) Assignee: **Gen-X of America, L.L.C.**, Lake Forest, IL (US)

(**) Term: **14 Years**

(21) Appl. No.: **29/142,066**

(22) Filed: **May 17, 2001**

(51) **LOC (7) Cl.** **13-02**

(52) **U.S. Cl.** **D13/110**

(58) **Field of Search** D13/110, 123,
D13/162, 164; 307/64, 150, 151; 363/141

(56) **References Cited**

U.S. PATENT DOCUMENTS

D346,148 S * 4/1994 Chen D13/110
D396,688 S * 8/1998 Lin D13/110
D402,626 S * 12/1998 Fujita et al. D13/110

OTHER PUBLICATIONS

APC Smart-UPS(R)—www.apcc.com/products/smart-ups//—Accessed Sep. 7, 2001.*

* cited by examiner

Primary Examiner—Joel Sincavage

(74) *Attorney, Agent, or Firm*—Vedder Price Kaufman & Kammholz

(57) **CLAIM**

The ornamental design for a power supply, as shown and described.

DESCRIPTION

FIG. 1 is a view of perspective view showing our new design;

FIG. 2 is a front view showing our design;

FIG. 3 is a side view showing one side of our design, the opposite side view being a mirror image thereof;

FIG. 4 is a rear view showing our design;

FIG. 5 is a top plan view showing our design; and,

FIG. 6 is a bottom plan view showing our design.

1 Claim, 2 Drawing Sheets

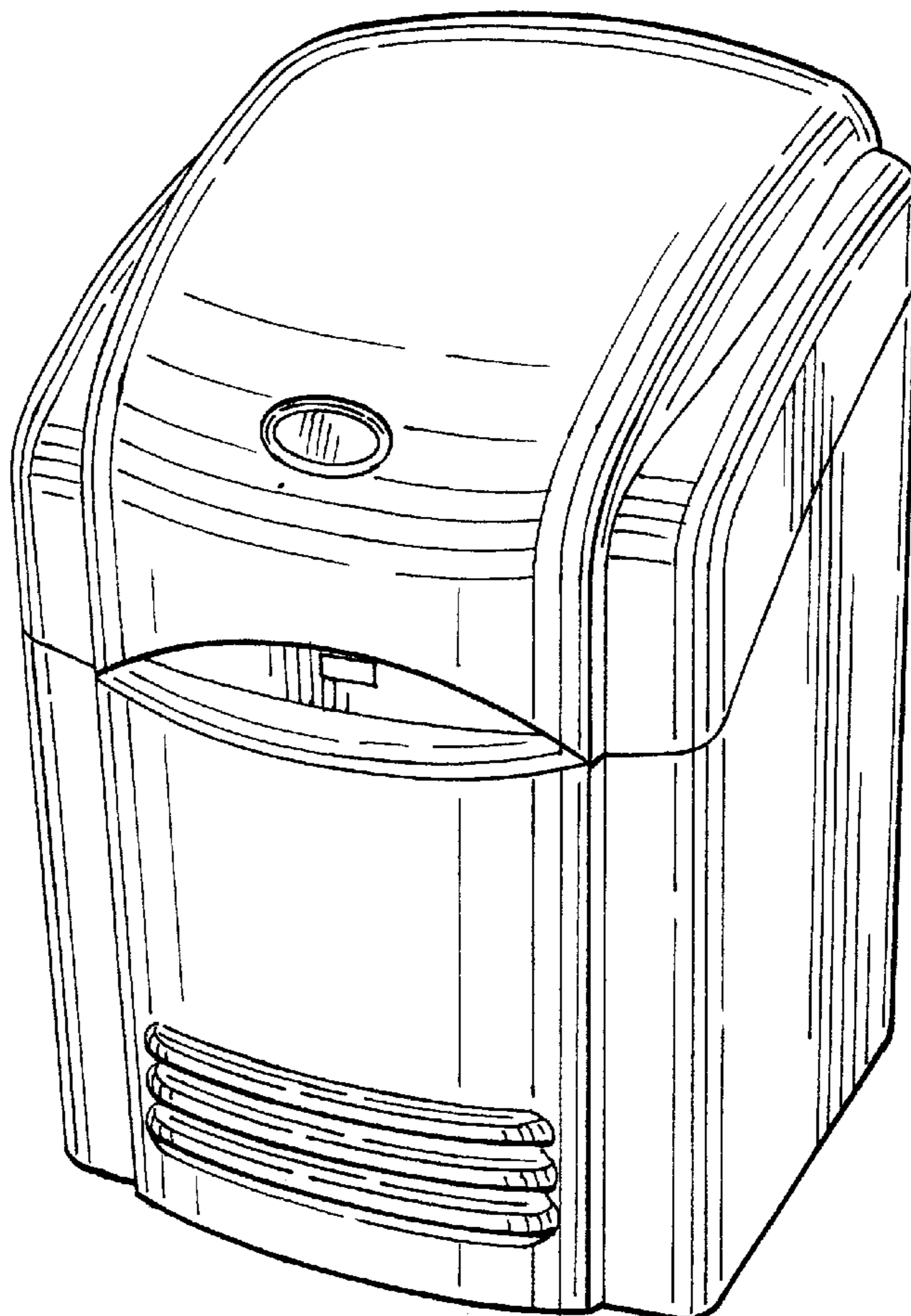


FIG.2

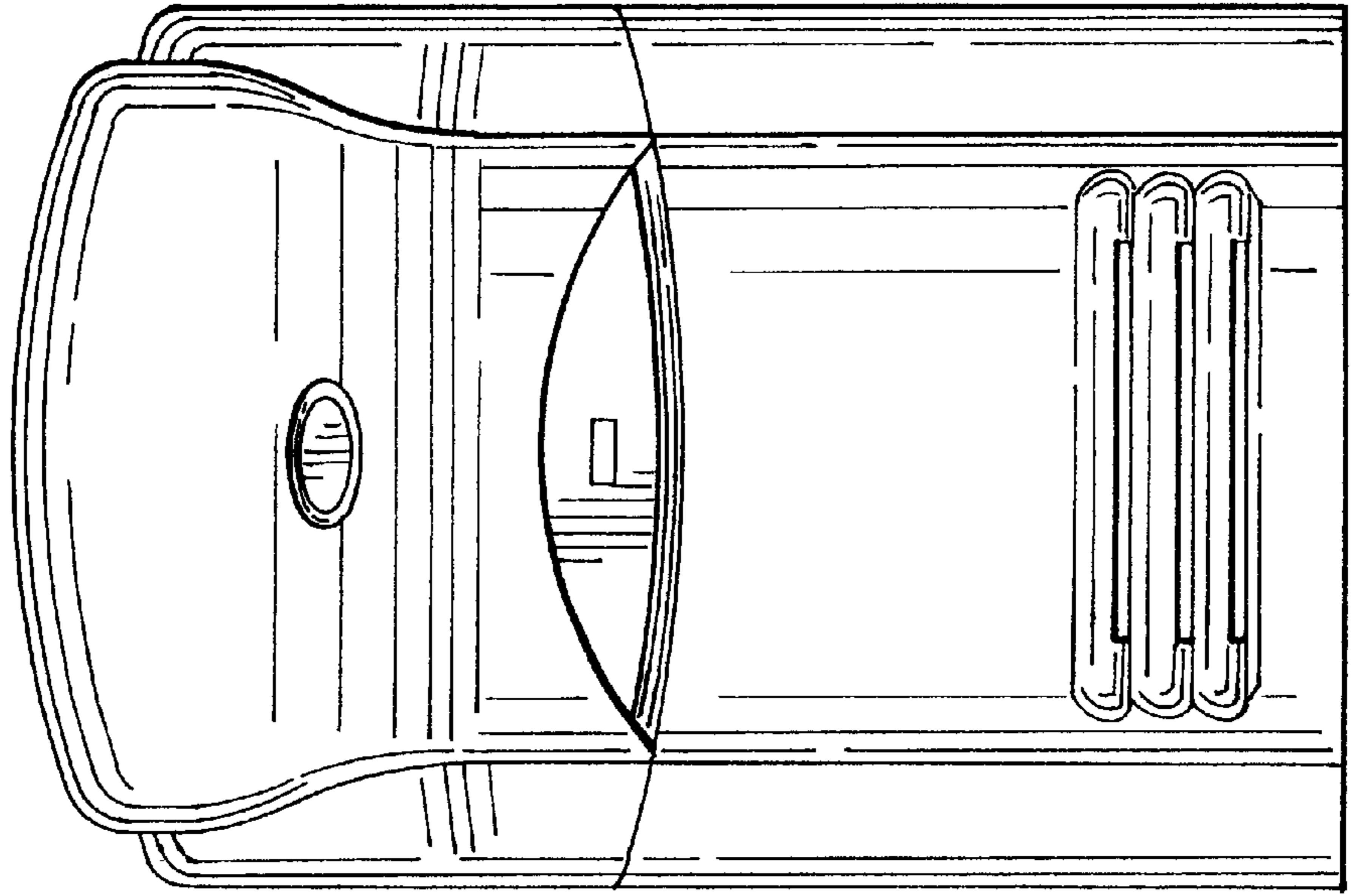


FIG.1

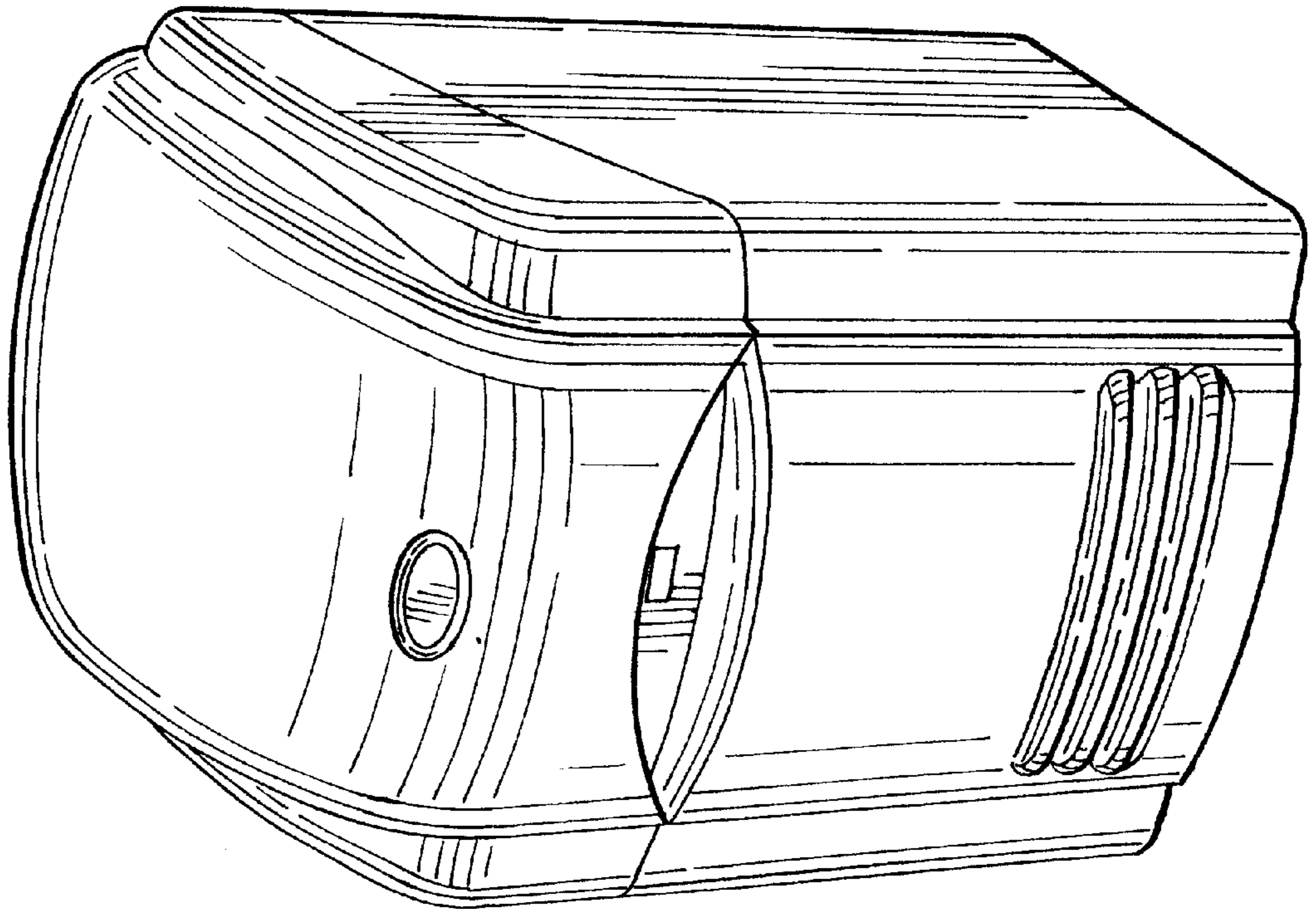


FIG.3

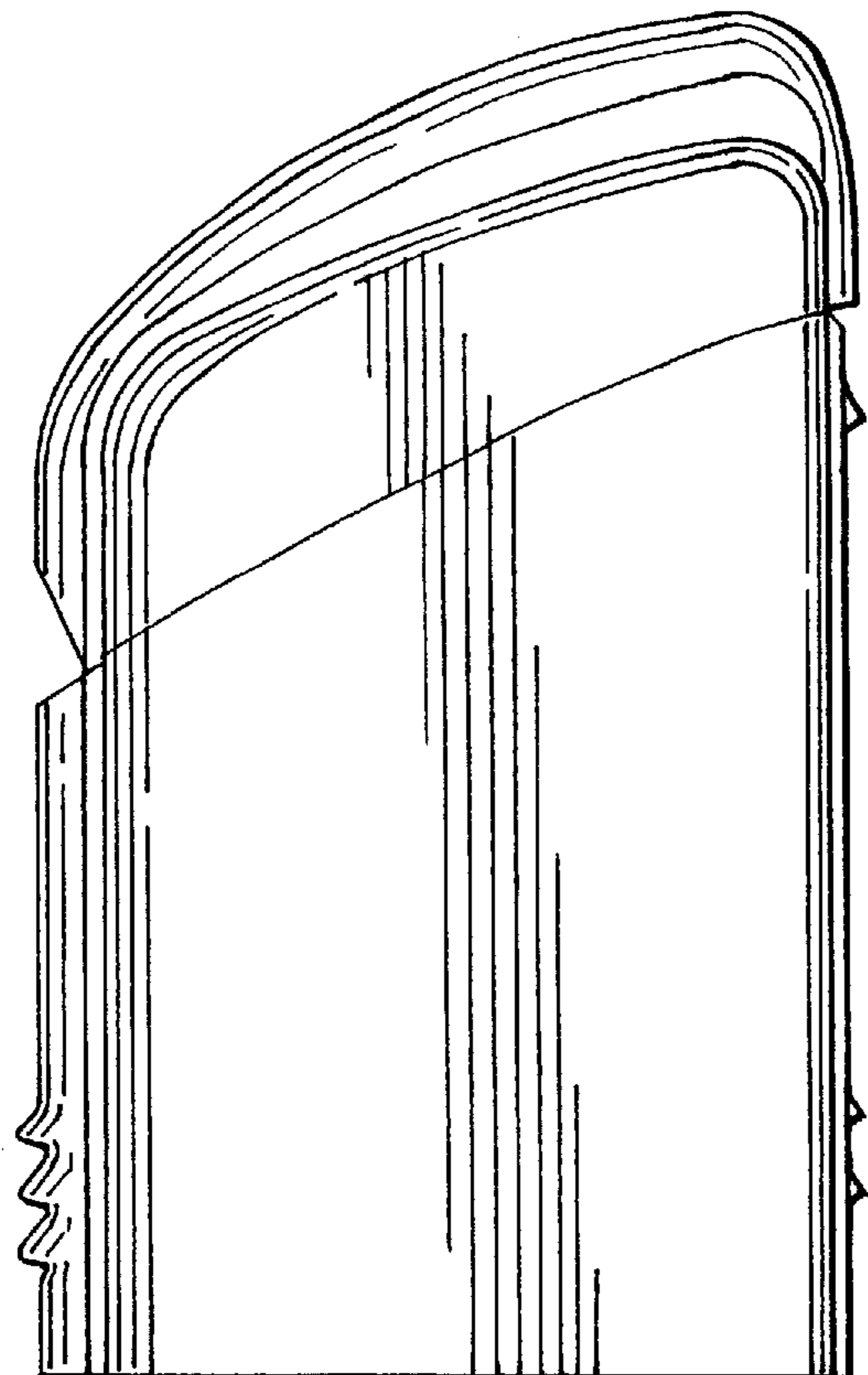


FIG.4

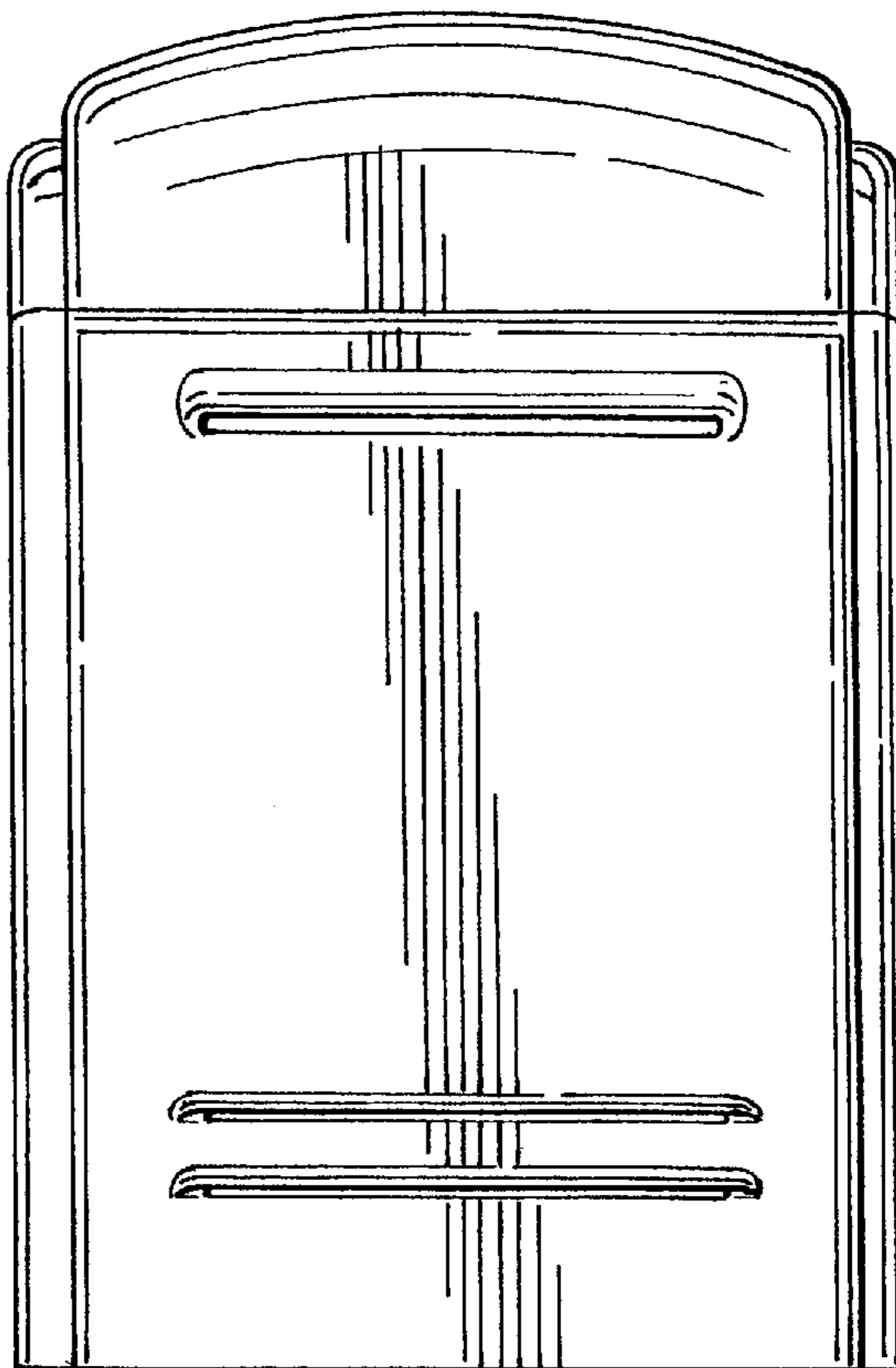


FIG.5

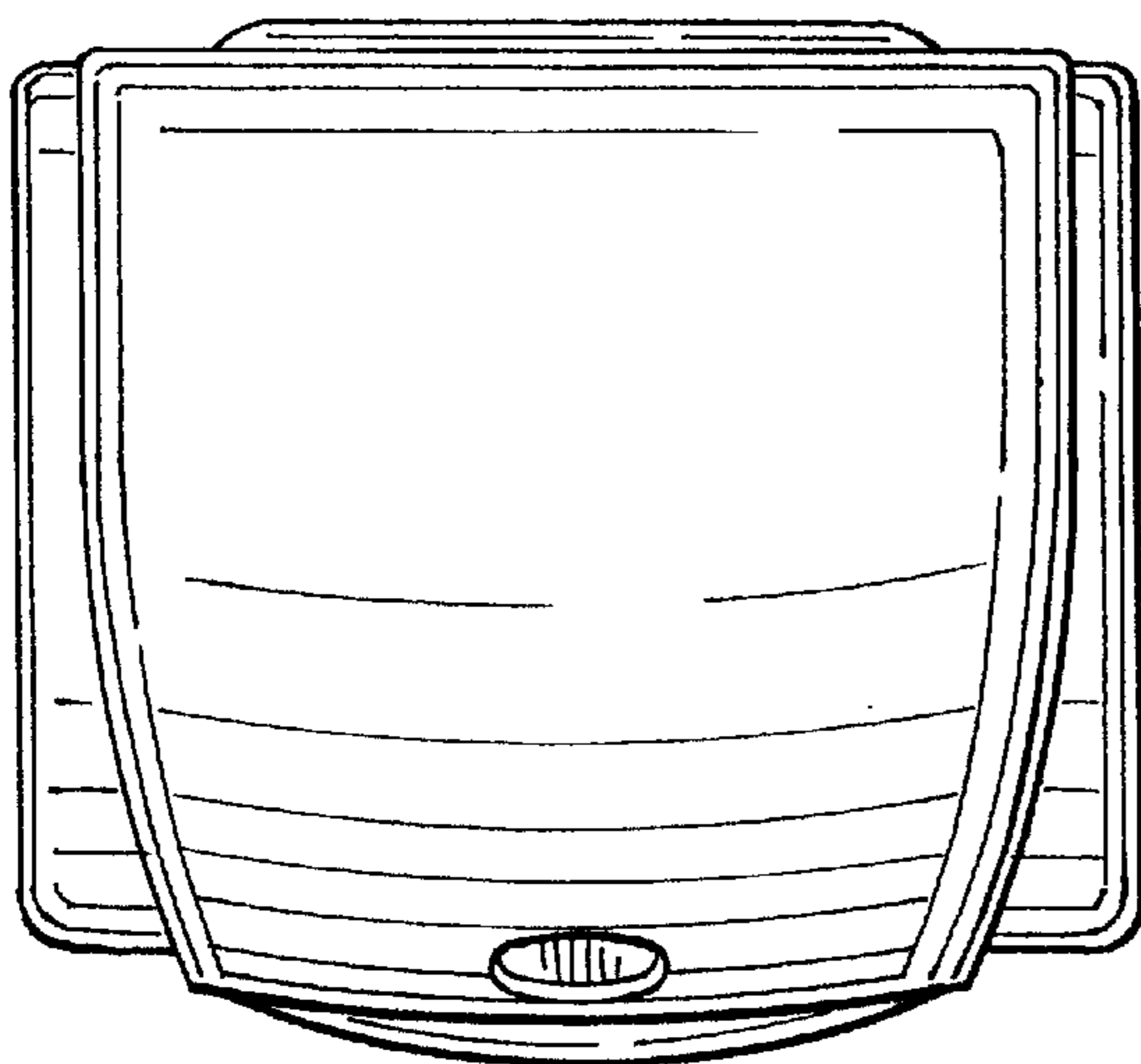


FIG.6

