



US00D456002S

(12) **United States Design Patent**
Kato et al.

(10) **Patent No.:** **US D456,002 S**

(45) **Date of Patent:** **** Apr. 23, 2002**

(54) **BATTERY PACK**

(75) Inventors: **Yoichi Kato; Toshiyuki Kani; Kazuma Oshima**, all of Anjo (JP)

(73) Assignee: **Makita Corporation**, Anjo (JP)

(**) Term: **14 Years**

(21) Appl. No.: **29/141,453**

(22) Filed: **May 8, 2001**

(30) **Foreign Application Priority Data**

| | | | |
|---------------|------|-------|-------------|
| Nov. 14, 2000 | (JP) | | 2000-036575 |
| Nov. 14, 2000 | (JP) | | 2000-036576 |
| Nov. 14, 2000 | (JP) | | 2000-036577 |
| Nov. 14, 2000 | (JP) | | 2000-036578 |

(51) **LOC (7) Cl.** **13-02**

(52) **U.S. Cl.** **D13/103**

(58) **Field of Search** D13/103; 429/96-100,
429/159, 163, 176; 173/217

(56) **References Cited**

U.S. PATENT DOCUMENTS

| | | | | | | |
|-----------|---|---|---------|--------------------|-------|----------|
| 5,671,815 | A | * | 9/1997 | Kabatnik et al. | | 173/217 |
| 5,881,823 | A | * | 3/1999 | Kabatnik et al. | | 173/217 |
| D413,564 | S | * | 9/1999 | Hershberger et al. | | D13/103 |
| D415,100 | S | * | 10/1999 | Buck | | D13/103 |
| 5,977,746 | A | * | 11/1999 | Hershberger et al. | | 429/99 X |
| D435,013 | S | * | 12/2000 | Clowers et al. | | D13/103 |
| D436,917 | S | | 1/2001 | Hayakawa et al. | | |

FOREIGN PATENT DOCUMENTS

| | | | | | |
|----|------------|---|--------|-------|-----------|
| JP | 2000188091 | * | 7/2000 | | H01M/2/10 |
| JP | 2001135290 | * | 5/2001 | | H01M/2/10 |
| JP | 2001203004 | * | 7/2001 | | H01M/2/10 |
| JP | 2001155700 | * | 8/2001 | | H01M/2/10 |
| JP | 2001229895 | * | 8/2001 | | H01M/2/10 |

* cited by examiner

Primary Examiner—Joel Sincavage

(74) *Attorney, Agent, or Firm*—Dennison, Scheiner & Schultz

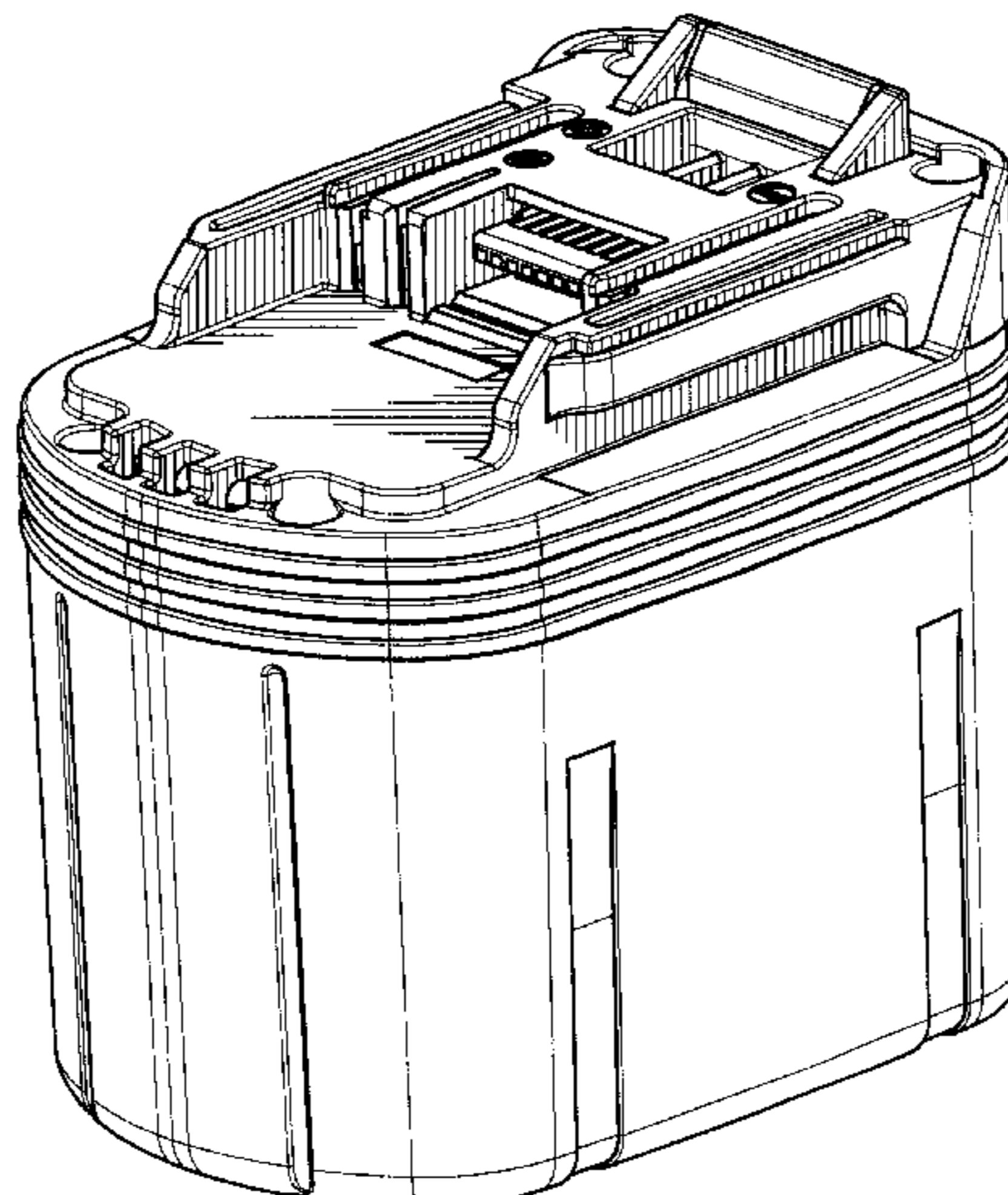
(57) **CLAIM**

The ornamental design for a battery pack, as shown and described.

DESCRIPTION

FIG. 1 is a perspective view of a battery pack showing our new design;
 FIG. 2 is a front elevation view thereof;
 FIG. 3 is a rear elevation view thereof;
 FIG. 4 is a left side elevation view thereof;
 FIG. 5 is a right side elevation view thereof;
 FIG. 6 is a top plan view thereof;
 FIG. 7 is a bottom plan view thereof;
 FIG. 8 is a perspective view of a second embodiment of the battery pack shown in FIG. 1;
 FIG. 9 is a front elevation view thereof;
 FIG. 10 is a rear elevation view thereof;
 FIG. 11 is a left side elevation view thereof;
 FIG. 12 is a right side elevation view thereof;
 FIG. 13 is a top plan view thereof;
 FIG. 14 is a bottom plan view thereof;
 FIG. 15 is a perspective view of a third embodiment of the battery pack shown in FIG. 1;
 FIG. 16 is a front elevation view thereof;
 FIG. 17 is a rear elevation view thereof;
 FIG. 18 is a left side elevation view thereof;
 FIG. 19 is a right side elevation view thereof;
 FIG. 20 is a top plan view thereof;
 FIG. 21 is a bottom plan view thereof;
 FIG. 22 is a perspective view of a fourth embodiment of the battery pack shown in FIG. 1;
 FIG. 23 is a front elevation view thereof;
 FIG. 24 is a rear elevation view thereof;
 FIG. 25 is a left side elevation view thereof;
 FIG. 26 is a right side elevation view thereof;
 FIG. 27 is a top plan view thereof; and,
 FIG. 28 is a bottom plan view thereof.

1 Claim, 16 Drawing Sheets



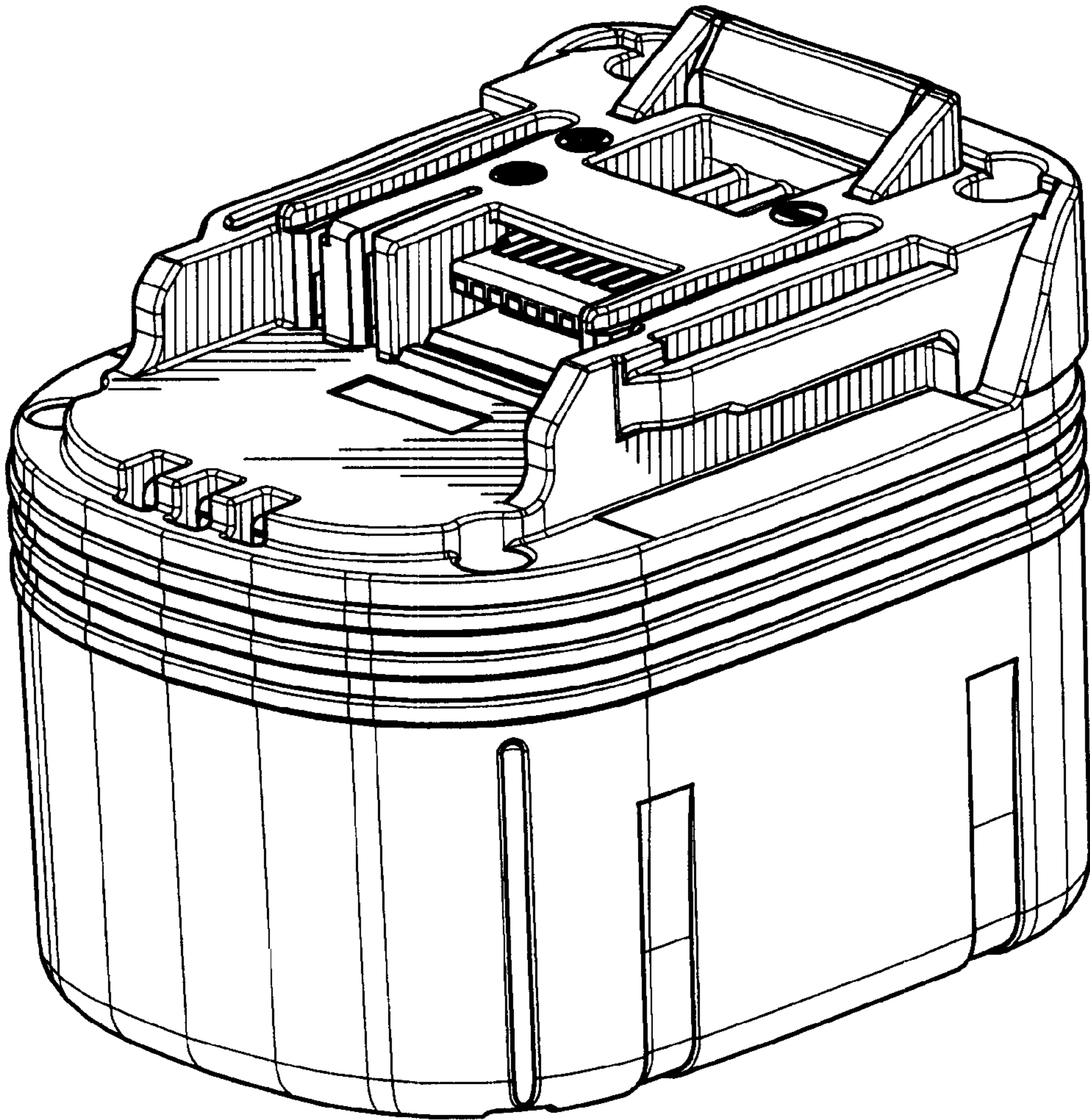


FIG. 1

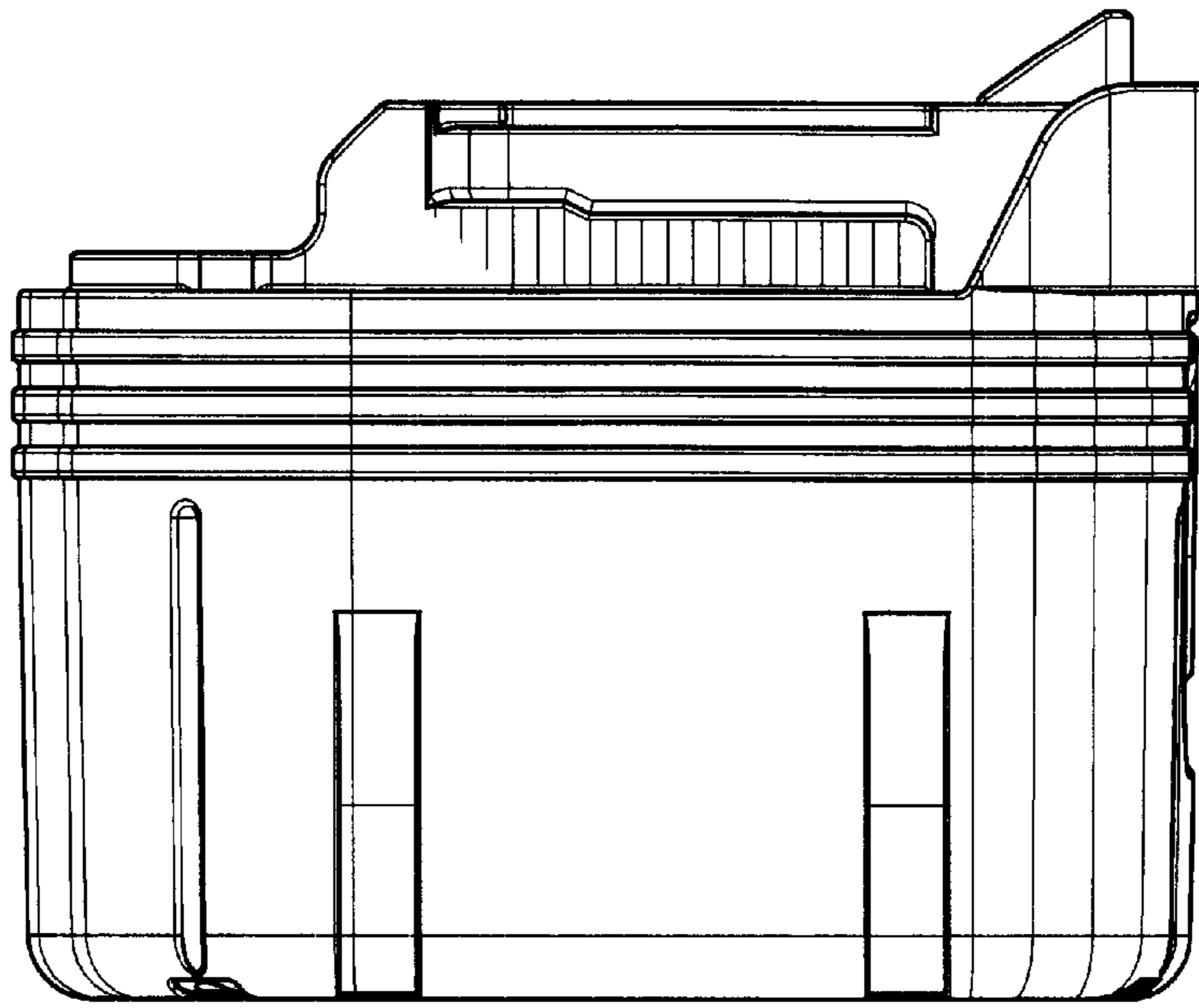


FIG. 2

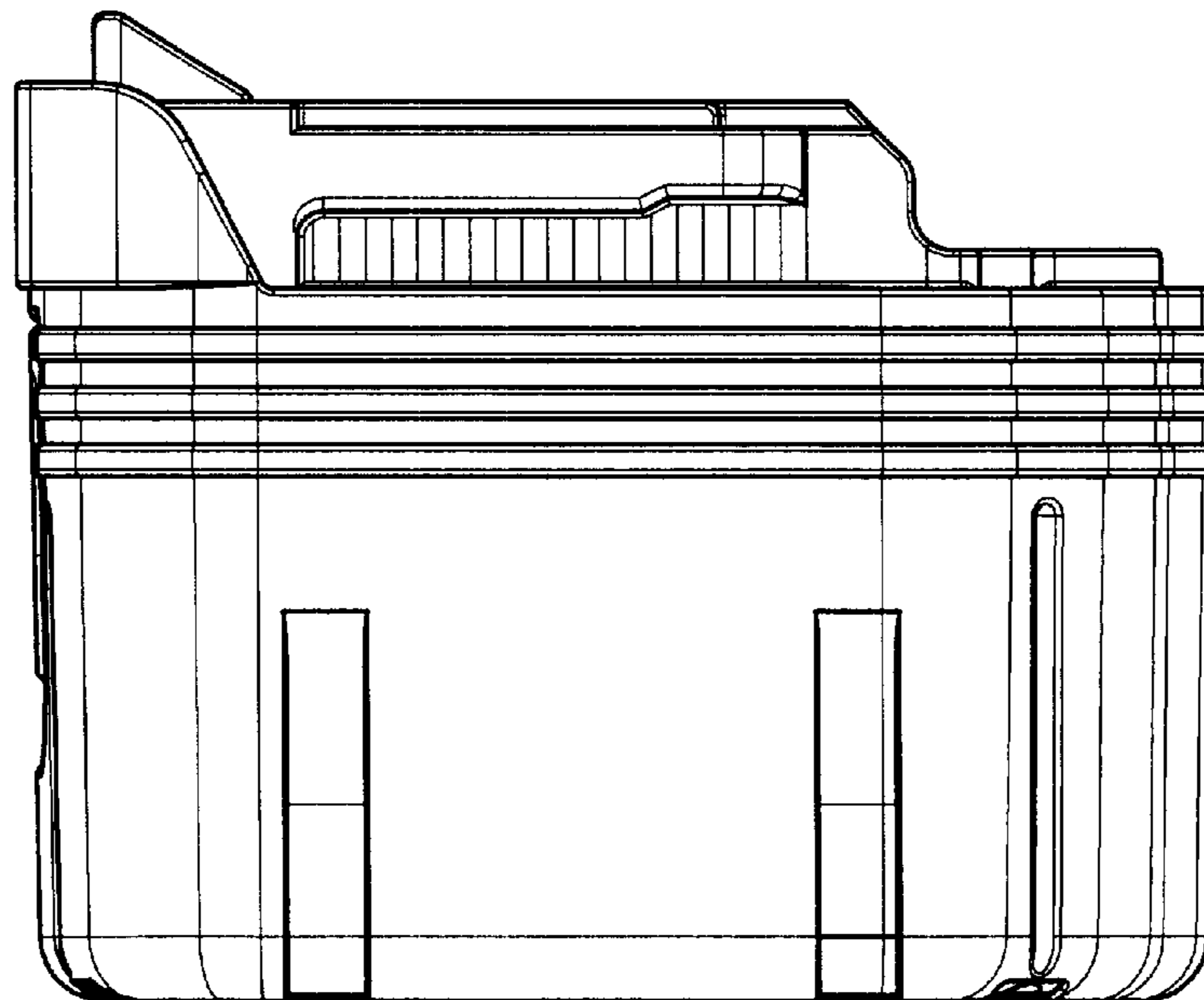


FIG. 3

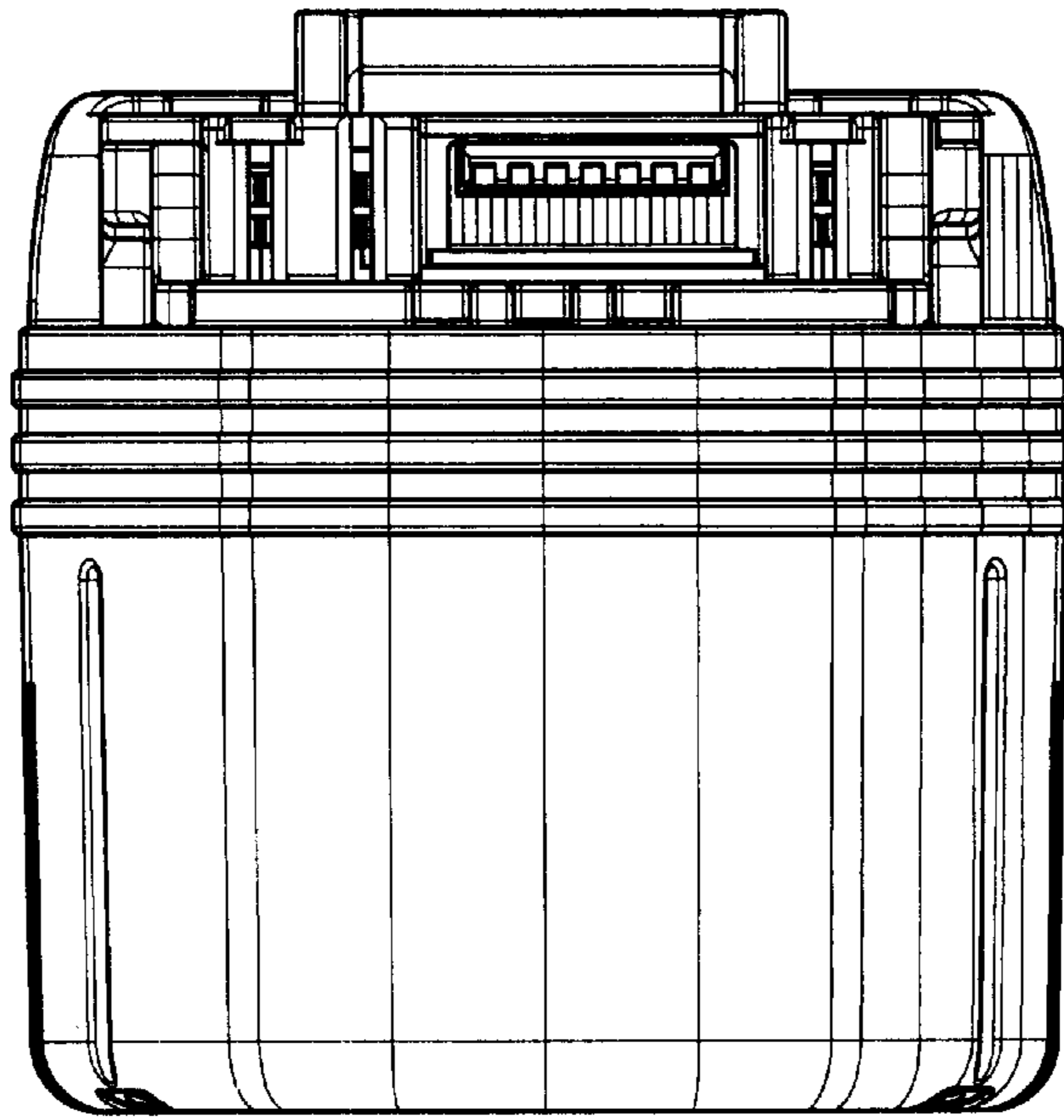


FIG. 4

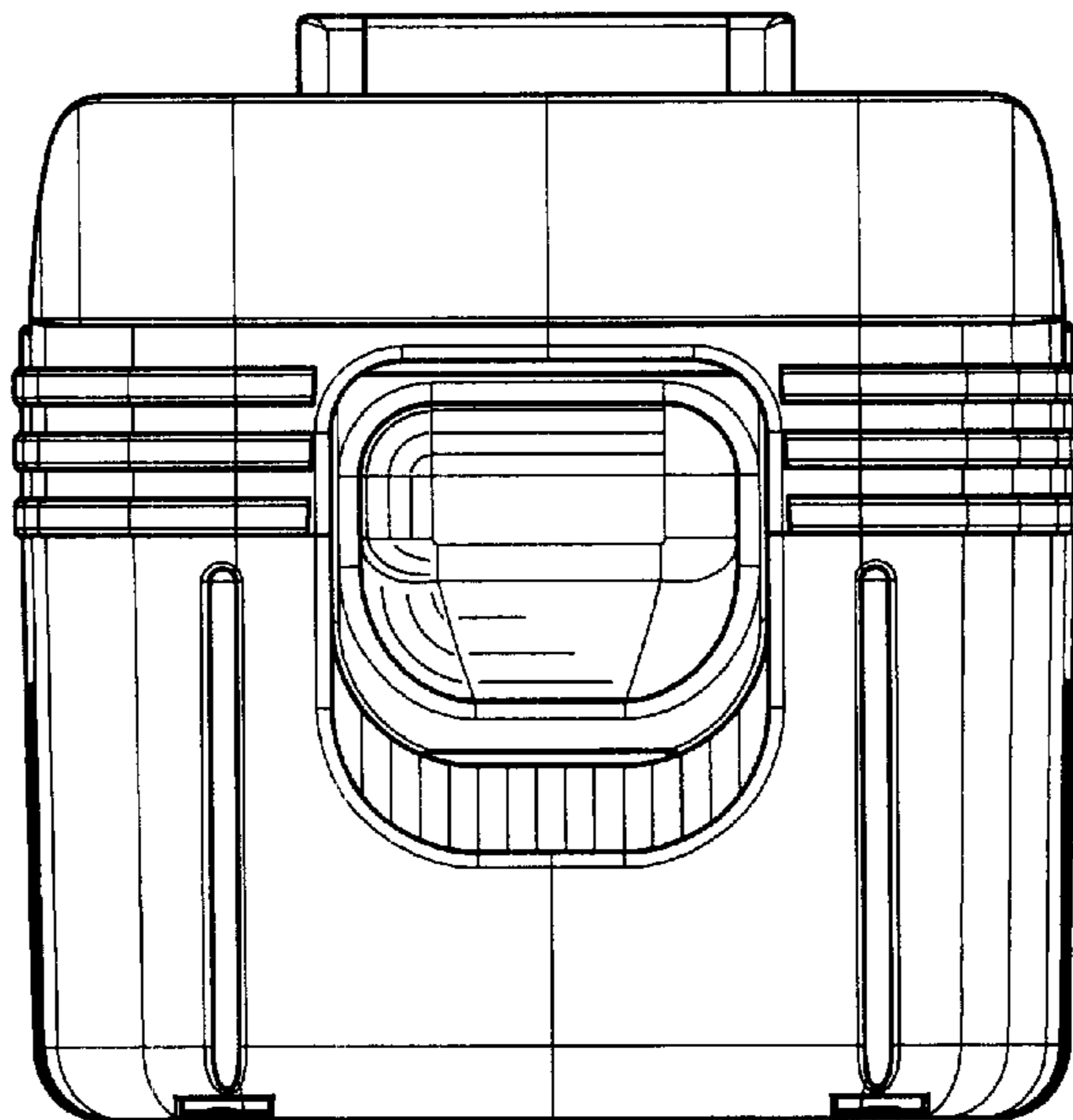


FIG. 5

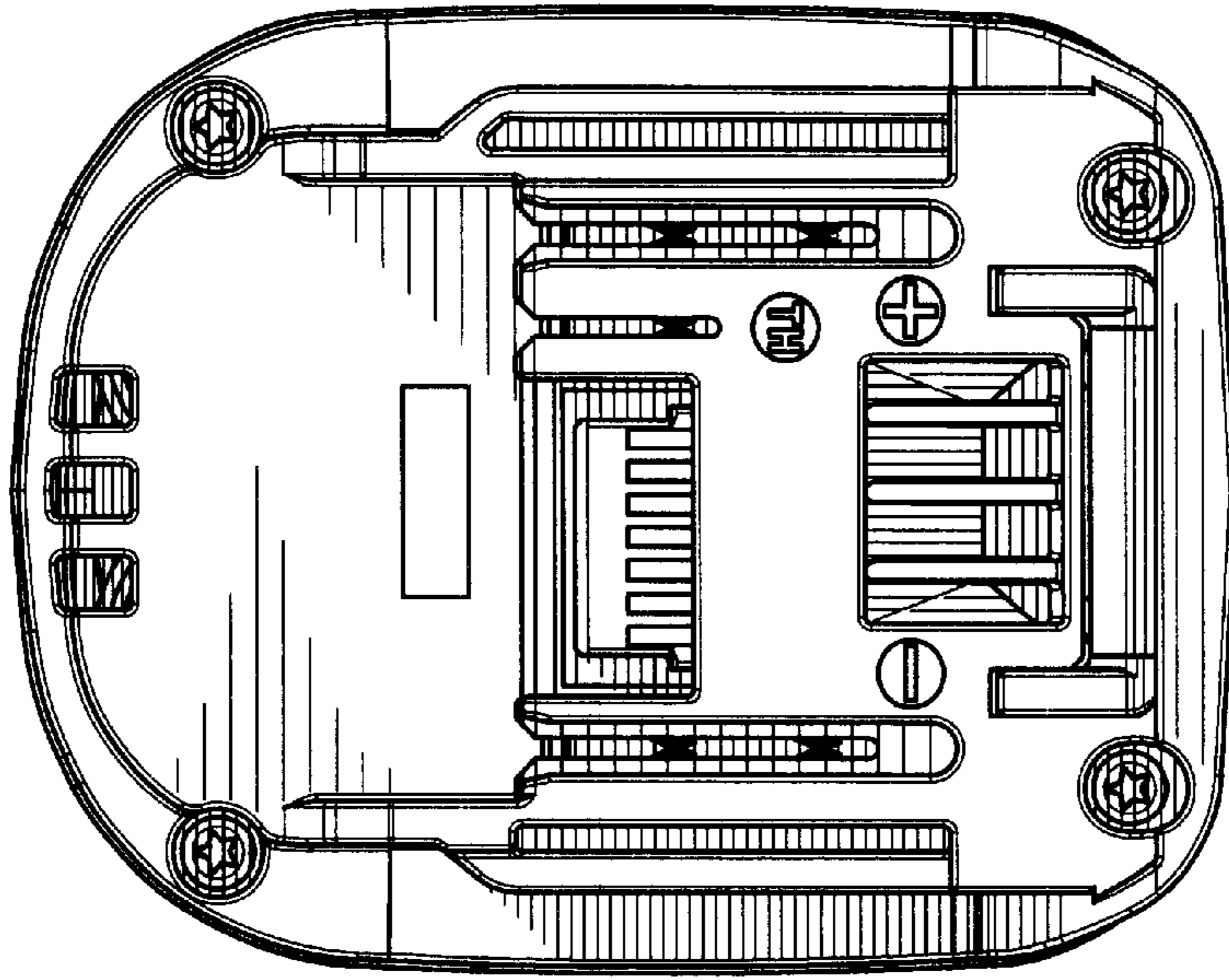


FIG. 6

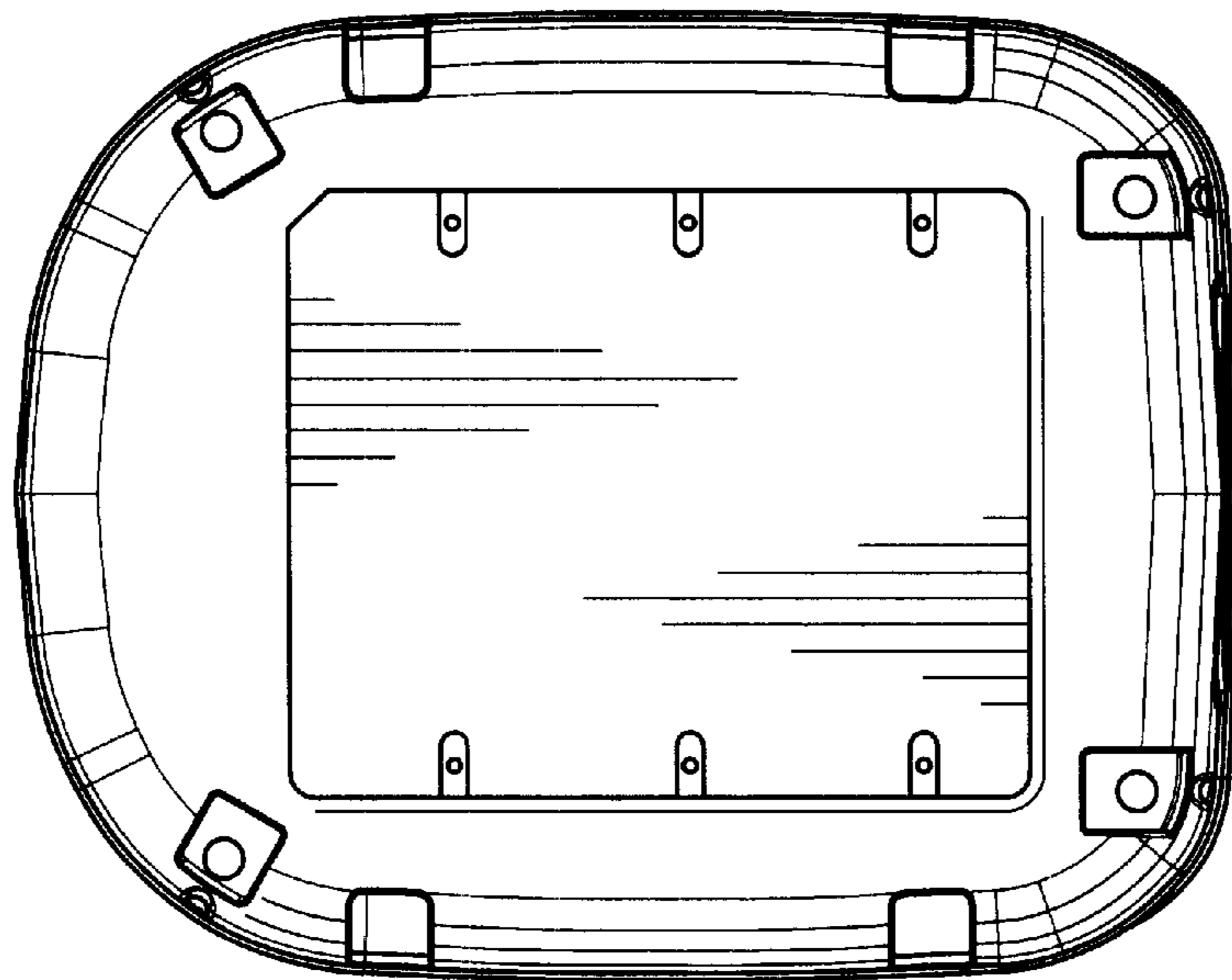


FIG. 7

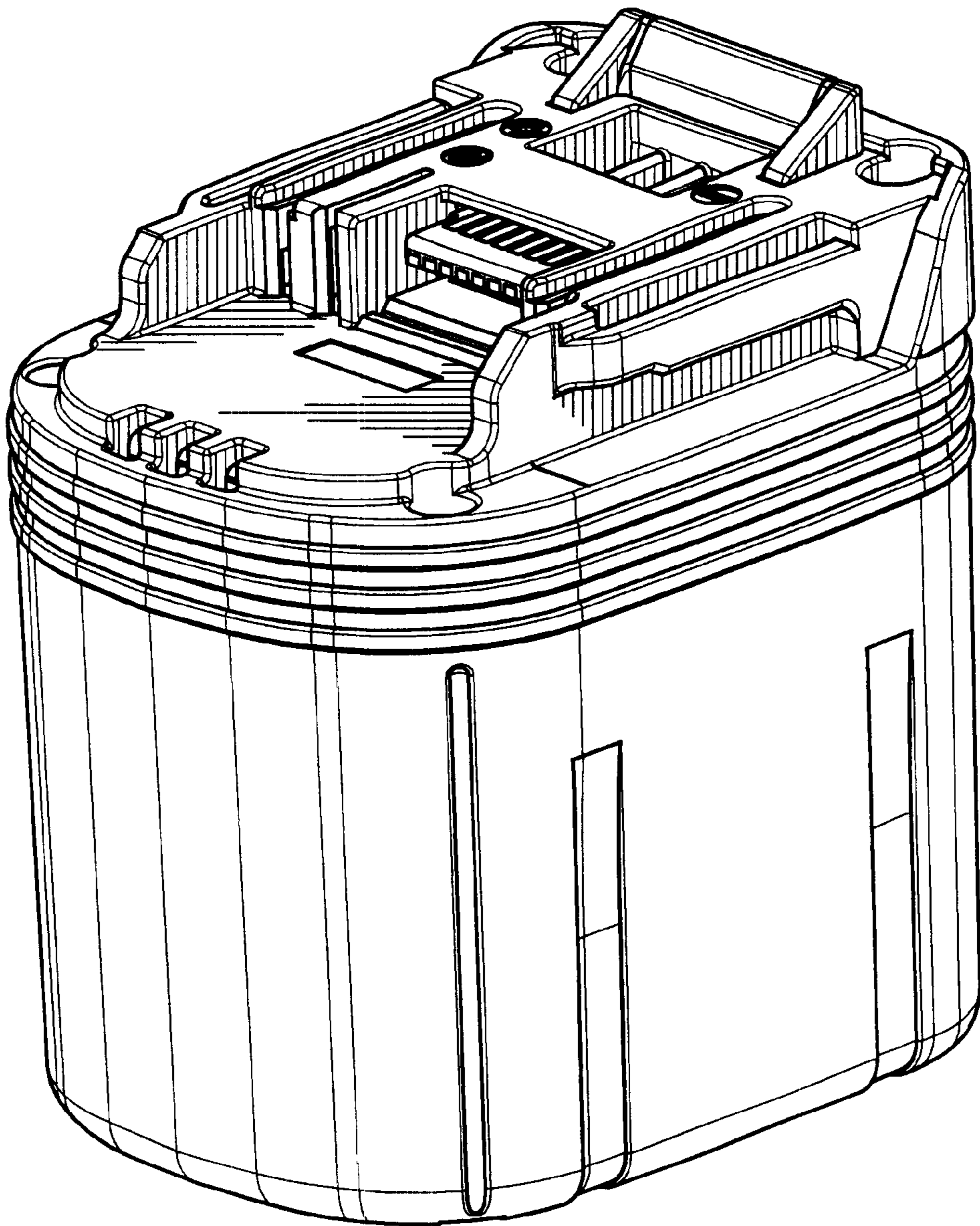


FIG. 8

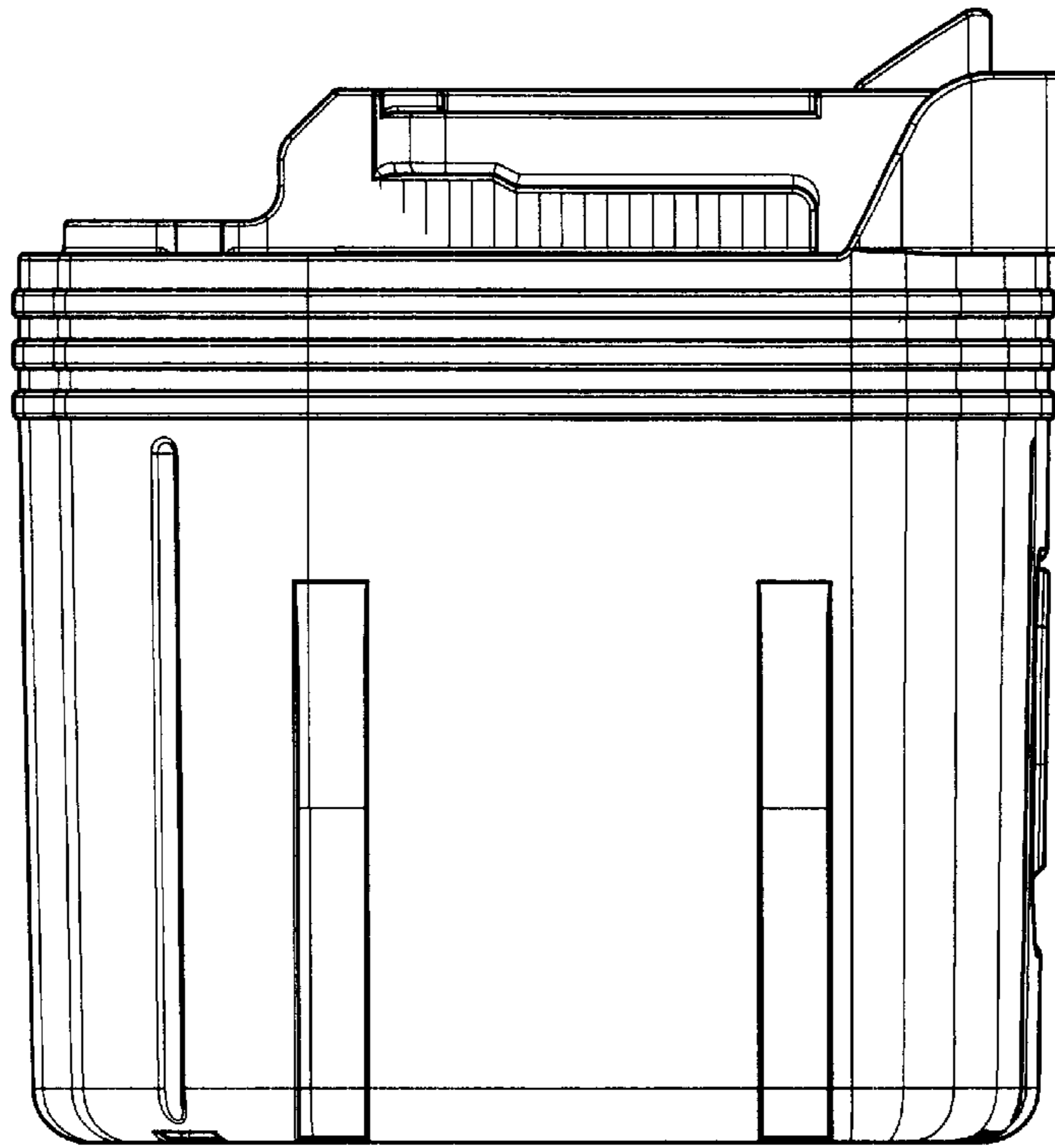


FIG. 9

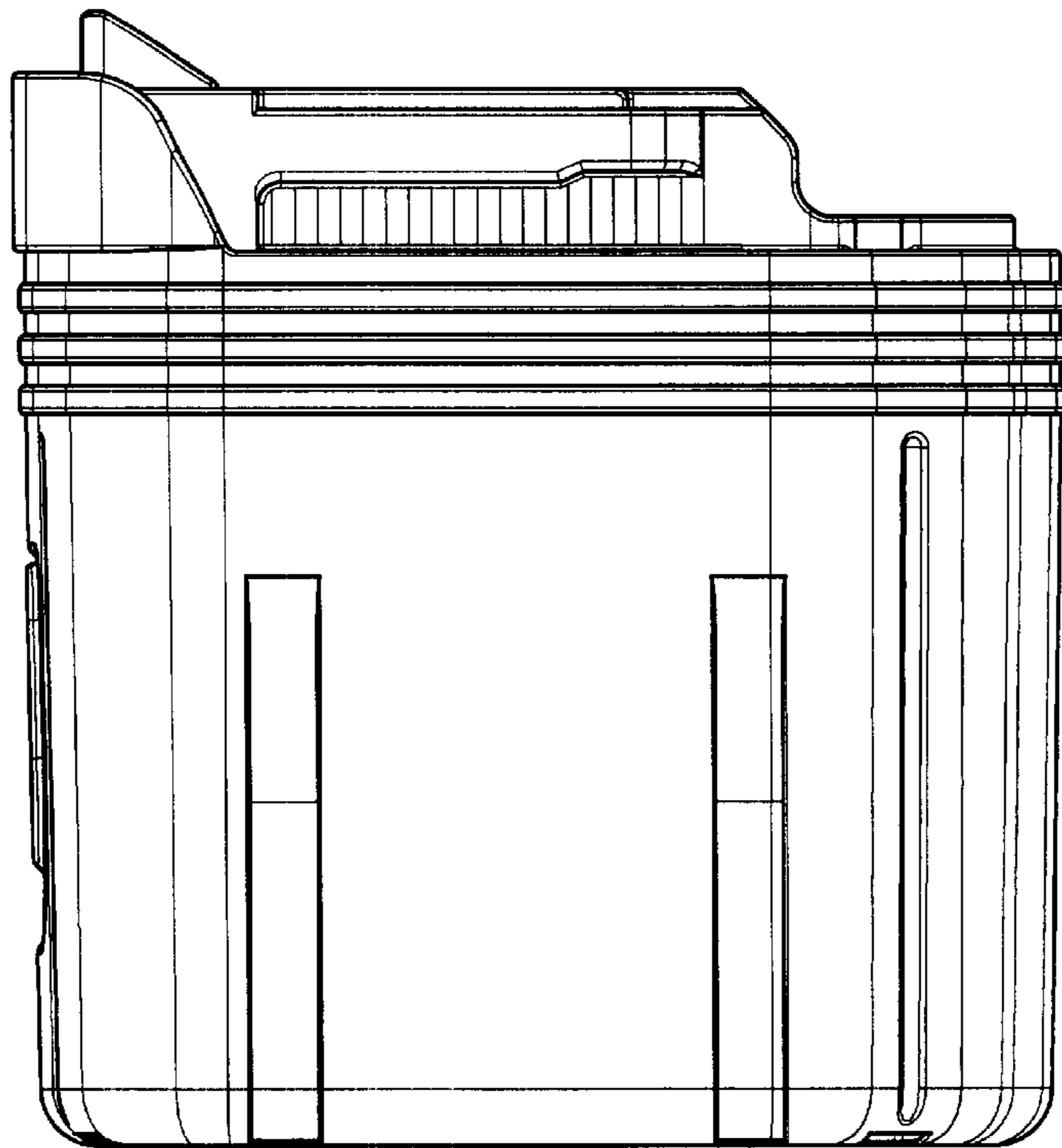


FIG. 10

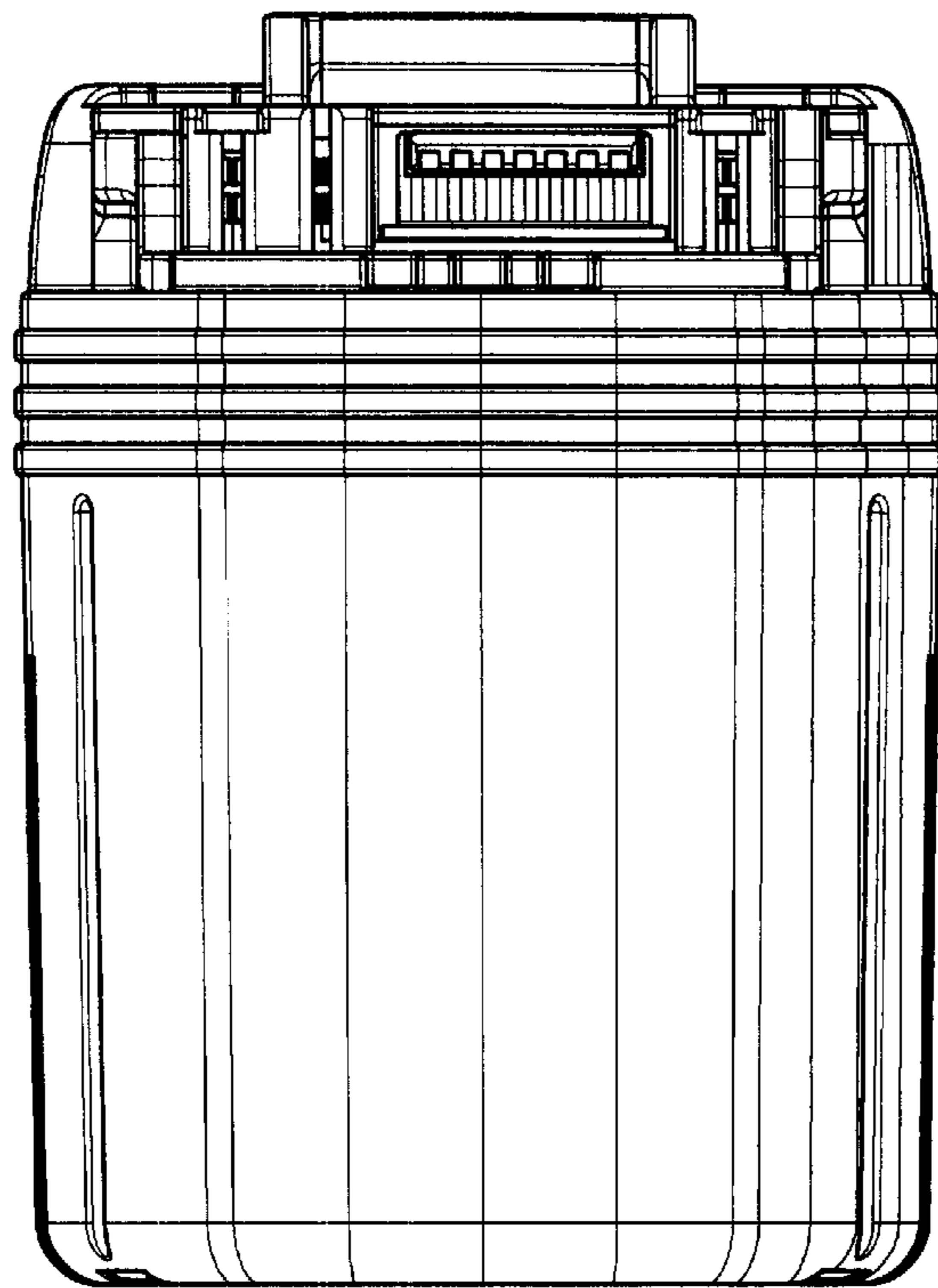


FIG. 11

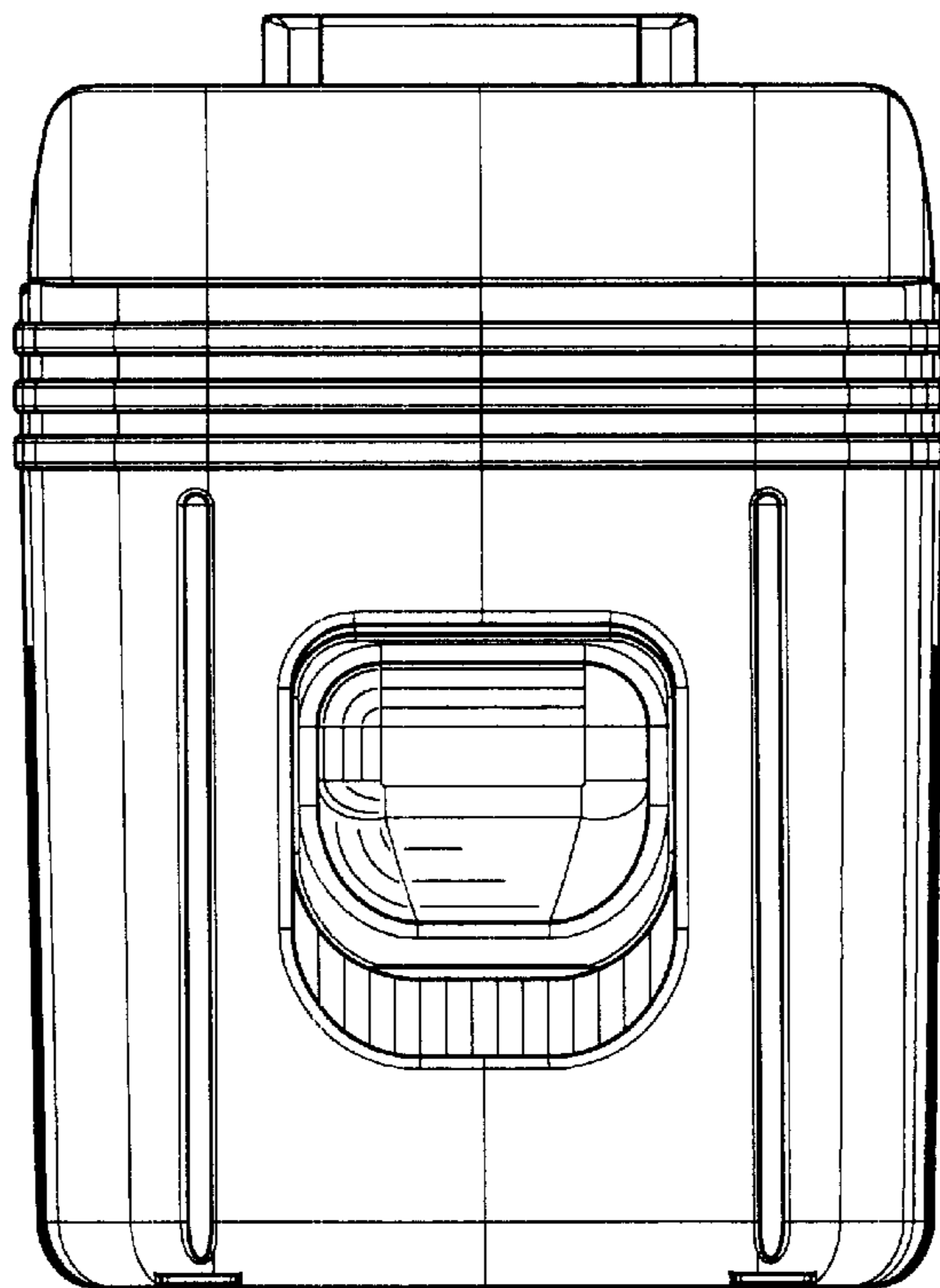


FIG. 12

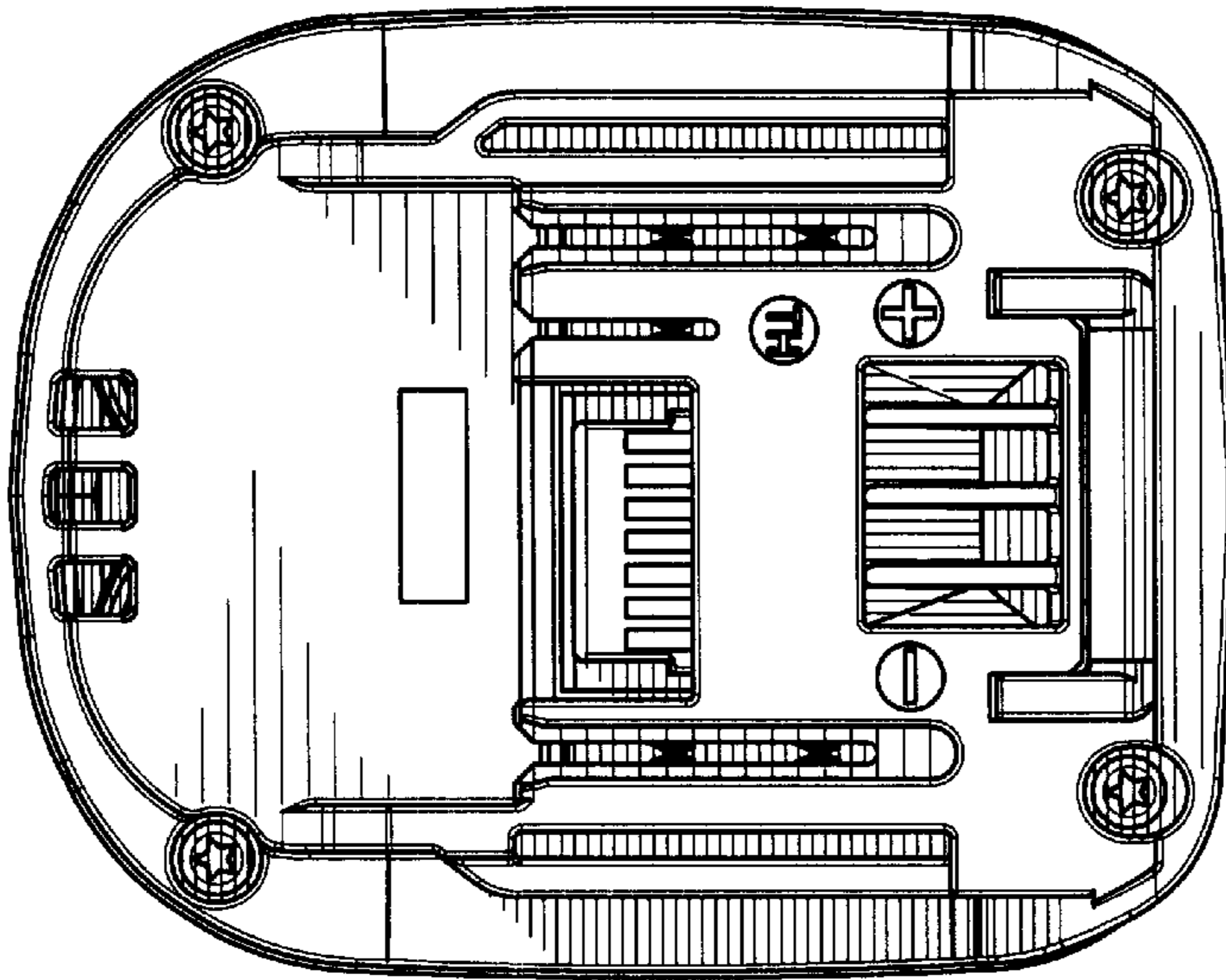


FIG. 13

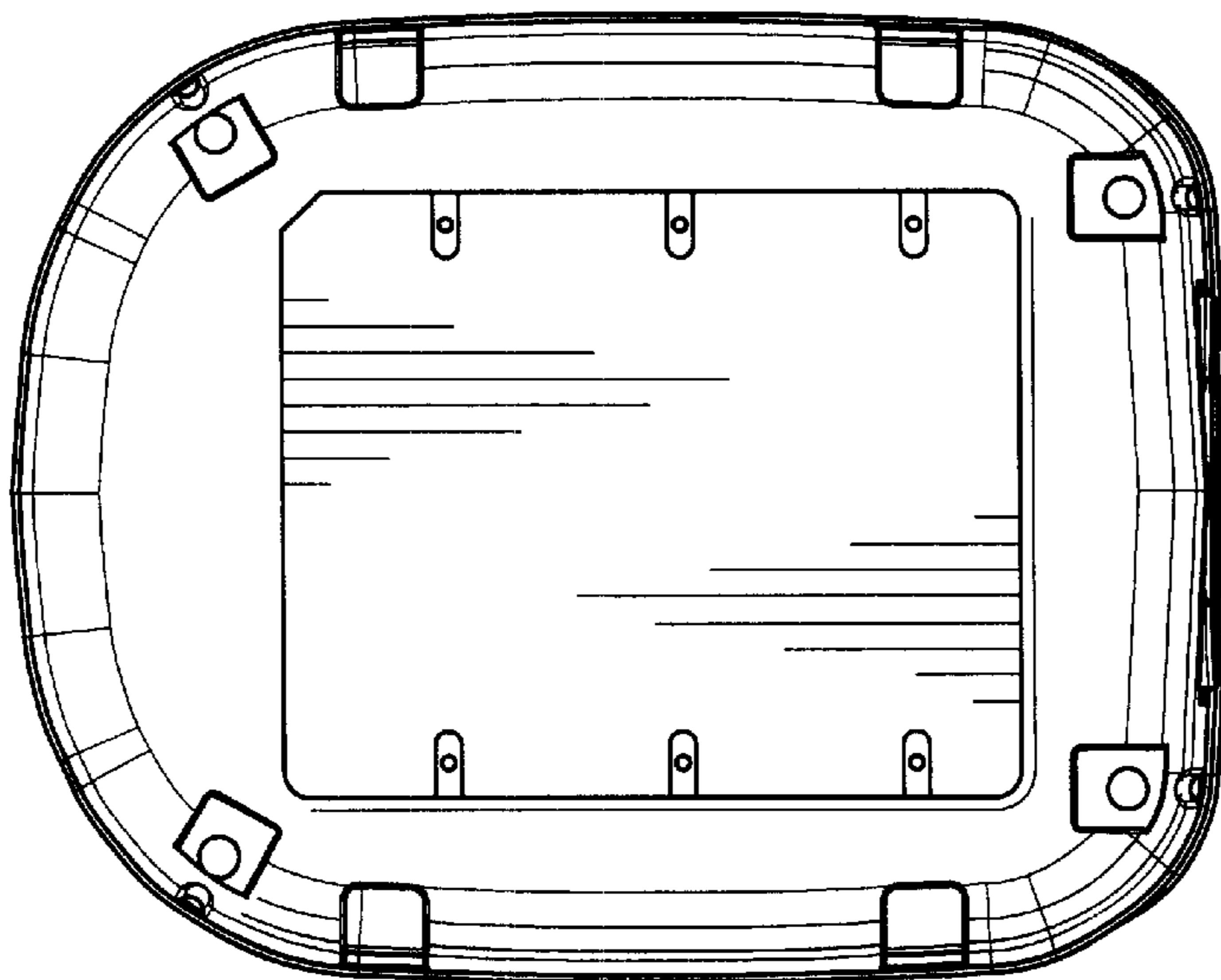


FIG. 14

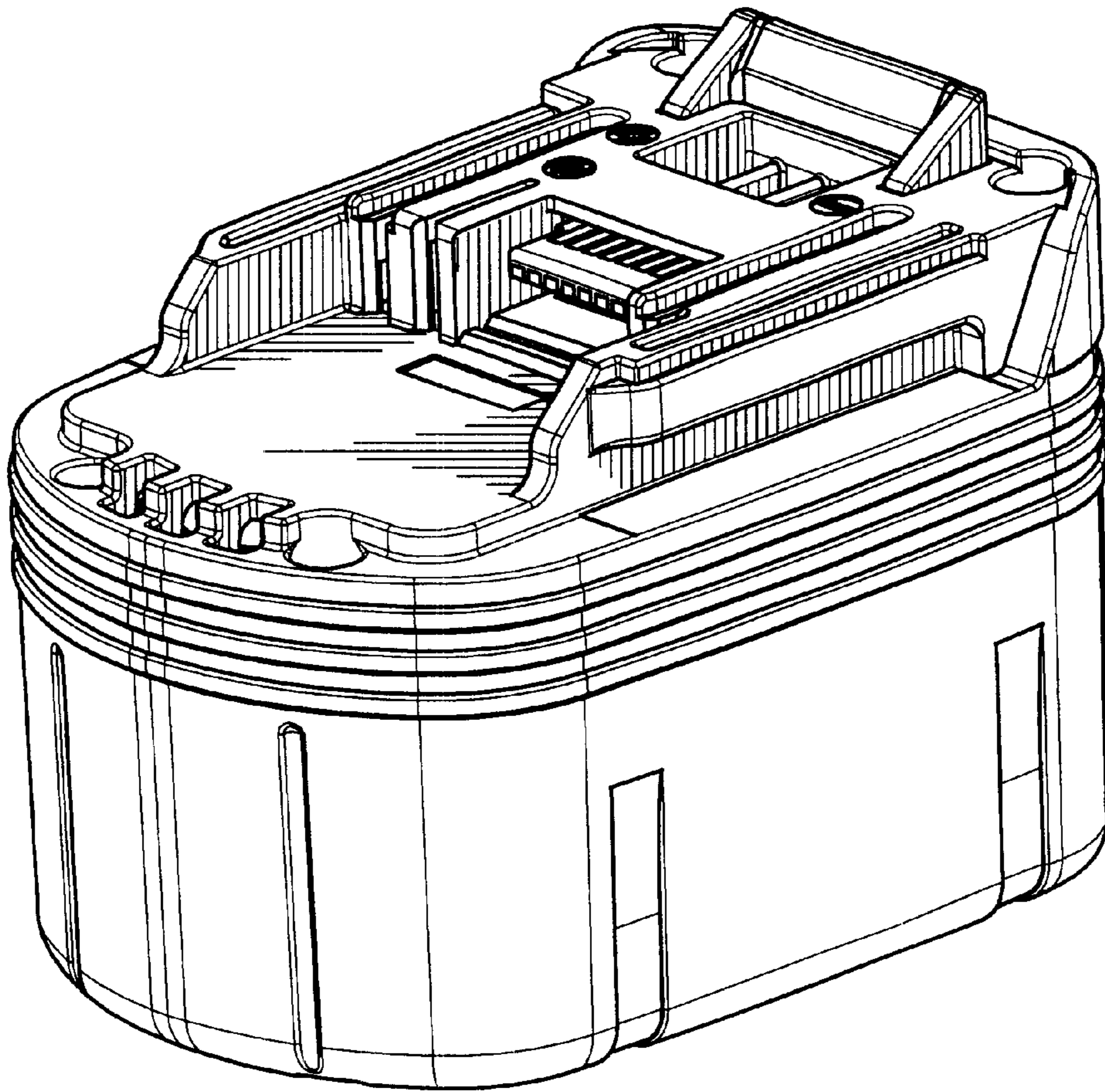


FIG. 15

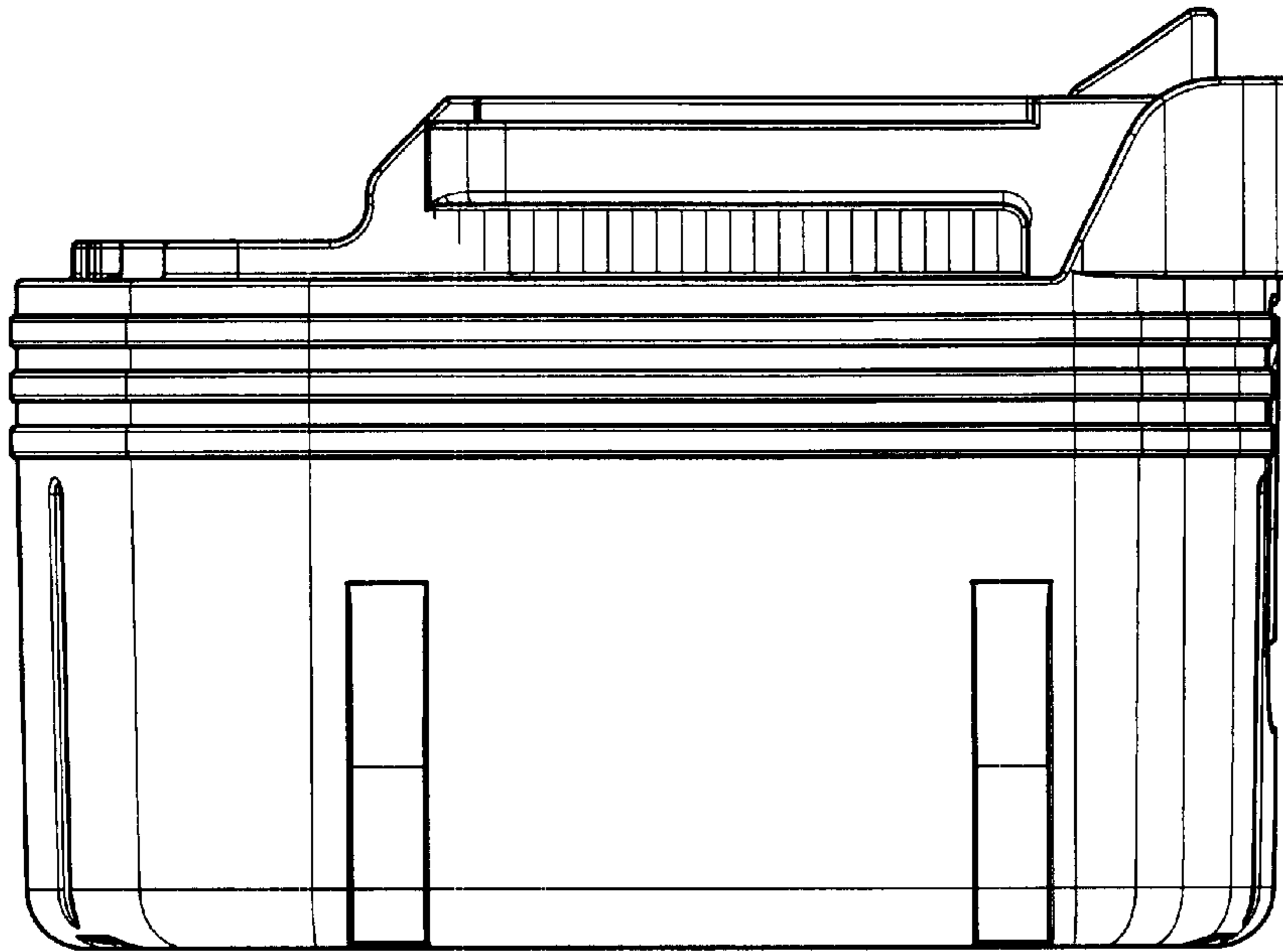


FIG. 16

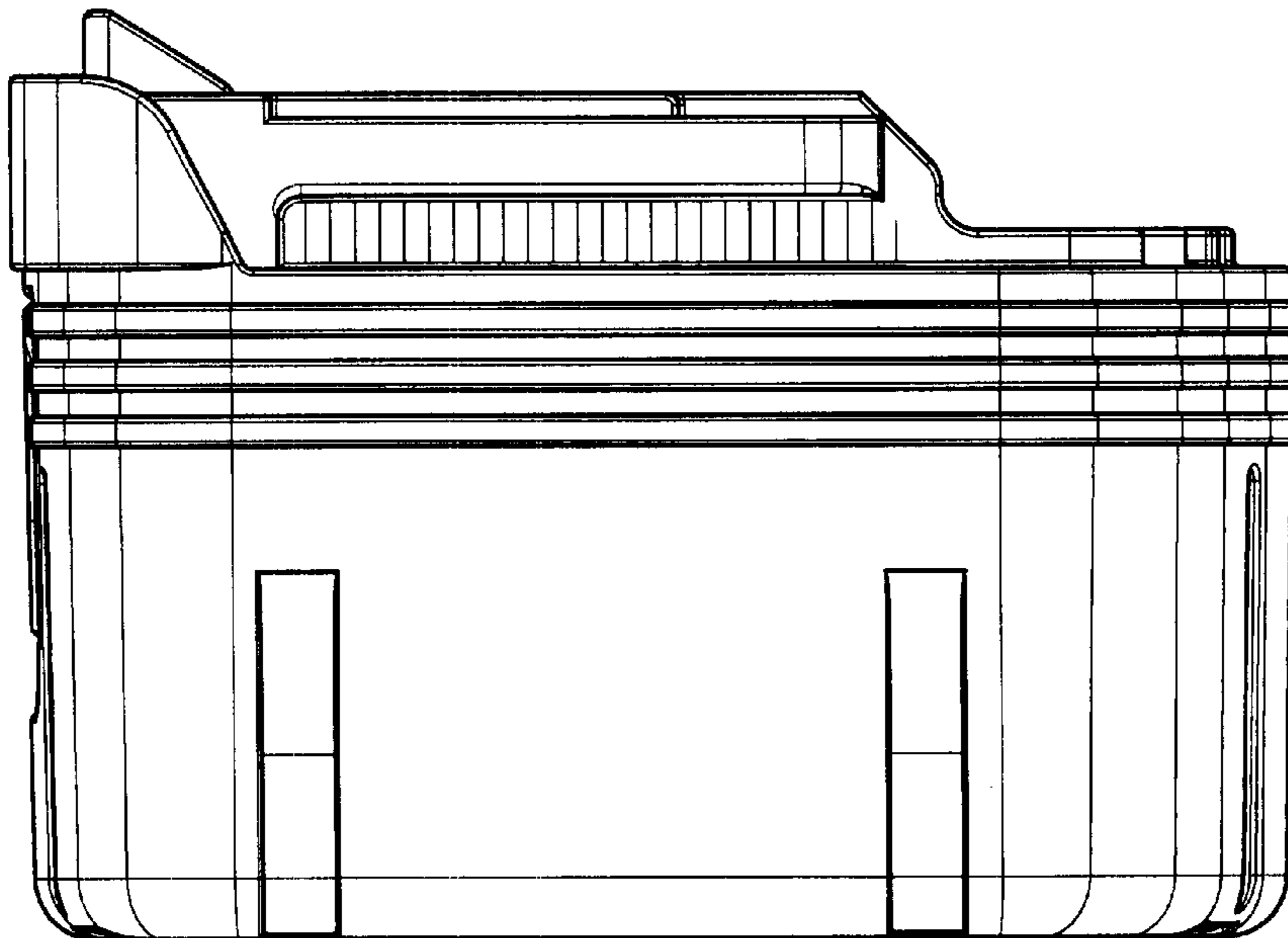


FIG. 17

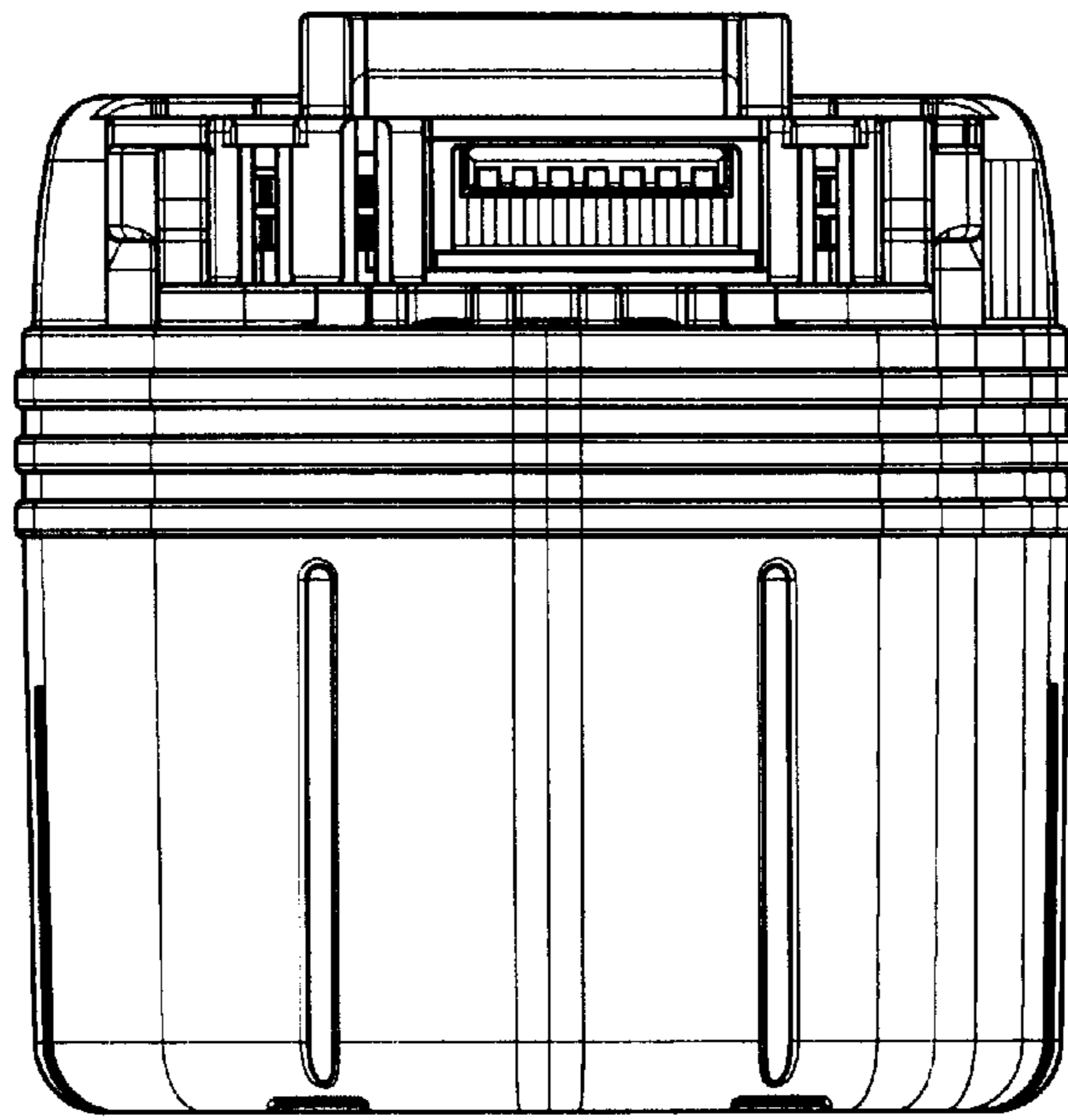


FIG. 18

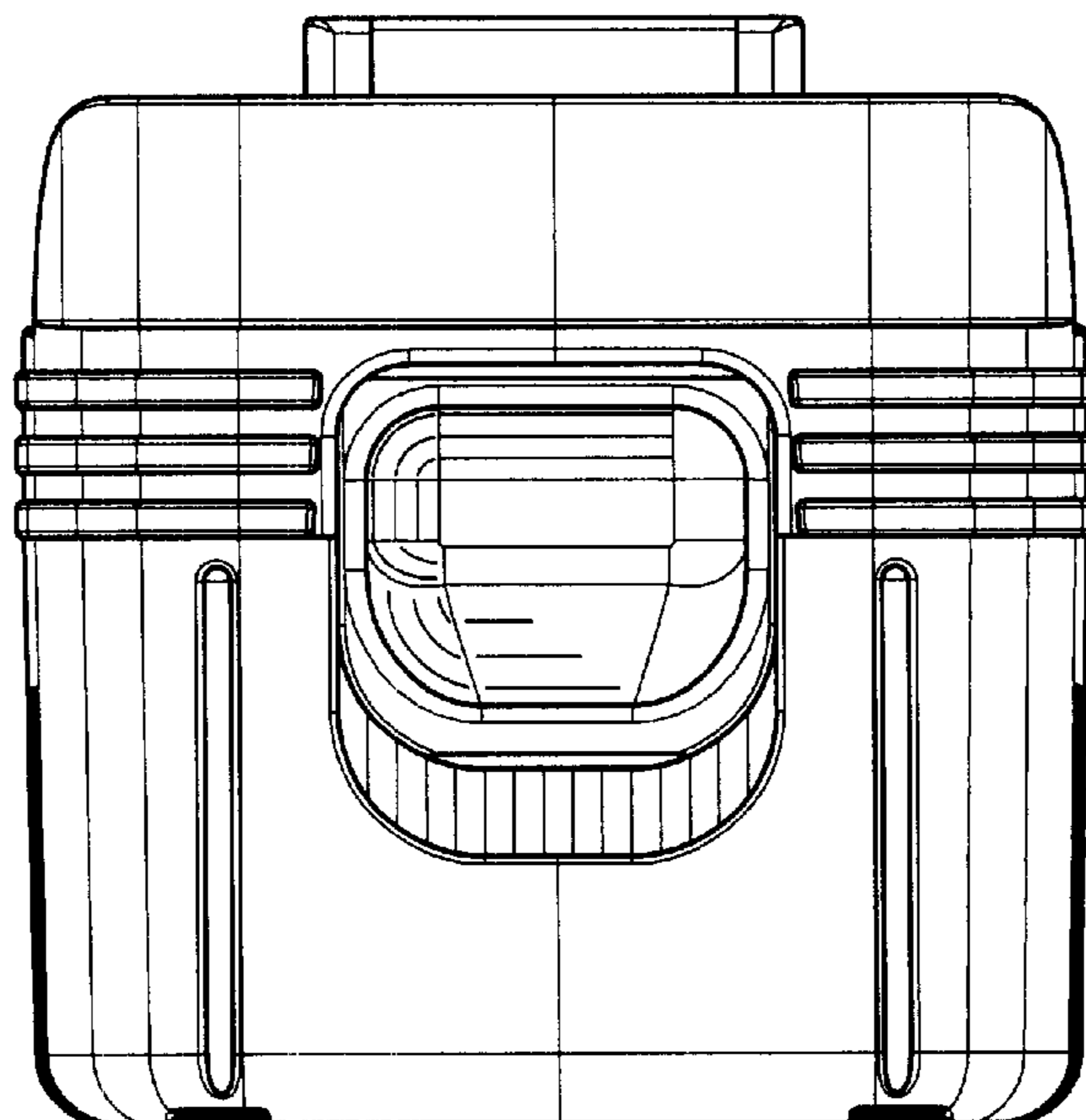


FIG. 19

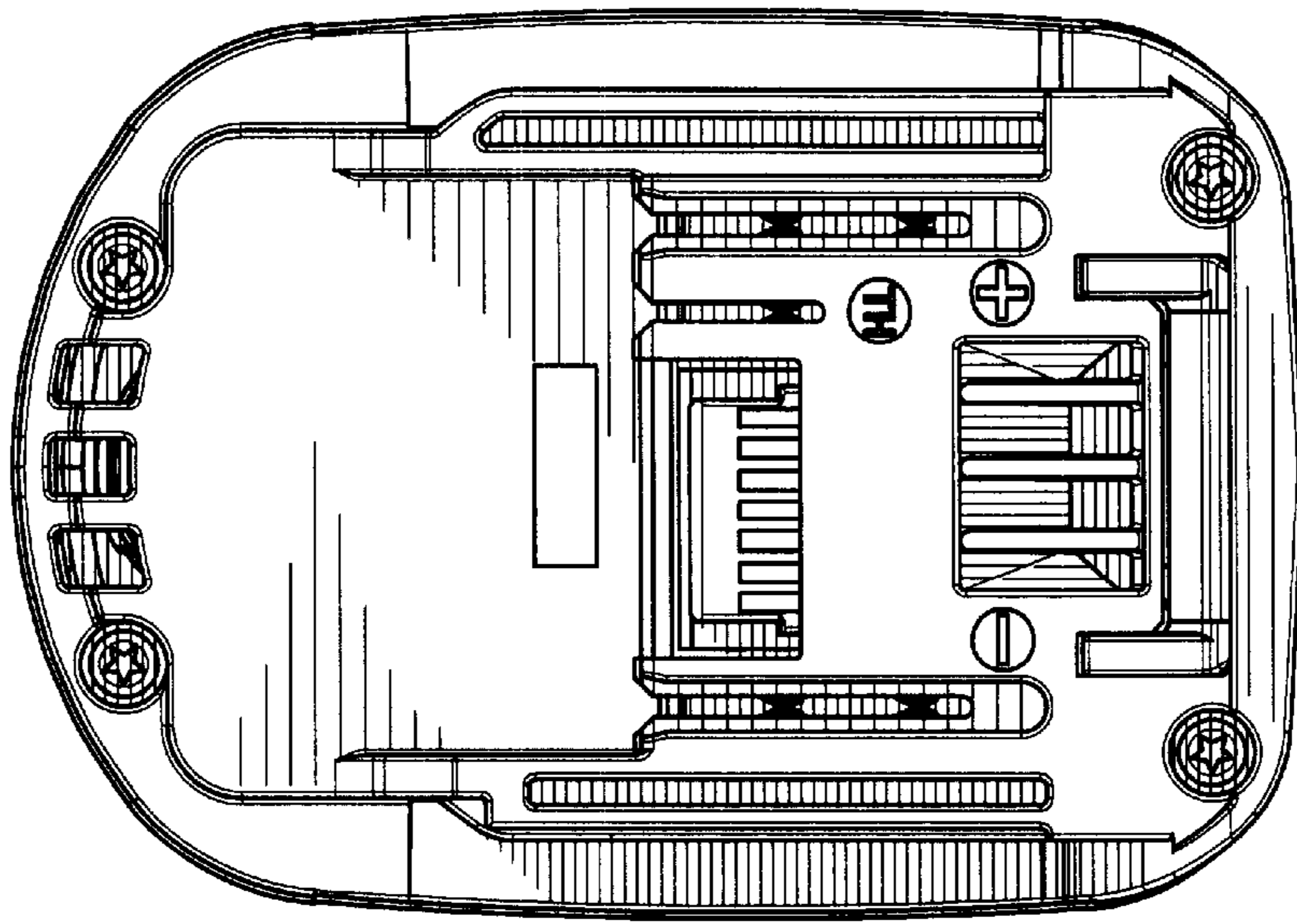


FIG. 20

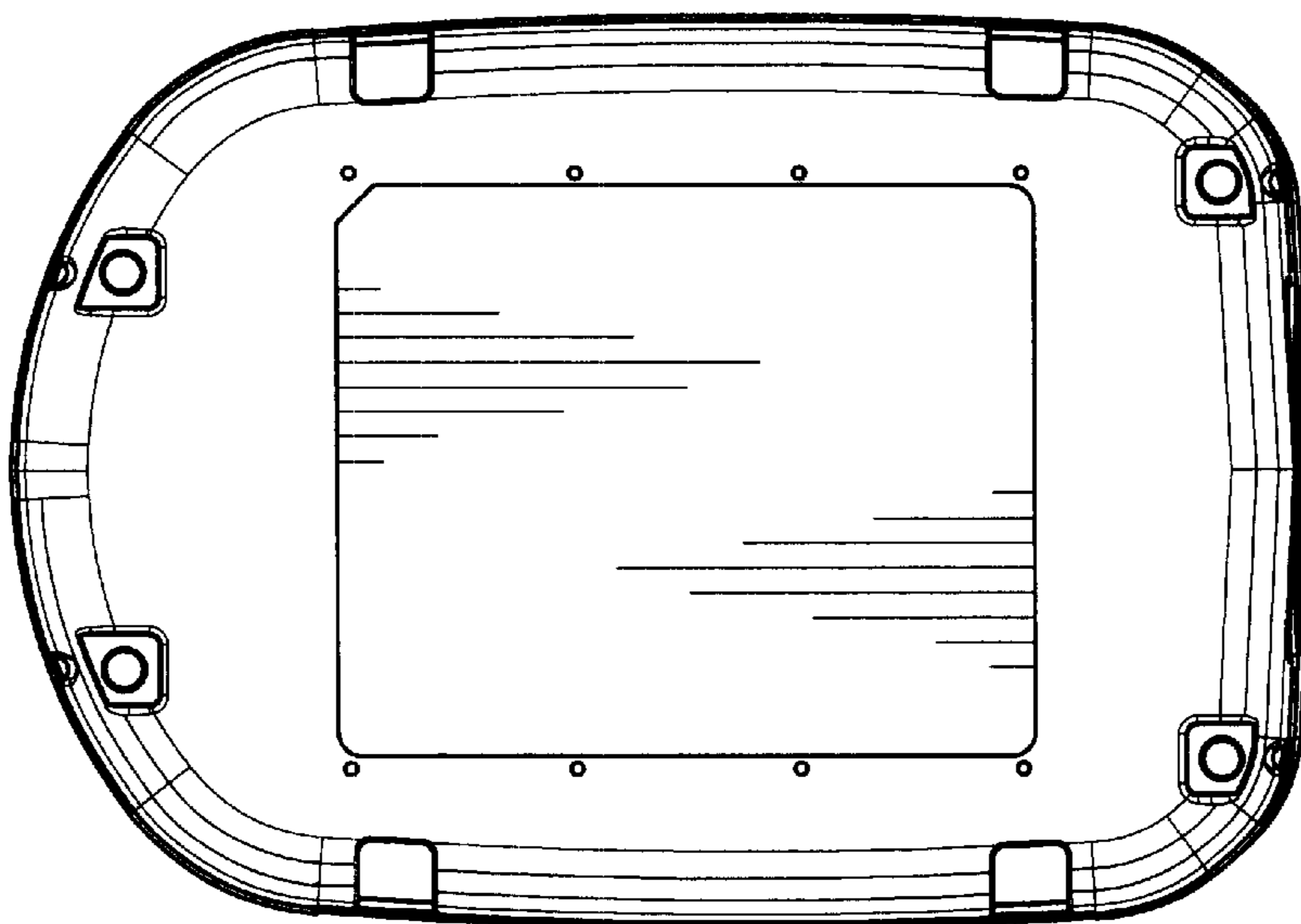


FIG. 21

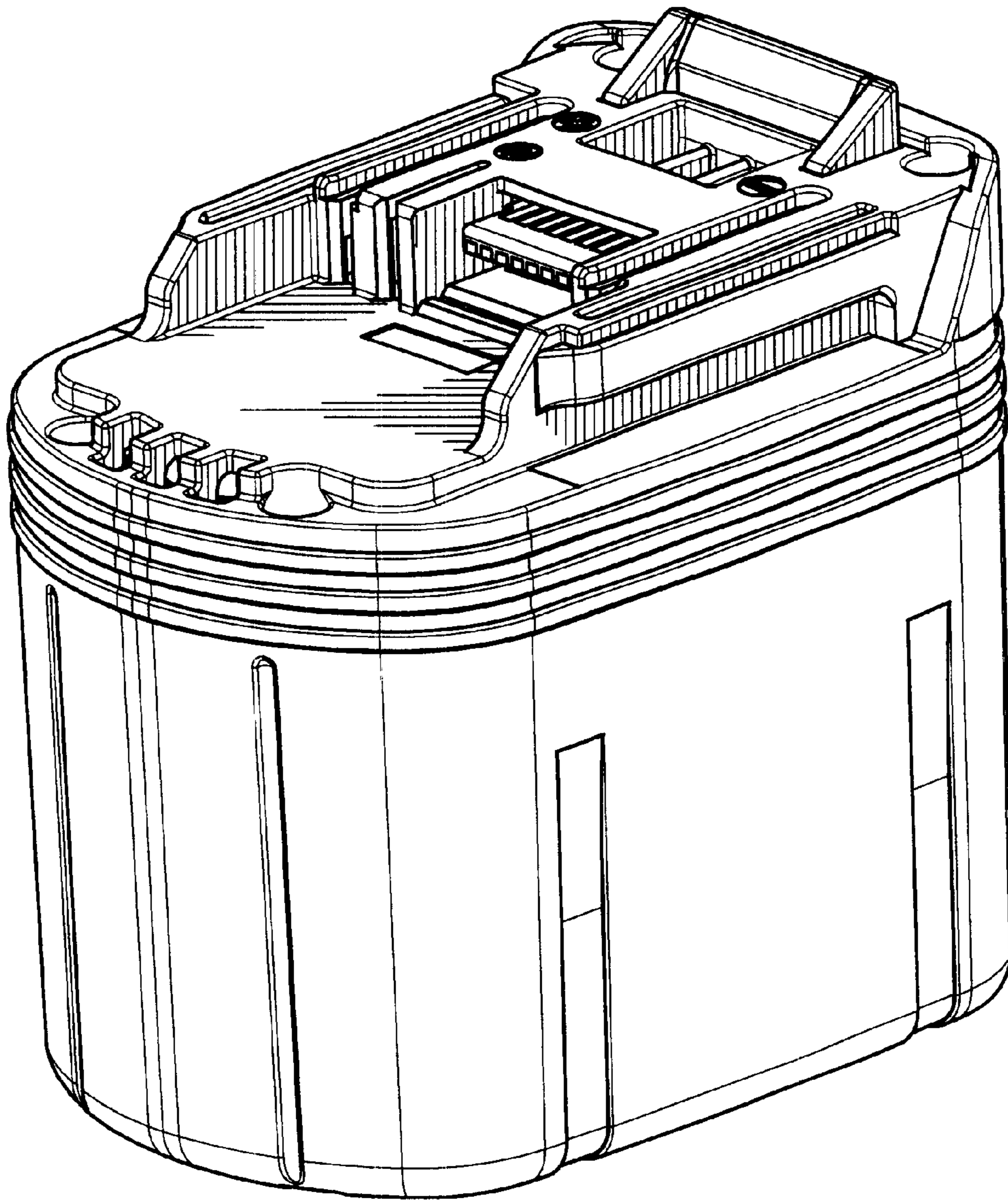


FIG. 22

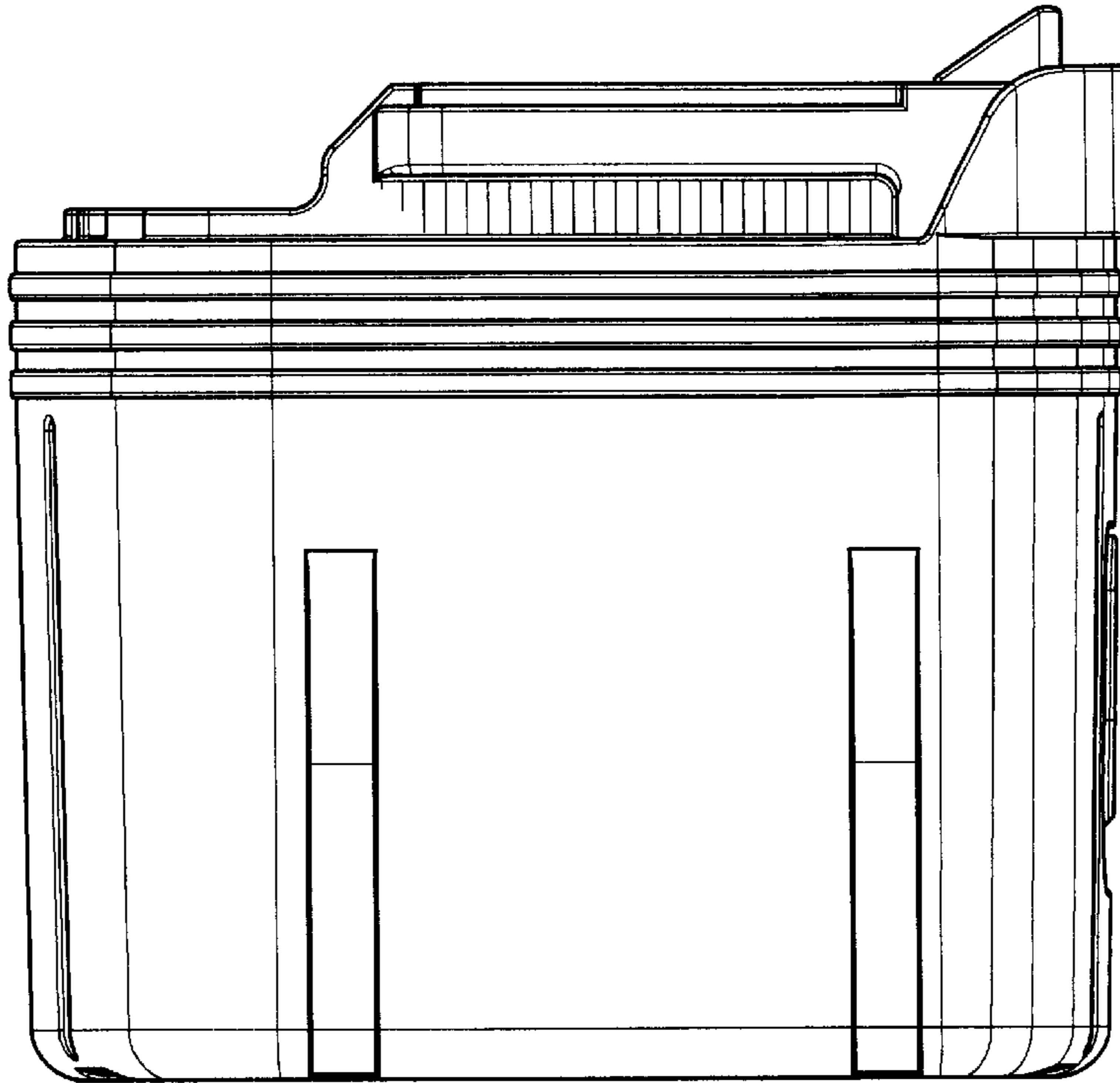


FIG. 23

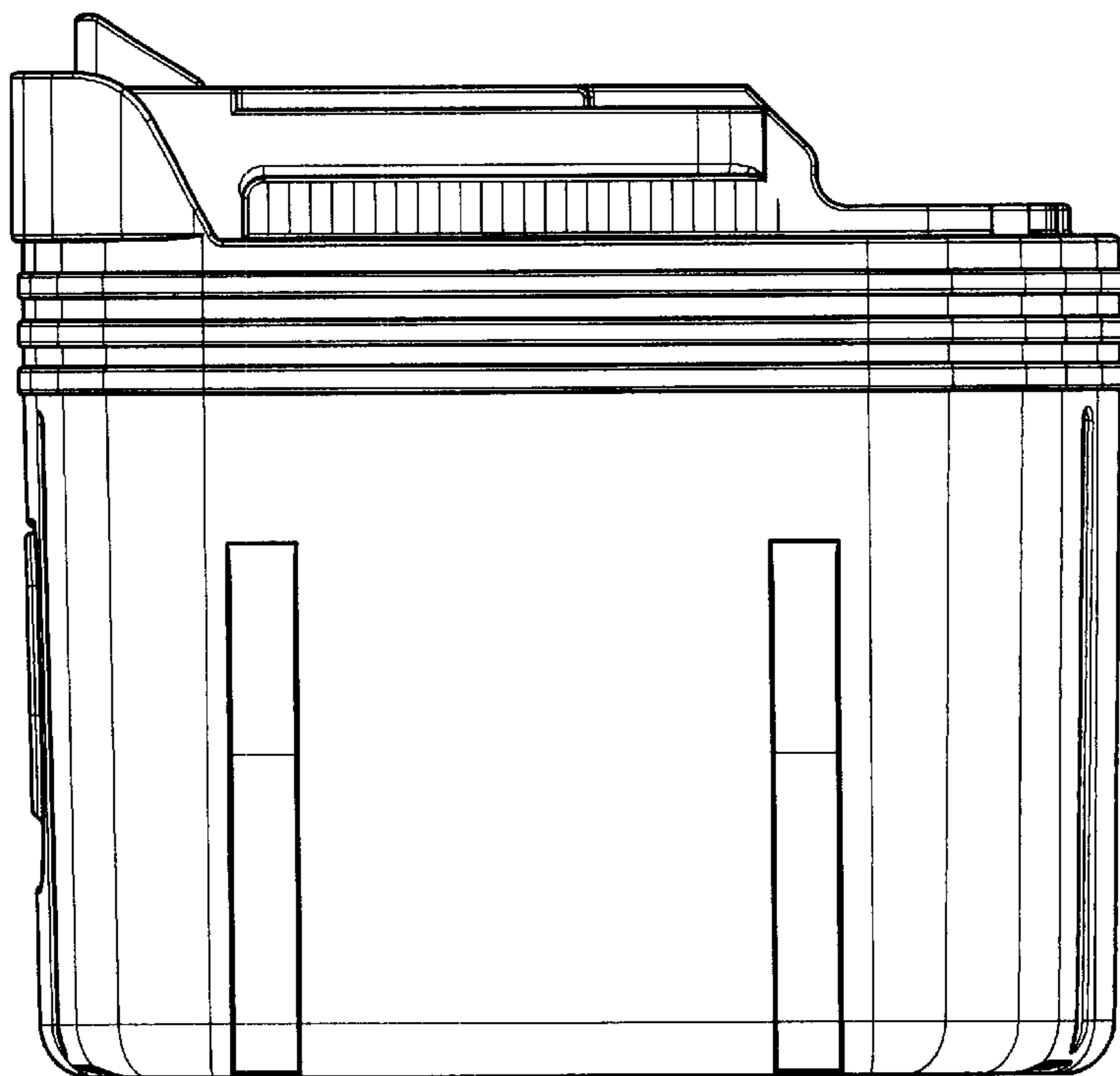


FIG. 24

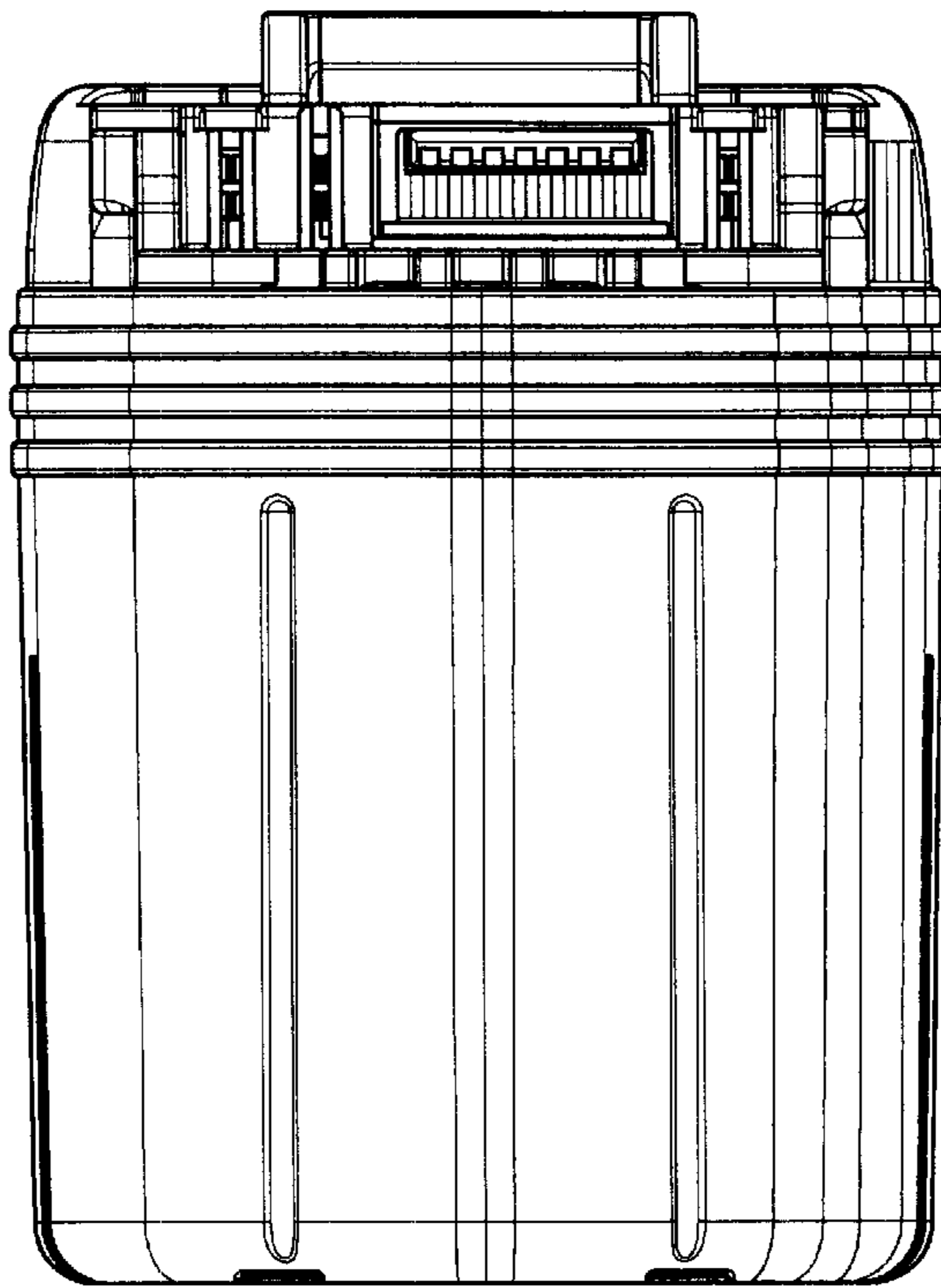


FIG. 25

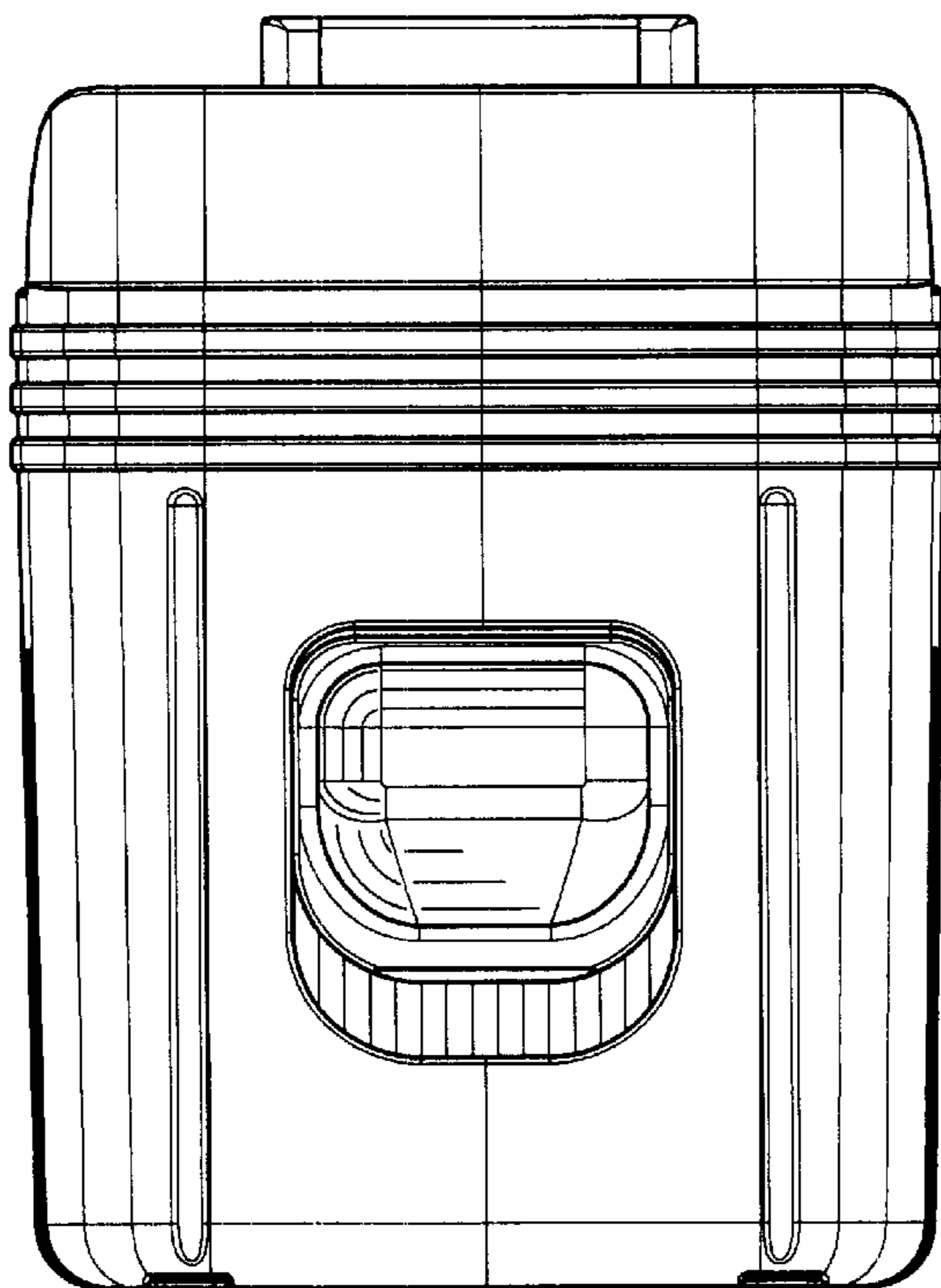


FIG. 26

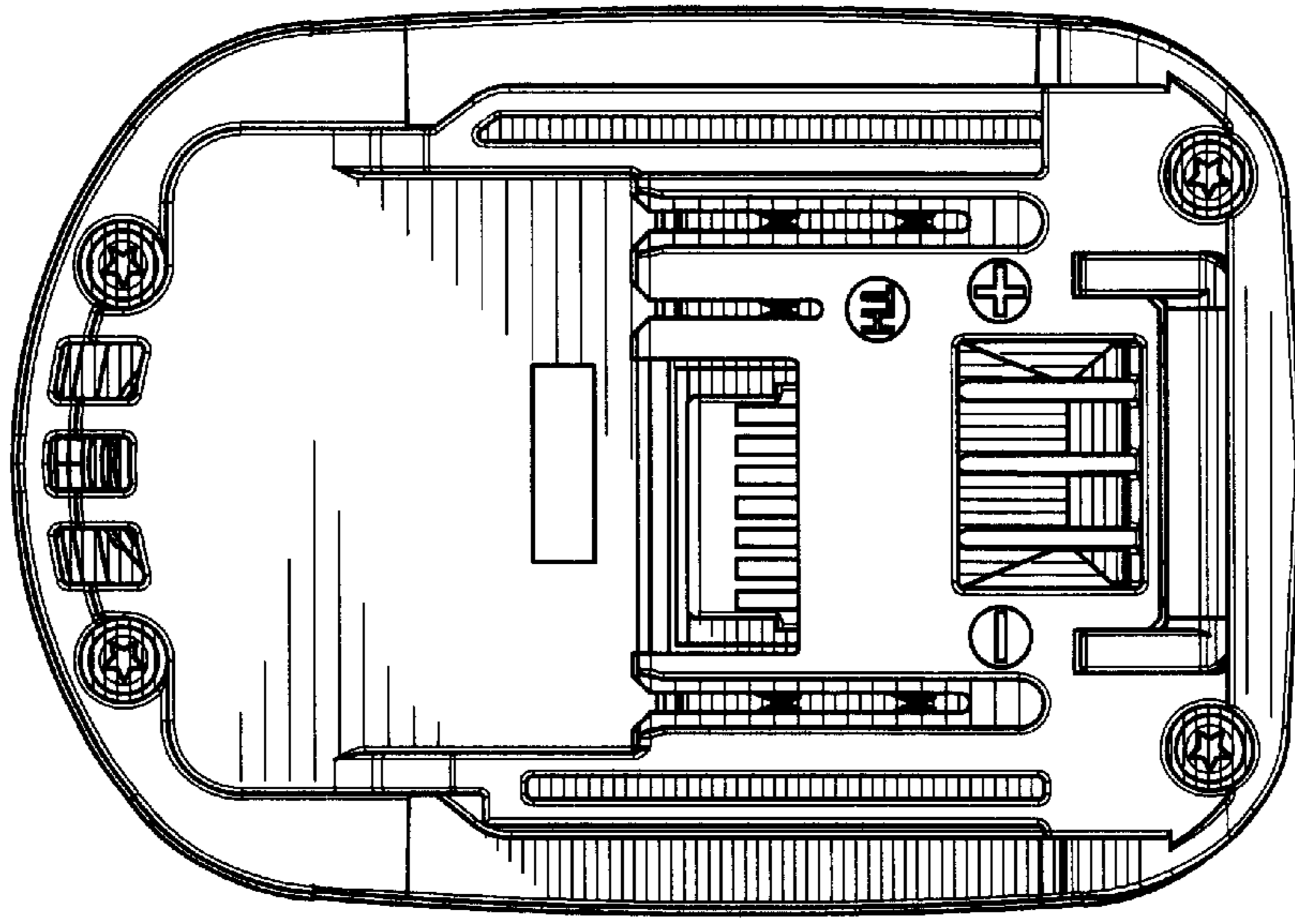


FIG. 27

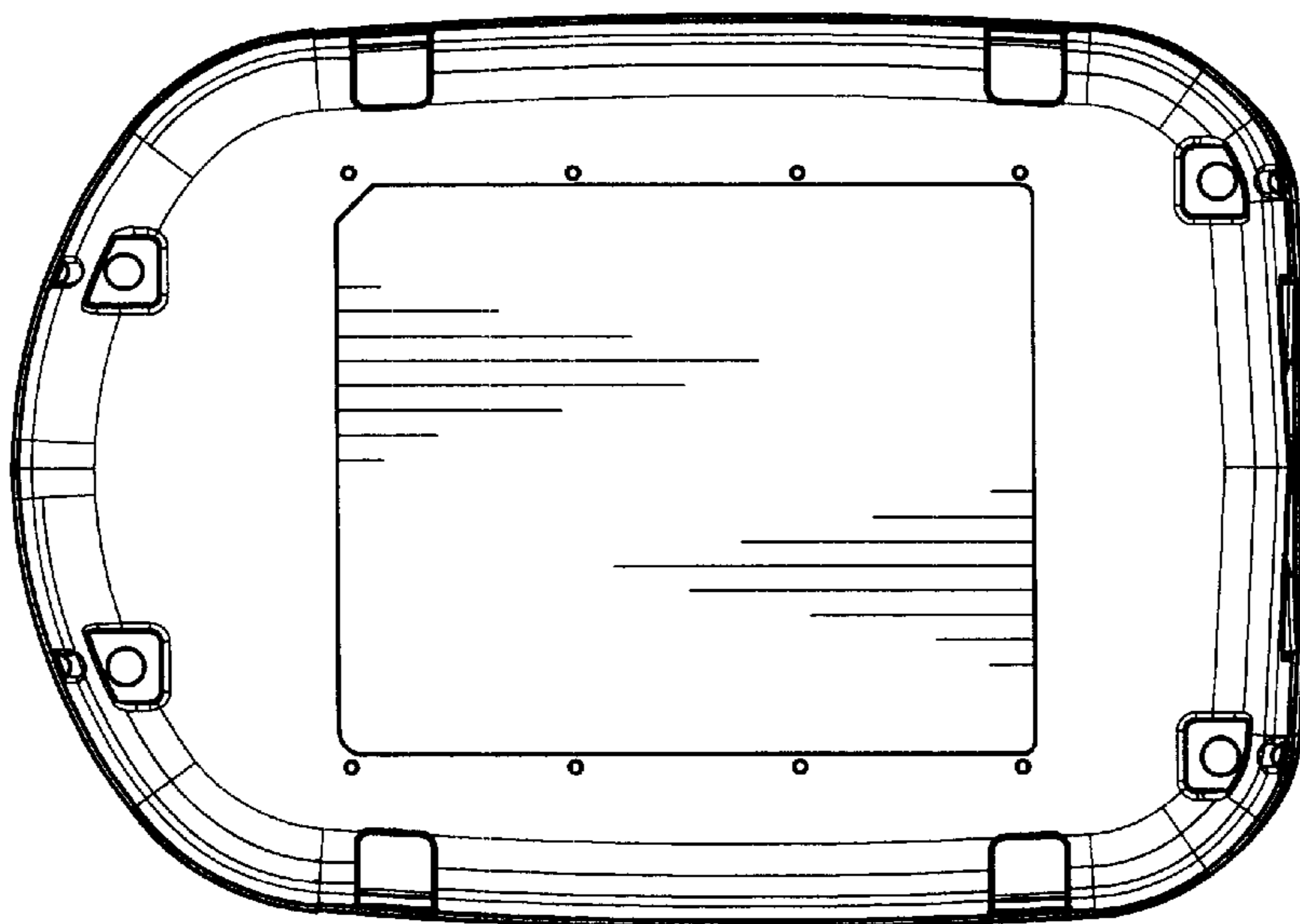


FIG. 28