



US00D455999S

(12) **United States Design Patent**
Graas

(10) **Patent No.:** **US D455,999 S**

(45) **Date of Patent:** **** Apr. 23, 2002**

(54) **TIRE TREAD**

(75) **Inventor:** **Maurice Graas, Reichlange (LU)**

(73) **Assignee:** **The Goodyear Tire & Rubber Company, Akron, OH (US)**

(**) **Term:** **14 Years**

(21) **Appl. No.:** **29/137,837**

(22) **Filed:** **Feb. 28, 2001**

(51) **LOC (7) Cl.** **12-15**

(52) **U.S. Cl.** **D12/585**

(58) **Field of Search** D12/579, 582,
D12/585, 588, 599, 602, 603; 152/209.1,
209.9, 209.11, 209.12, 209.13, 209.18,
209.19, 209.25, 209.27

(56) **References Cited**

U.S. PATENT DOCUMENTS

D310,803 S	9/1990	Hasegawa	D12/147
D349,672 S	8/1994	Seimiya et al.	D12/147
D349,673 S	8/1994	Seimiya et al.	D12/147
5,343,918 A	9/1994	Fontaine	152/209 R
5,385,189 A	1/1995	Aoki et al.	152/209 R
5,593,521 A	1/1997	Iseki	152/209 R
5,658,409 A	8/1997	Kakumu	156/110.1
D383,422 S	9/1997	Kunos et al.	D12/147
D384,614 S	10/1997	Hanlon et al.	D12/147
5,679,186 A	10/1997	Tagashira et al.	152/209 R
D392,226 S	* 3/1998	Alan et al.	D12/585
D394,622 S	* 5/1998	Guspodin et al.	D12/585
5,814,169 A	9/1998	Yamaguchi et al.	152/209 R
D405,740 S	2/1999	Heinen et al.	D12/147
D409,533 S	5/1999	Graas	D12/147
D412,144 S	* 7/1999	Demagall et al.	D12/585
D412,470 S	8/1999	Downey	D12/141
D416,839 S	11/1999	Heinen et al.	D12/147
6,102,093 A	8/2000	Nakagawa	152/209.2

D432,956 S	10/2000	Ricquet	D12/141
D432,957 S	10/2000	Ricquet	D12/141
D444,741 S	* 7/2001	Williams	D12/585

OTHER PUBLICATIONS

- Michelin MX4 Tire, 1999 Tread Design Guide, Jan. 1999, p. 50. 1/5.*
- Yokohama Avid Touring Tire, 1999 Tread Design Guide, Jan. 1999, p. 78. 4/2.*
- Aurora Radial 847 Tire & Avon CR39 Tire, 2000 Tread Design Guide, Jan. 2000, p. 14. 1/1 & 3/4.*
- Duralon Widetrack Radial H/R Tire, 2000 Tread Design Guide, Jan. 2000, p. 27. 3/2.*
- Hankook Ventus H101 Tire, 2000 Tread Design Guide, Jan. 2000, p. 37. 3/1.*

* cited by examiner

Primary Examiner—Robert M. Spear

(74) *Attorney, Agent, or Firm*—David E. Wheeler

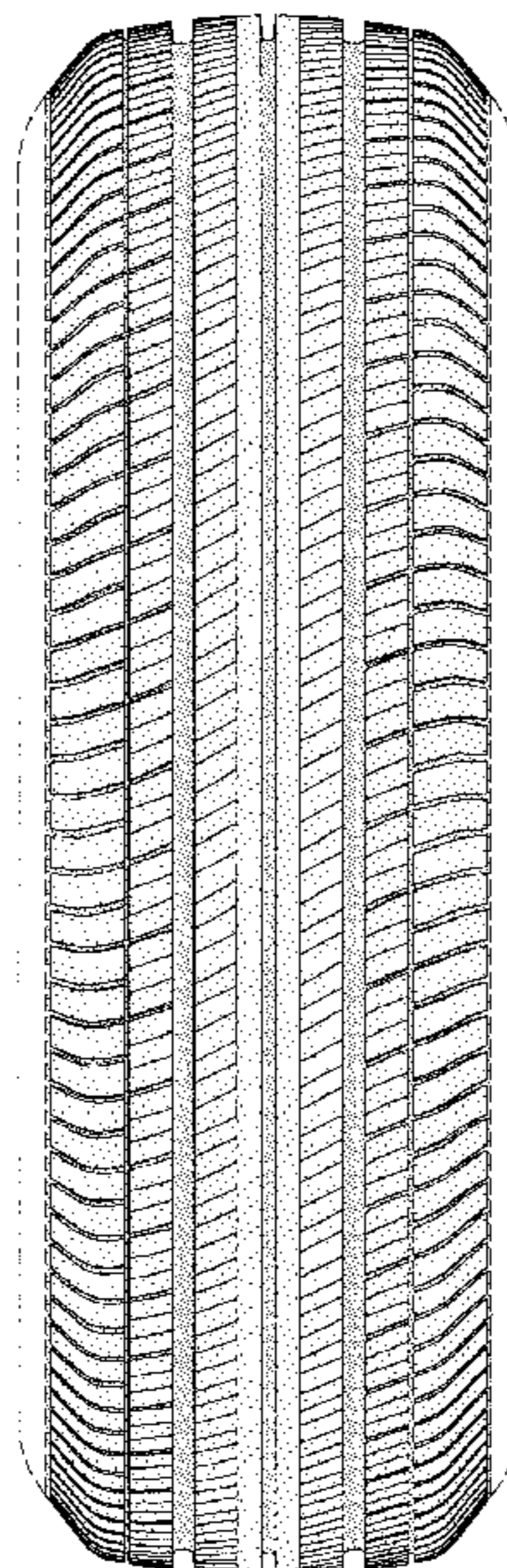
(57) **CLAIM**

The ornamental design for a tire tread, as shown and described.

DESCRIPTION

FIG. 1 is a perspective view of a tire tread showing our new design, it being understood that the pattern repeats uniformly throughout the circumference of the tread;
 FIG. 2 is a front elevational view thereof;
 FIG. 3 is a side elevational view thereof, the opposite side elevational view being identical thereto; and,
 FIG. 4 is an enlarged fragmentary perspective view.
 In the drawings, the broken lines defining the sidewall and inner bead and the peripheral boundary between the tire tread and the sidewall are for illustrative purposes only and form no part of the claimed design.

1 Claim, 4 Drawing Sheets



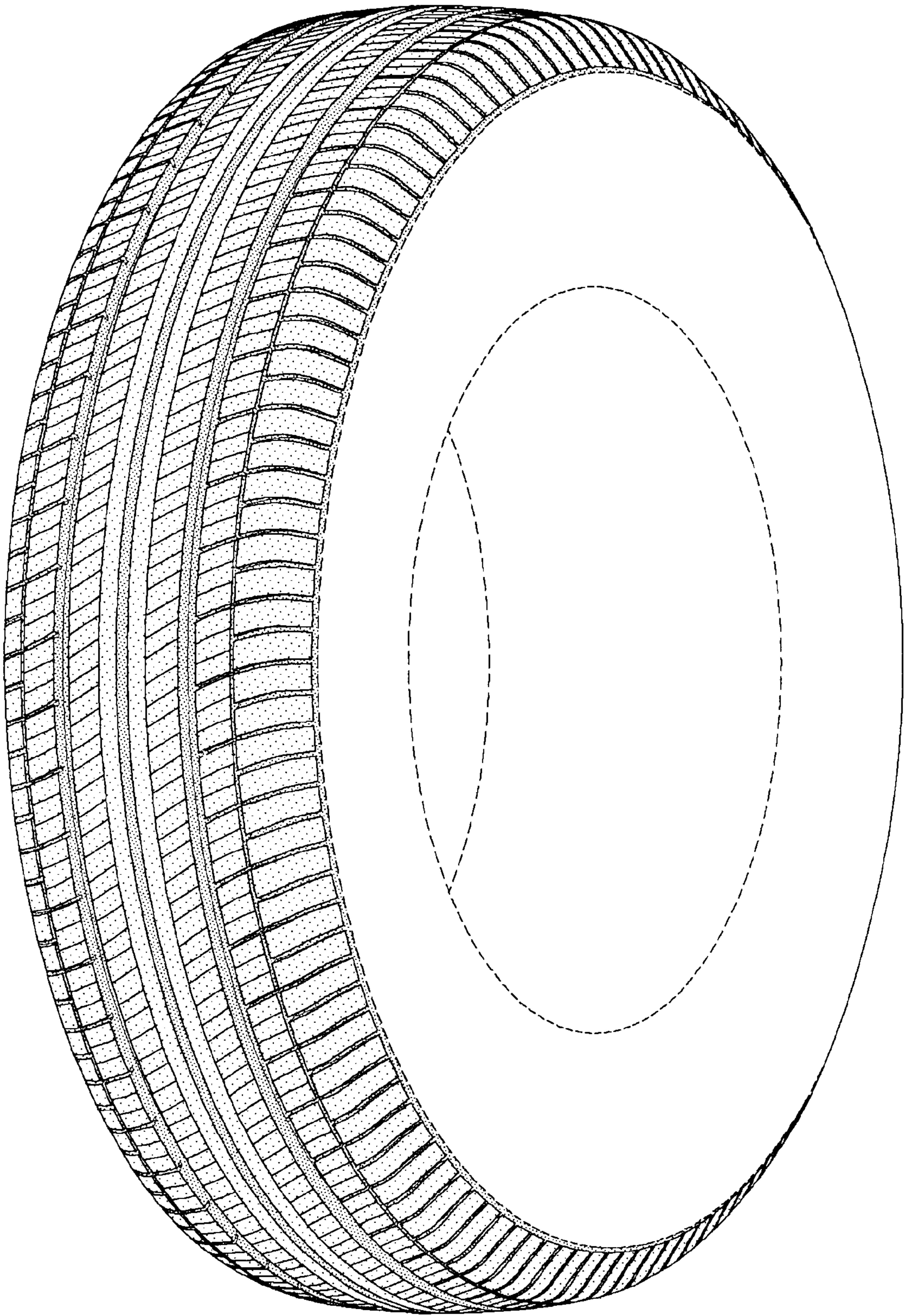


FIG-1

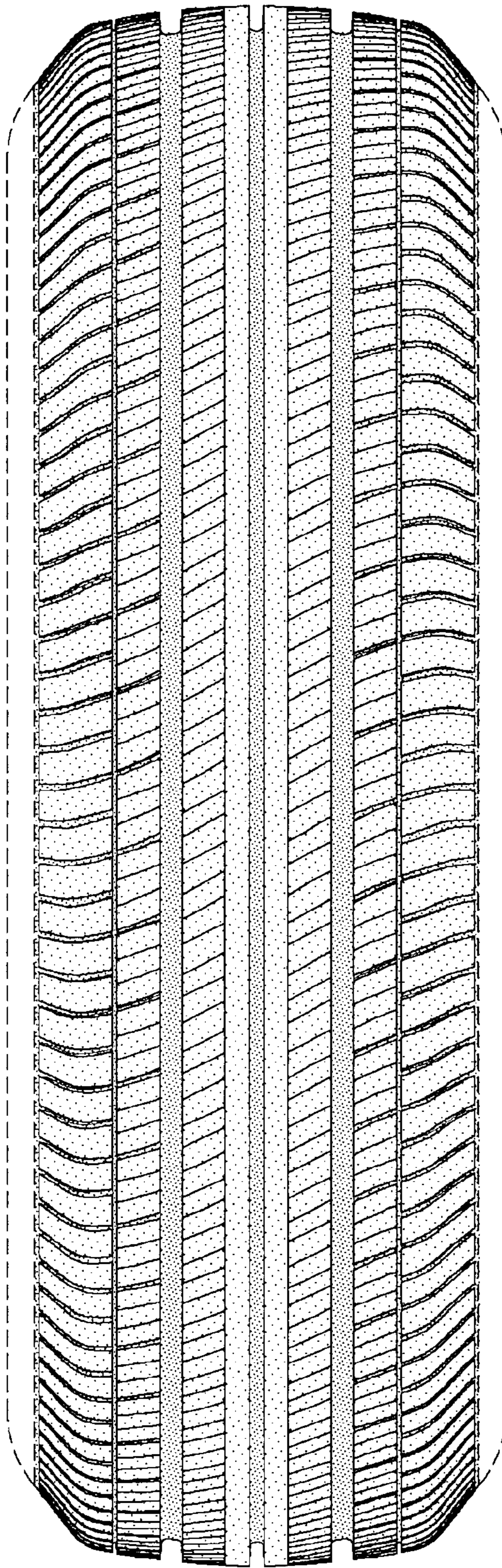


FIG-2

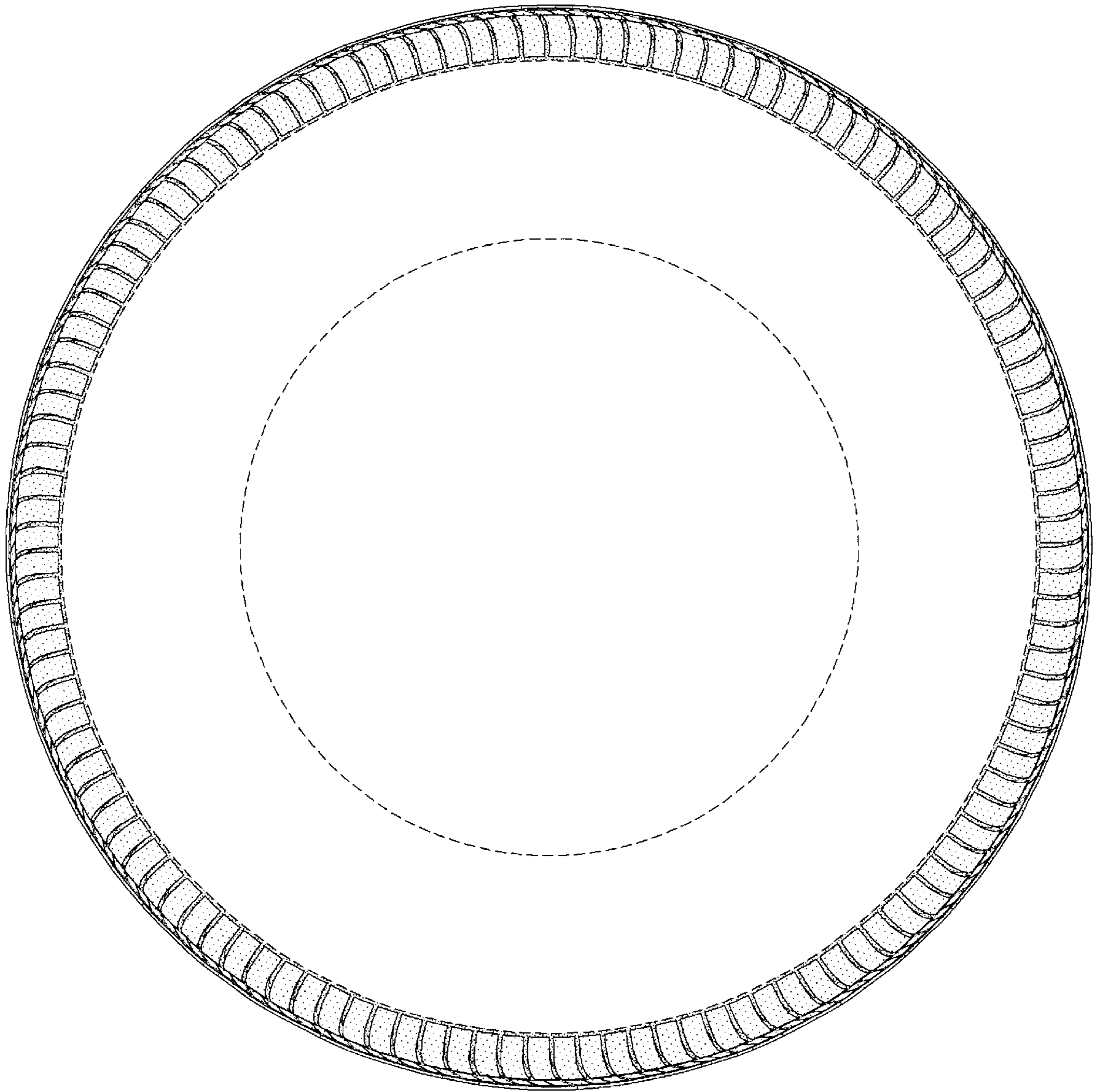


FIG-3

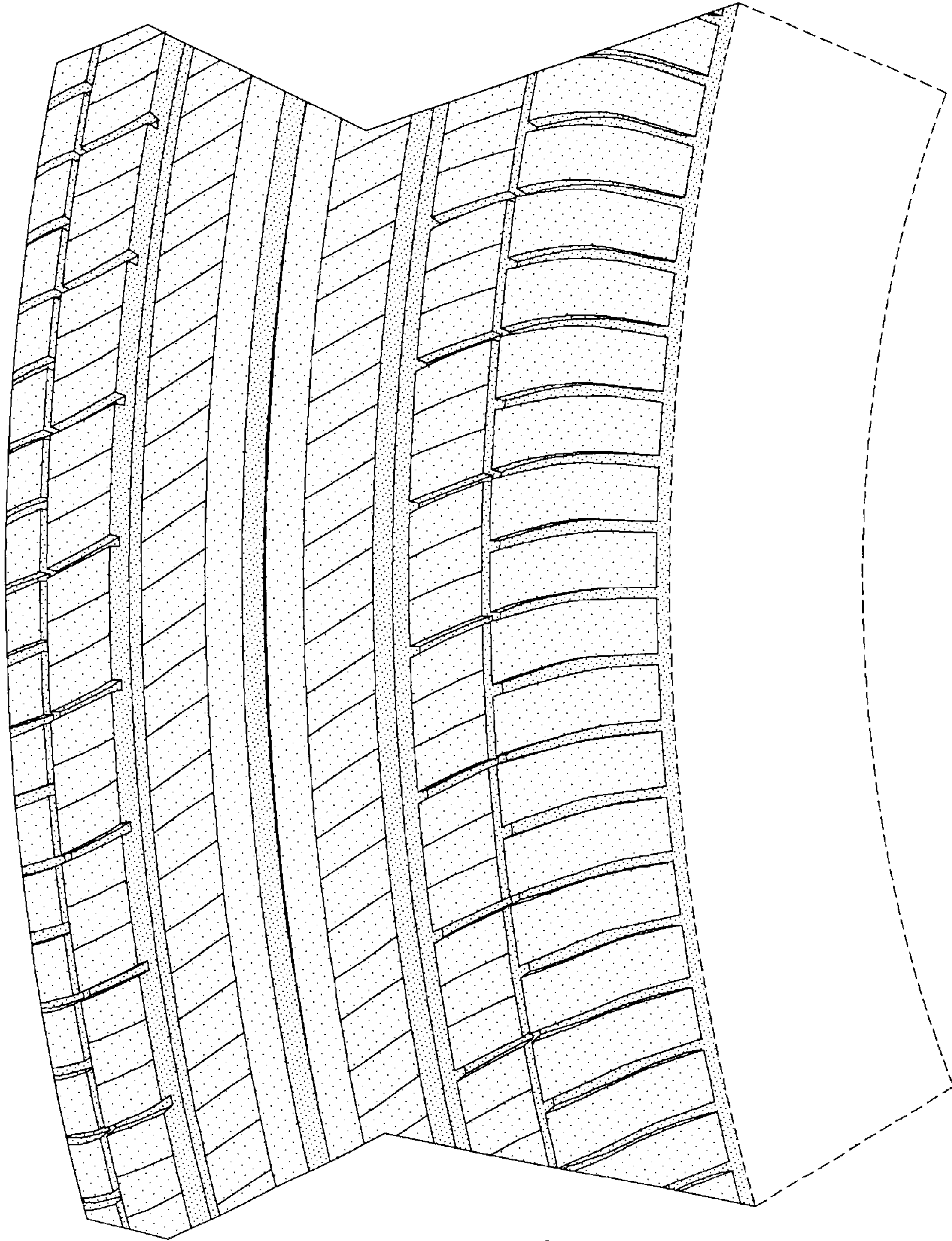


FIG-4