



US00D455987S

(12) **United States Design Patent**
Hayashi

(10) **Patent No.:** **US D455,987 S**

(45) **Date of Patent:** **** Apr. 23, 2002**

(54) **BUMPER OF AN AUTOMOBILE**

(75) Inventor: **Youji Hayashi, Wako (JP)**

(73) Assignee: **Honda Giken Kogyo Kabushiki Kaisha, Tokyo (JP)**

(**) Term: **14 Years**

(21) Appl. No.: **29/136,218**

(22) Filed: **Jan. 29, 2001**

(51) **LOC (7) Cl.** **12-16**

(52) **U.S. Cl.** **D12/169**

(58) **Field of Search** D12/169, 196,
D12/90-92; 296/185; 293/113, 115, 102,
120

(56) **References Cited**

U.S. PATENT DOCUMENTS

D436,067 S	*	1/2001	Okano et al.	D12/169
D437,811 S	*	2/2001	O'Connell et al.	D12/169
D444,112 S	*	6/2001	Shimazu	D12/169

OTHER PUBLICATIONS

Honda brochure, CR-V Comfortable Runabout Vehicle, 95HN-K-510, 1995.

* cited by examiner

Primary Examiner—Melody N. Brown

(74) *Attorney, Agent, or Firm*—Arent Fox Kintner Plotkin & Kahn, PLLC

(57) **CLAIM**

The ornamental design for a bumper of an automobile, as shown and described.

DESCRIPTION

FIG. 1 is a front view of a bumper of an automobile showing my new design;

FIG. 2 is a right side view thereof;

FIG. 3 is a left side view thereof;

FIG. 4 is a plan view thereof;

FIG. 5 is a front perspective view thereof; and,

FIG. 6 is a rear perspective view thereof.

The portions of the vehicle shown in broken lines are for illustrative purposes only and form no part of the claimed design.

1 Claim, 6 Drawing Sheets

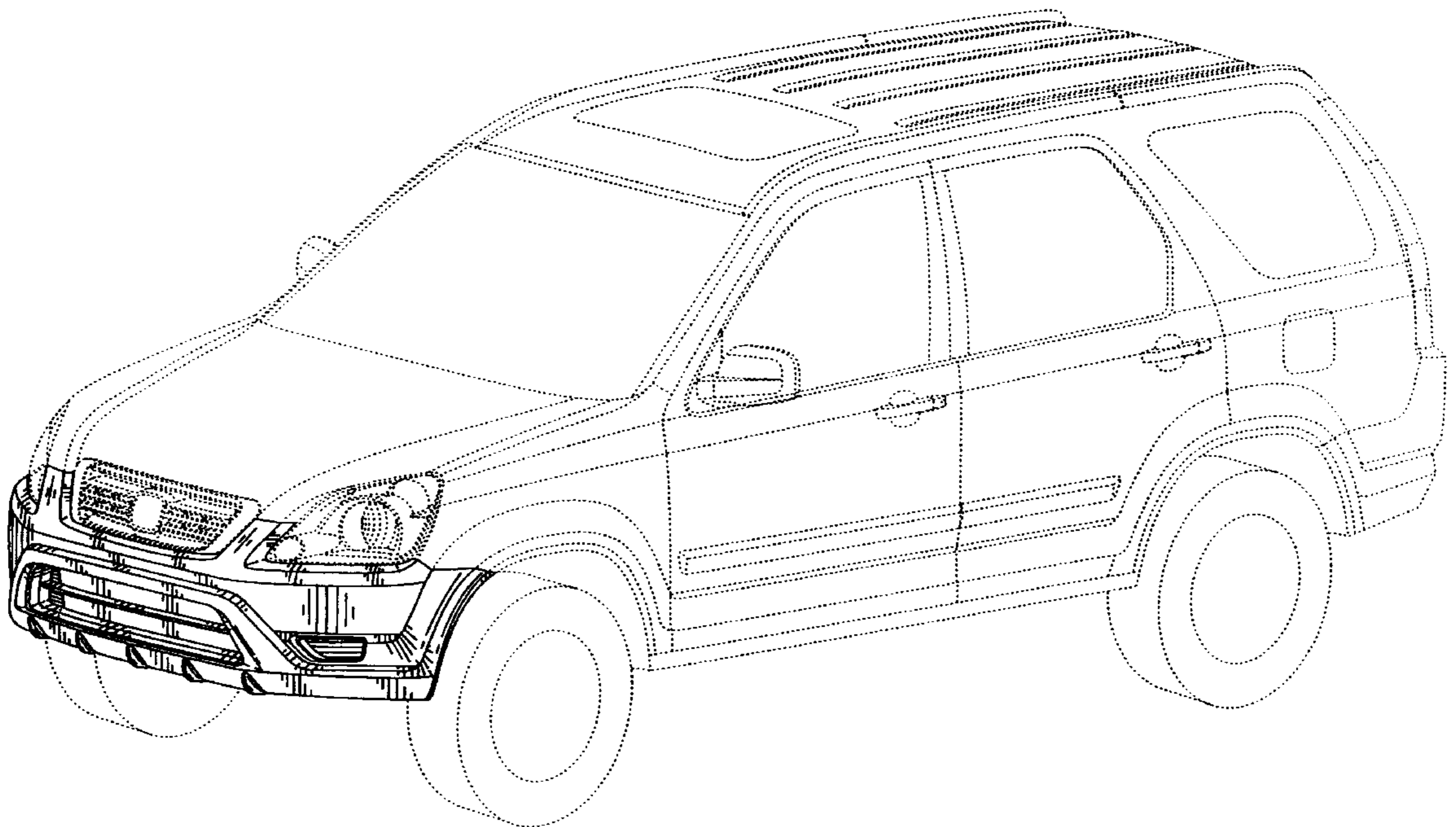


FIG. 1

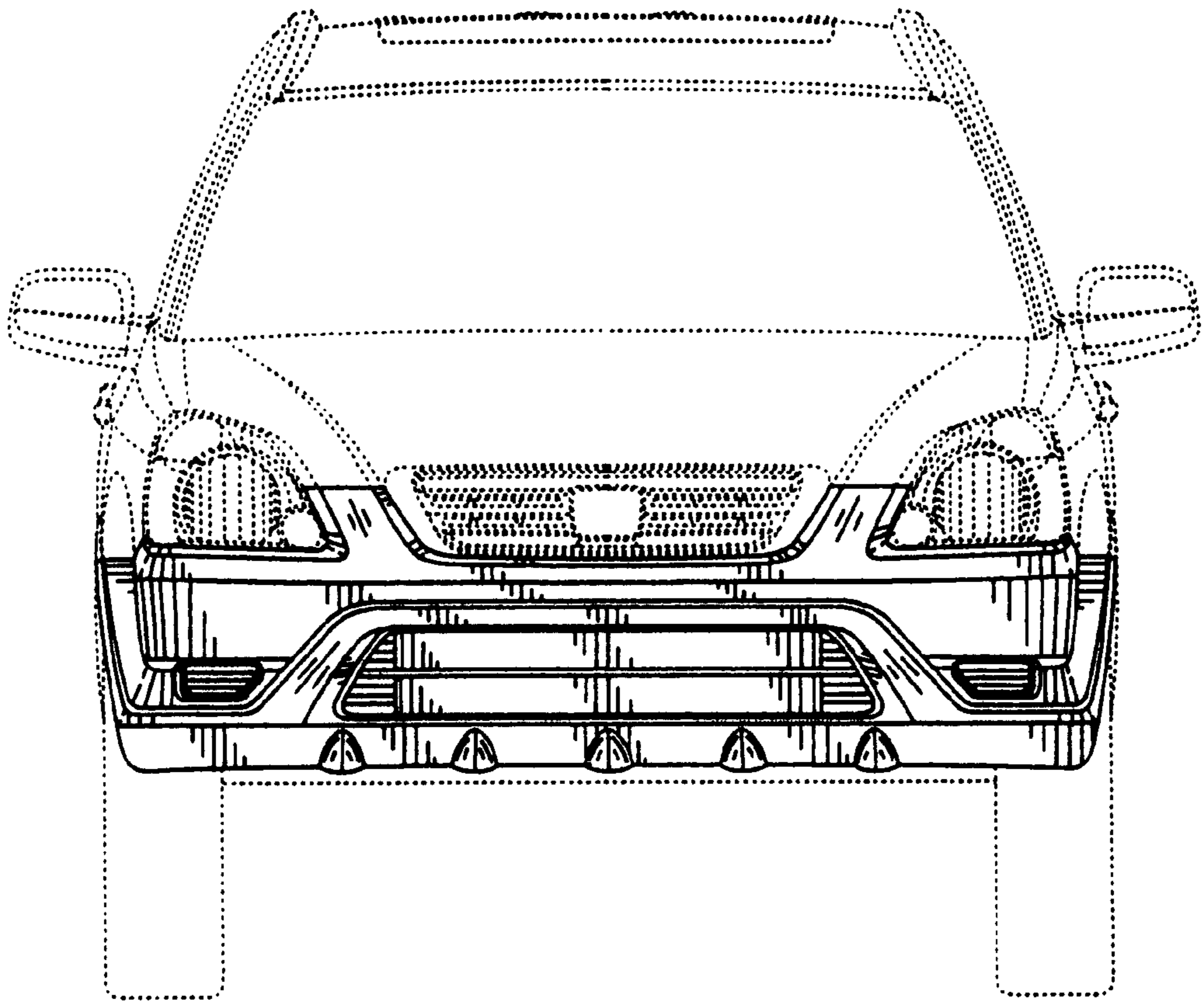


FIG. 2

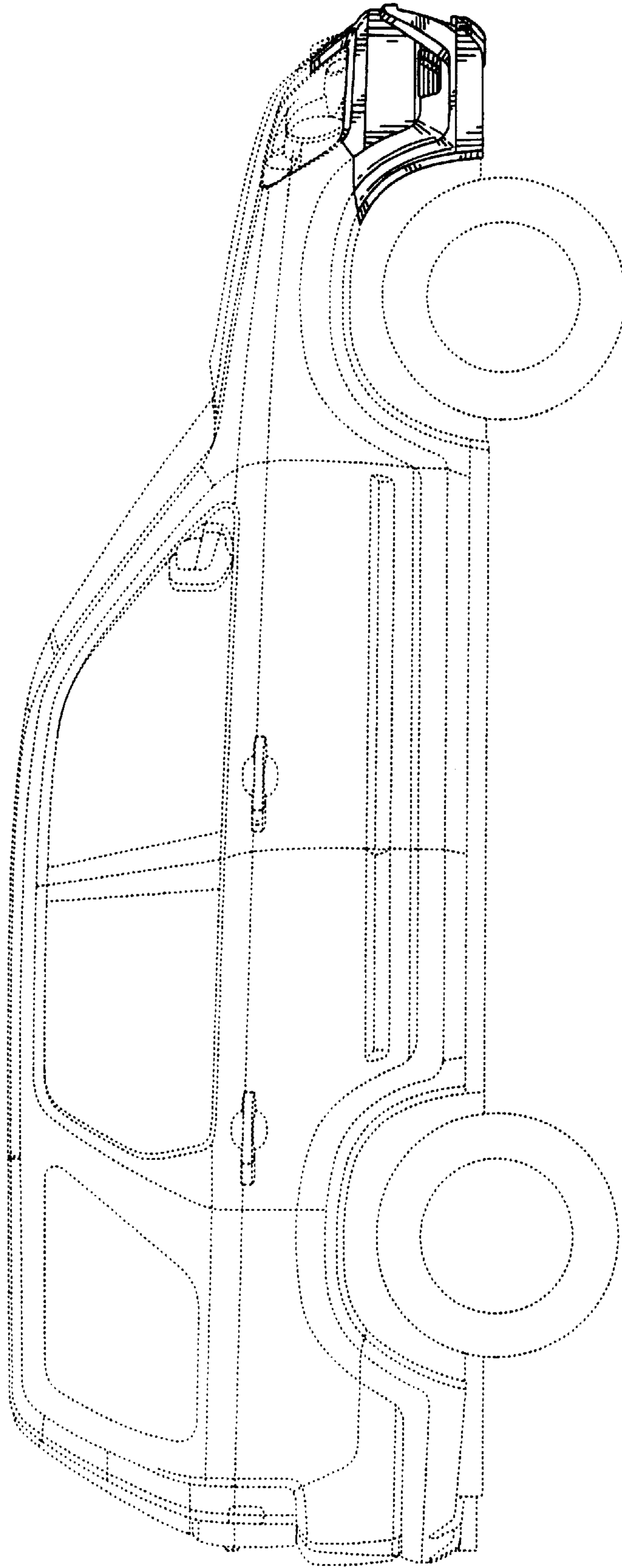


FIG.3

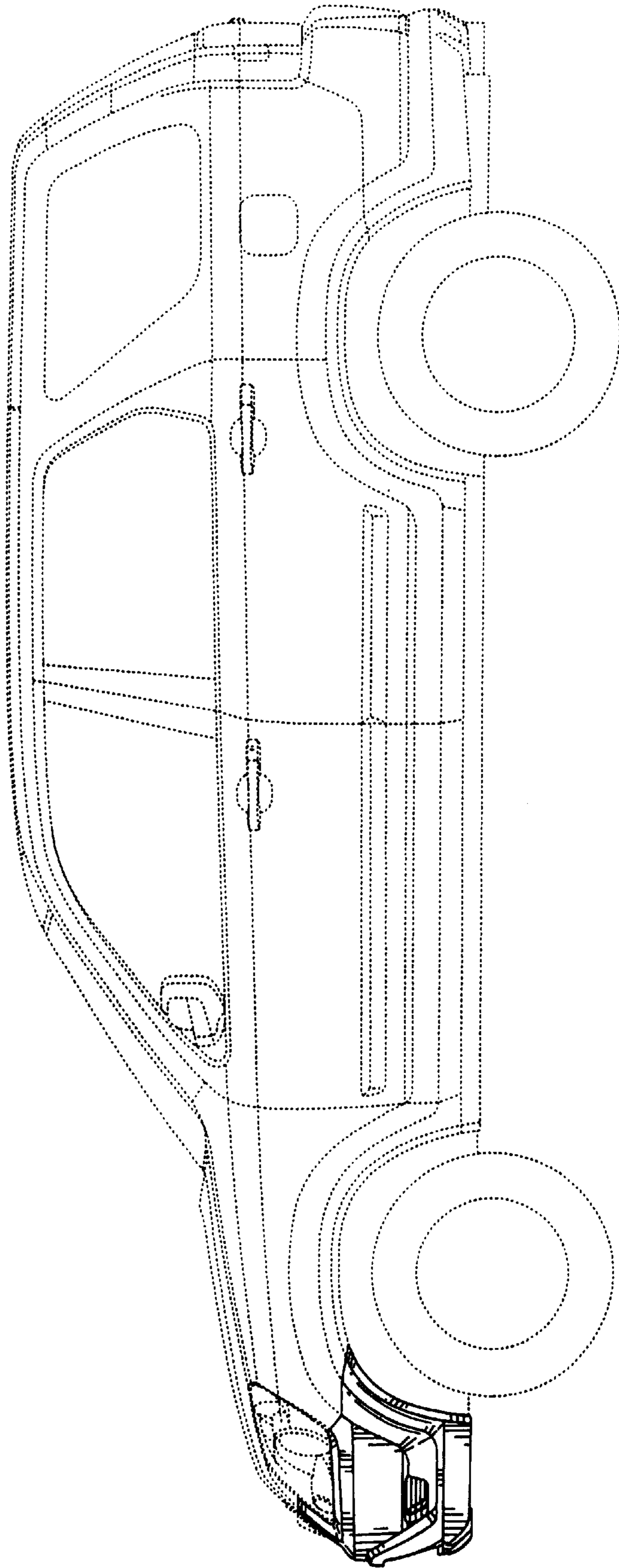


FIG.4

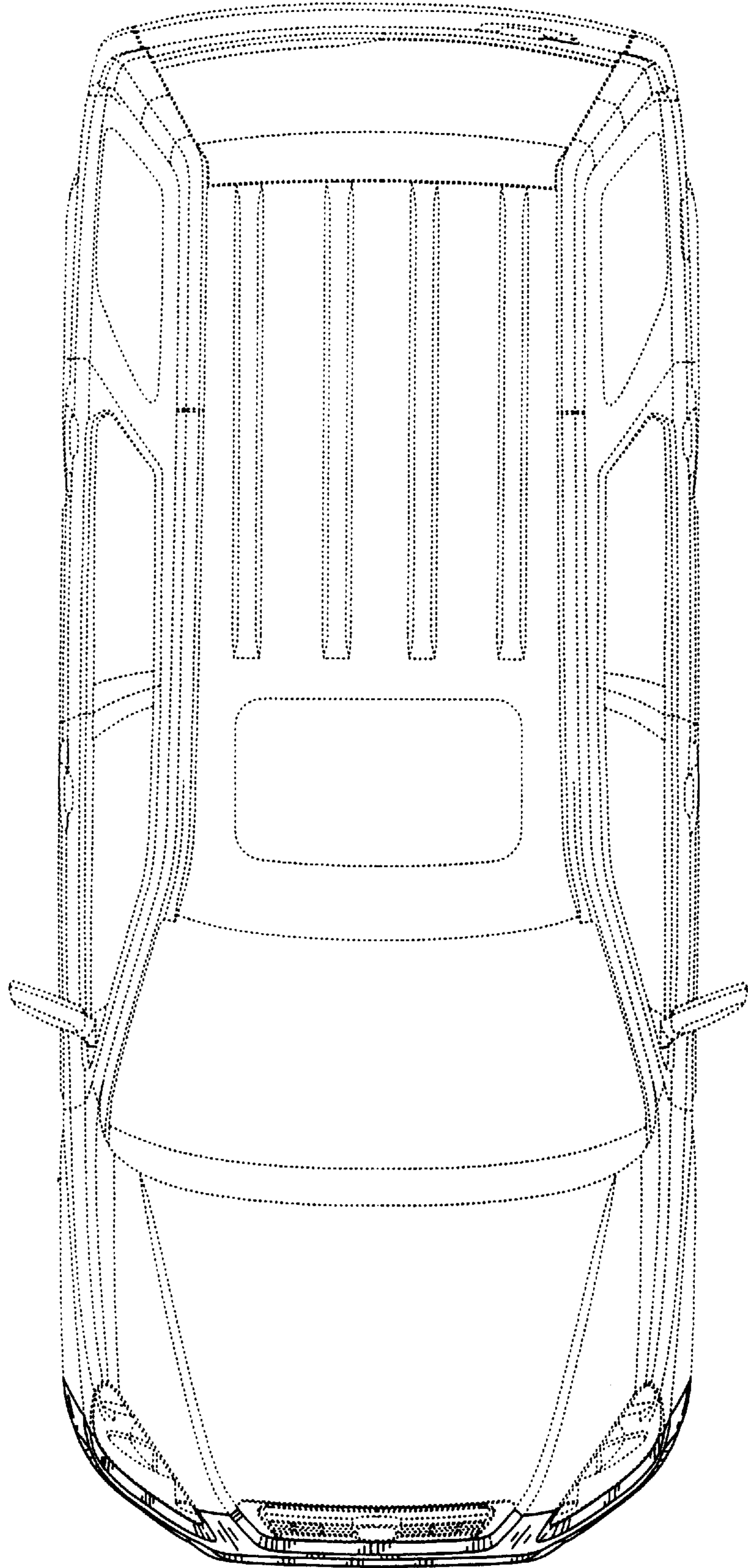


FIG.5

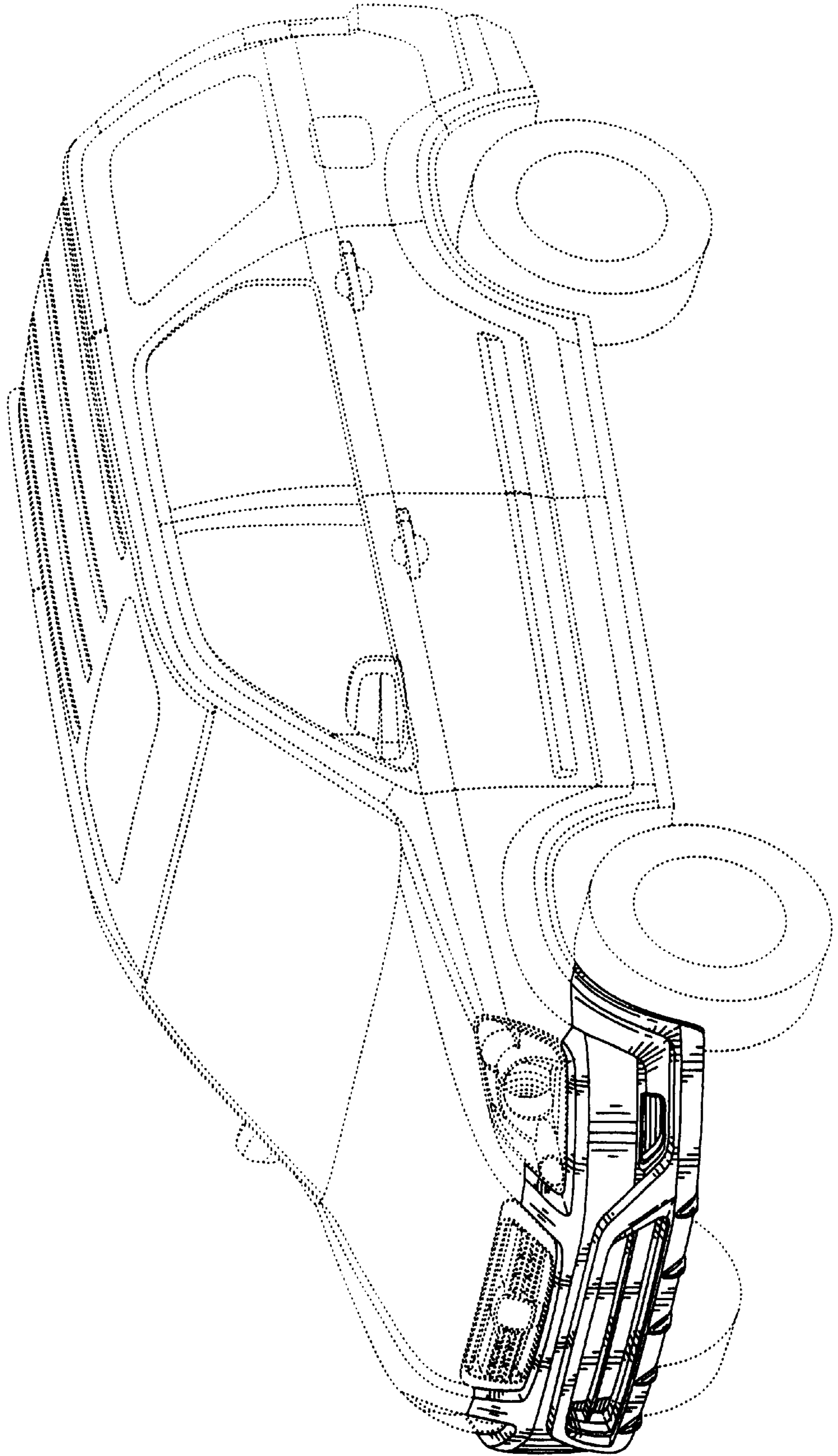


FIG.6

