



US00D455984S

(12) **United States Design Patent**  
**Boulay et al.**

(10) **Patent No.:** **US D455,984 S**  
(45) **Date of Patent:** **\*\* Apr. 23, 2002**

(54) **SURFACE CONFIGURATION OF A VEHICLE, TOY, AND MISCELLANEOUS CONSUMER PRODUCTS INCORPORATING THE DESIGN**

(75) Inventors: **Olivier Boulay**, Stuttgart; **Guenter Hoelzel**, Hochdorf, both of (DE)

(73) Assignee: **DaimlerChrysler AG**, Stuttgart (DE)

(\*\*) Term: **14 Years**

(21) Appl. No.: **29/144,747**

(22) Filed: **Jul. 11, 2001**

(30) **Foreign Application Priority Data**

Jan. 11, 2001 (DE) ..... 401 00 124

(51) **LOC (7) Cl.** ..... **12-16**

(52) **U.S. Cl.** ..... **D12/92**

(58) **Field of Search** ..... D12/90-92, 86,  
D12/88; 296/185

(56) **References Cited**

**U.S. PATENT DOCUMENTS**

D396,662 S	*	8/1998	Belker et al.	.....	D12/86
D419,489 S	*	1/2000	Sacco et al.	.....	D12/92
D423,989 S	*	5/2000	Lawson	.....	D12/92
D434,699 S	*	12/2000	Pfeiffer	.....	D12/92
D439,551 S	*	3/2001	Hatt et al.	.....	D12/86
D451,845 S	*	12/2001	Hall	.....	D12/92

\* cited by examiner

*Primary Examiner*—Melody N. Brown

(74) *Attorney, Agent, or Firm*—Crowell & Moring LLP

(57) **CLAIM**

The ornamental design for a surface configuration of a vehicle, toy, and miscellaneous consumer products incorporating the design, as shown and described.

**DESCRIPTION**

FIG. 1 is a left, front perspective view of a surface configu-

ration of a vehicle, toy, and miscellaneous consumer products incorporating the design according to our novel design;

FIG. 2 is a right, front perspective view of the surface configuration of a vehicle, toy, and miscellaneous consumer products incorporating the design according to our novel design;

FIG. 3 is a front view of the surface configuration of a vehicle, toy, and miscellaneous consumer products incorporating the design according to our novel design;

FIG. 4 is a left side view of the surface configuration of a vehicle, toy, and miscellaneous consumer products incorporating the design according to our novel design;

FIG. 5 is a right side view of the surface configuration of a vehicle, toy, and miscellaneous consumer products incorporating the design according to our novel design;

FIG. 6 is a left, rear perspective view of the surface configuration of a vehicle, toy, and miscellaneous consumer products incorporating the design according to our novel design;

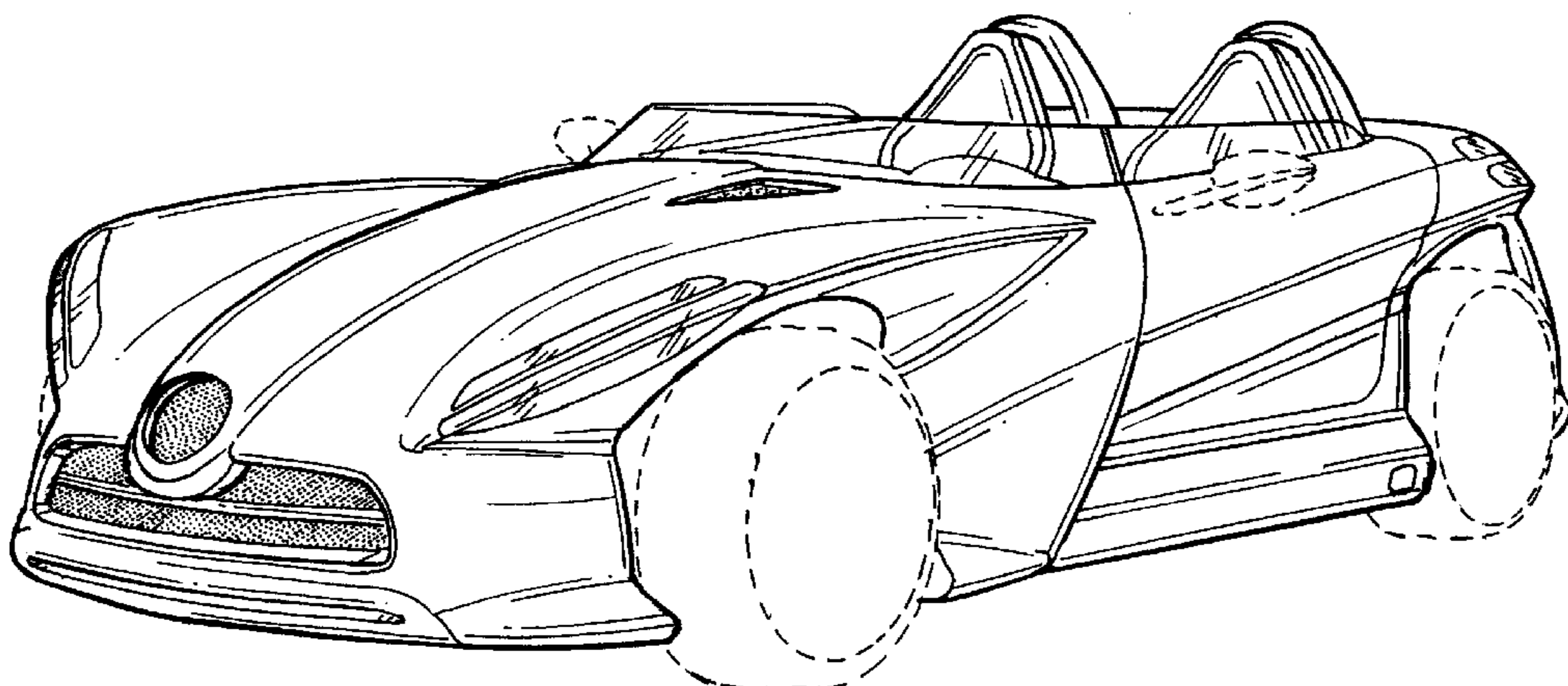
FIG. 7 is a right, rear perspective view of the surface configuration of a vehicle, toy, and miscellaneous consumer products incorporating the design according to our novel design;

FIG. 8 is a rear view of the surface configuration of a vehicle, toy, and miscellaneous consumer products incorporating the design according to our novel design; and,

FIG. 9 is a top view of the surface configuration of a vehicle, toy, and miscellaneous consumer products incorporating the design according to our novel design.

The broken lines included depict environment and are not part of the claimed design.

**1 Claim, 5 Drawing Sheets**



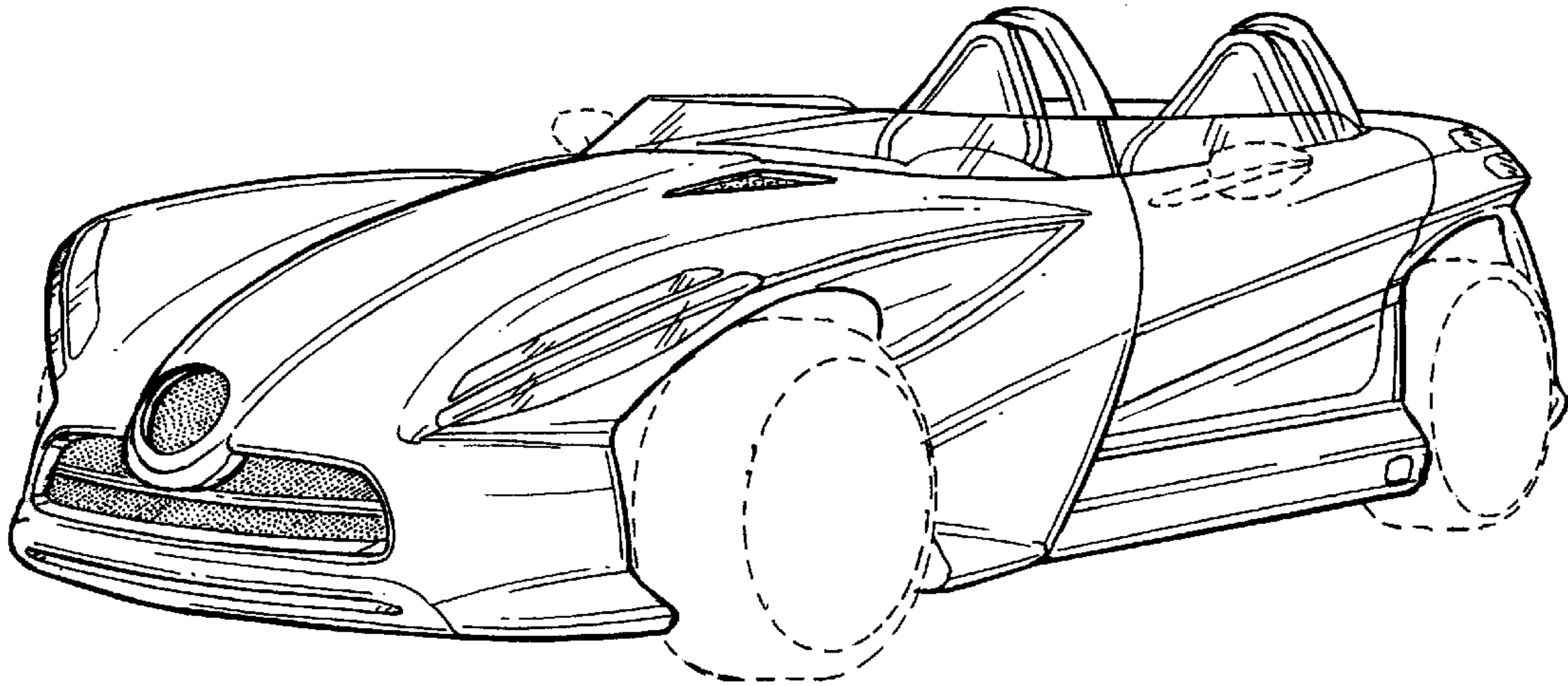


FIG. 1

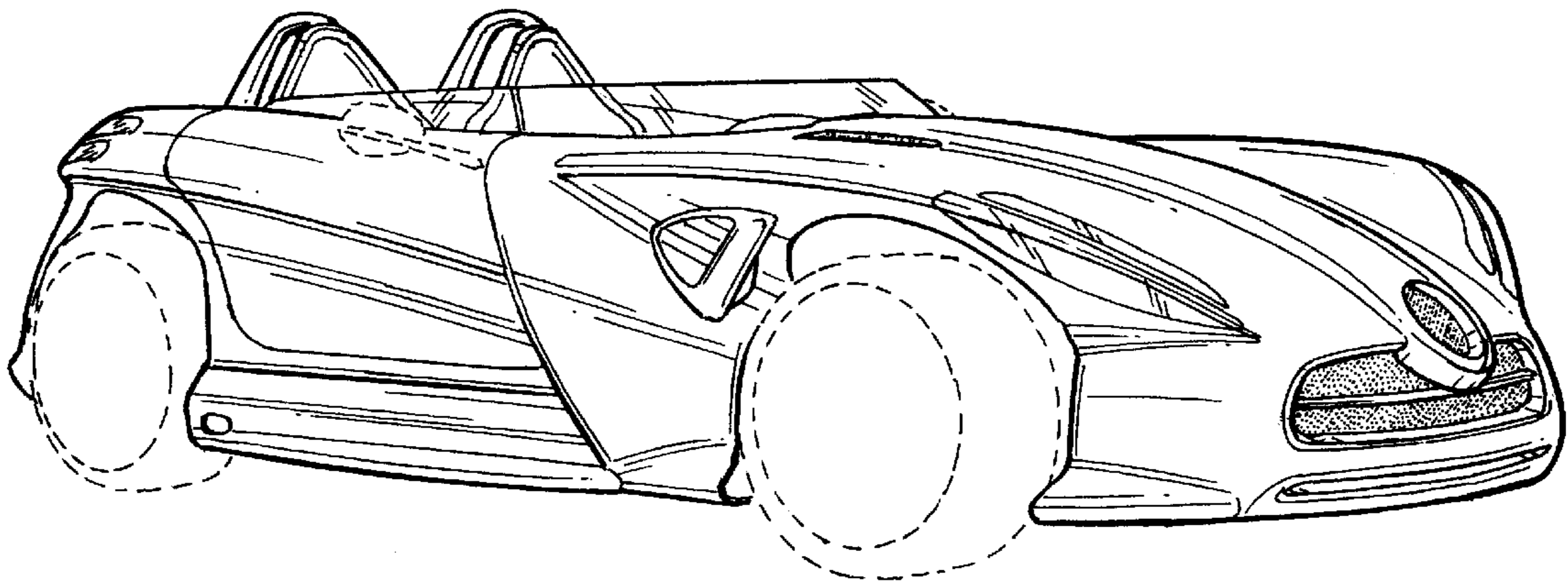


FIG. 2

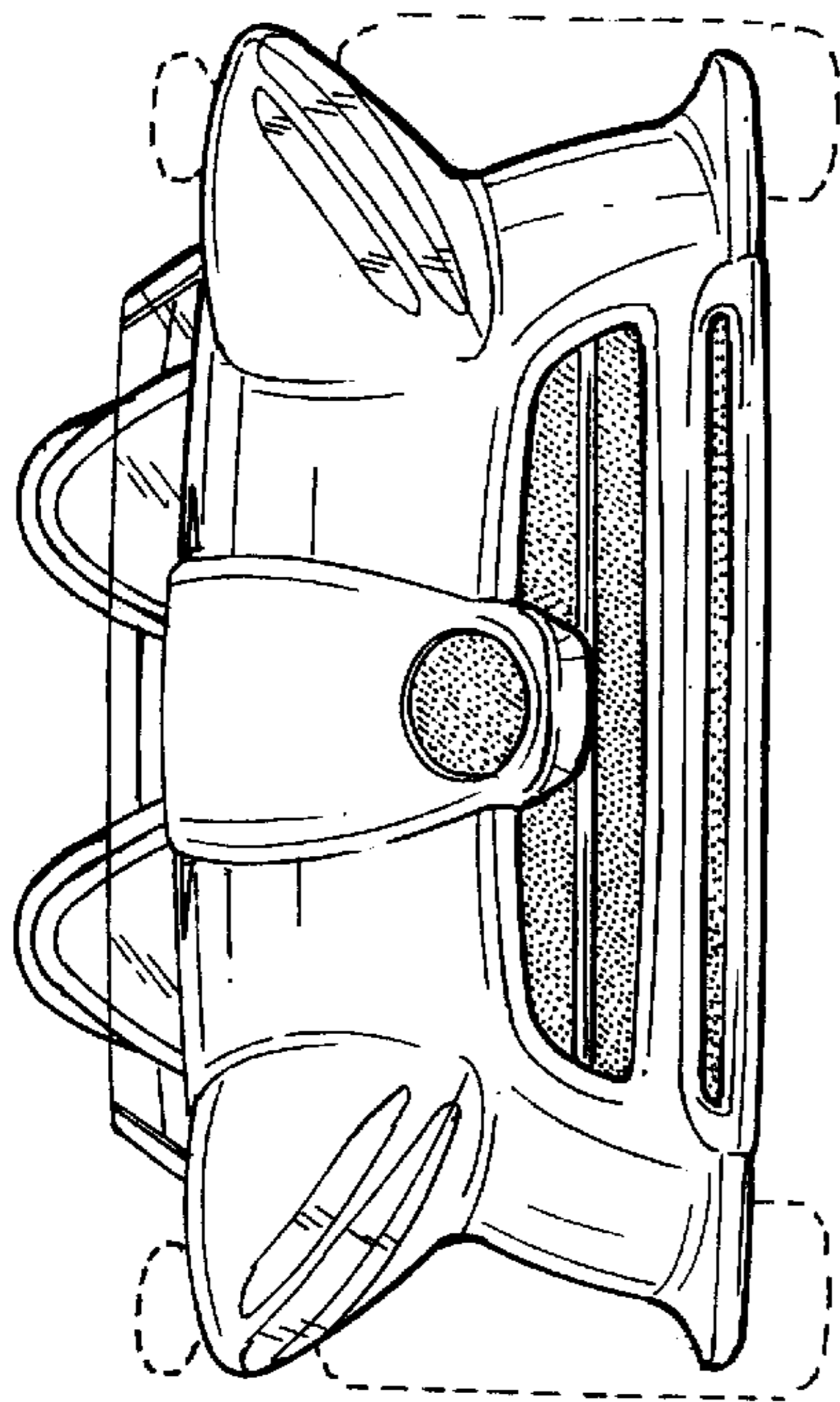


FIG. 3

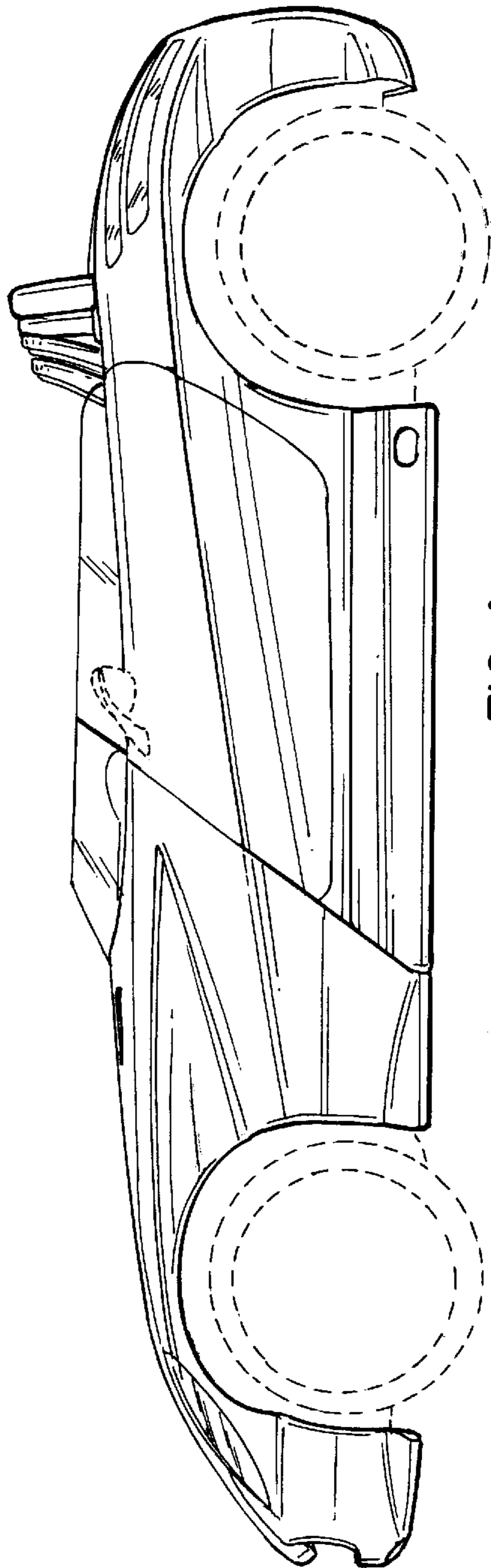


FIG. 4

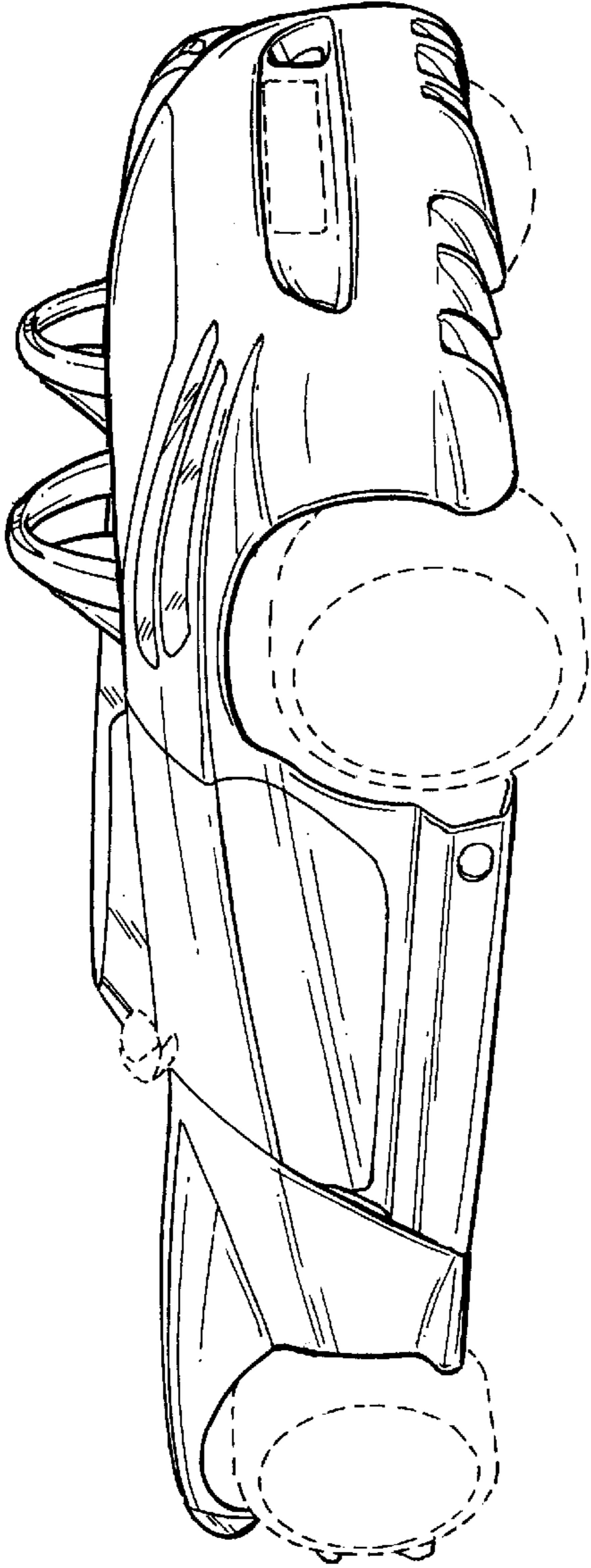


FIG. 6

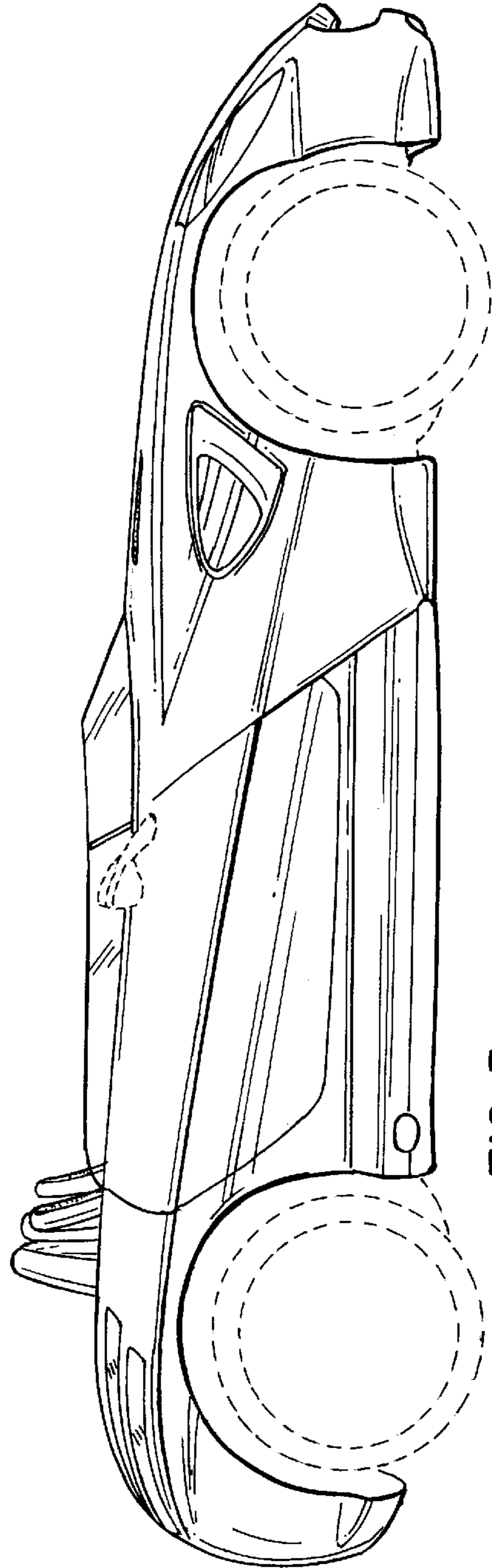


FIG. 5

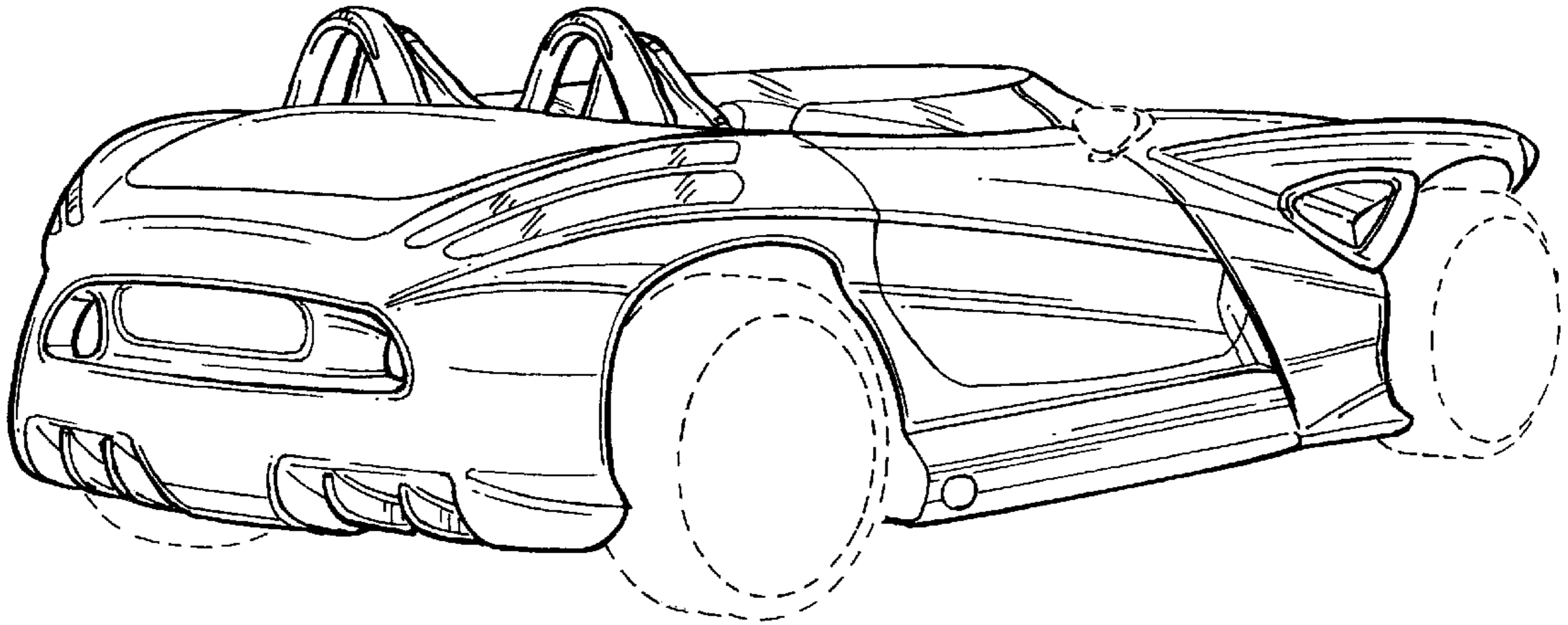


FIG. 7

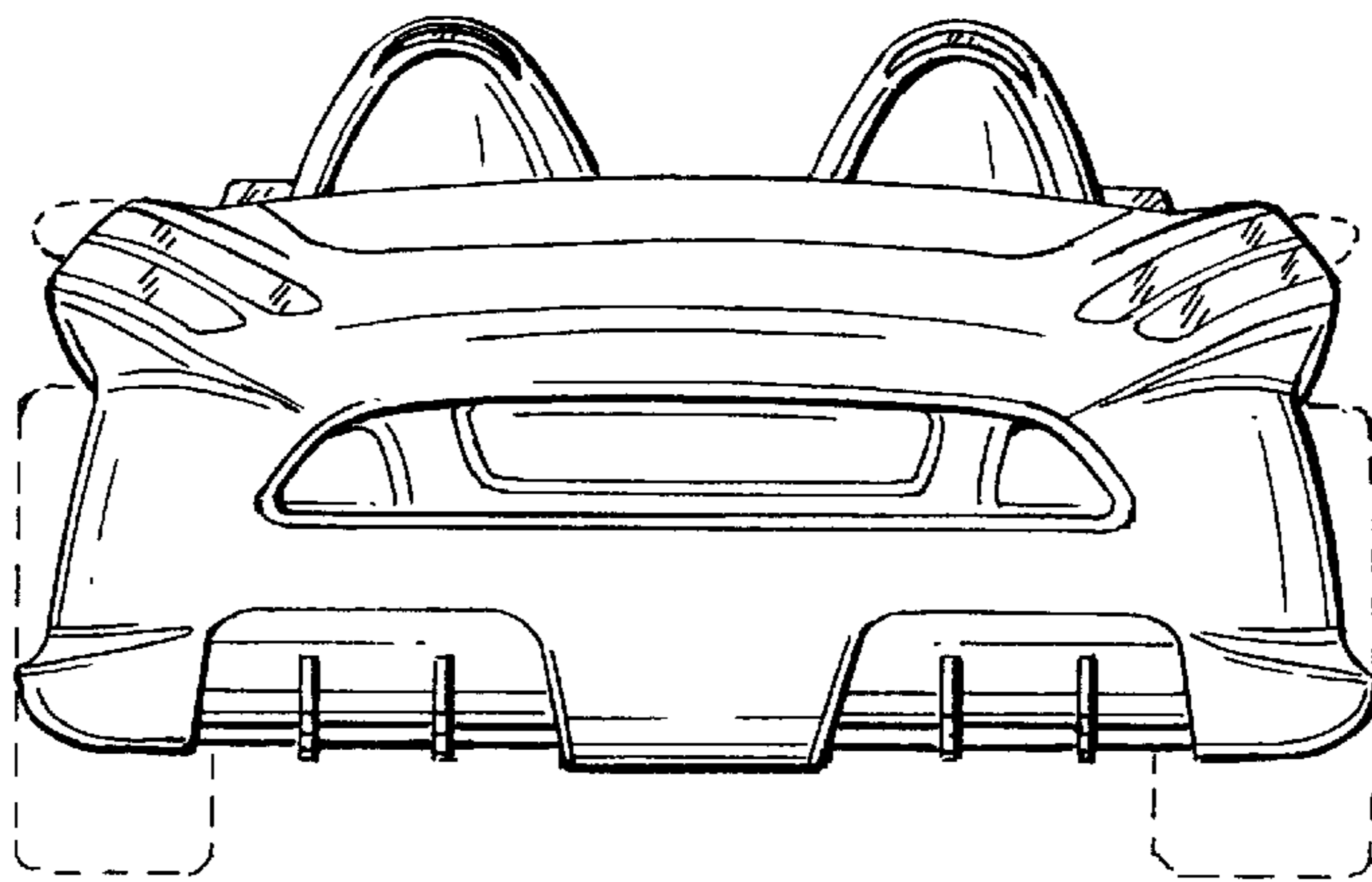


FIG. 8

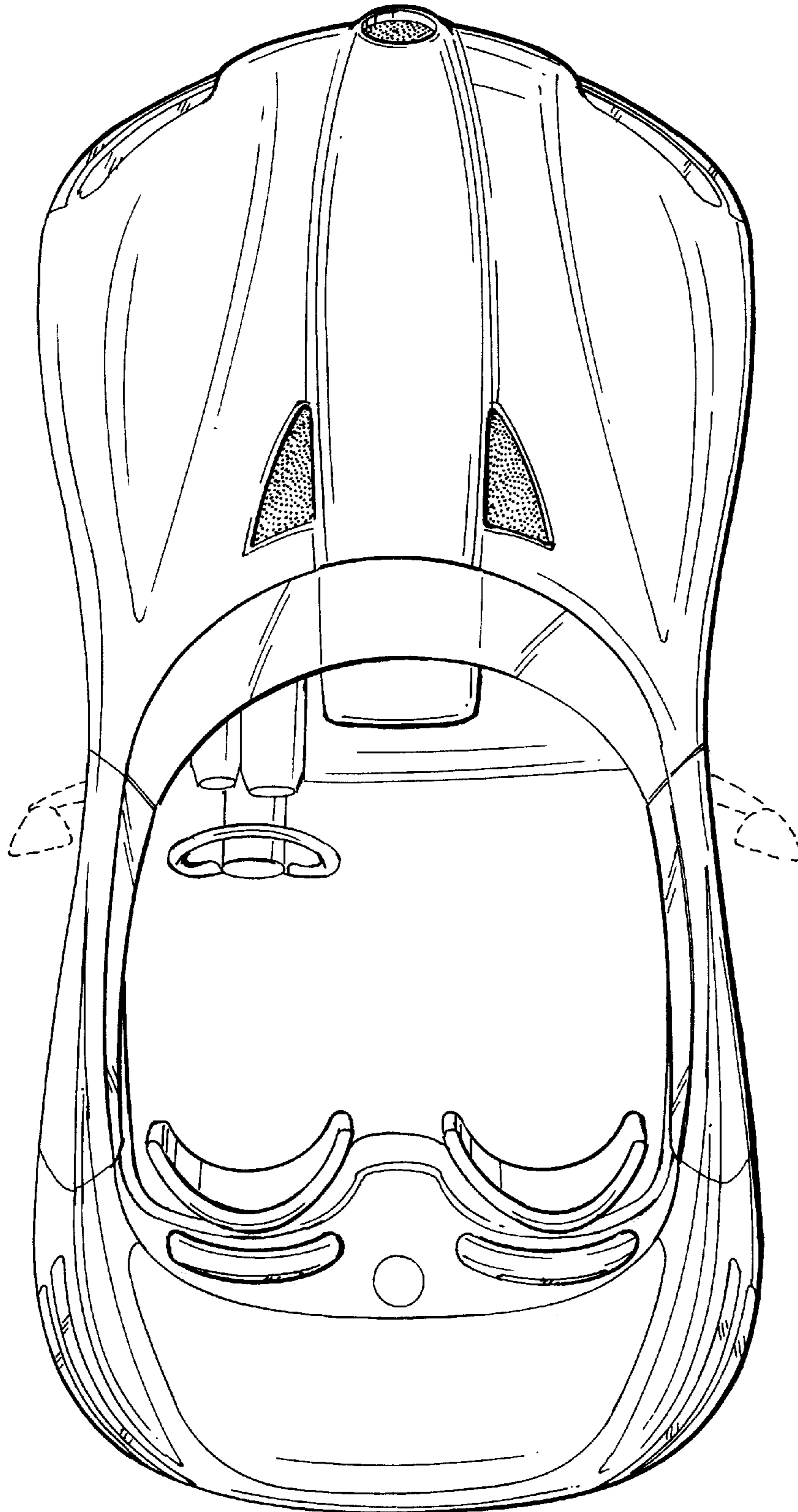


FIG. 9