



US00D455981S

(12) **United States Design Patent**
Browning

(10) **Patent No.:** **US D455,981 S**

(45) **Date of Patent:** **** Apr. 23, 2002**

(54) **MOTORIZED CART**

(76) **Inventor:** **Albert Browning**, 179 Highway 865,
Winnsboro, LA (US) 71295

(**) **Term:** **14 Years**

(21) **Appl. No.:** **29/144,982**

(22) **Filed:** **Jul. 13, 2001**

(51) **LOC (7) Cl.** **12-14**

(52) **U.S. Cl.** **D12/1**

(58) **Field of Search** D12/1, 15-16,
D12/14, 82, 85-87, 107; 280/DIG. 5; 296/183-186,
37.7, 1.1, 22, 179, 181; 180/908, 233, 311,
234; D34/34

(56) **References Cited**

U.S. PATENT DOCUMENTS

- D292,899 S * 11/1987 Samuelson et al. D12/16
- D337,747 S * 7/1993 Hinklin et al. D12/15
- D342,701 S * 12/1993 Murata et al. D12/1 X
- D343,596 S * 1/1994 Witt, Jr. et al. D12/1
- D421,411 S * 3/2000 Molzon et al. D12/1 X
- D422,938 S * 4/2000 Molzon et al. D12/1
- D427,109 S * 6/2000 Molzon et al. D12/1

- D436,557 S * 1/2001 Selby et al. D12/14
- D439,548 S * 3/2001 Kouchi et al. D12/1
- D439,549 S * 3/2001 Shambeau et al. D12/14
- D445,066 S * 7/2001 Hinklin et al. D12/1

* cited by examiner

Primary Examiner—Stacia Cadmus

(74) *Attorney, Agent, or Firm*—Roy, Kiesel, Keegan & DeNicola

(57) **CLAIM**

The ornamental design for a motorized cart, as shown and described.

DESCRIPTION

FIG. 1 is a side view of the motorized cart showing my new design.

FIG. 2 is a side view of the motorized cart opposite from FIG. 1;

FIG. 3 is a top view of the motorized cart;

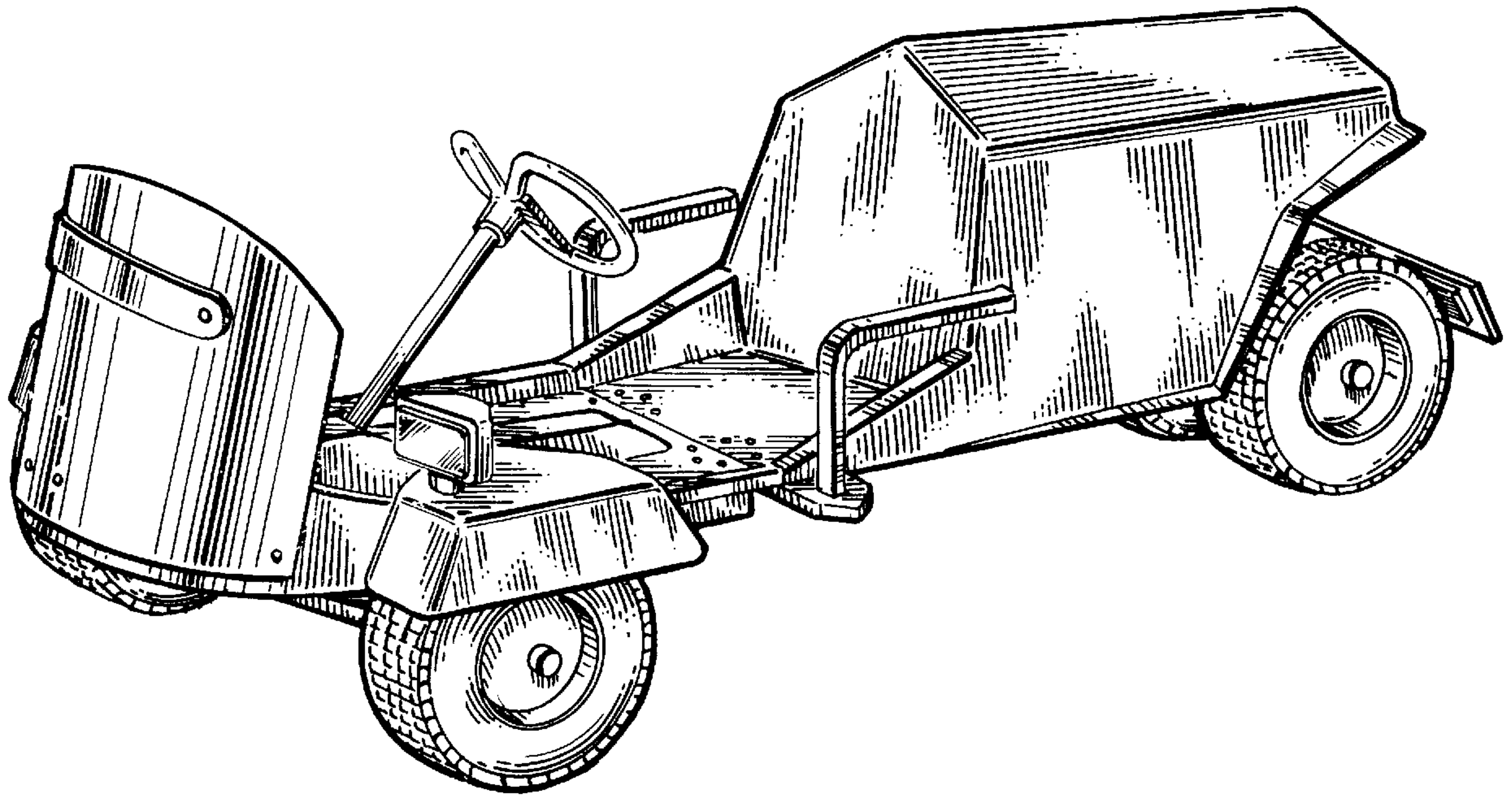
FIG. 4 is a bottom view of the motorized cart;

FIG. 5 is a front view of the motorized cart;

FIG. 6 is a rear view of the motorized cart; and,

FIG. 7 is a perspective view of the motorized cart.

1 Claim, 5 Drawing Sheets



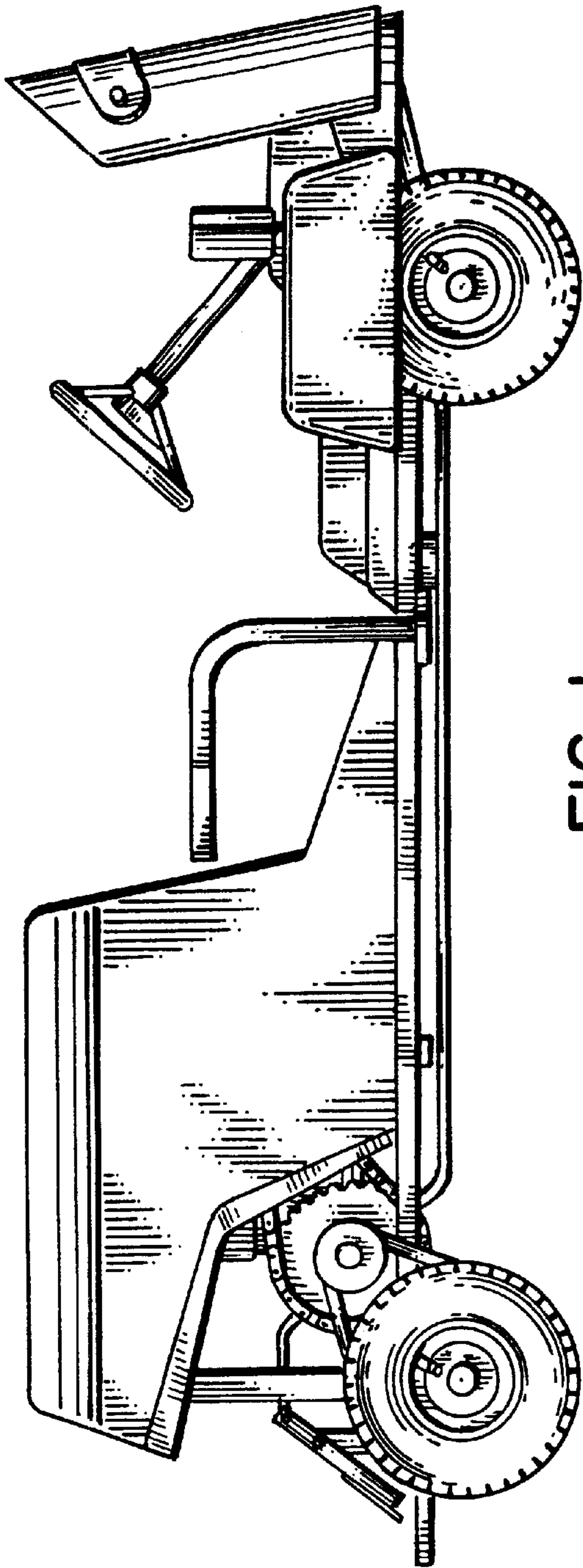


FIG. 1.

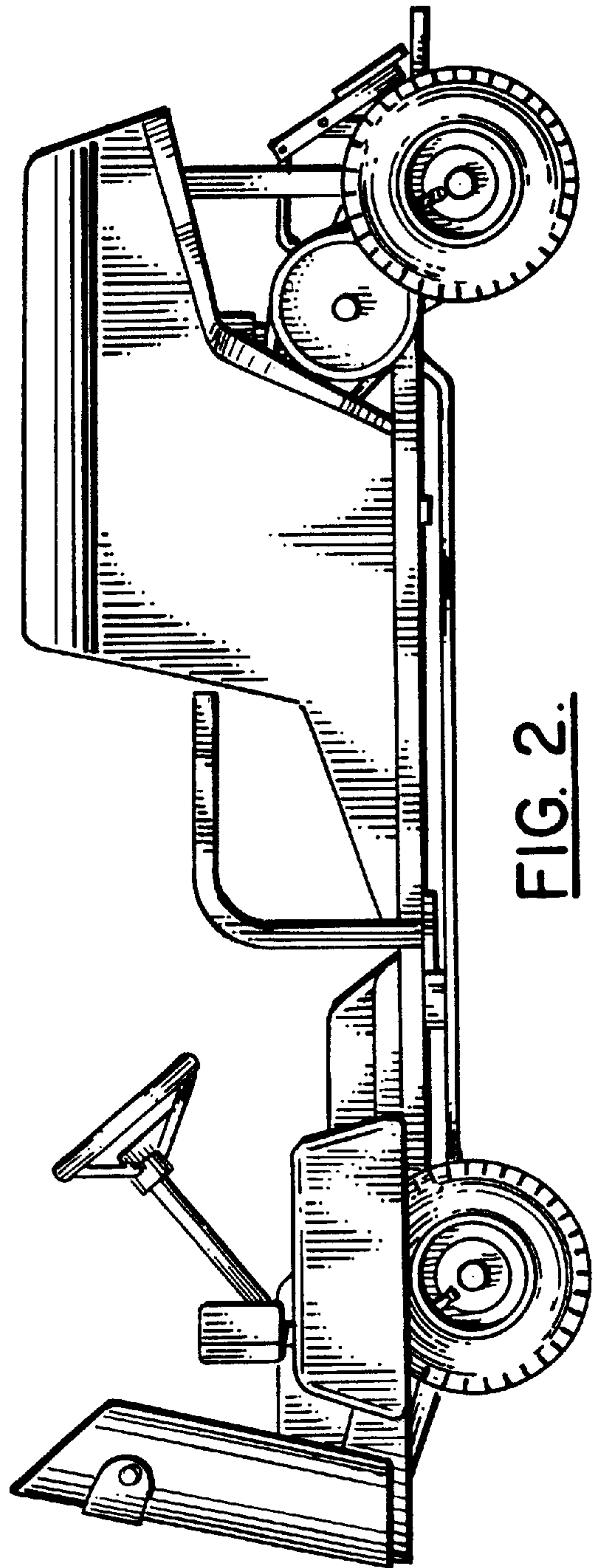


FIG. 2.

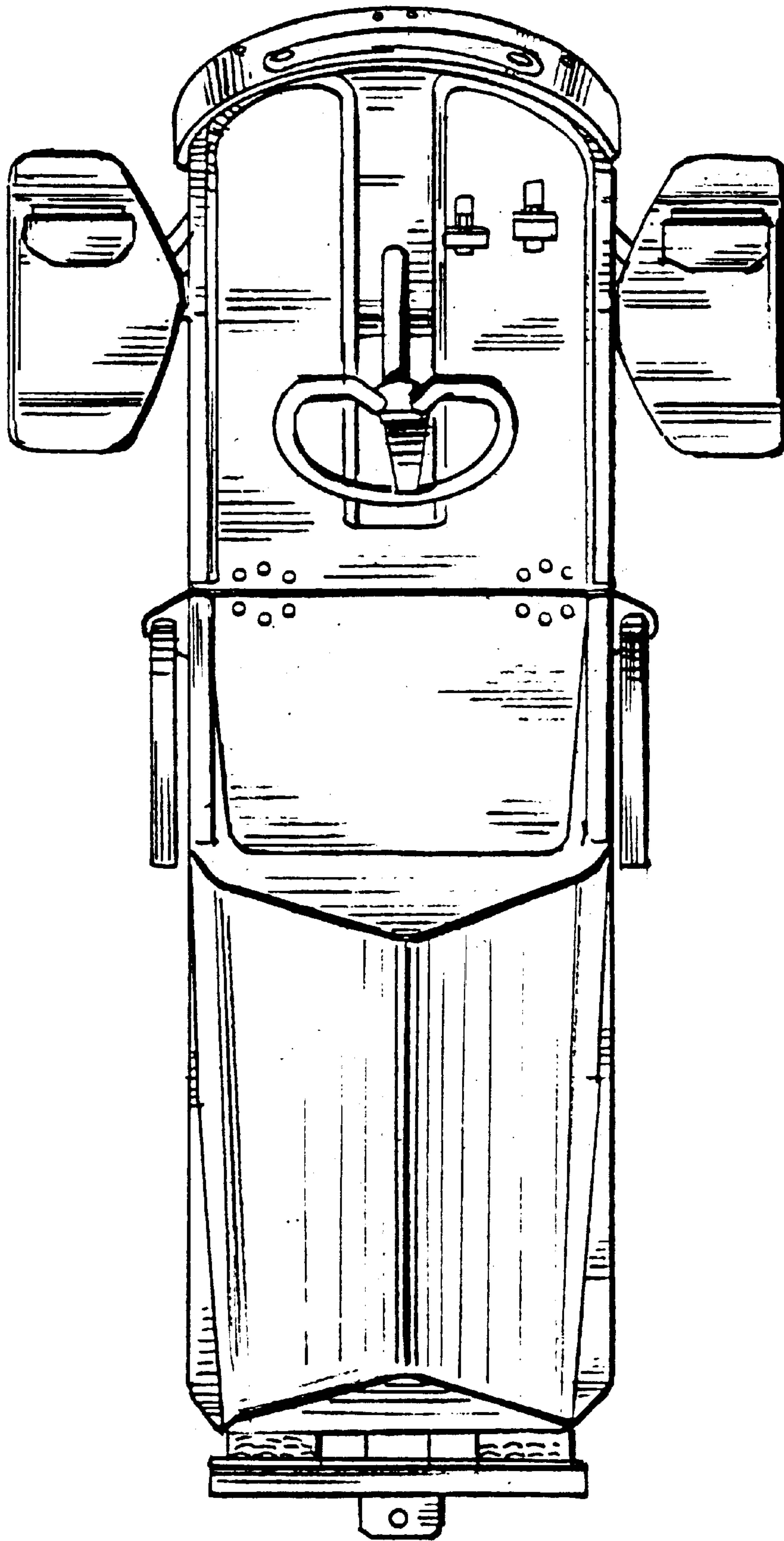


FIG. 3.

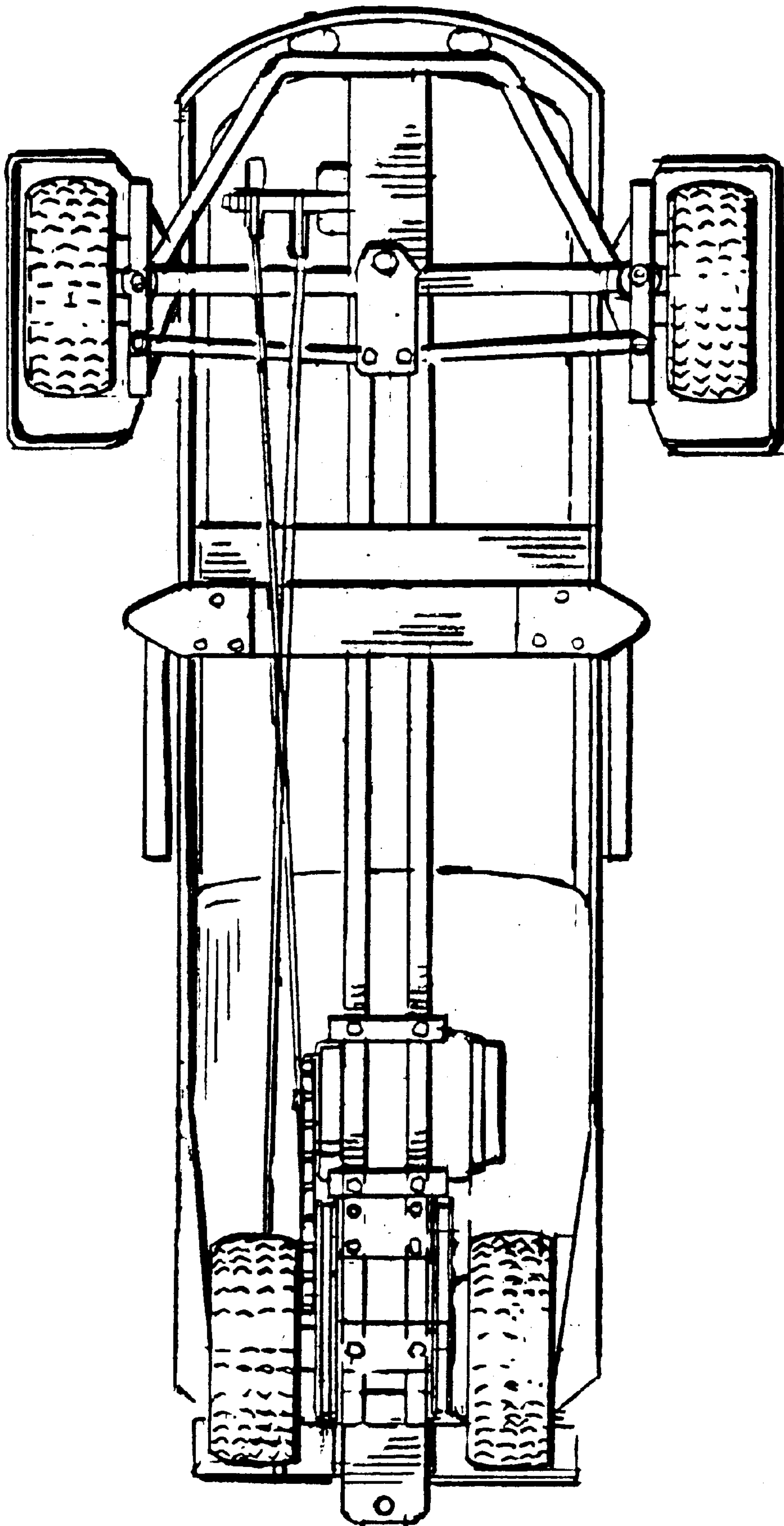


FIG. 4.

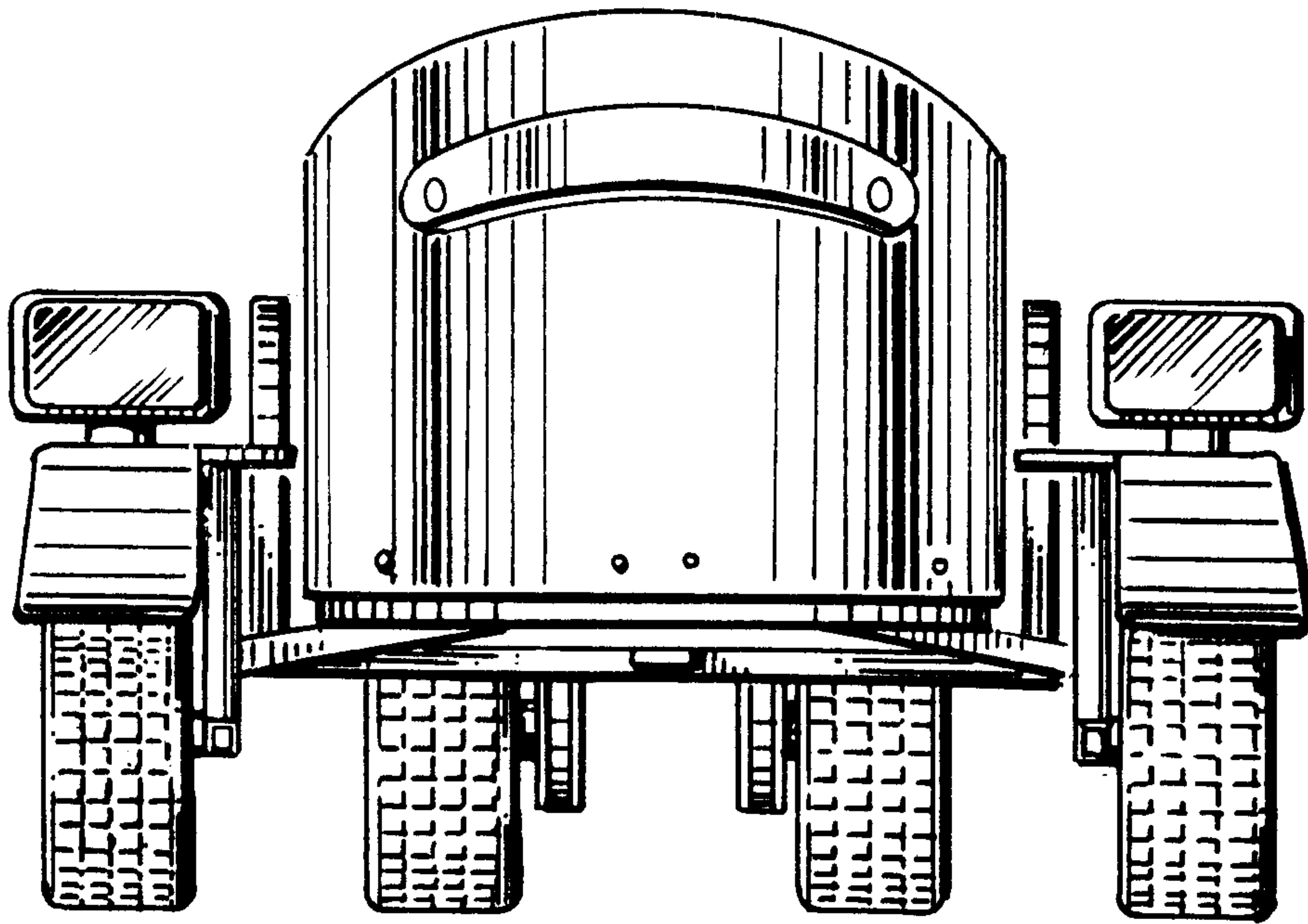


FIG. 5.

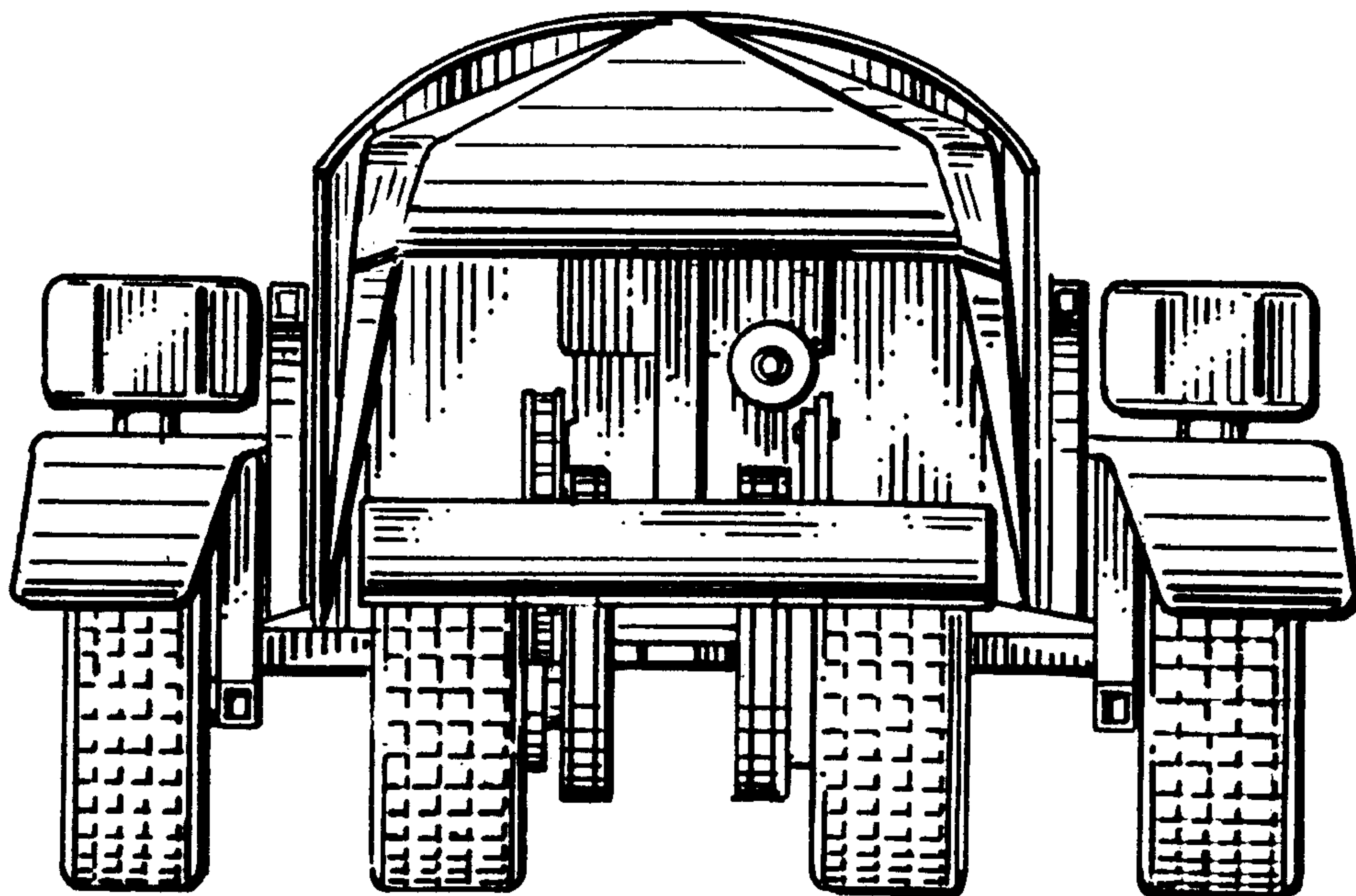


FIG. 6.

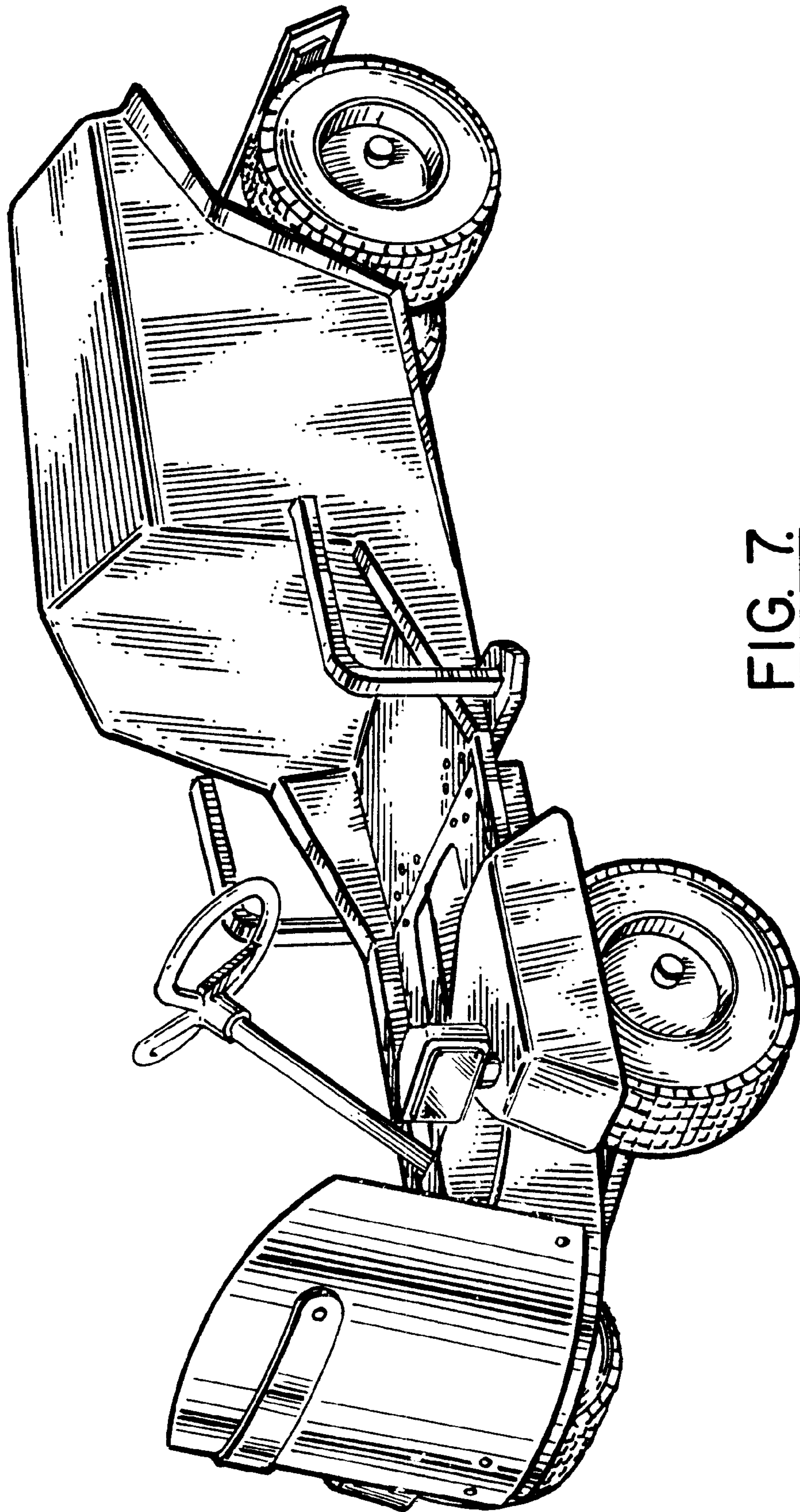


FIG. 7.