



US00D455980S

(12) **United States Design Patent**
Fildan et al.

(10) **Patent No.:** **US D455,980 S**

(45) **Date of Patent:** **** Apr. 23, 2002**

(54) **REVERSIBLE CLOSURE FOR SWIMSUITS,
LINGERIE AND THE LIKE**

D385,509 S * 10/1997 Fildan D11/218
5,816,889 A * 10/1998 Fildan 450/45
D403,618 S * 1/1999 Fildan D11/210

(75) Inventors: **Gerhard Fildan**, Vienna; **Karl
Wanzenböck**, Leobersdorf, both of
(AT)

* cited by examiner

Primary Examiner—Ralf Seifert

(74) *Attorney, Agent, or Firm*—Herbert Dubno

(73) Assignee: **Fildan Accessories Corporation**,
Humble, TX (US)

(57) **CLAIM**

(**) Term: **14 Years**

The ornamental design for a reversible closure for swim-
suits, lingerie and the like, as shown.

(21) Appl. No.: **29/142,936**

DESCRIPTION

(22) Filed: **Jun. 5, 2001**

(51) **LOC (7) Cl.** **02-07**

(52) **U.S. Cl.** **D11/200**

(58) **Field of Search** D11/200–220,
D11/231; 24/196, 616, 625, 650, 114.6;
450/45

FIG. 1 is a front elevational view of a reversible closure for
swimsuits, lingerie and the like showing my new design;
FIG. 2 is a rear elevational view thereof;
FIG. 3 is a right-side elevational view thereof;
FIG. 4 is a left-side elevational view thereof;
FIG. 5 is a top plan view thereof;
FIG. 6 is a bottom plan view thereof;
FIG. 7 is an assembly view thereof with the parts separated;
FIG. 8 is a bottom plan view of the separated parts;
FIG. 9 is a right-side elevational view of the separated parts;
FIG. 10 is a left-side elevational view of the separated parts;
FIG. 11 is a rear view of the separated parts;
FIG. 12 is a top plan view of the separated parts; and,
FIG. 13 is a cross sectional view taken long the lines 13—13
of FIG. 1.

(56) **References Cited**

U.S. PATENT DOCUMENTS

D49,997 S * 12/1916 Lee D11/215
D109,332 S * 4/1938 Mix D11/231
D115,719 S * 6/1939 Miller et al. D11/200
D116,276 S * 8/1939 Baer D11/218
D337,745 S * 7/1993 Fildan D11/200
D352,681 S * 11/1994 Fildan D11/218
D356,525 S * 3/1995 Fildan D11/218

1 Claim, 5 Drawing Sheets

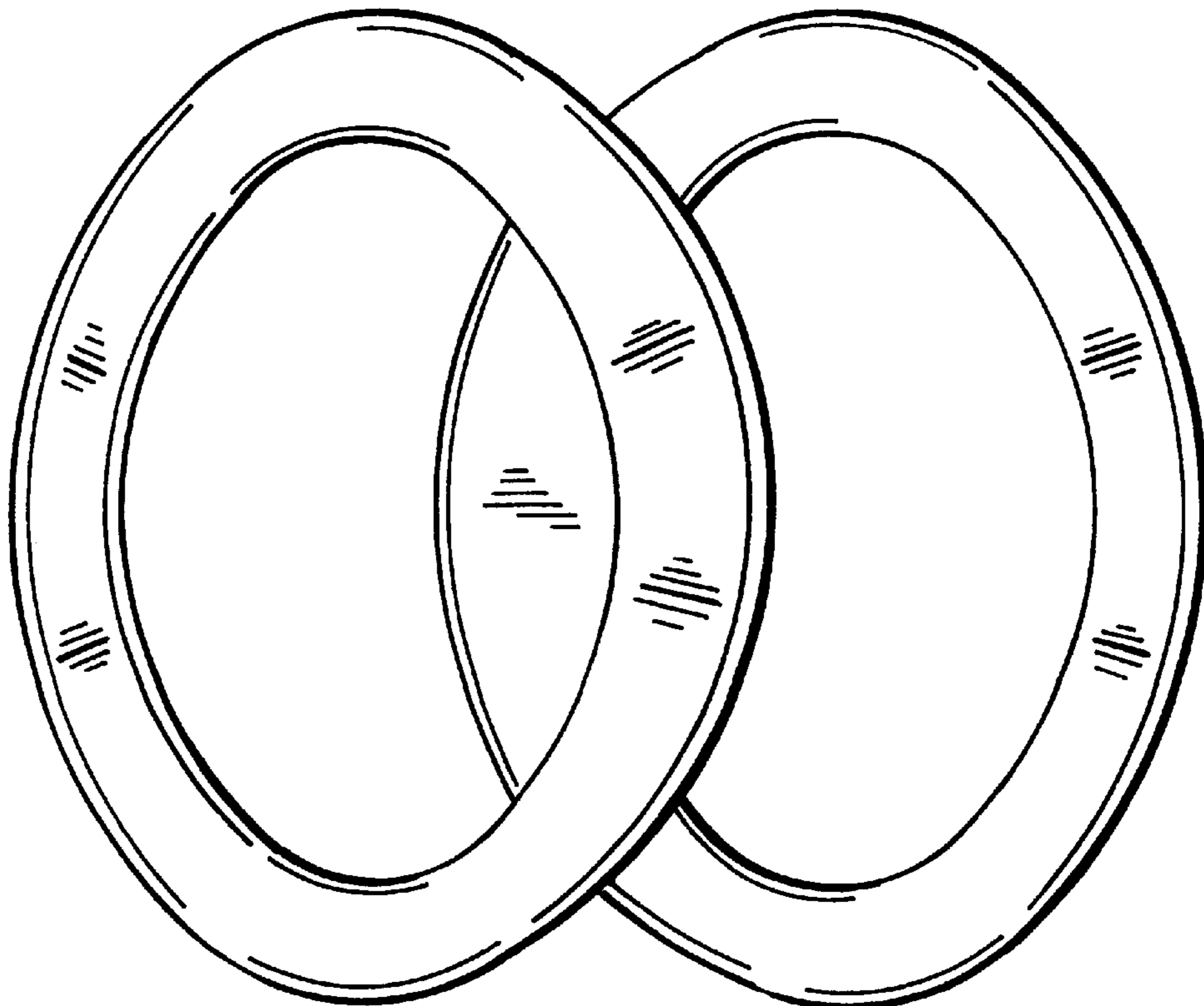


FIG. 5

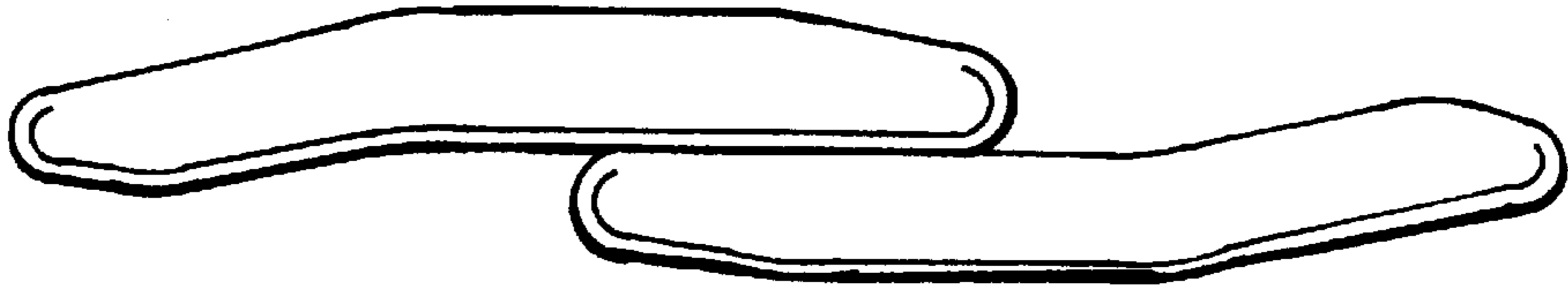


FIG. 1

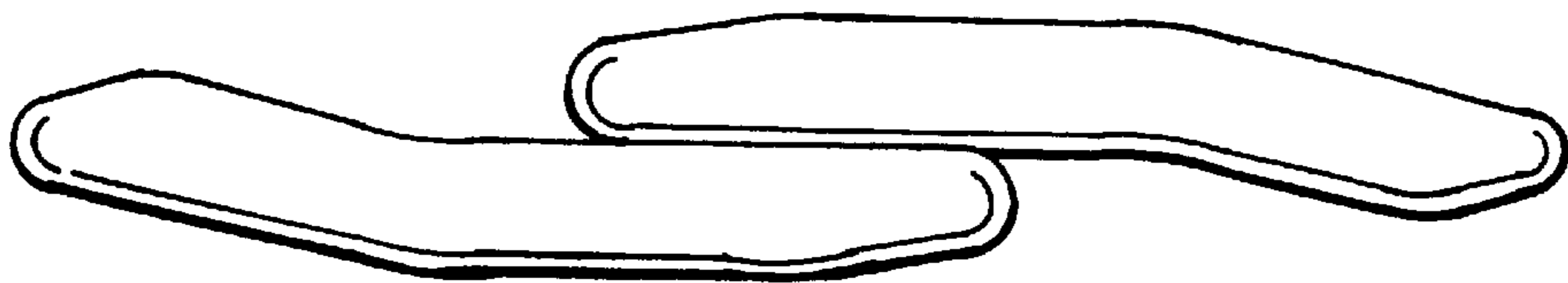
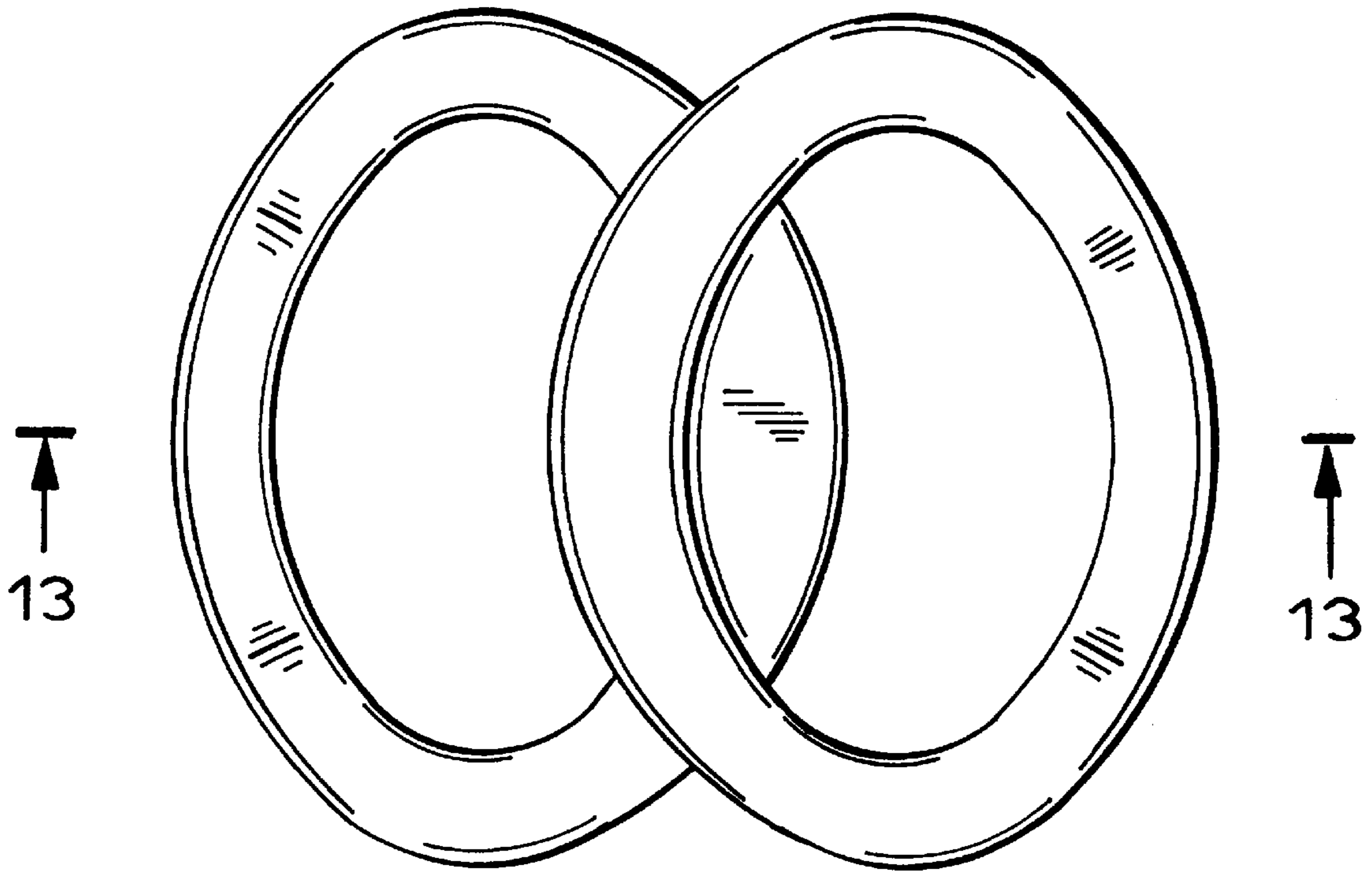


FIG. 6

FIG. 3

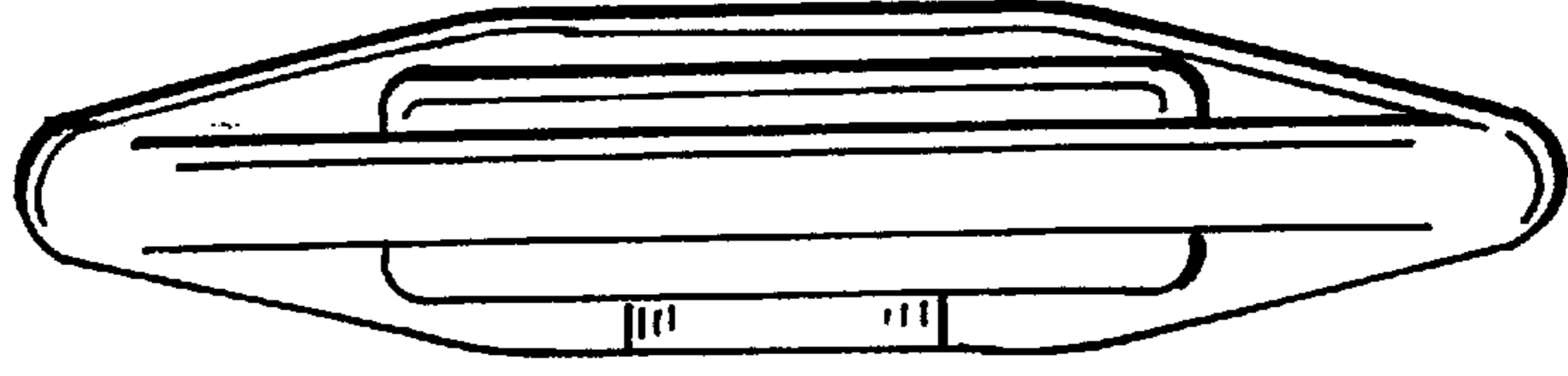


FIG. 2

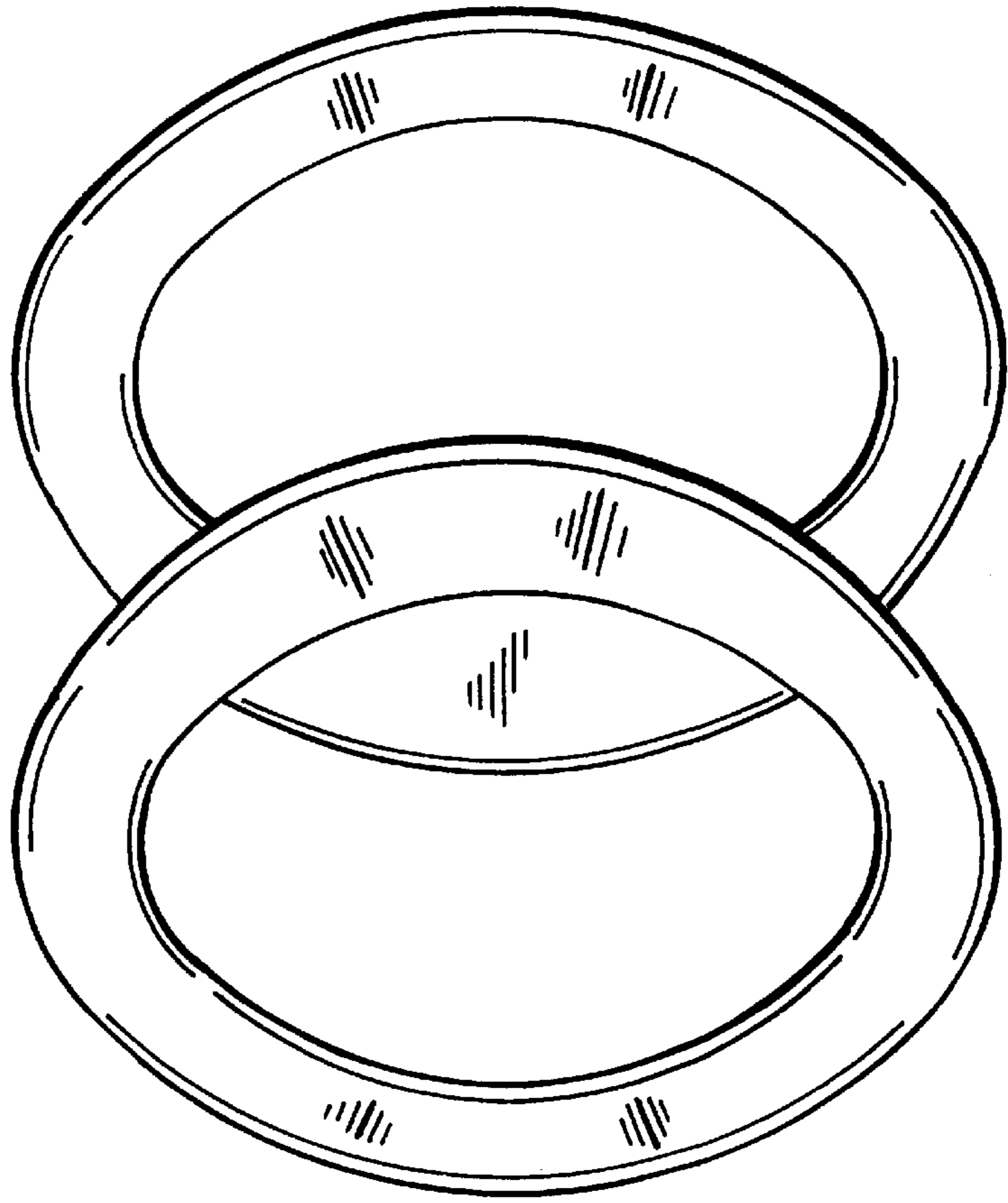


FIG. 4



FIG. 9

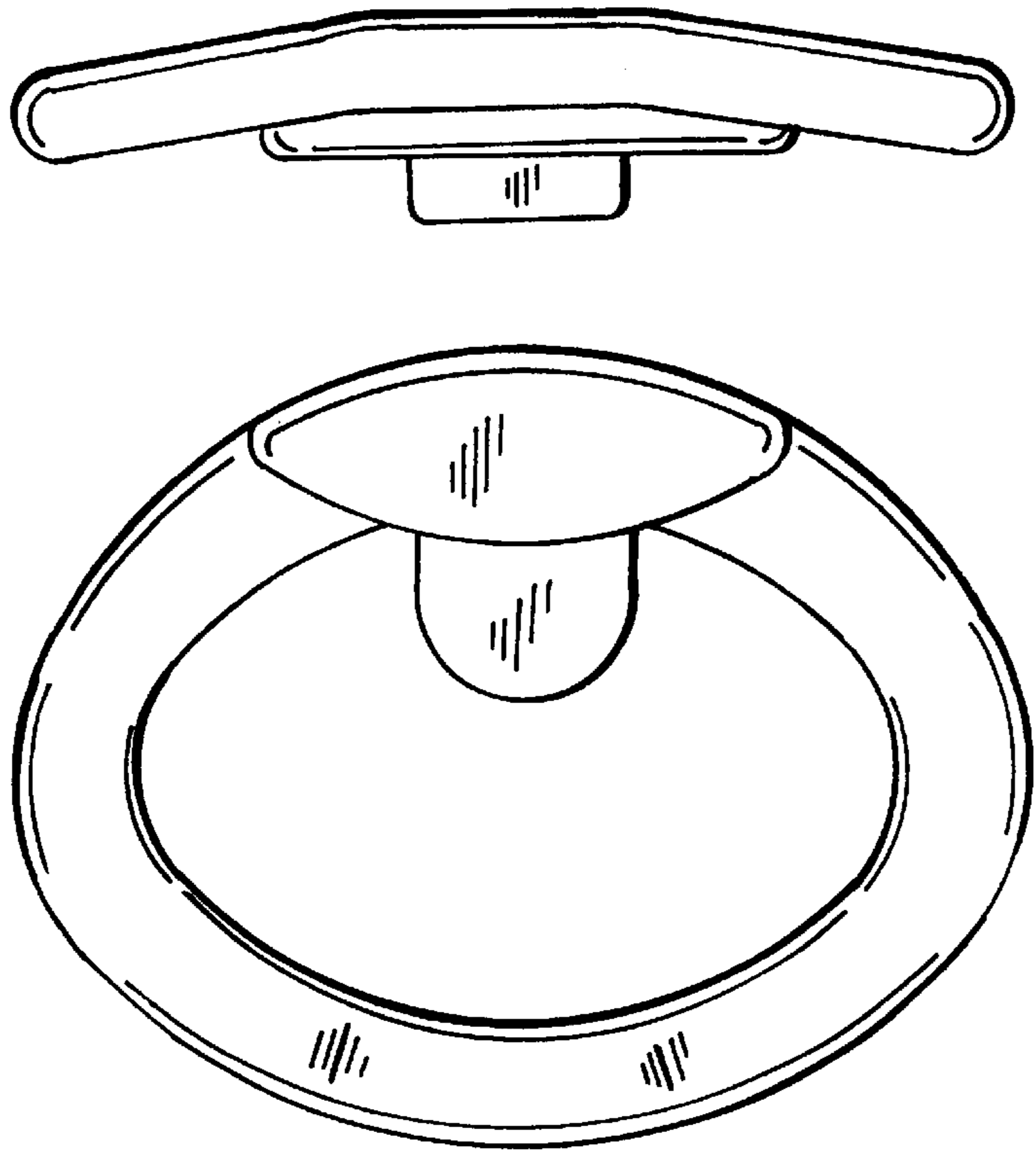


FIG. 7

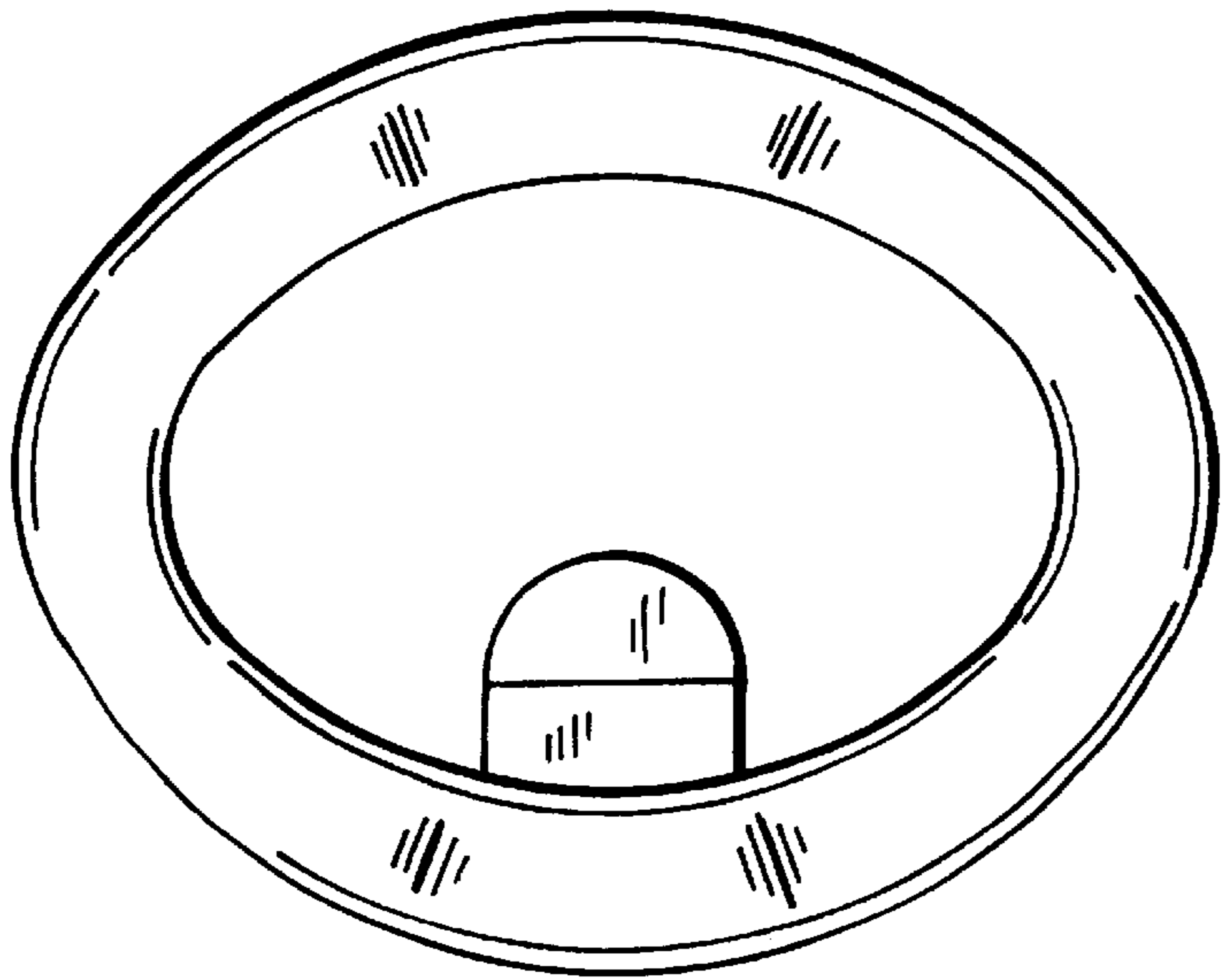


FIG. 10

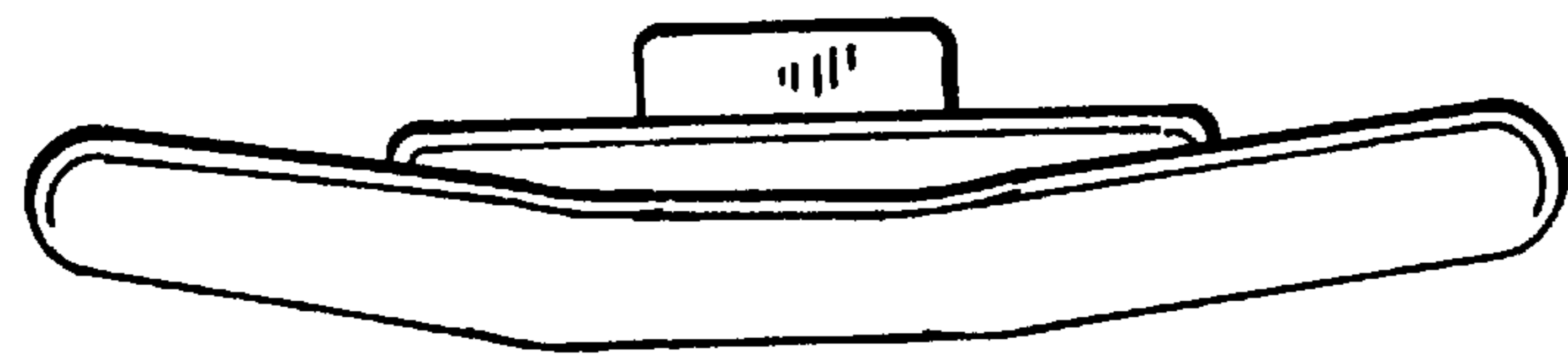
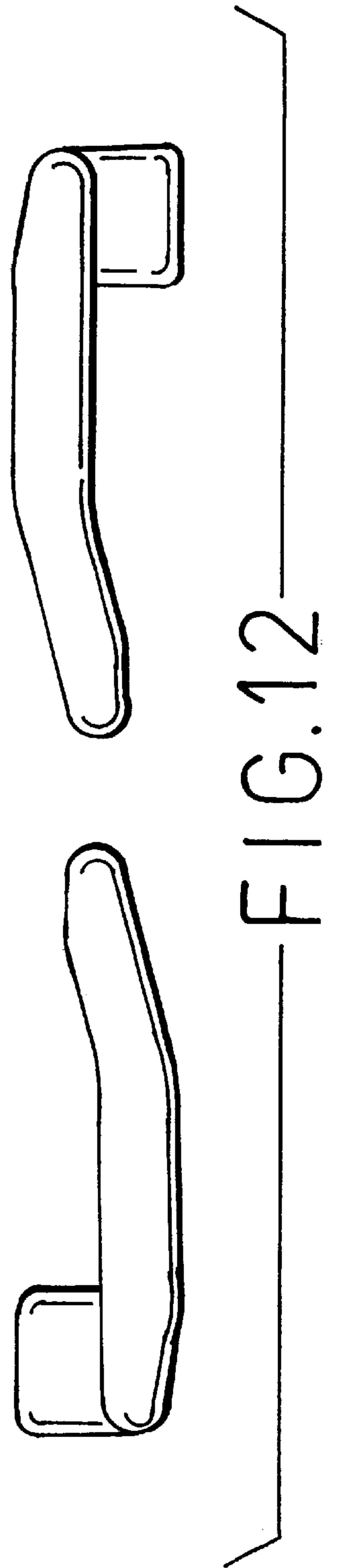
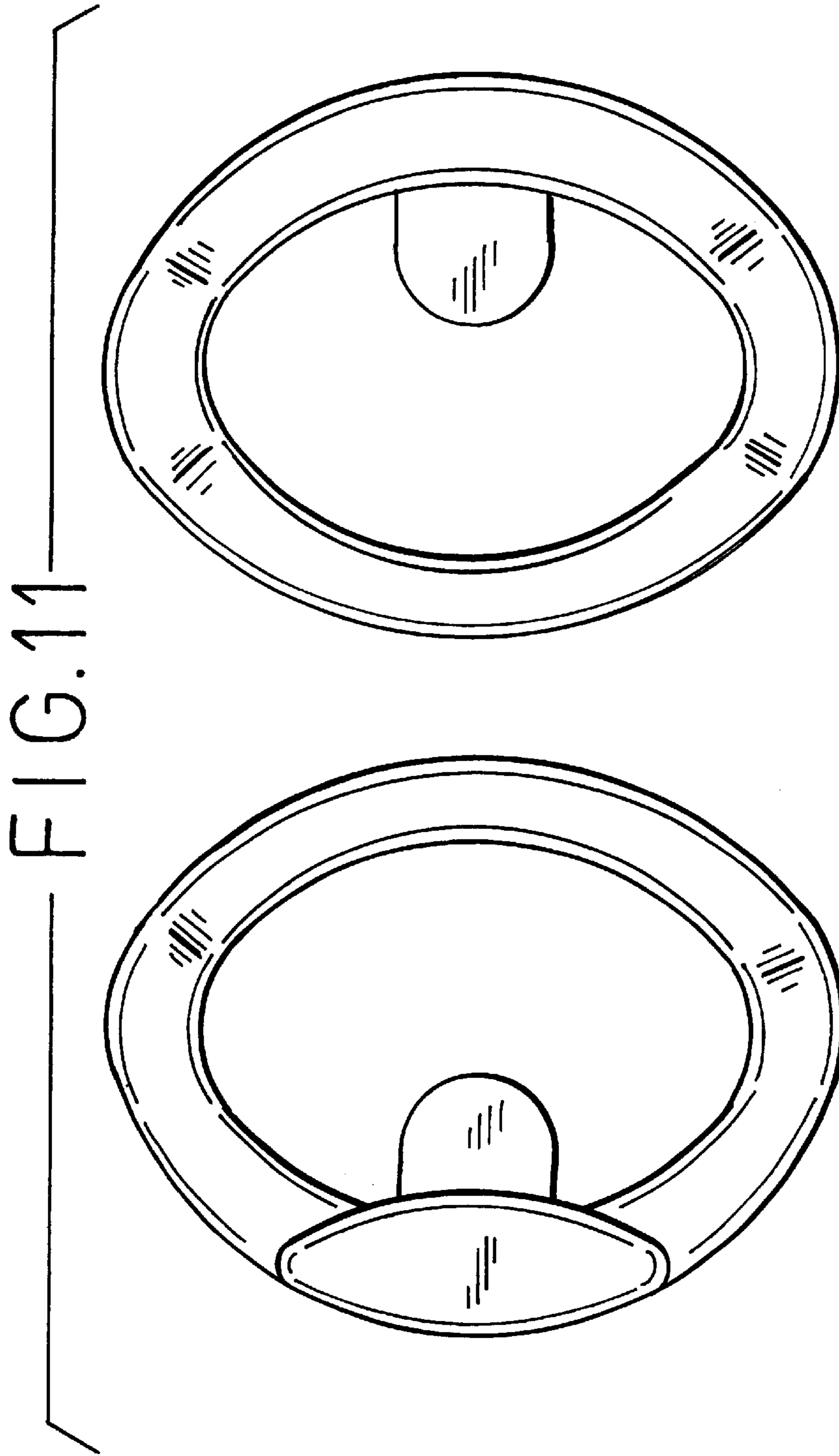


FIG. 8





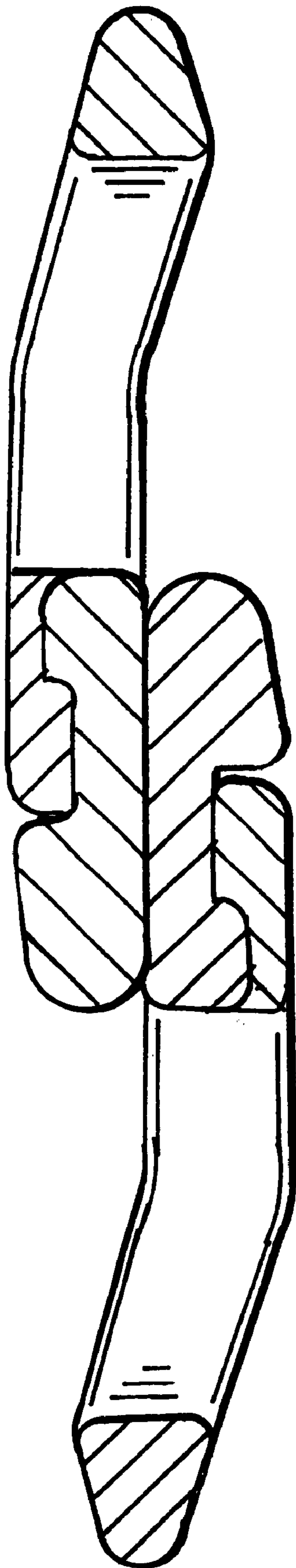


FIG. 13