



US00D455979S

(12) **United States Design Patent**
Salenger

(10) **Patent No.:** **US D455,979 S**

(45) **Date of Patent:** **** Apr. 23, 2002**

(54) **PLANT BOX**

(76) **Inventor:** **Fred Salenger**, 4245 Clear Valley Dr.,
Encino, CA (US) 91436

(**) **Term:** **14 Years**

(21) **Appl. No.:** **29/138,393**

(22) **Filed:** **Mar. 12, 2001**

(51) **LOC (7) Cl.** **11-02**

(52) **U.S. Cl.** **D11/155**

(58) **Field of Search** D11/143, 155;
D3/304, 305, 314; D7/554.1; 47/65.5, 66.3,
73, 86; 217/5, 12 R; 248/27.8; 206/423,
557; 164/392

(56) **References Cited**

U.S. PATENT DOCUMENTS

- 160,088 A * 2/1875 Eby 47/73
- 172,616 A * 1/1876 Eby 47/73
- 596,635 A * 1/1898 Speaker 217/5
- 695,677 A * 3/1902 Faris 217/12 R

- 2,915,796 A * 12/1959 Hines 164/392
- 4,363,189 A * 12/1982 O'Donnell, III 47/73
- D402,229 S * 12/1998 Christensen D11/155

* cited by examiner

Primary Examiner—Doris V. Coles

Assistant Examiner—Mimosa De

(74) *Attorney, Agent, or Firm*—Goldstein Law Offices, PC.

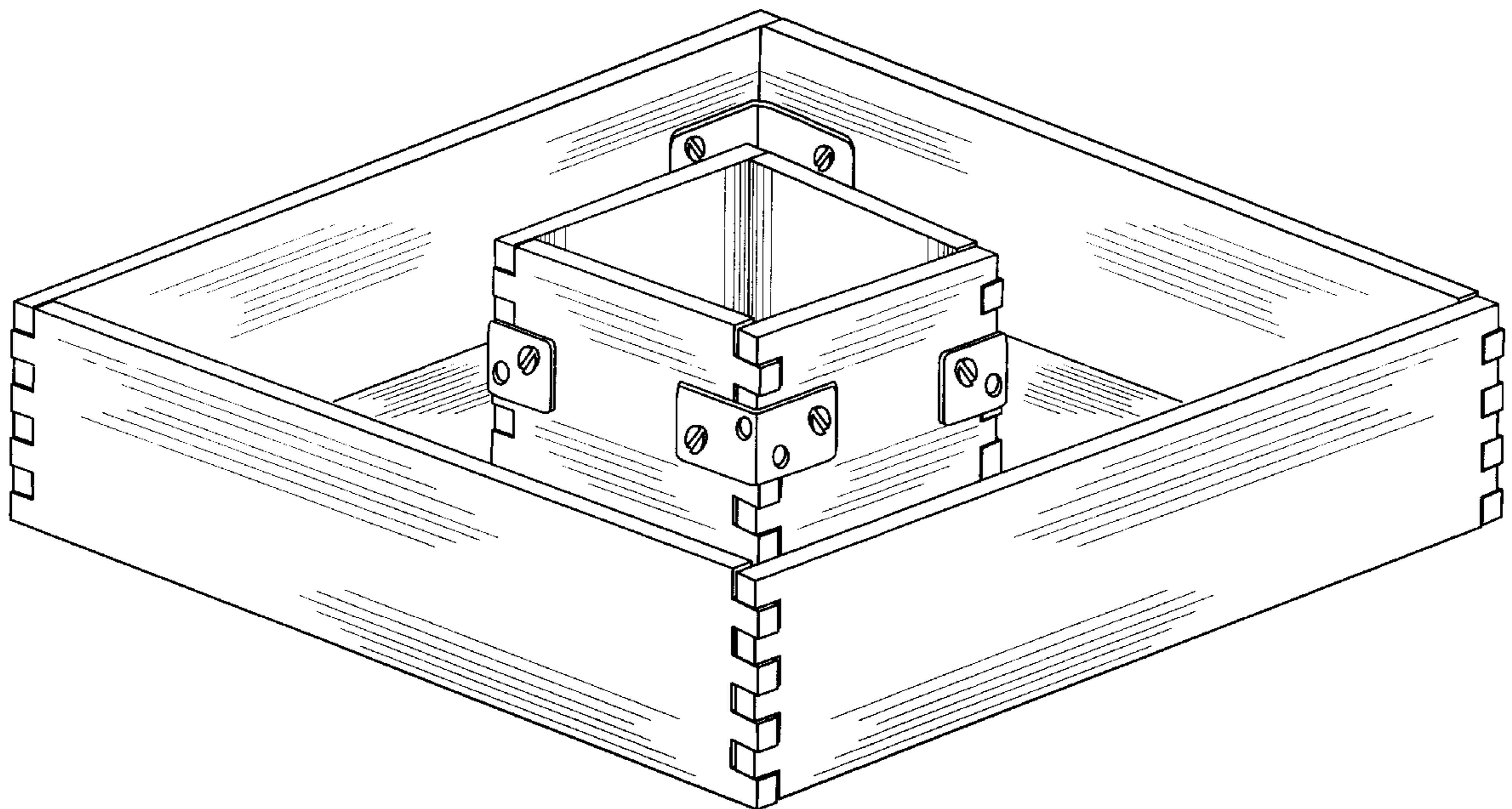
(57) **CLAIM**

The ornamental design for a plant box, as shown and described.

DESCRIPTION

FIG. 1 is a perspective view of a plant box.
 FIG. 2 is a front elevational view thereof, the rear elevational view being a mirror image of the front view.
 FIG. 3 is a right side elevational view thereof, the left side elevational view being a mirror image of the right side view.
 FIG. 4 is a top plan view thereof; and,
 FIG. 5 is a bottom plan view thereof.

1 Claim, 4 Drawing Sheets



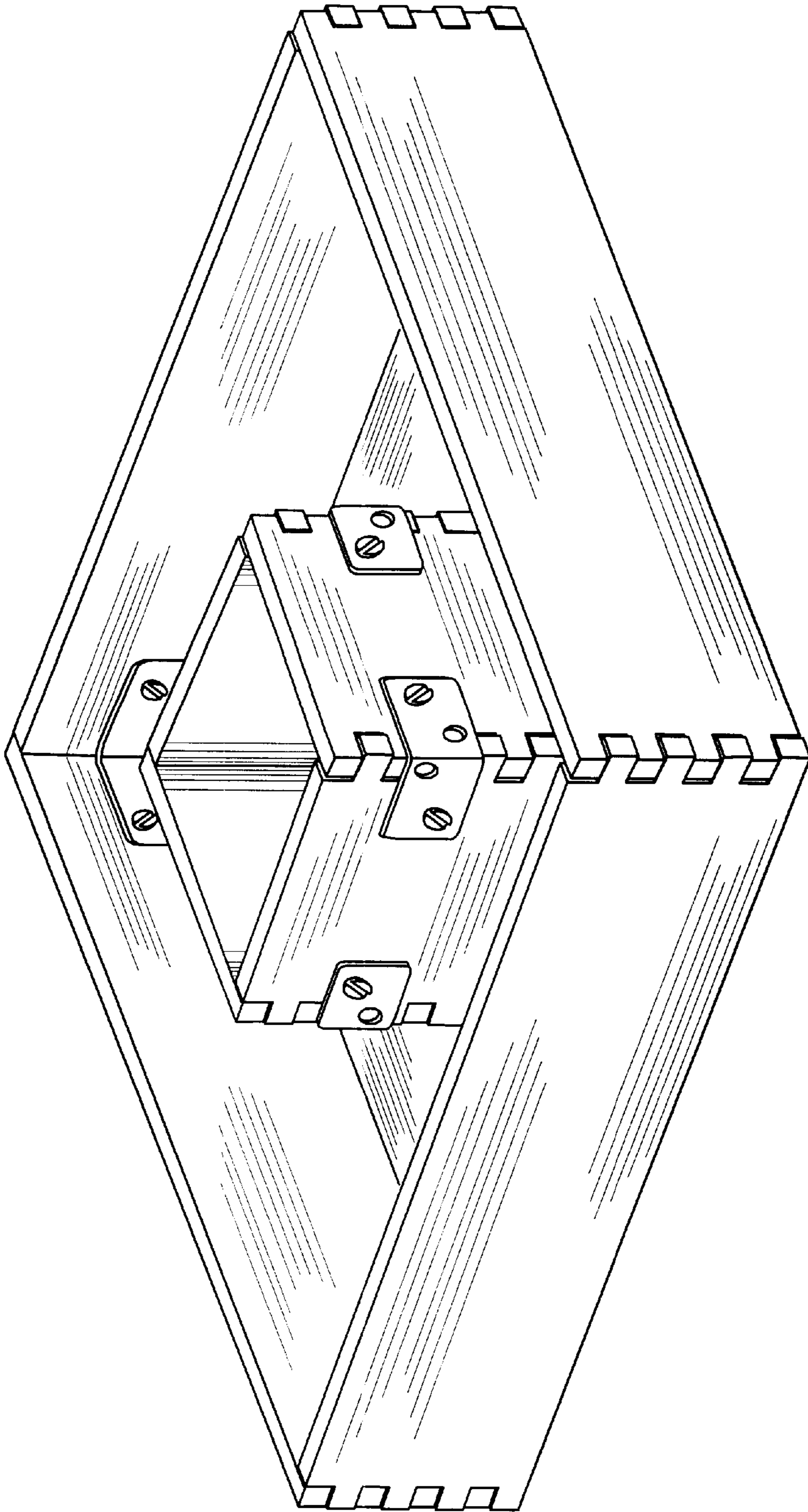


FIG. 1

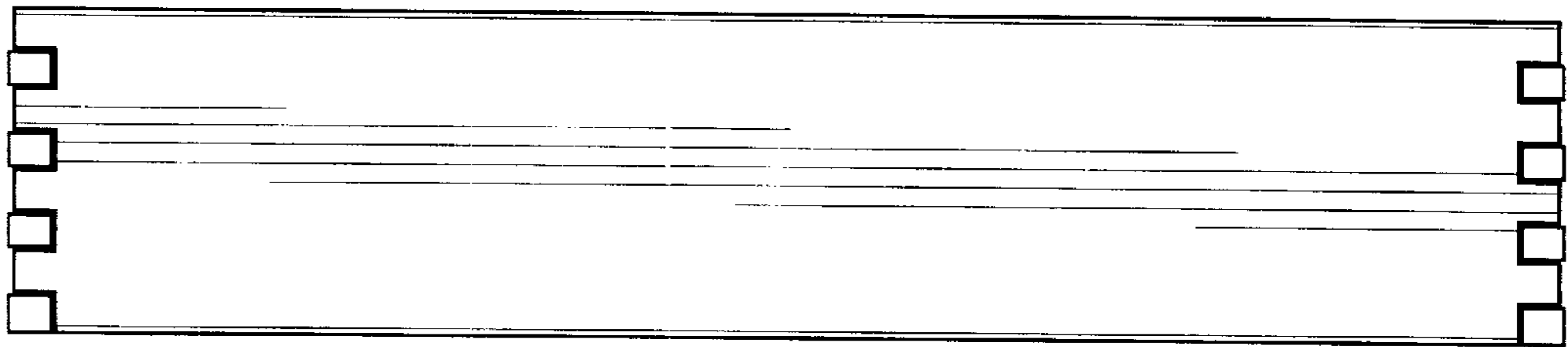


FIG. 2

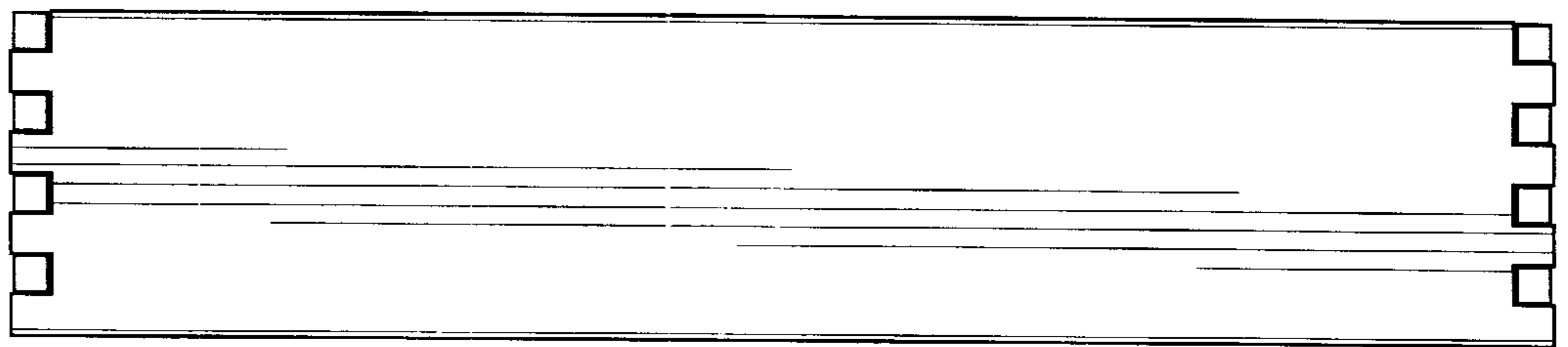


FIG. 3

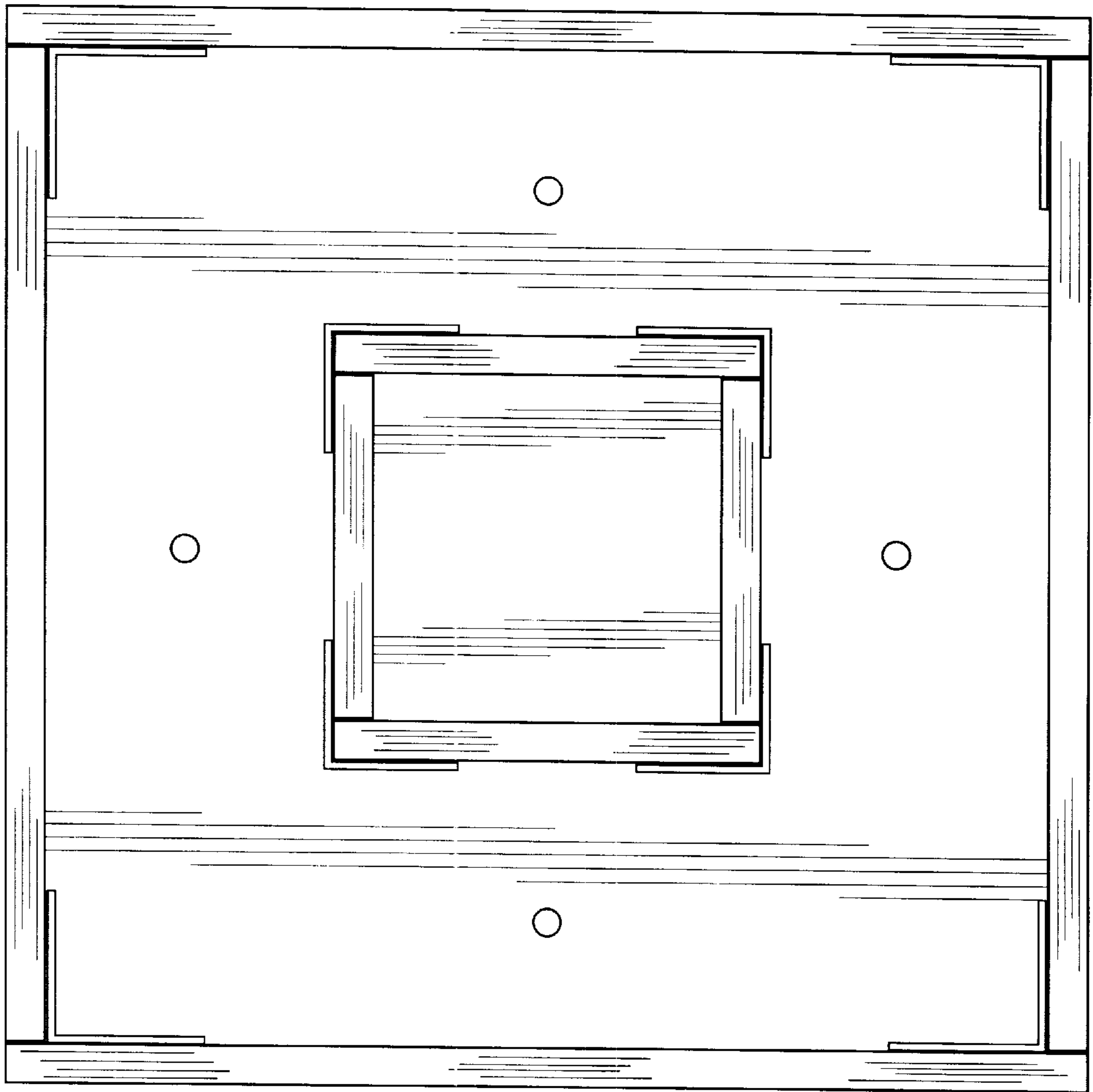


FIG. 4

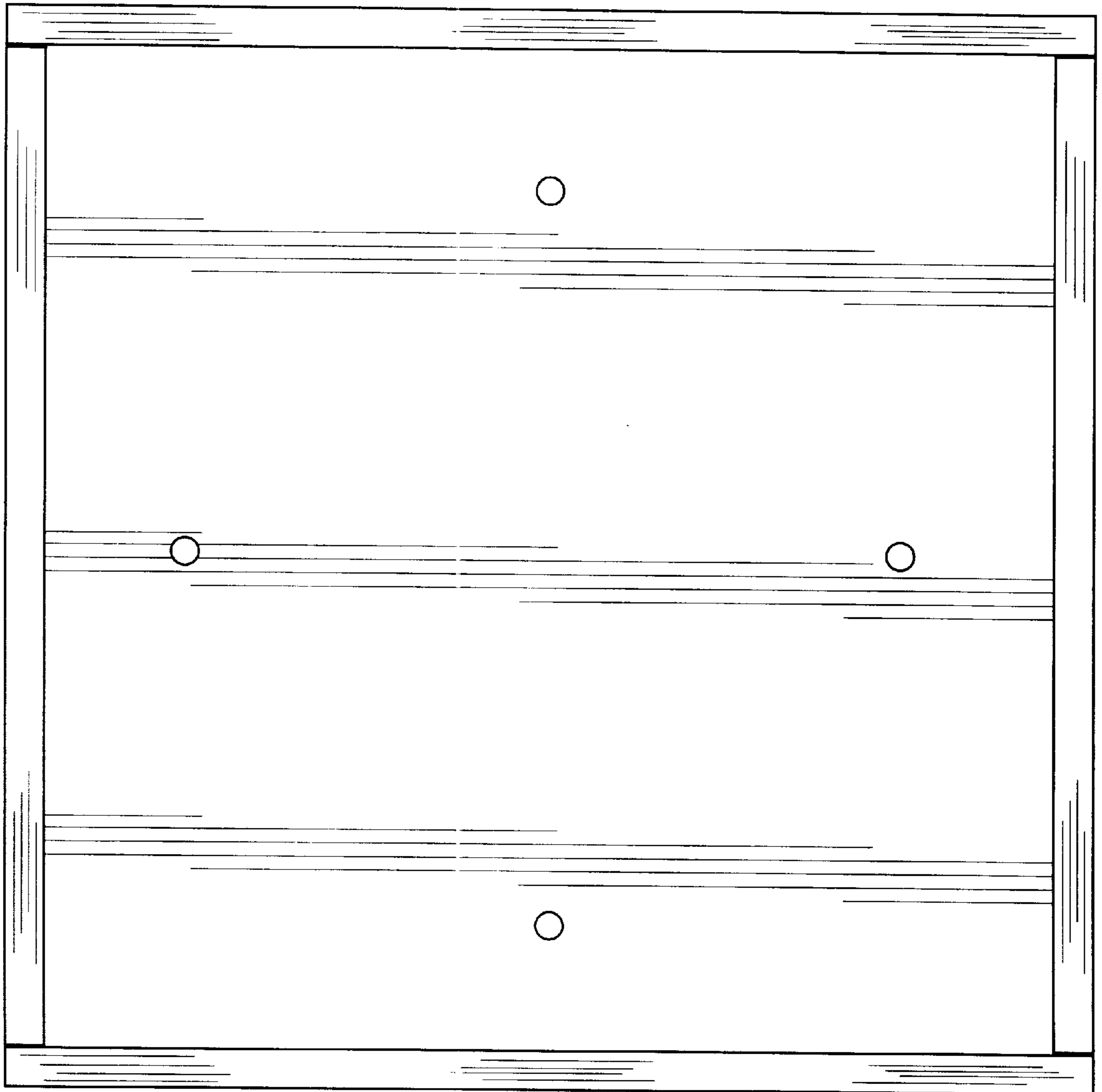


FIG. 5