



US00D455975S

(12) **United States Design Patent**
Deorah

(10) **Patent No.:** **US D455,975 S**

(45) **Date of Patent:** **** Apr. 23, 2002**

(54) **THREE-STONE, HEART-SHAPED SETTING FOR DIAMONDS AND GEMSTONES**

(75) **Inventor:** **Rajendra Deorah**, Mumbai (IN), 400 097

(73) **Assignee:** **DiamLink Jewelry, Inc.**, New York, NY (US)

(**) **Term:** **14 Years**

(21) **Appl. No.:** **29/140,723**

(22) **Filed:** **Apr. 23, 2001**

(51) **LOC (7) Cl.** **11-01**

(52) **U.S. Cl.** **D11/40; D11/91**

(58) **Field of Search** D11/56, 26-30, D11/34-38, 40-49, 81, 89, 97, 90-91, 92, 93, 1-3; 63/1.11, 12-13, 18-19, 20-21, 26-28, 38, 14.2, 14.3

(56) **References Cited**

U.S. PATENT DOCUMENTS

D142,193 S	*	8/1945	Katz	D11/56
D196,868 S	*	11/1963	Nagy	D11/56
D250,699 S	*	1/1979	Barr	D11/56
D289,020 S		3/1987	Bond	D11/56
D339,311 S	*	9/1993	Ambar	D11/56
D349,865 S		8/1994	Benhamou	D11/14
5,632,164 A		5/1997	Bergagnini	63/23
D381,286 S	*	7/1997	Udco	D11/56

D394,825 S	*	6/1998	Brimont	D11/79
D395,256 S	*	6/1998	Udco	D11/56
D414,132 S	*	9/1999	Ambar	D11/56

* cited by examiner

Primary Examiner—Cathy Anne MacCormac

(74) *Attorney, Agent, or Firm*—Ronald M. Anderson

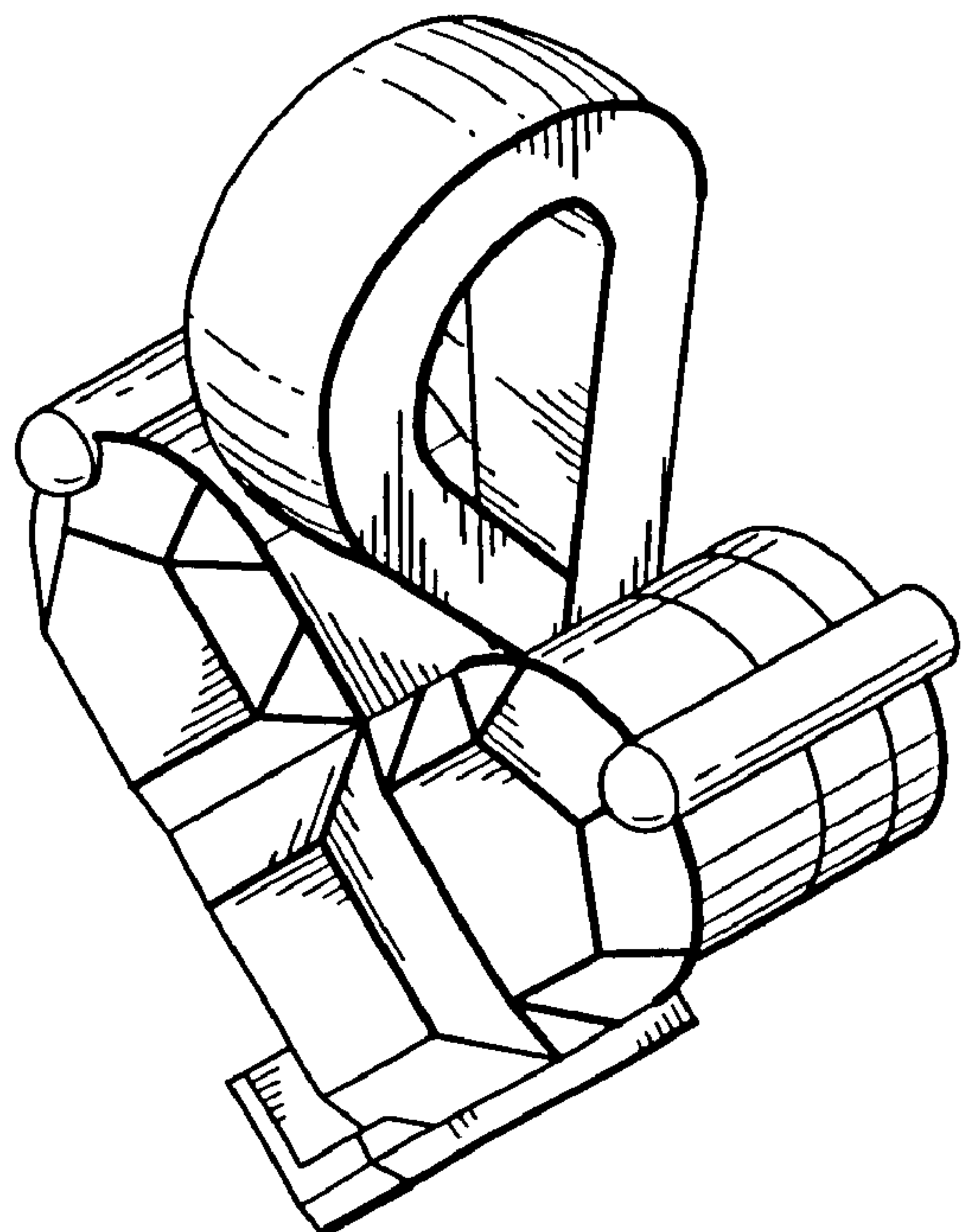
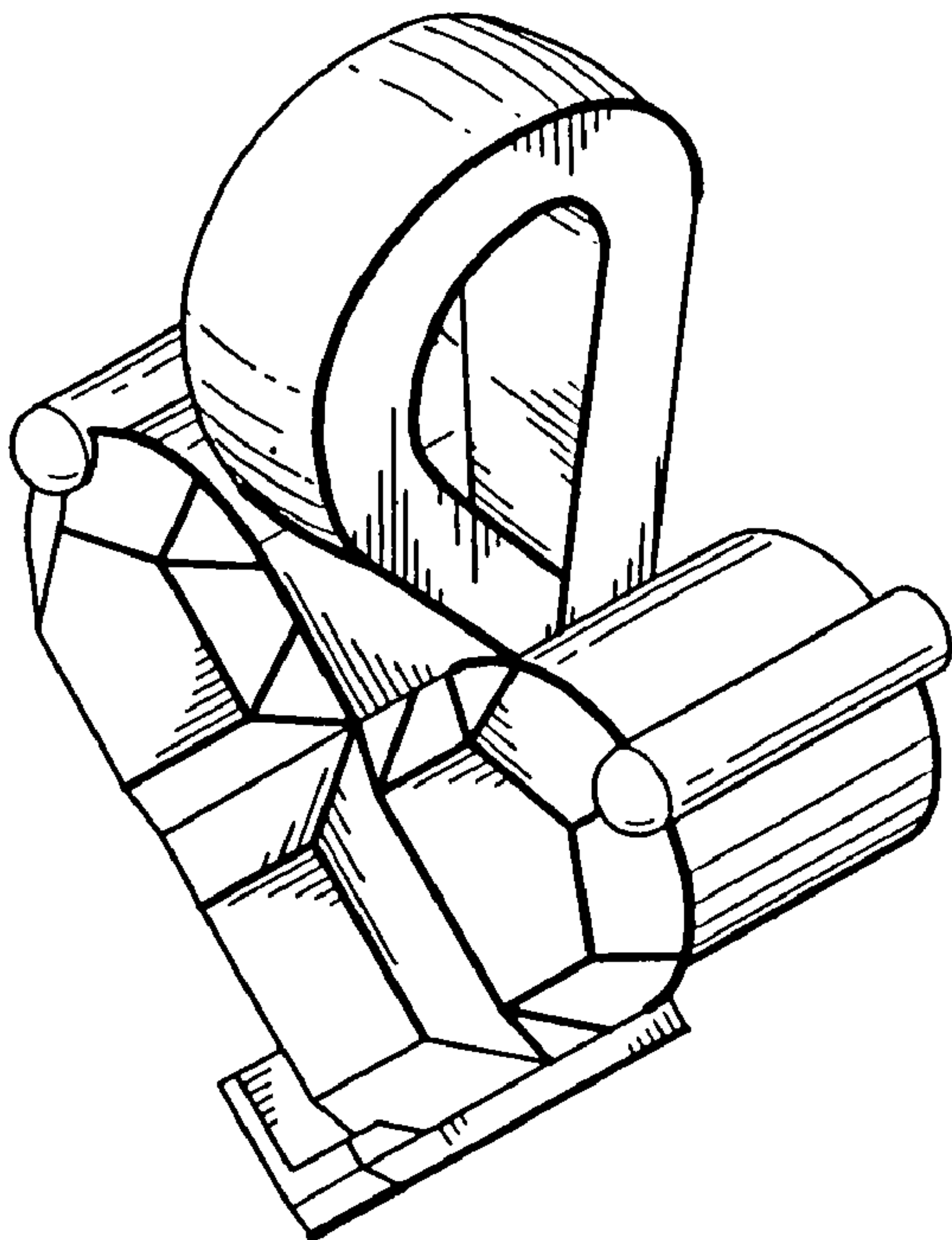
(57) **CLAIM**

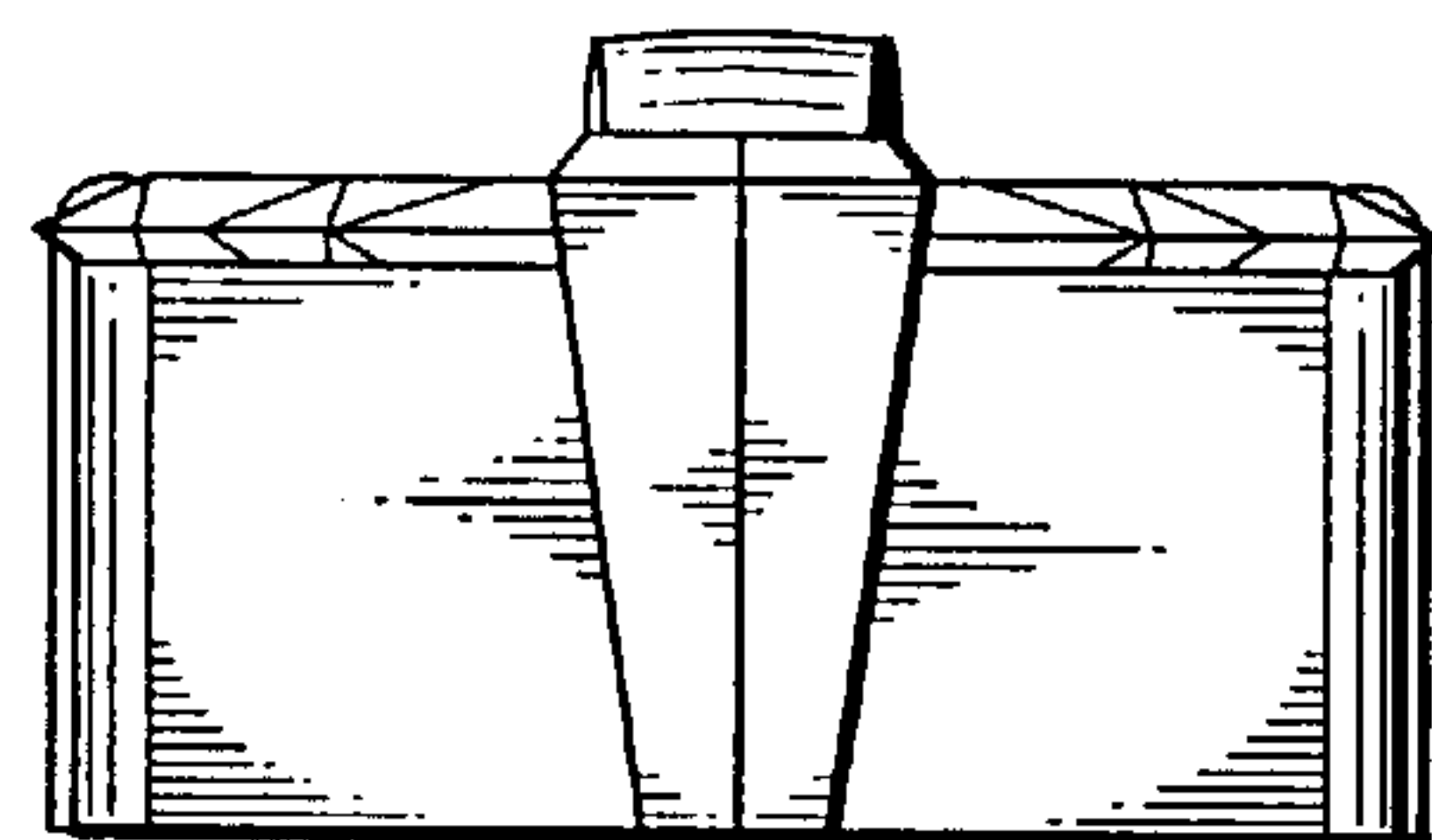
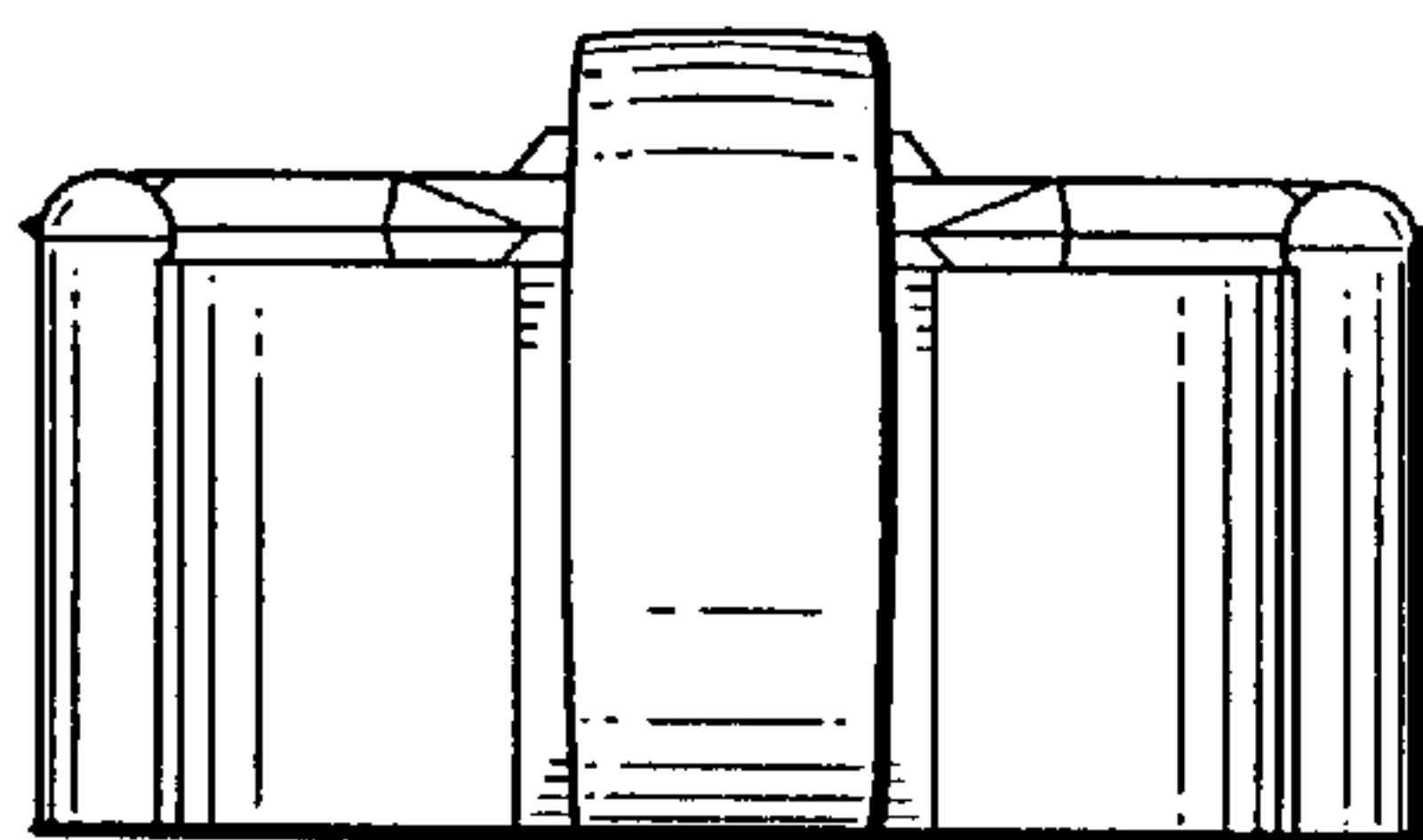
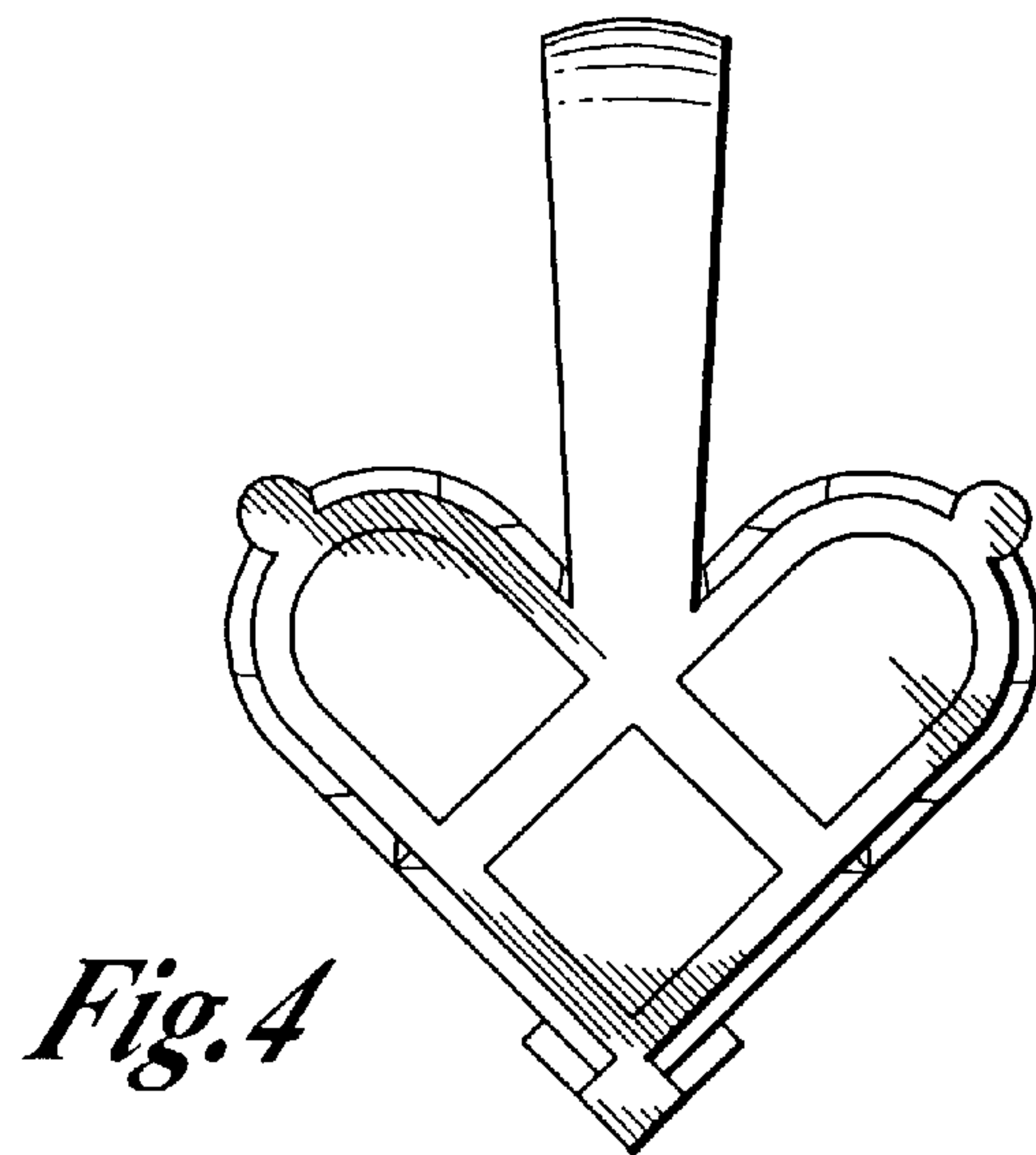
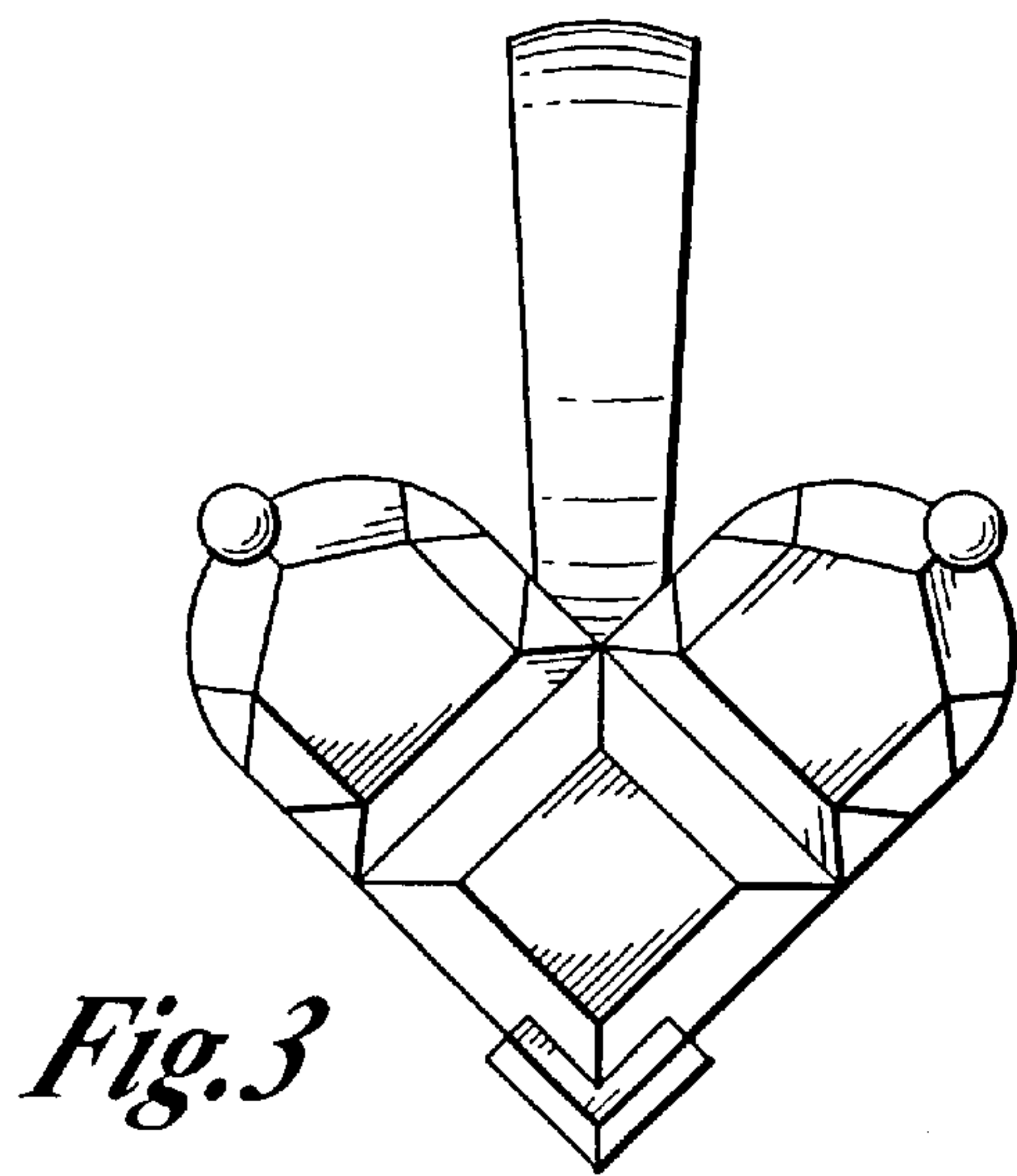
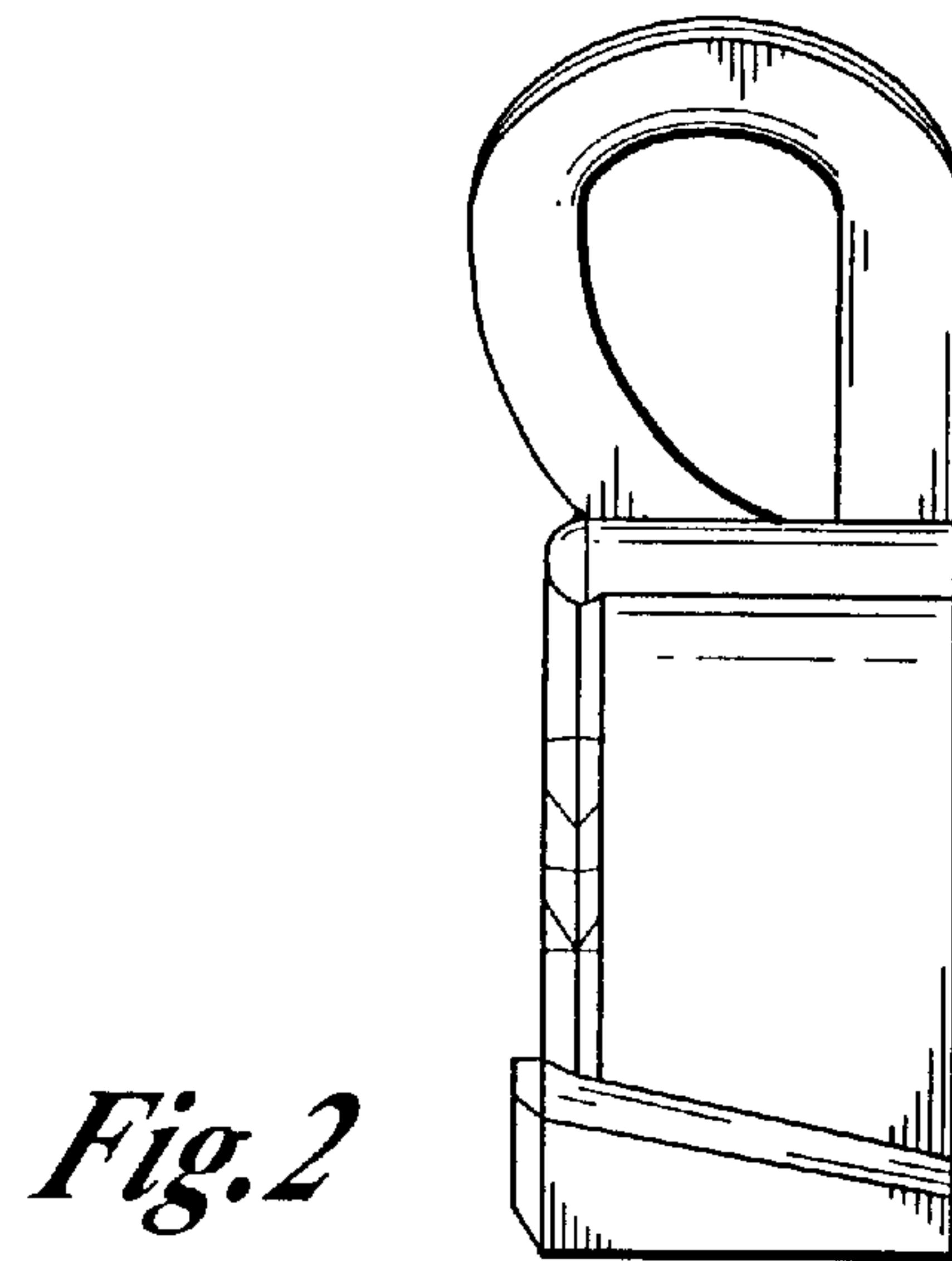
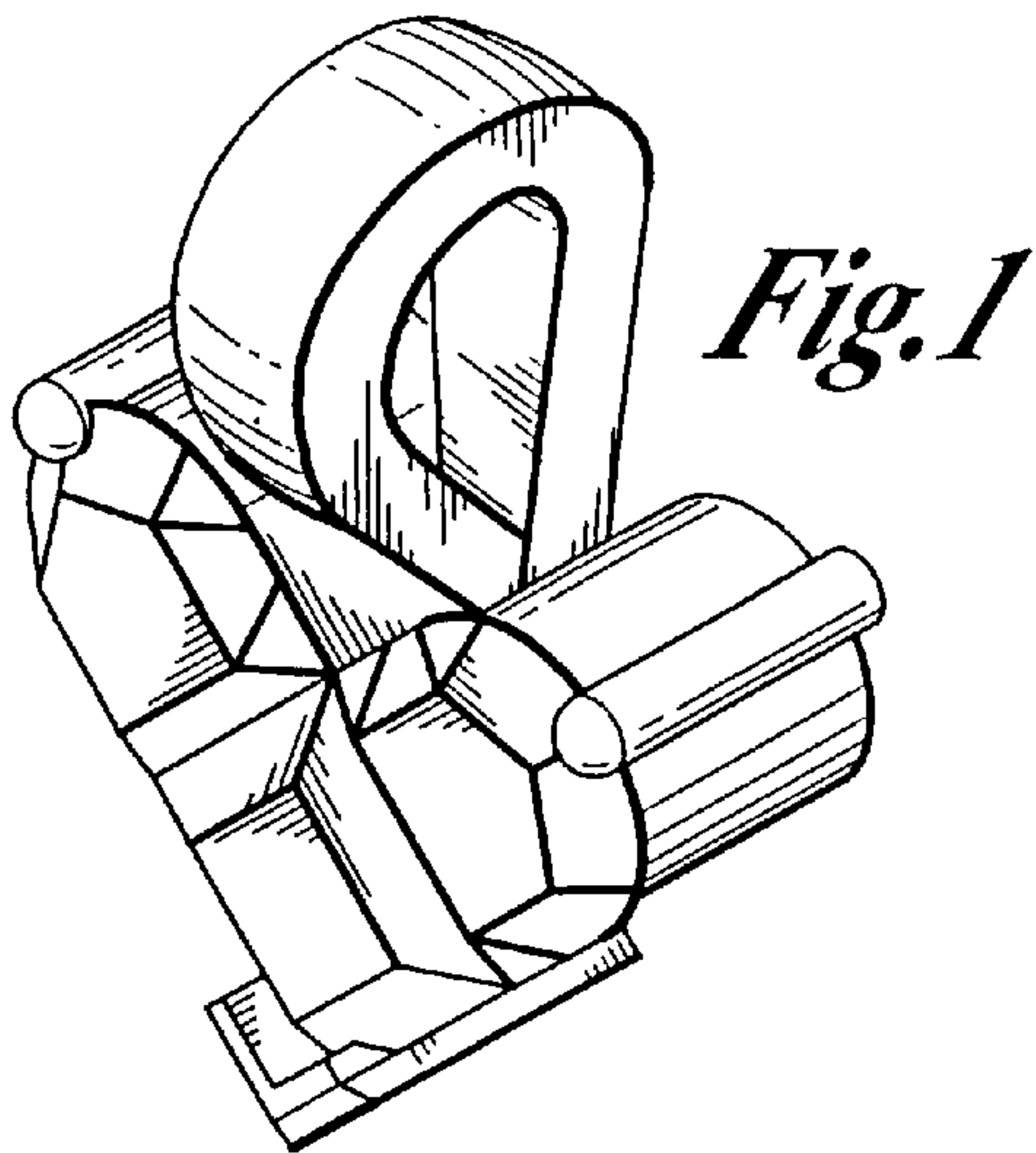
The ornamental design for a three-stone, heart-shaped setting for diamonds and gemstones, as shown and described.

DESCRIPTION

FIG. 1 is a top view of a three-stone, heart-shaped setting for diamonds and gemstones;
 FIG. 2 is a side elevational view thereof, the opposite side view being a mirror image;
 FIG. 3 is a front view thereof;
 FIG. 4 is a rear view thereof;
 FIG. 5 is a top view thereof;
 FIG. 6 is a bottom view thereof;
 FIG. 7 is a top view of a second embodiment of FIG. 1;
 FIG. 8 is a side elevational view of FIG. 7, the opposite side view being a mirror image;
 FIG. 9 is a front view of FIG. 7;
 FIG. 10 is a rear view of FIG. 7;
 FIG. 11 is a top view of FIG. 7; and,
 FIG. 12 is a bottom view of FIG. 7.

1 Claim, 2 Drawing Sheets





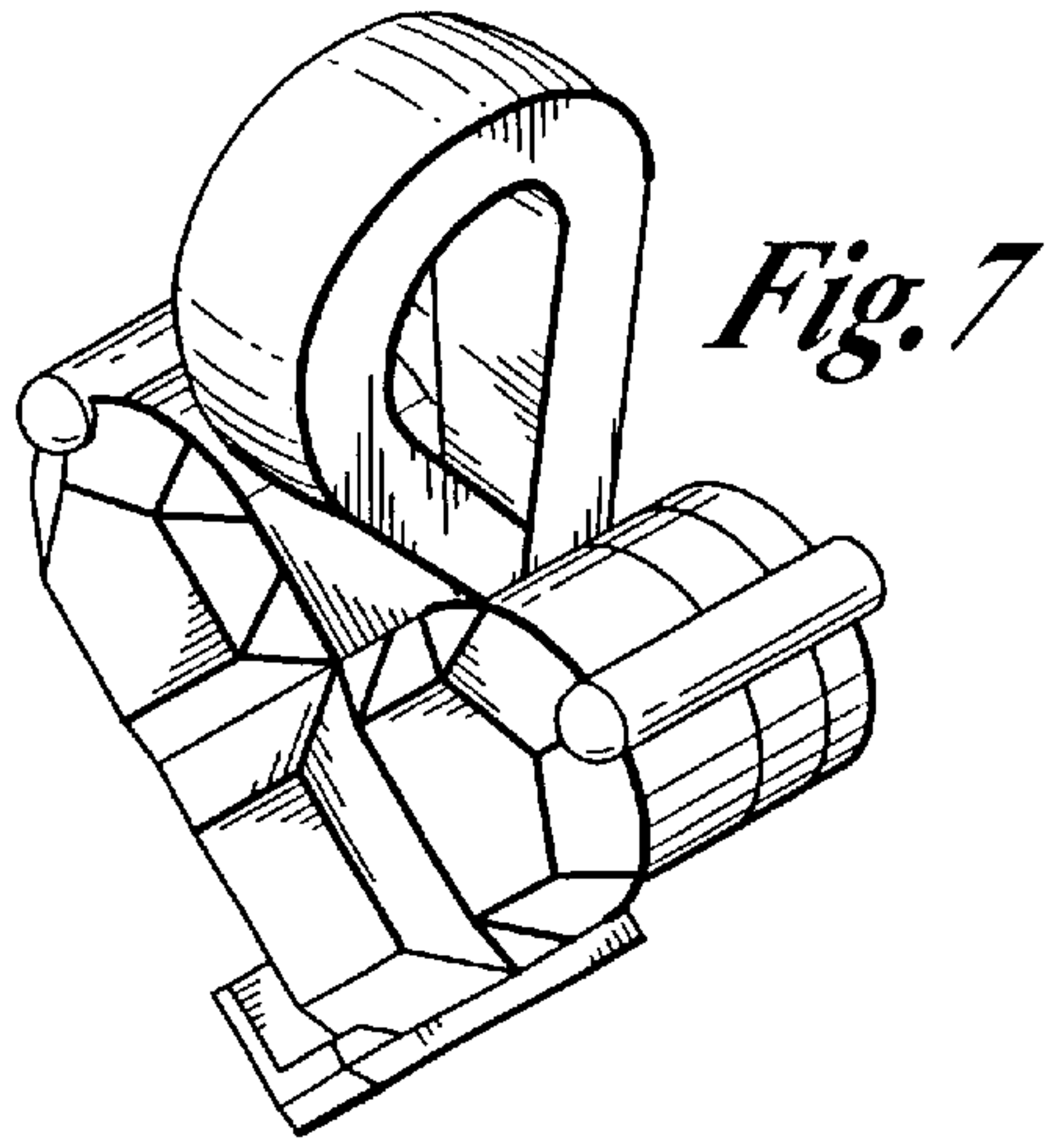


Fig. 7

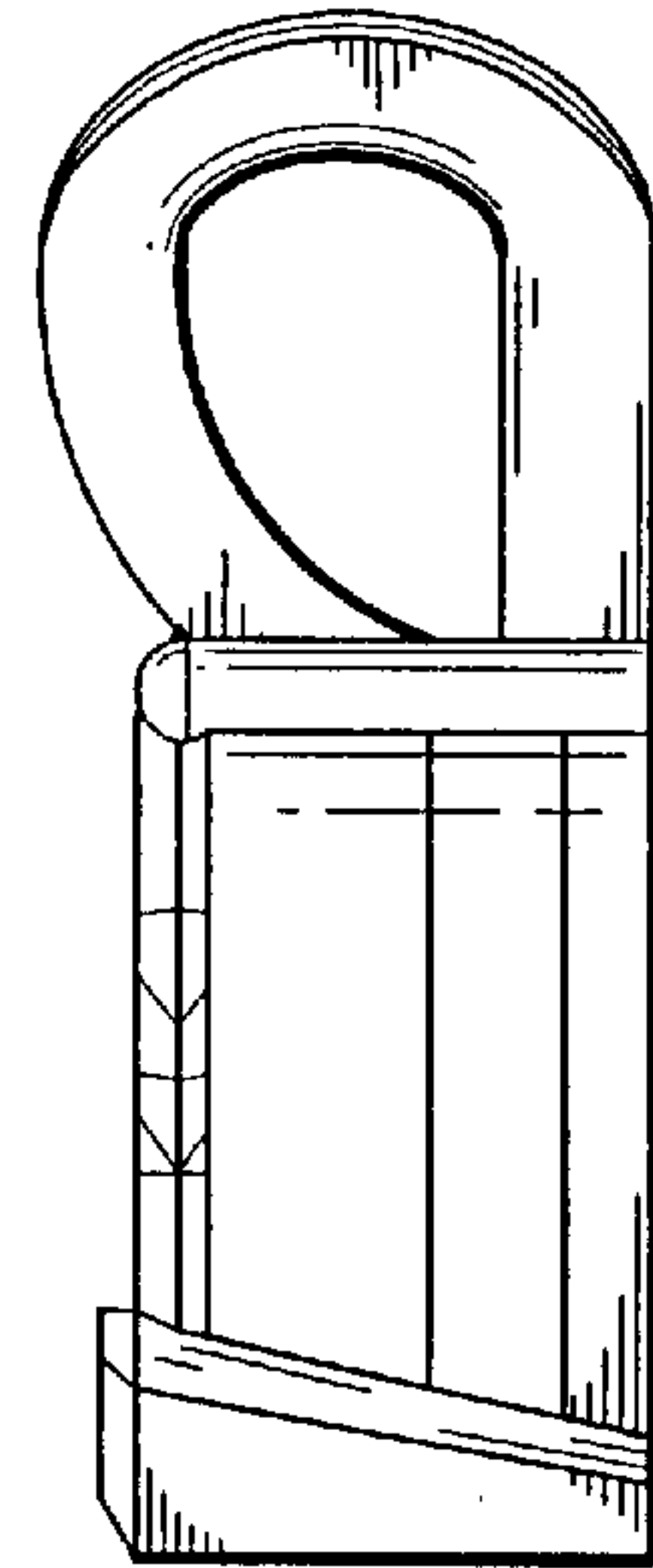


Fig. 8

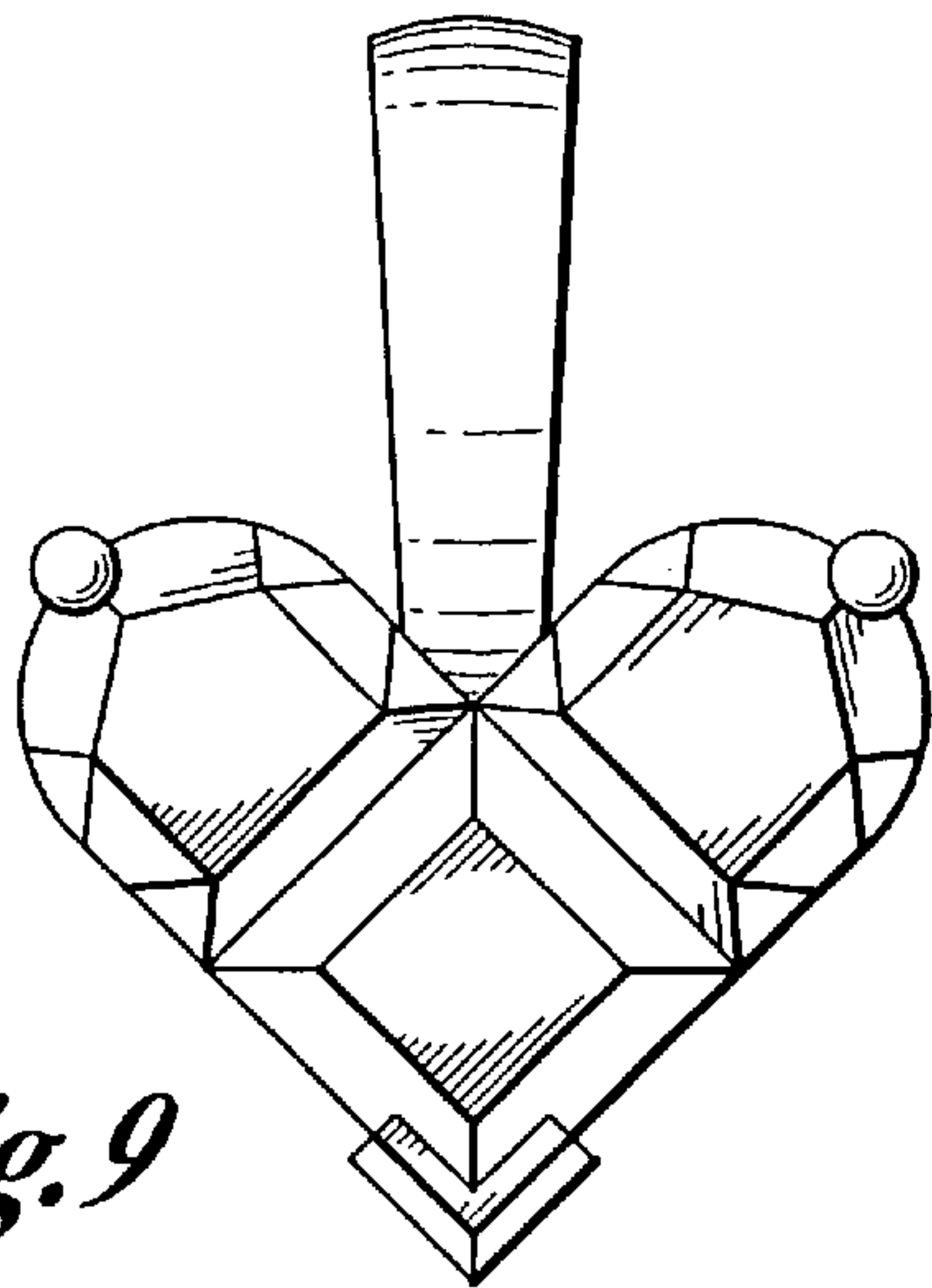


Fig. 9

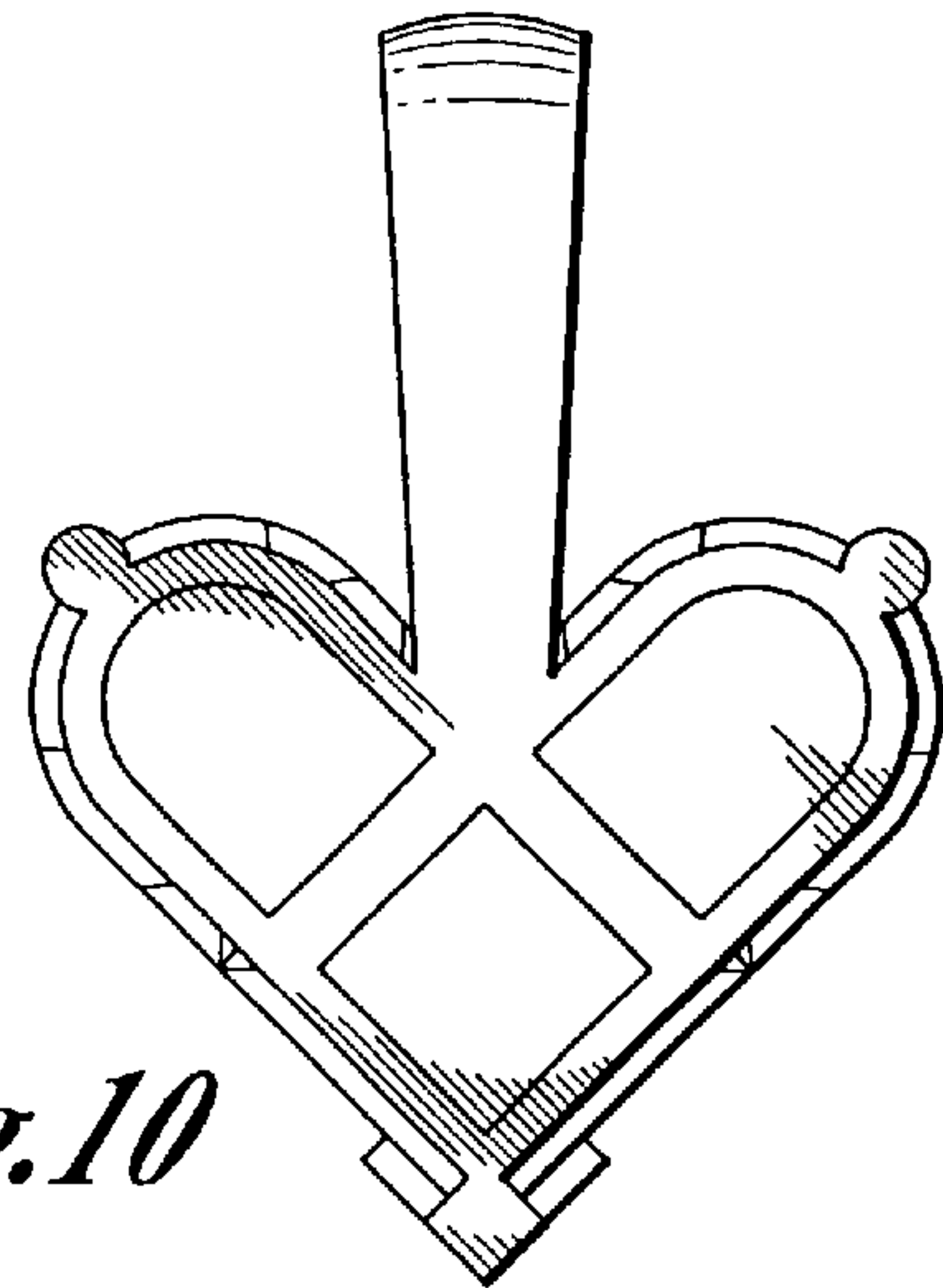


Fig. 10

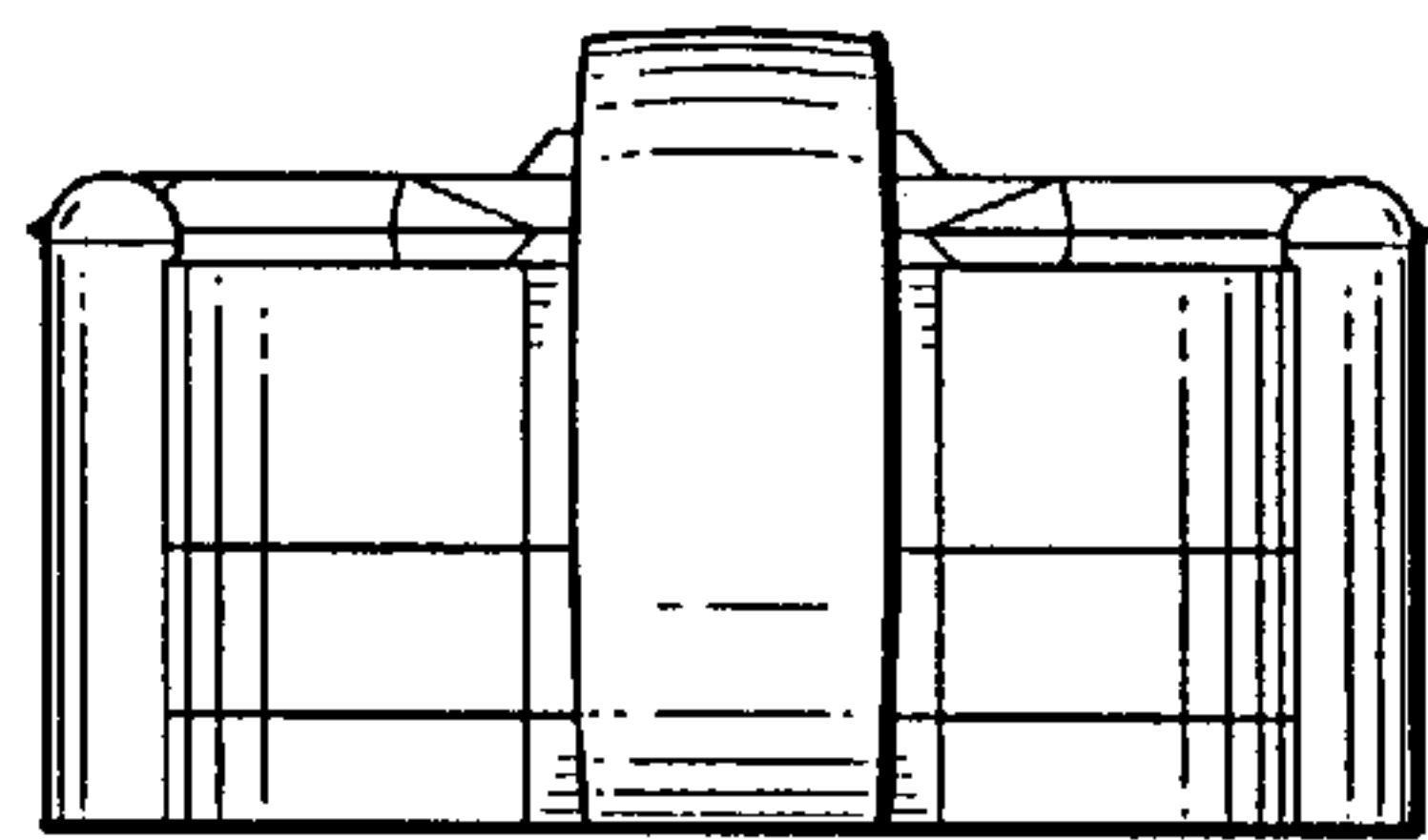


Fig. 11

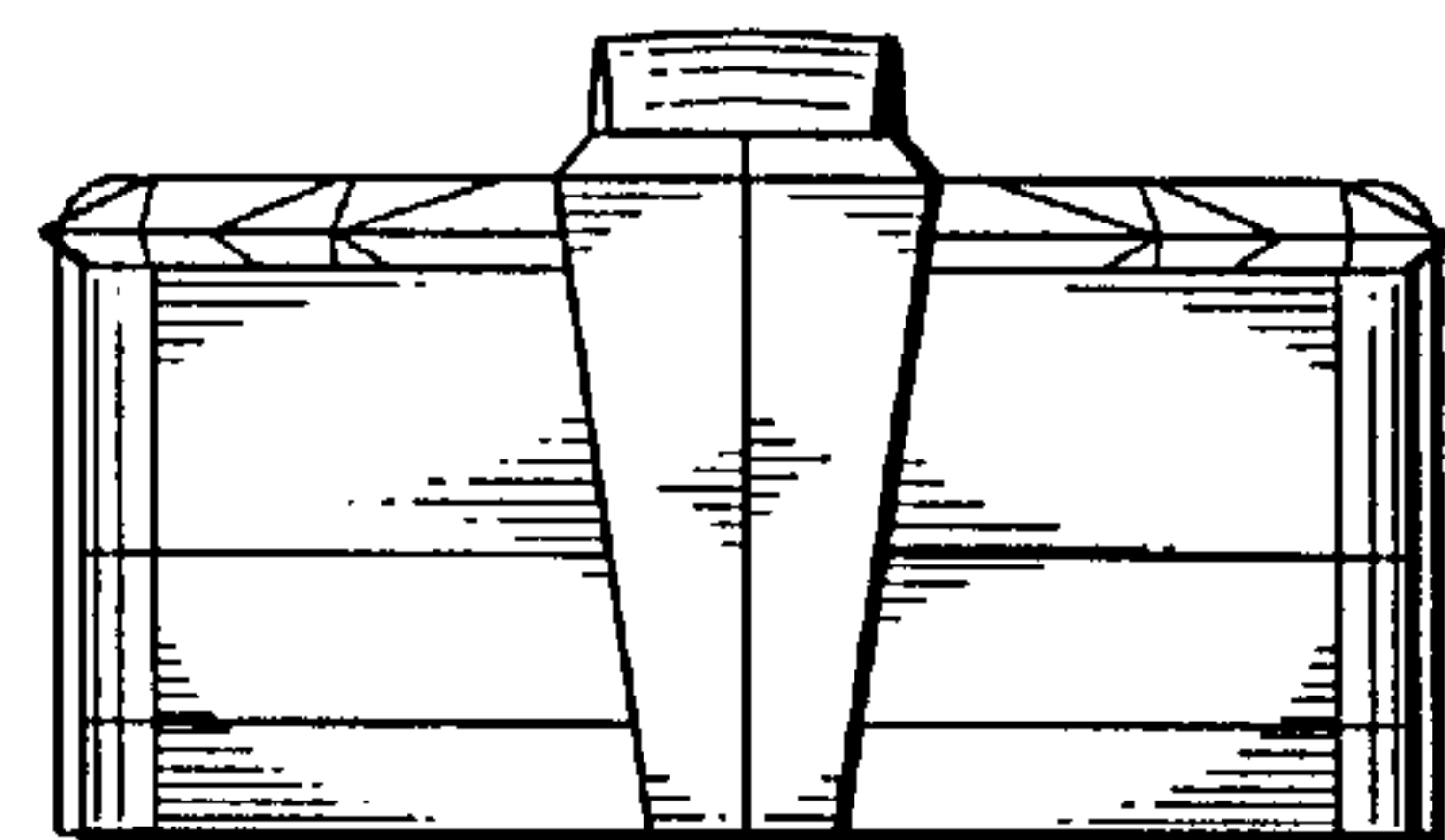


Fig. 12