



US00D455972S

(12) **United States Design Patent**  
**Gilbert**

(10) **Patent No.:** **US D455,972 S**

(45) **Date of Patent:** **\*\* Apr. 23, 2002**

(54) **REFILL REMINDER INSERT FOR  
PRESCRIPTION MEDICINE BOTTLE**

*Primary Examiner*—Antoine Duval Davis  
(74) *Attorney, Agent, or Firm*—Marger Johnson & McCollom, P.C.

(76) **Inventor:** **Michael D. Gilbert**, 113 N. Vernonia Rd., St. Helens, OR (US) 97051

(57) **CLAIM**

(\*\*) **Term:** **14 Years**

The ornamental design for a refill reminder insert for prescription medicine bottle, as shown and described.

(21) **Appl. No.:** **29/129,194**

**DESCRIPTION**

(22) **Filed:** **Sep. 6, 2000**

FIG. 1 is a perspective view of a prescription medicine bottle insert, showing my new design in use;

(51) **LOC (7) Cl.** ..... **10-04**

FIG. 2 is a left side elevation view, the right side being a mirror image of the left;

(52) **U.S. Cl.** ..... **D10/46**

(58) **Field of Search** ..... D10/46; D3/203; D9/341; 206/538, 531, 540, 534; 116/308

FIG. 3 is a front elevation view thereof;

FIG. 4 is a top plan view thereof;

FIG. 5 is a back elevation view, thereof; and,

FIG. 6 is a bottom plan view.

(56) **References Cited**

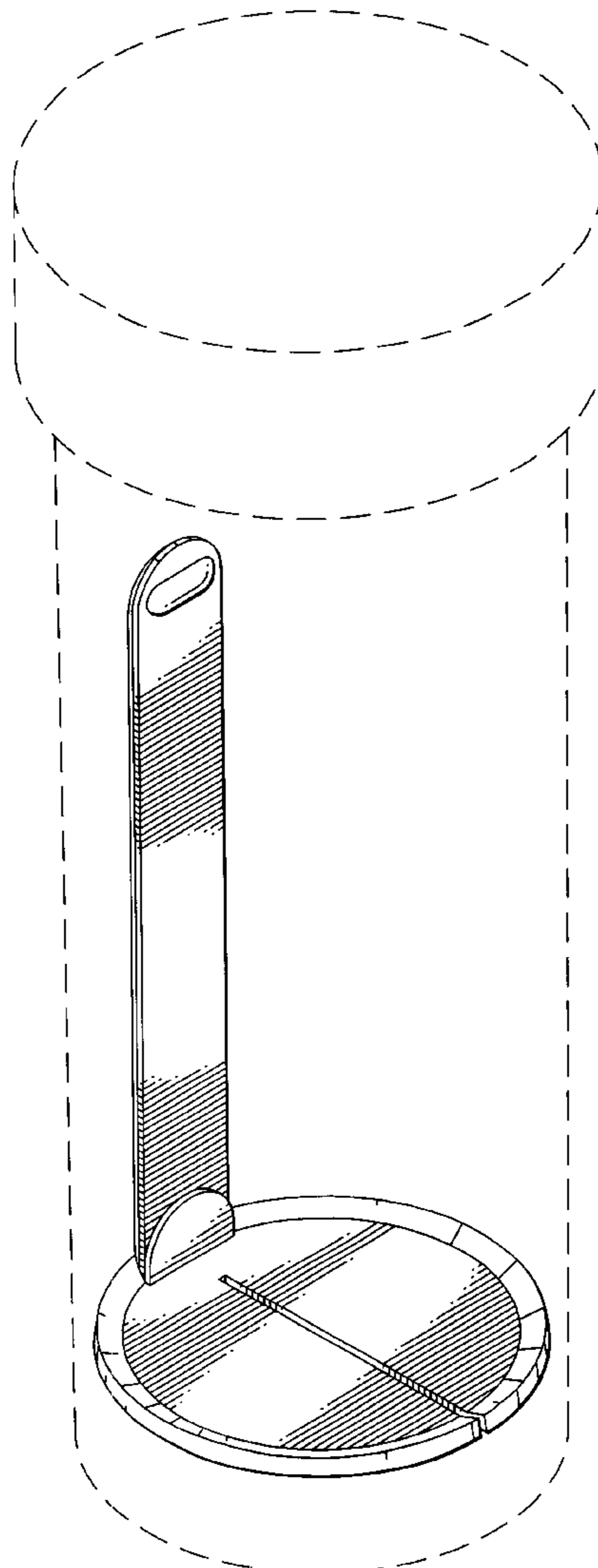
**U.S. PATENT DOCUMENTS**

4,420,083 A \* 12/1983 Baustin ..... 206/538

The broken line showing a pill bottle in FIG. 1 is for illustrative purposes only and forms no part of the claimed design.

\* cited by examiner

**1 Claim, 3 Drawing Sheets**



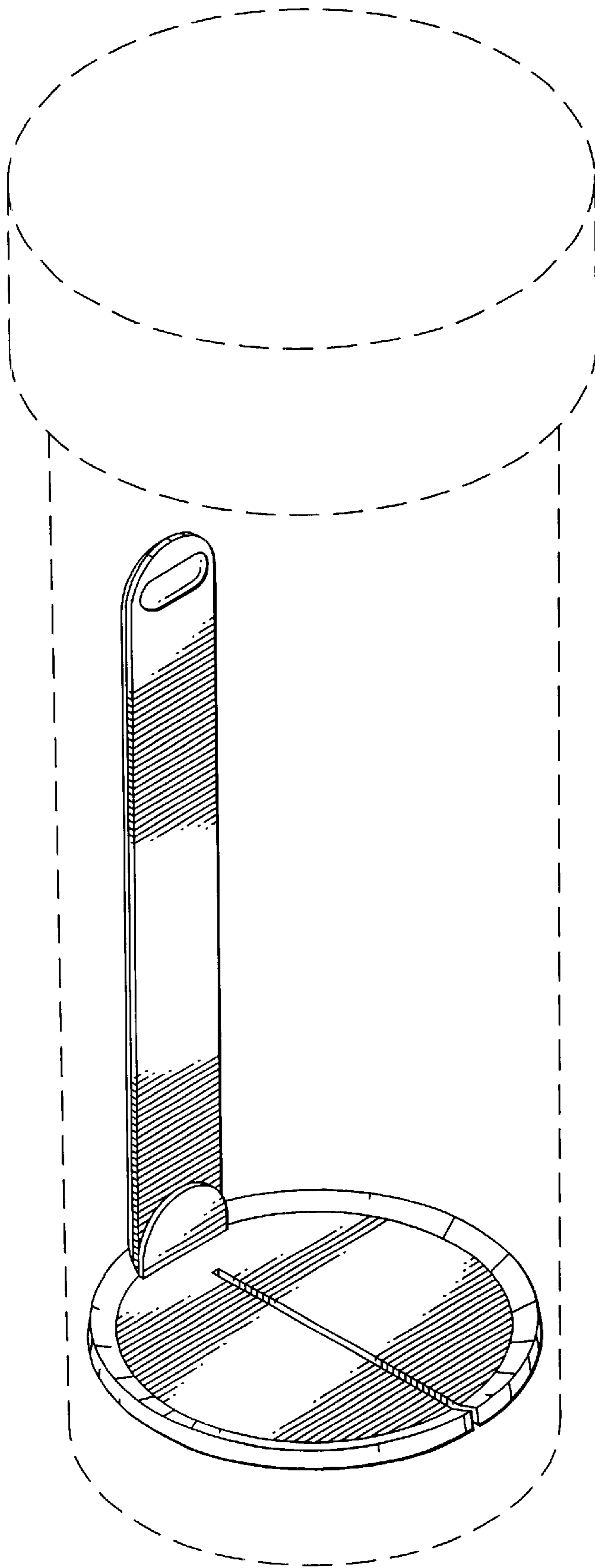


FIG.1

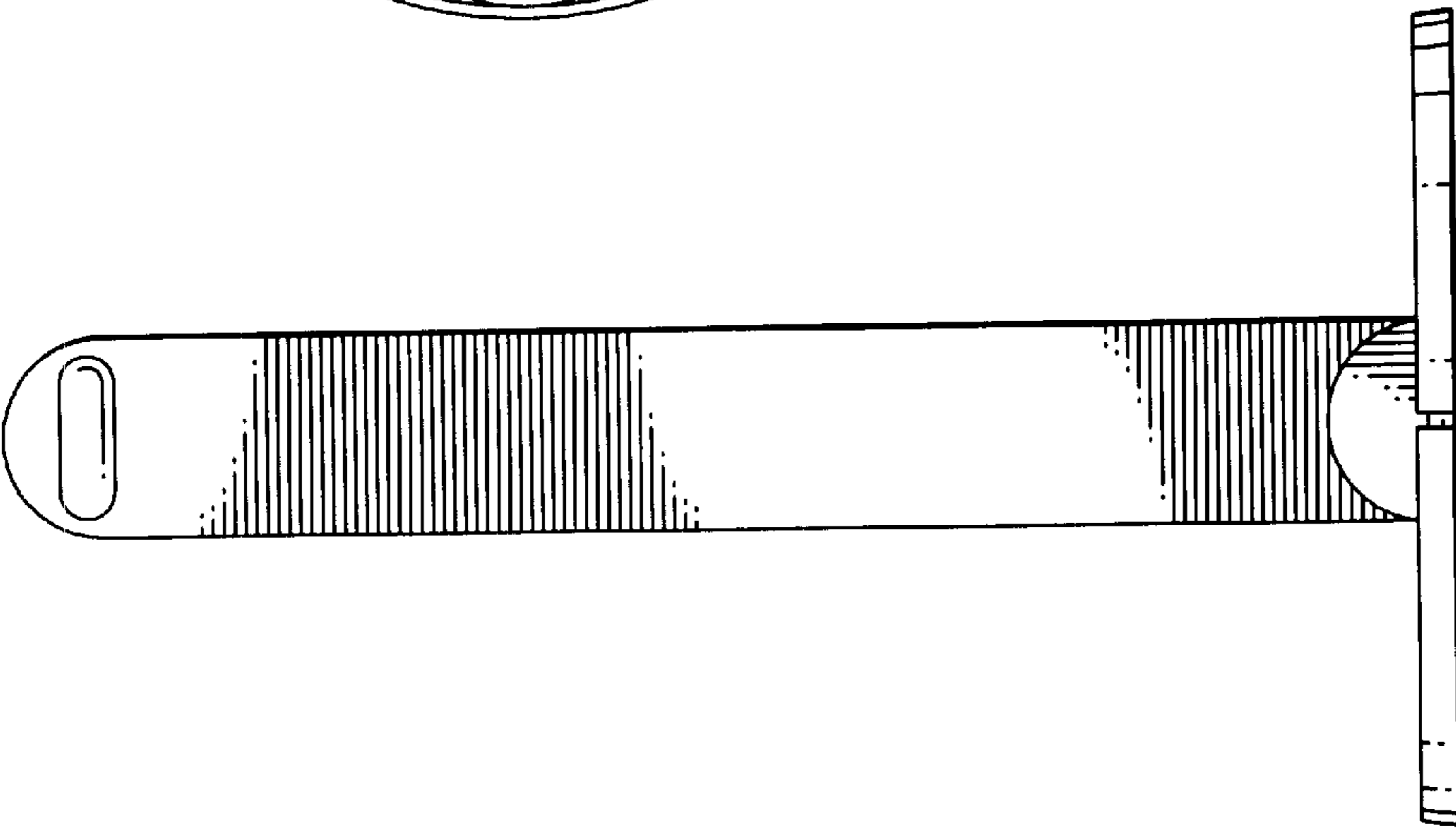


FIG.3



FIG.2

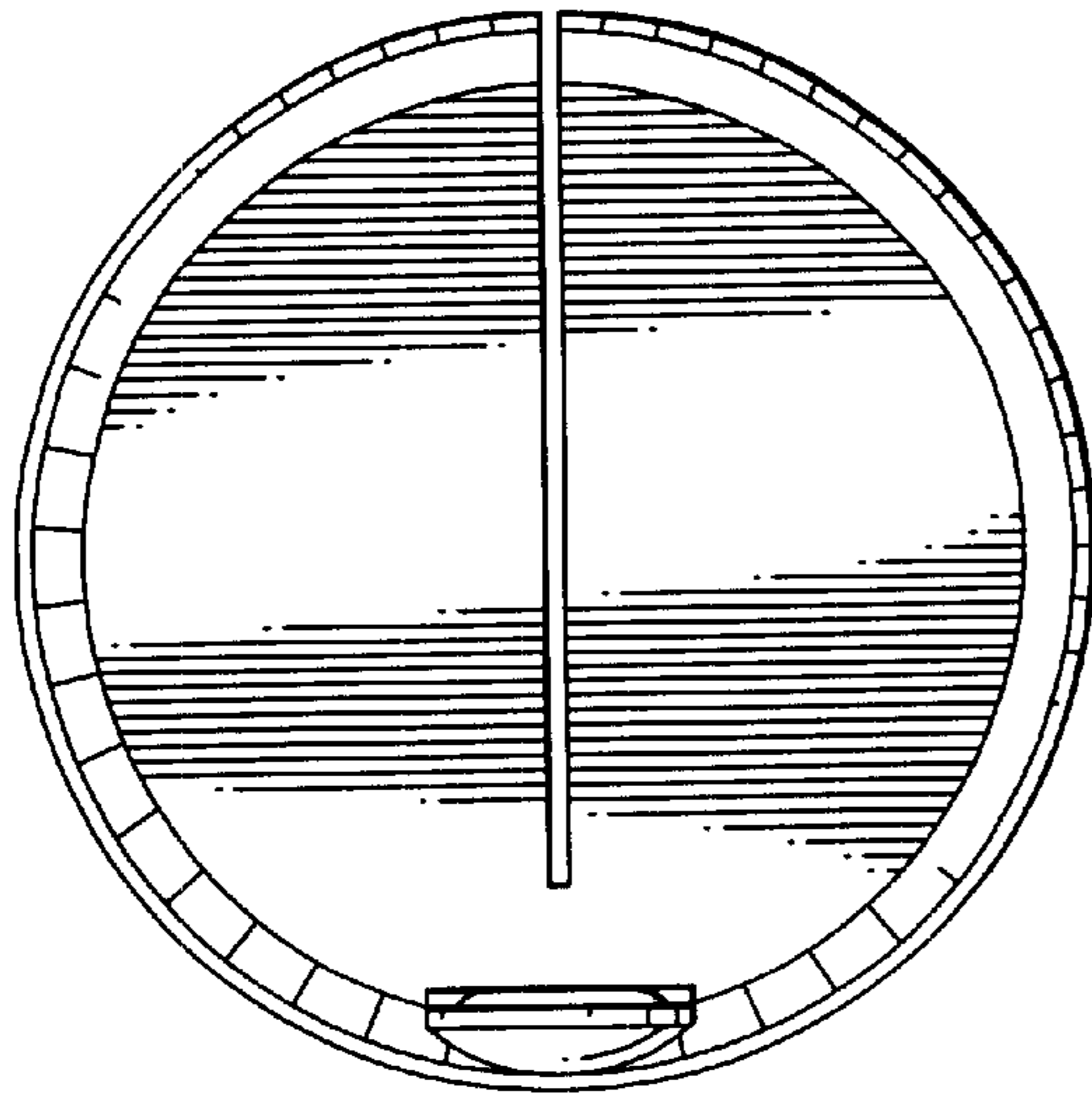


FIG.4

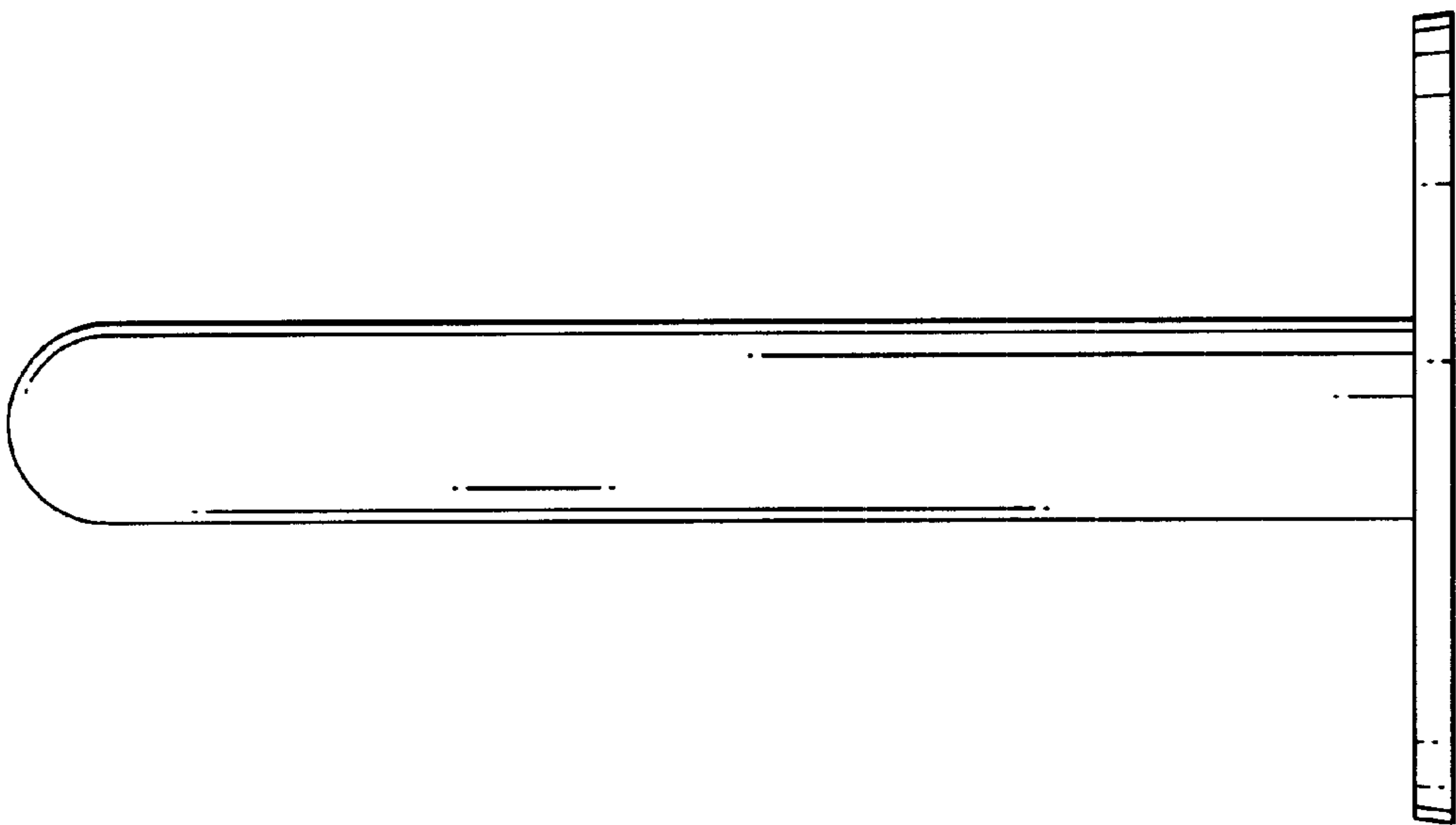


FIG. 5

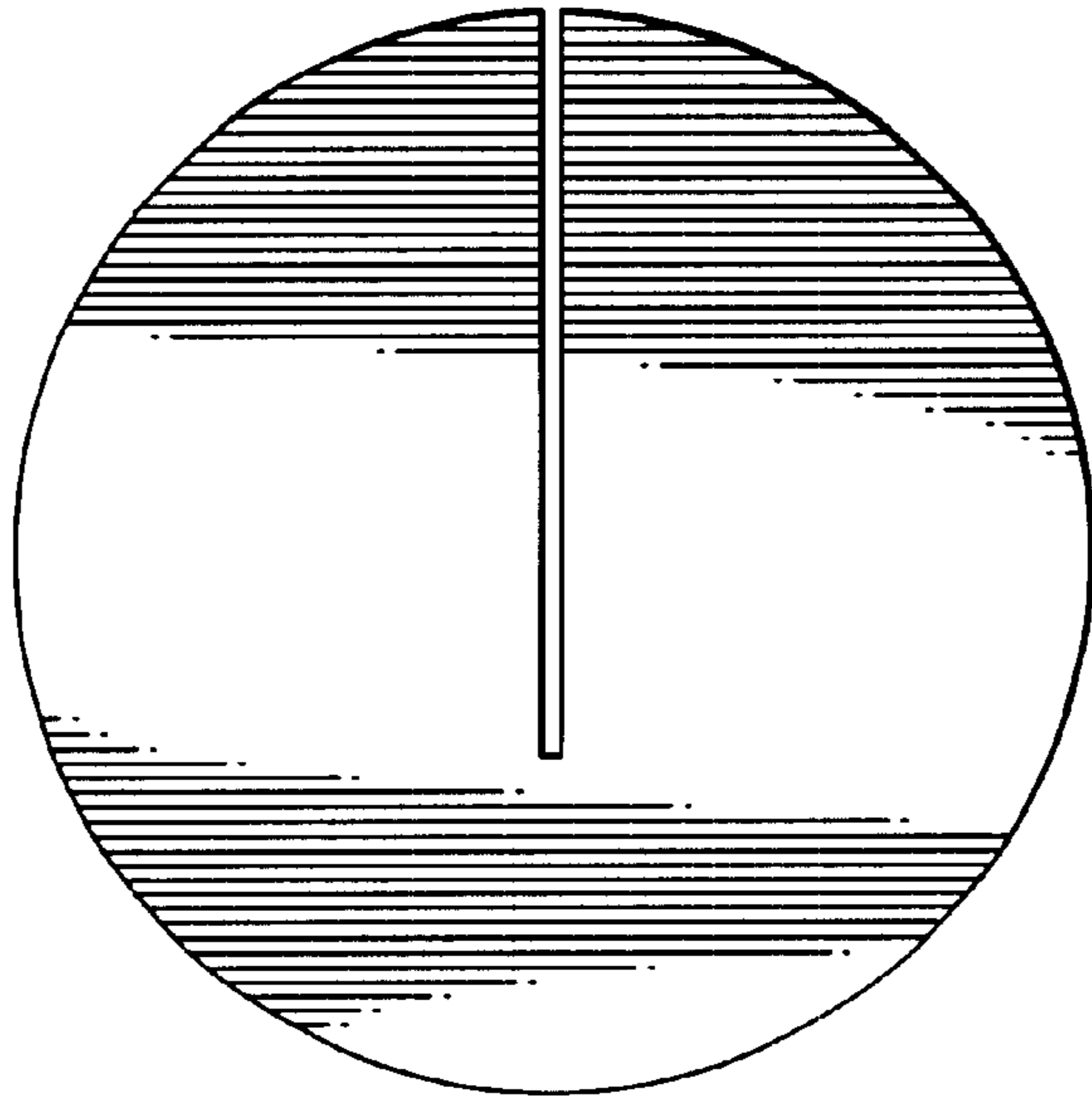


FIG. 6