



US00D455965S

(12) **United States Design Patent**  
**de Baschmakoff**

(10) **Patent No.:** **US D455,965 S**

(45) **Date of Patent:** **\*\* Apr. 23, 2002**

- (54) **COSMETIC CONTAINER**
- (75) Inventor: **Thierry de Baschmakoff**, Paris (FR)
- (73) Assignee: **Salvatore Ferragamo Italia S.p.A.**,  
Florence (IT)
- (\*\*) Term: **14 Years**
- (21) Appl. No.: **29/101,661**
- (22) Filed: **Mar. 9, 1999**
- (30) **Foreign Application Priority Data**  
Sep. 10, 1998 (IT) ..... FI9800064
- (51) **LOC (7) Cl.** ..... **09-01**
- (52) **U.S. Cl.** ..... **D9/560**
- (58) **Field of Search** ..... D9/516, 520, 546,  
D9/559, 560, 561, 566, 567, 572-575;  
D28/91, 76; 215/382
- (56) **References Cited**  
**U.S. PATENT DOCUMENTS**  
D157,498 S \* 2/1950 Kestenbaum ..... D9/560  
D168,932 S \* 3/1953 Frydlender ..... D9/529

- D171,516 S \* 2/1954 Otto ..... D9/560
- D327,958 S \* 7/1992 Grandesso et al. .... D28/91
- D328,432 S \* 8/1992 O'Reilly ..... D9/546
- D397,518 S \* 8/1998 Kudo ..... D28/91
- D412,283 S \* 7/1999 De Baschmakoff ..... D9/544

\* cited by examiner

*Primary Examiner*—Ted Shooman  
*Assistant Examiner*—C. Tuttle  
(74) *Attorney, Agent, or Firm*—Ladas & Parry

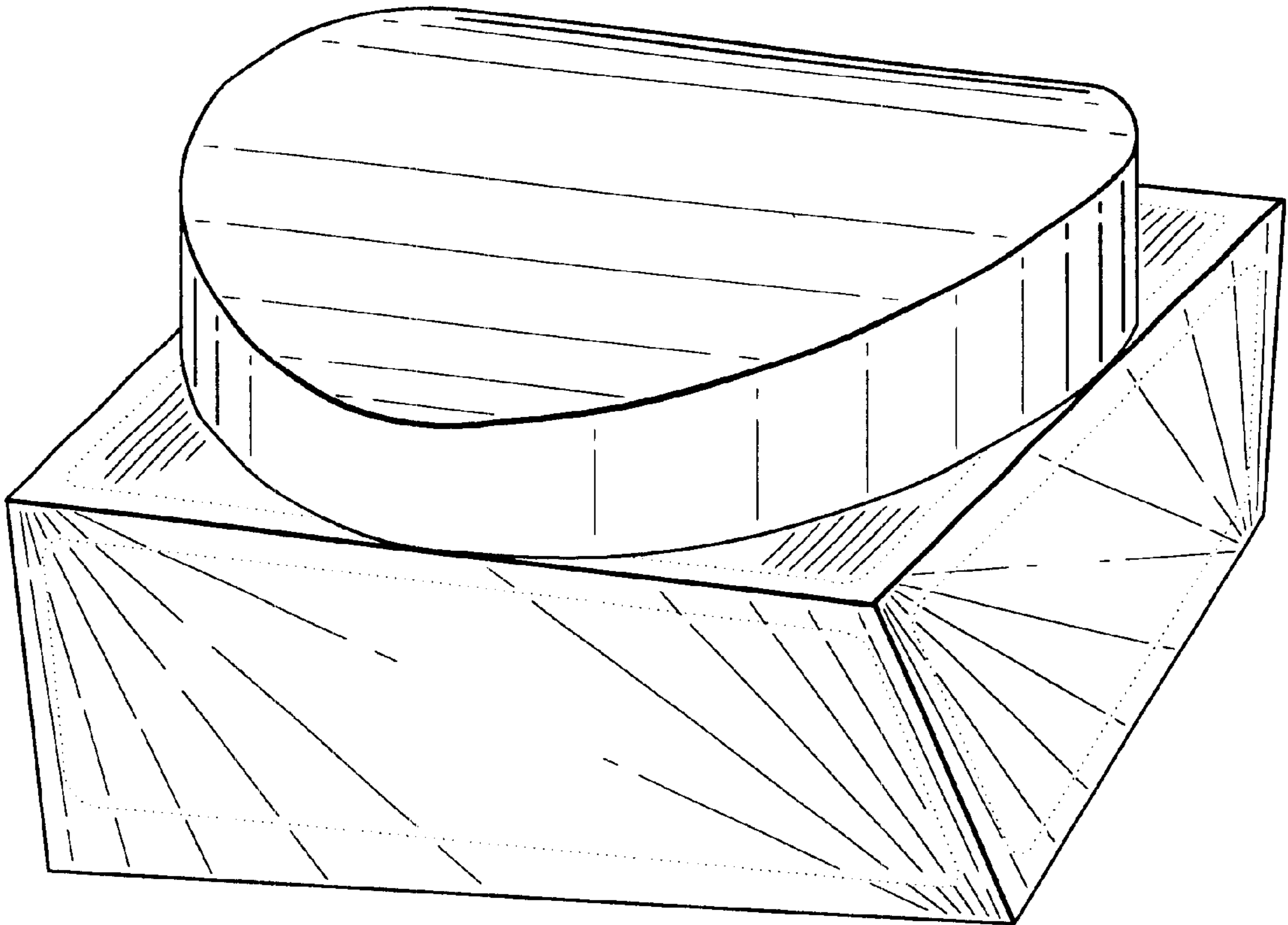
(57) **CLAIM**

The ornamental design for a cosmetic container, as shown and described.

**DESCRIPTION**

FIG. 1 is a perspective view of the container according to the design;  
FIG. 2 is a top plan view thereof;  
FIG. 3 is an elevational view of the left or right side of FIG. 1; and,  
FIG. 4 is an elevational view of the front or rear of FIG. 1. The dotted lines on the drawing represent the interior outlines of the design visible through translucent surfaces.

**1 Claim, 2 Drawing Sheets**



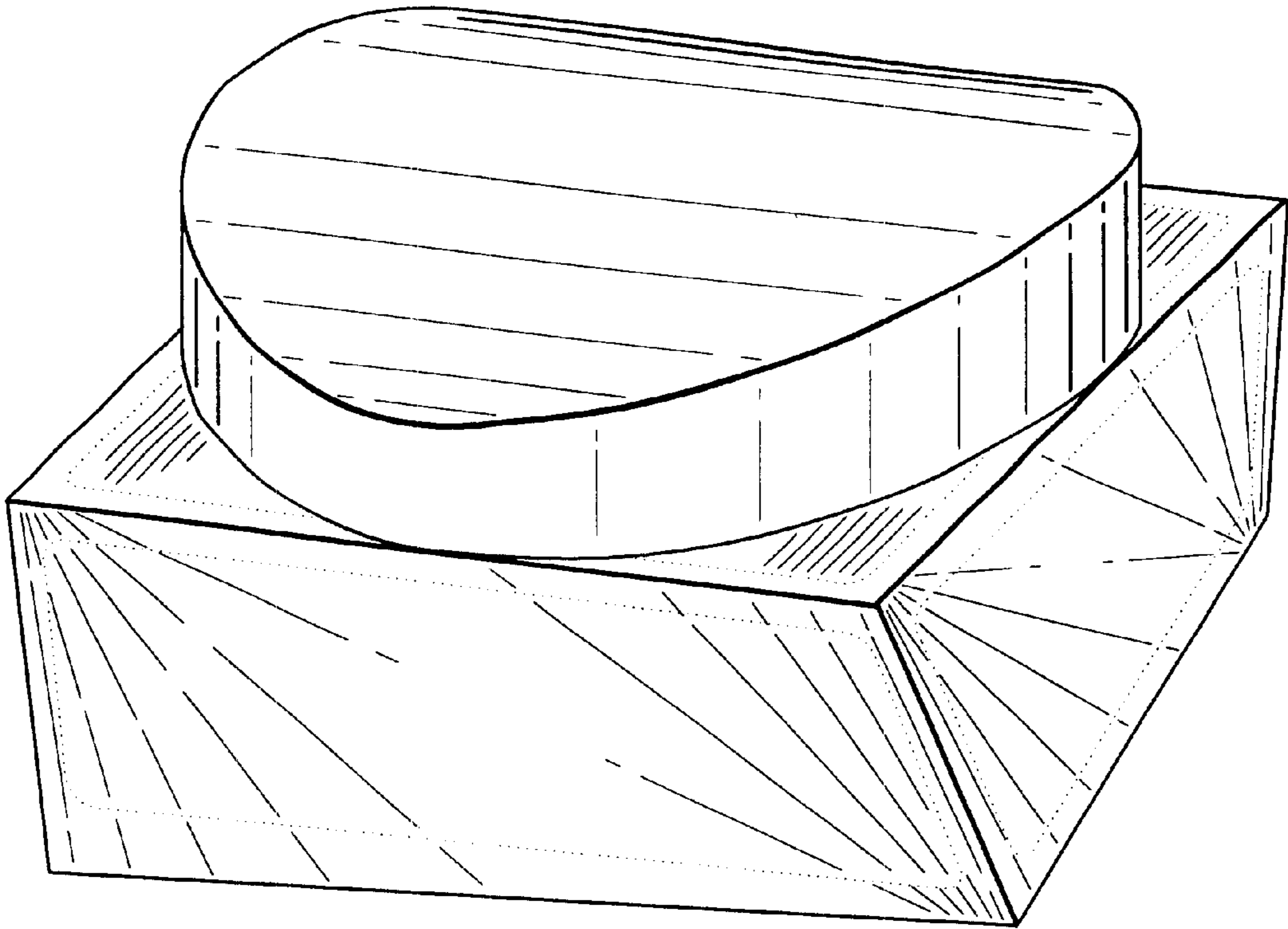


FIG. 1

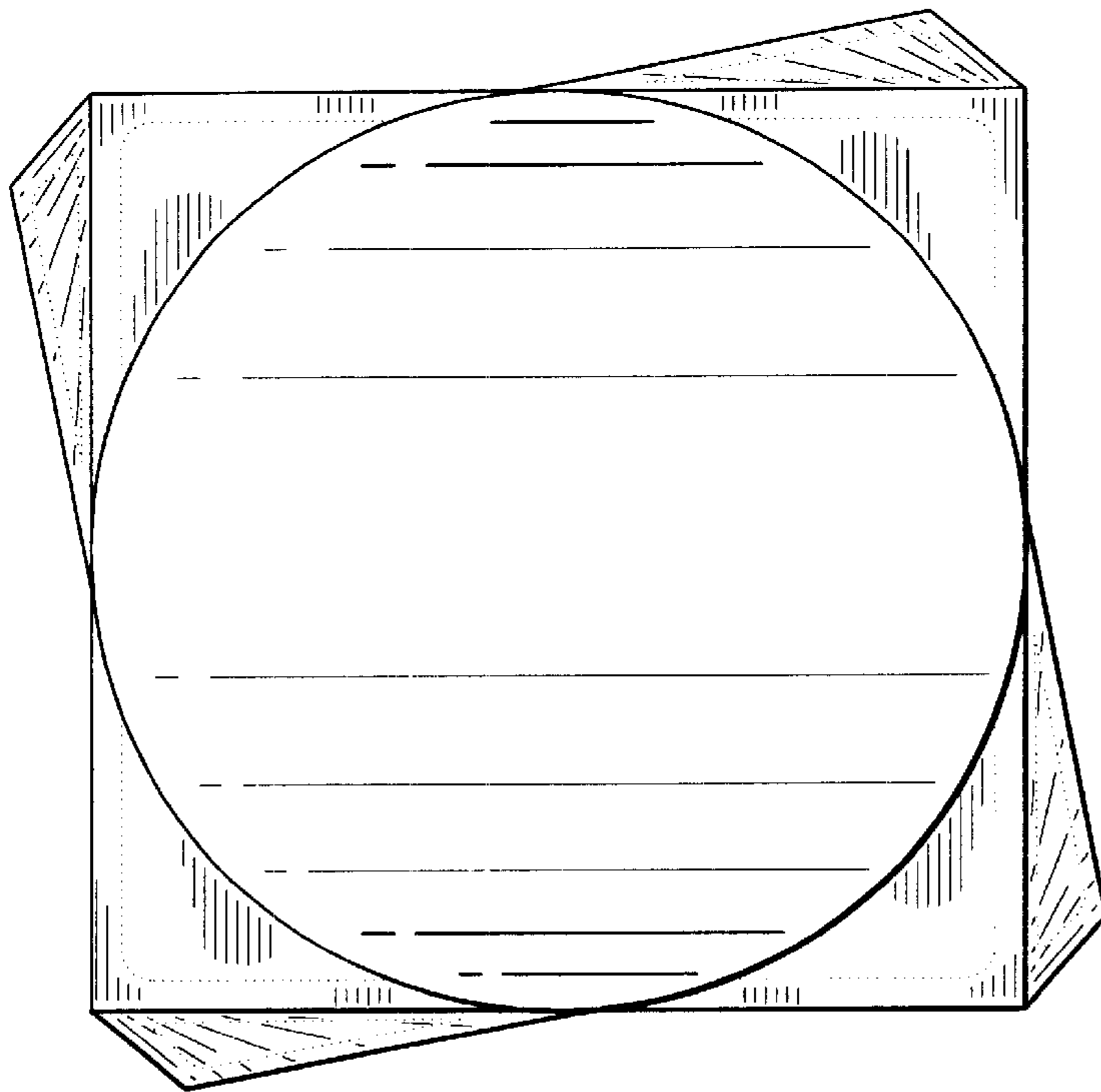


FIG. 2

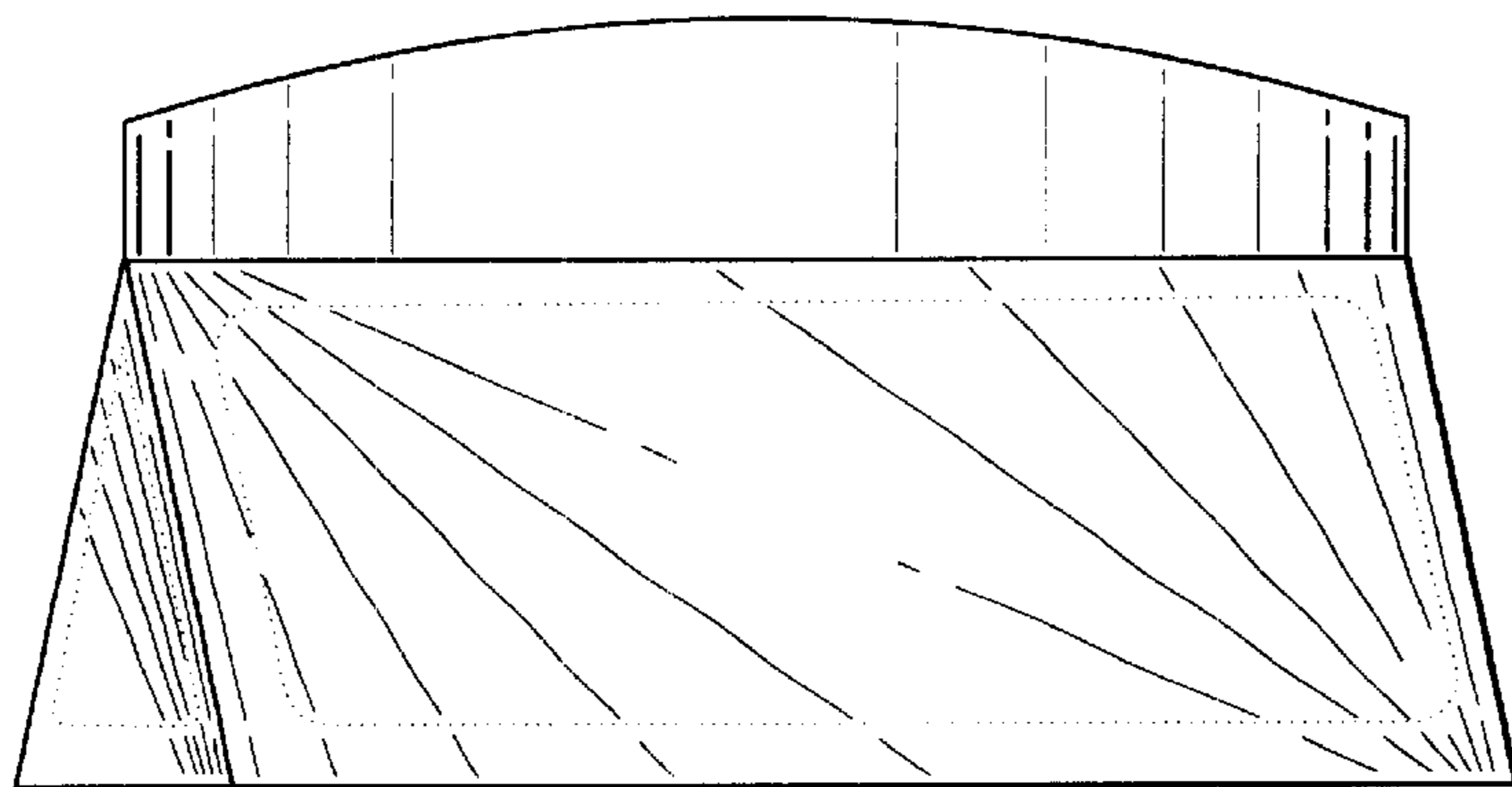


FIG. 3

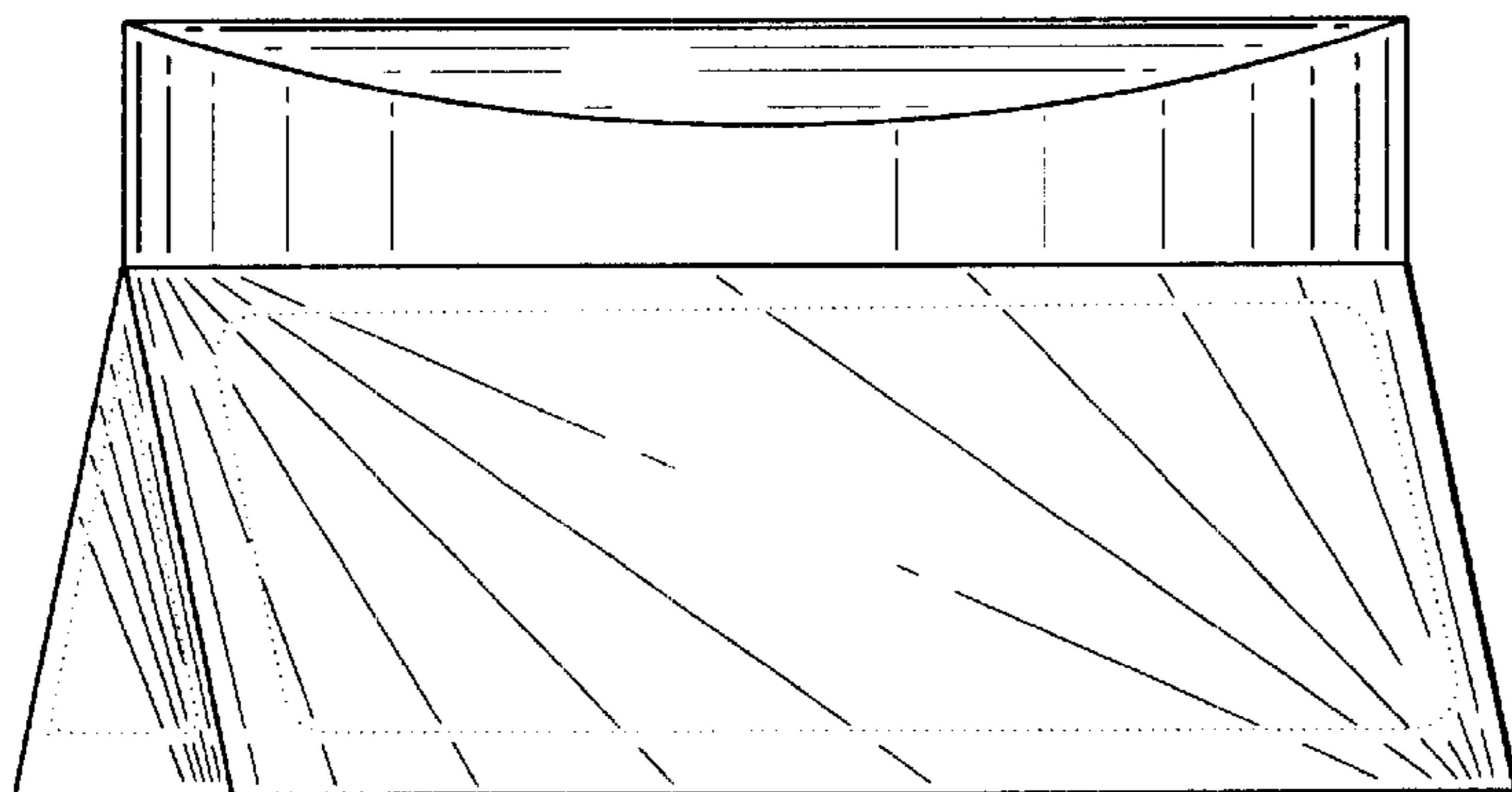


FIG. 4