



US00D455963S

(12) **United States Design Patent**  
**Schmitt**

(10) **Patent No.:** **US D455,963 S**

(45) **Date of Patent:** **\*\* Apr. 23, 2002**

(54) **PICKLE JAR**

(75) Inventor: **Horst Schmitt, Saarbrücken (DE)**

(73) Assignee: **TMG Stefalex Handels AG, Zug (CH)**

(\*\*) Term: **14 Years**

(21) Appl. No.: **29/122,765**

(22) Filed: **May 3, 2000**

(30) **Foreign Application Priority Data**

Nov. 3, 1999 (DE) ..... 499 10 340

(51) **LOC (7) Cl.** ..... **09-01**

(52) **U.S. Cl.** ..... **D9/516**

(58) **Field of Search** ..... D9/337, 341, 500,  
D9/504, 516, 529, 549, 574; 206/216, 546,  
547; 220/4.01, 4.27, 23.2, 23.4, 23.6

(56) **References Cited**

**U.S. PATENT DOCUMENTS**

2,326,414 A \* 8/1943 Thompson ..... 220/4.27  
3,048,331 A \* 8/1962 Roos et al. .... 229/5.5

4,162,010 A \* 7/1979 Hovsepian ..... 206/229  
4,883,935 A \* 11/1989 Fairchild ..... 219/734  
5,415,309 A \* 5/1995 Wang ..... 220/4.27  
D372,535 S \* 8/1996 DiCianna ..... D24/176  
6,009,885 A \* 1/2000 Nam ..... 132/293

\* cited by examiner

*Primary Examiner*—Ted Shooman

*Assistant Examiner*—Selina Sikder

(74) *Attorney, Agent, or Firm*—Frishauf, Holtz, Goodman,  
Langer & Chick, P.C.

(57) **CLAIM**

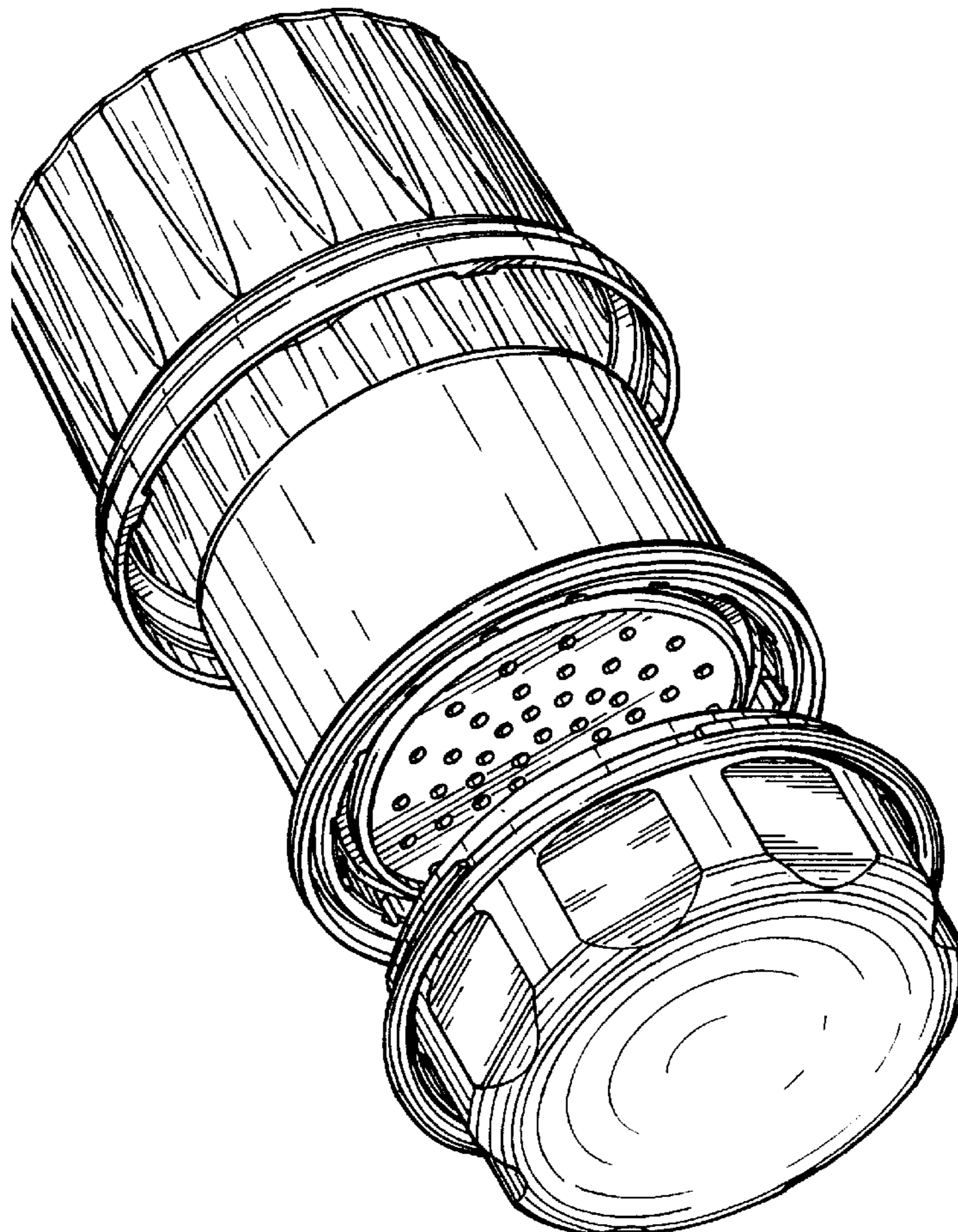
The ornamental design for a pickle jar, as shown and described.

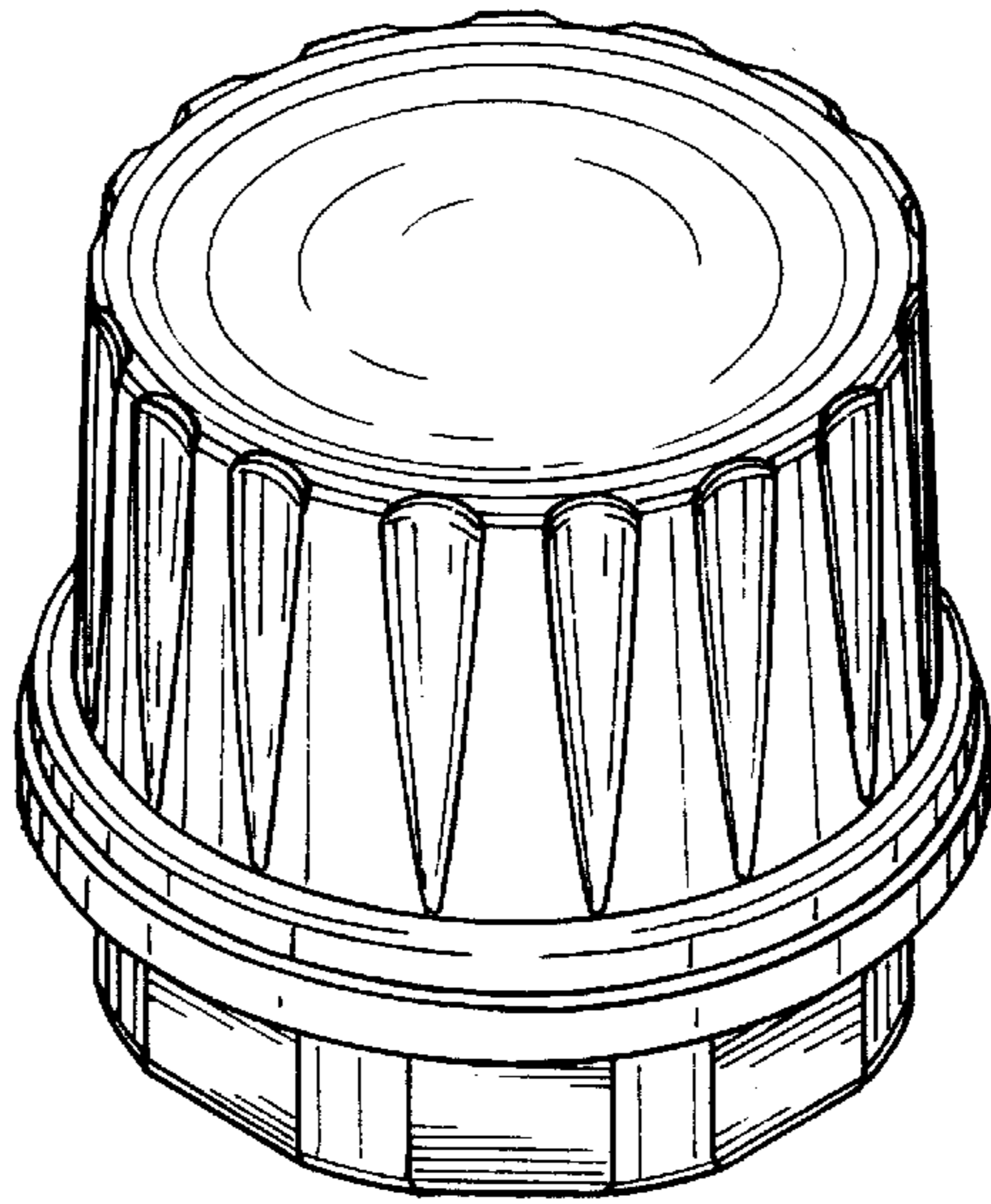
**DESCRIPTION**

FIG. 1 is a perspective view of the pickle jar showing my new design looking down at it from the top, and the unseen circumferential part being identical to the part that is visible; and,

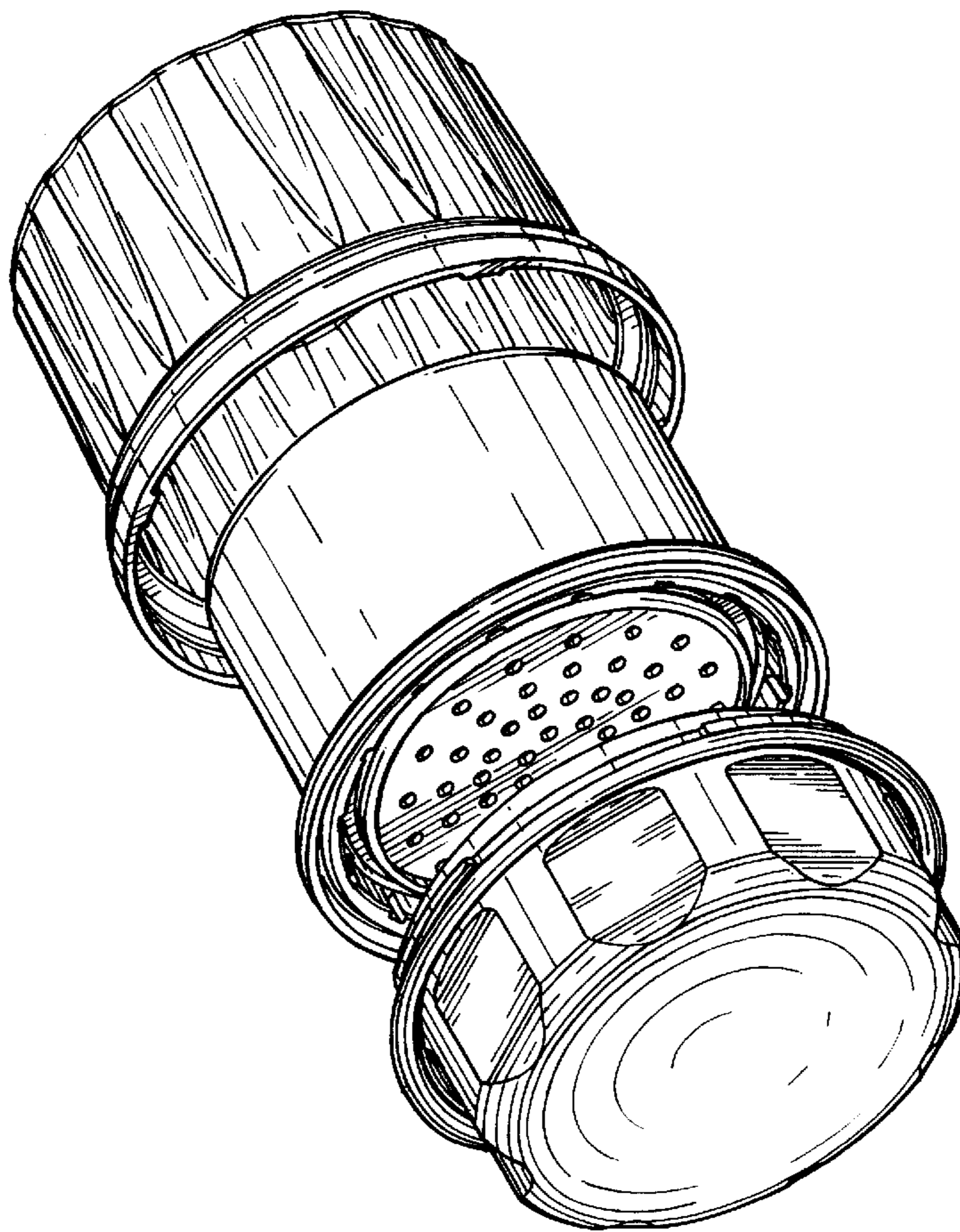
FIG. 2 is an exploded perspective view thereof looking upward from its bottom.

**1 Claim, 1 Drawing Sheet**





*Fig. 1*



*Fig. 2*