



US00D455958S

(12) **United States Design Patent**
Burrus

(10) **Patent No.:** **US D455,958 S**

(45) **Date of Patent:** **** Apr. 23, 2002**

(54) **PACKAGING**

(75) Inventor: **Gaëtan Burrus**, Paris (FR)

(73) Assignee: **Editions Play Bac**, Paris (FR)

(**) Term: **14 Years**

(21) Appl. No.: **29/131,901**

(22) Filed: **Oct. 31, 2000**

(51) **LOC (7) Cl.** **09-03**

(52) **U.S. Cl.** **D9/433**

(58) **Field of Search** D9/433, 414, 341,
D9/345, 346, 456; 220/4.04, 6, 23.2, 23.4,
23.6, 23.8, 500, 503, 520-522, 528, 553-555,
557, 62; 229/120.02, 120.06, 120.08, 120.09,
120.11, 120.29, 122

(56) **References Cited**

U.S. PATENT DOCUMENTS

1,279,190	A	*	9/1918	Werbitski	
1,328,524	A	*	1/1920	Knapp	
3,166,229	A	*	1/1965	Sherman et al.	229/27
3,829,132	A	*	8/1974	Willieme	281/31
3,921,895	A	*	11/1975	Ziche	206/486

D261,481	S	*	10/1981	Haubert	D9/341
4,294,397	A	*	10/1981	Kohler	229/27
4,307,806	A	*	12/1981	Haubert	206/232
6,155,415	A	*	12/2000	Runyan	206/279

* cited by examiner

Primary Examiner—Ted Shooman

Assistant Examiner—Daniel Bui

(74) *Attorney, Agent, or Firm*—Sughrue Mion, PLLC

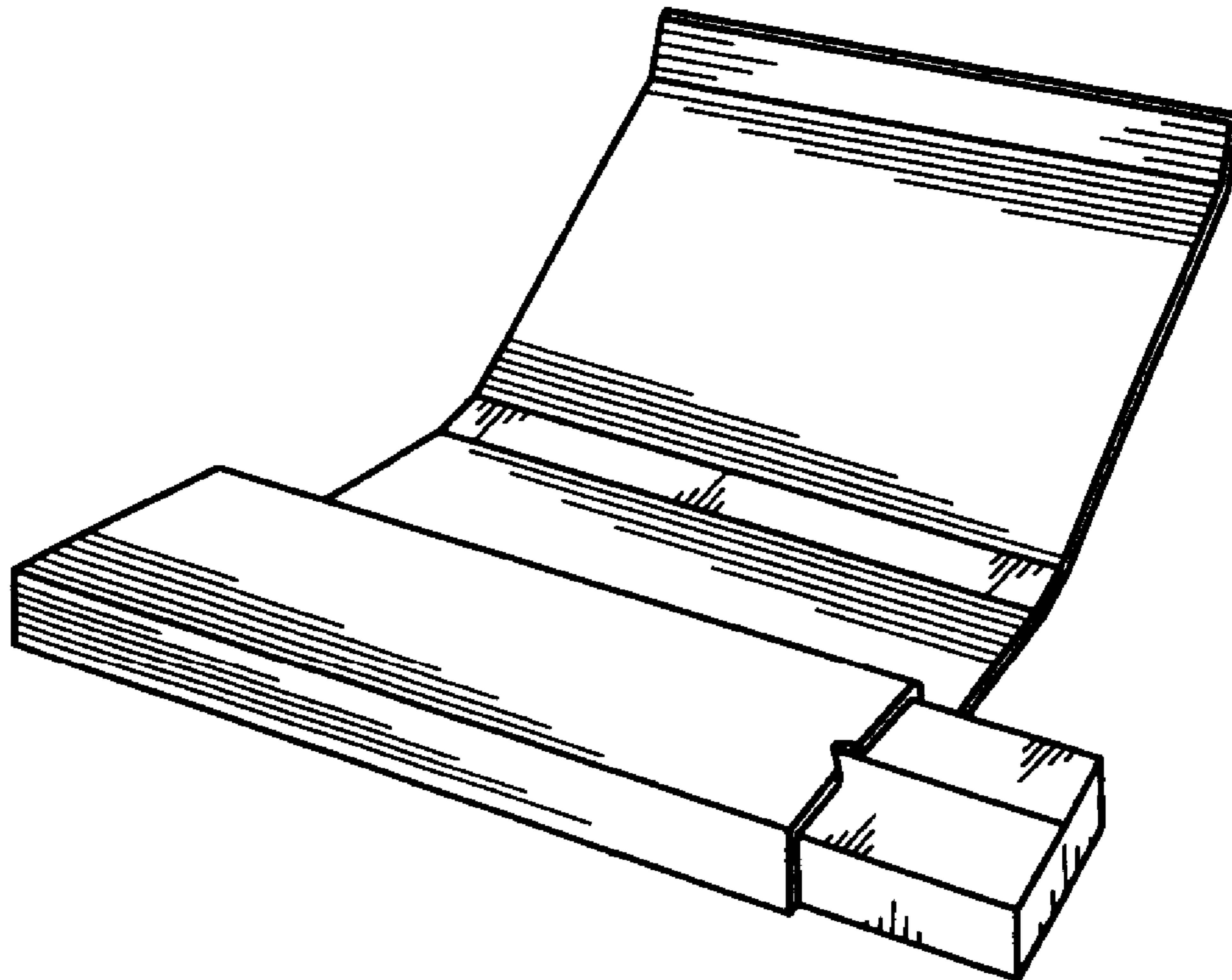
(57) **CLAIM**

The ornamental design for a packaging, as shown and described.

DESCRIPTION

FIG. 1 is a perspective view of the top, side and end of the packaging;
FIG. 2 is a perspective view of the packaging in a semi-opened condition;
FIG. 3 is a perspective view of the packaging in a semi-opened condition;
FIG. 4 is a perspective view of the packaging in an opened condition; and,
FIG. 5 is an enlarged end view of FIG. 1 in a closed position.

1 Claim, 1 Drawing Sheet



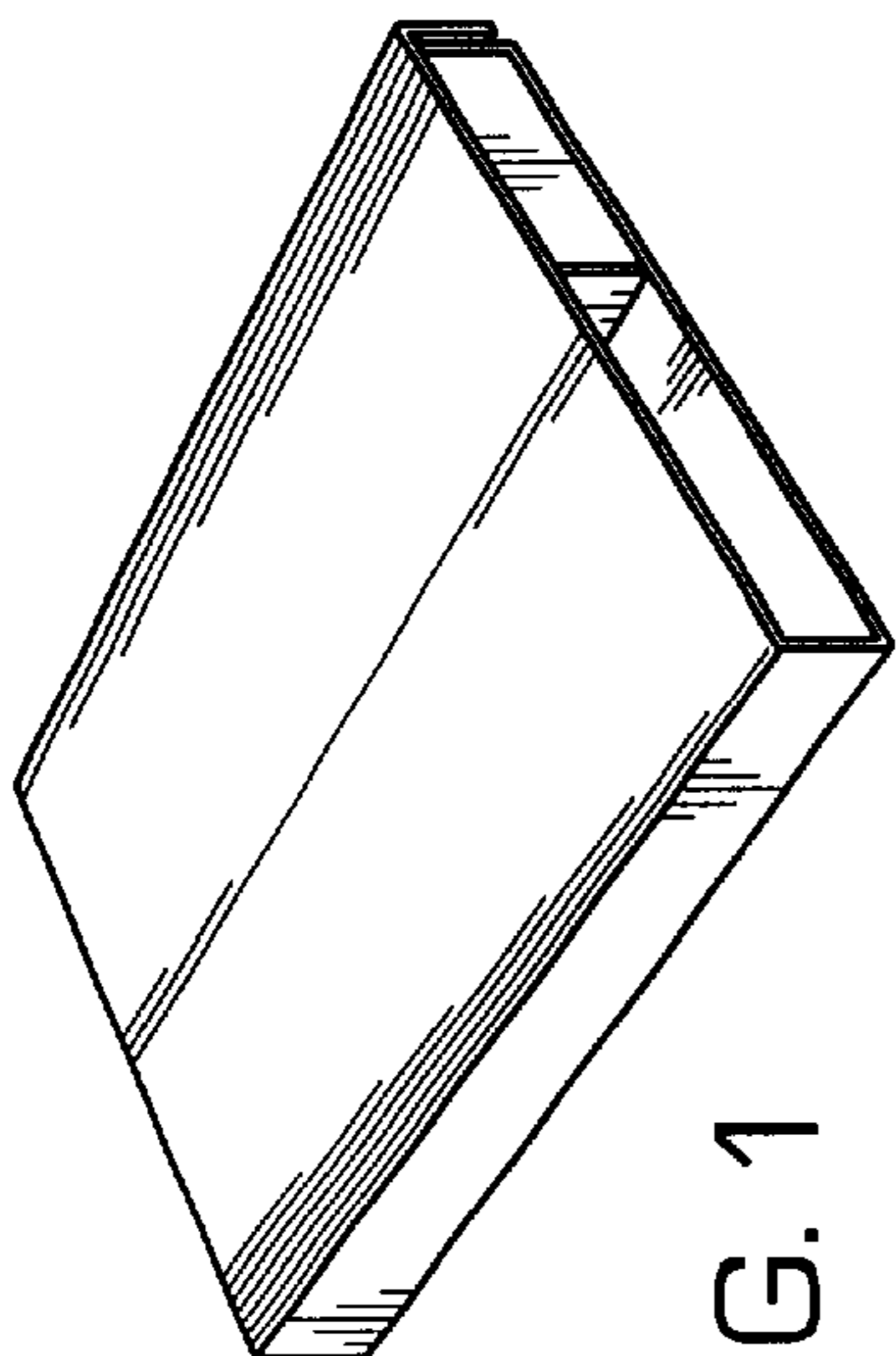


FIG. 1

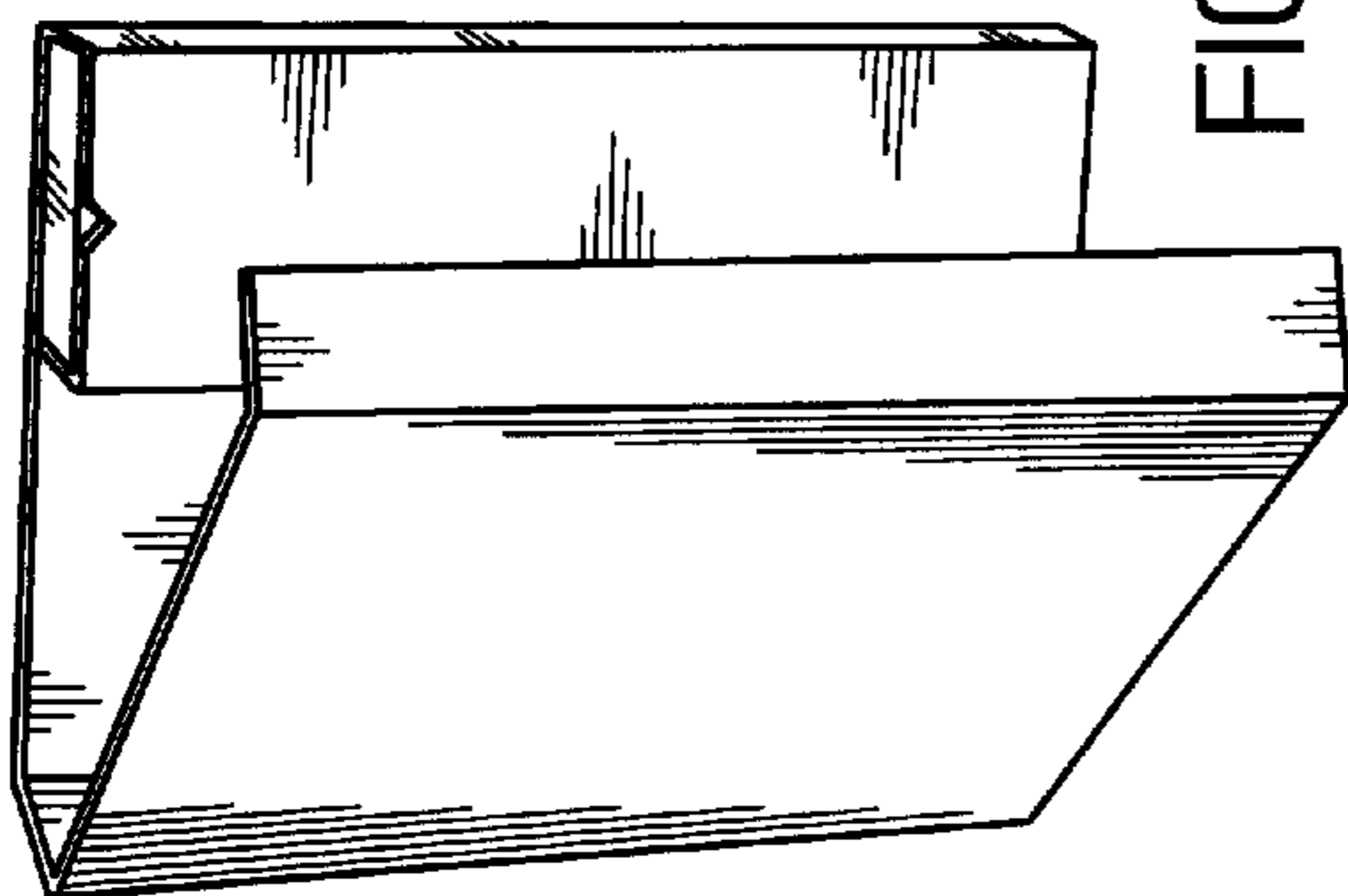


FIG. 2

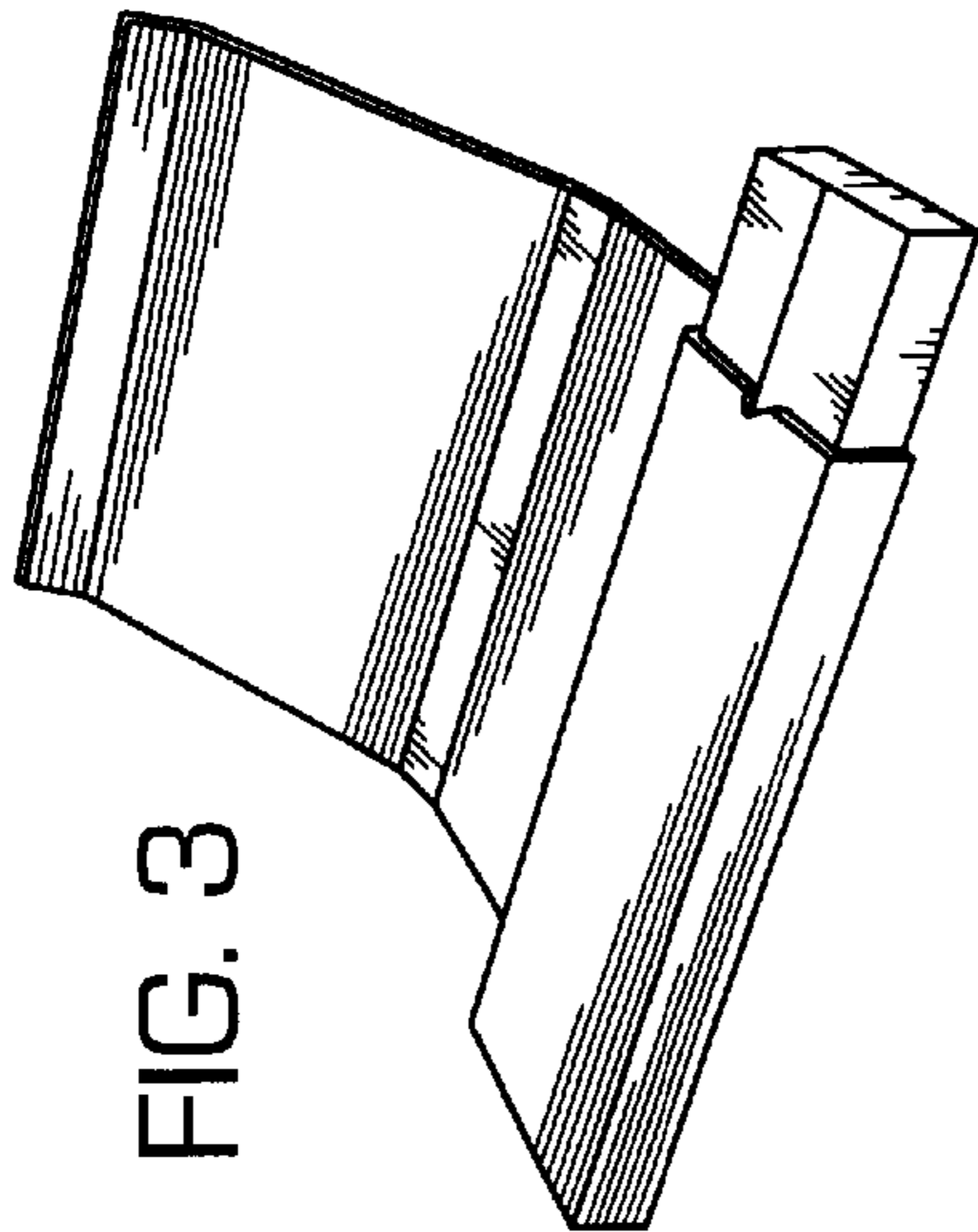


FIG. 3

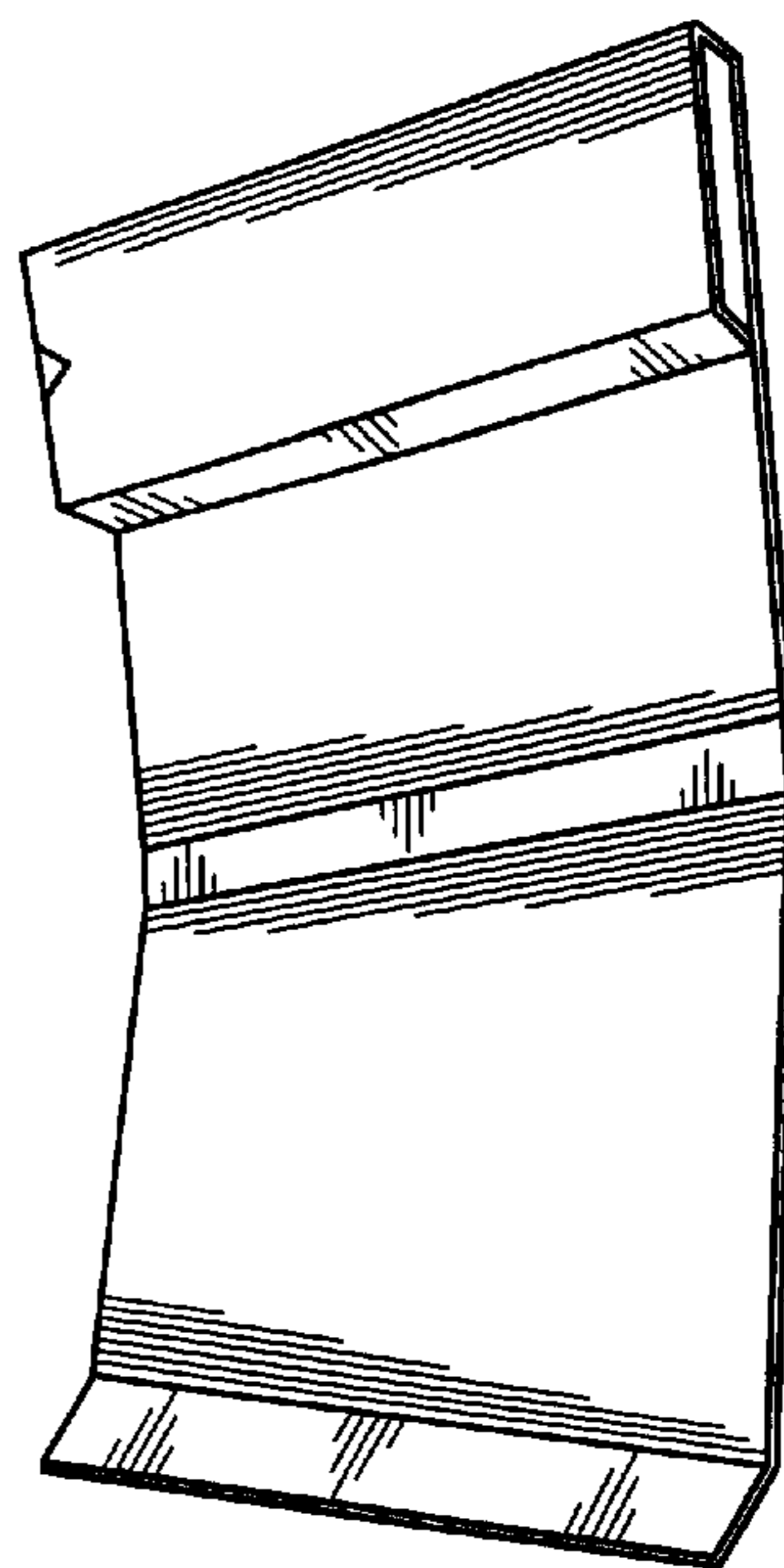


FIG. 4

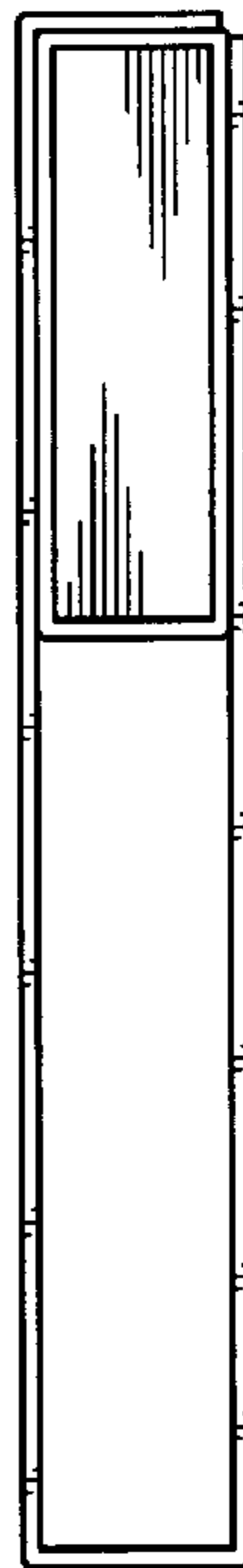


FIG. 5