



US00D455953S

(12) **United States Design Patent**  
Assargren et al.

(10) **Patent No.:** **US D455,953 S**

(45) **Date of Patent:** **\*\* Apr. 23, 2002**

- (54) **BLISTER PACK**
- (75) Inventors: **Christian Assargren**, Bromma; **Claes Friberg**, Haninge, both of (SE)
- (73) Assignee: **AstraZeneca AB**, Sodertalje (SE)
- (\*\*) Term: **14 Years**
- (21) Appl. No.: **29/139,900**
- (22) Filed: **Apr. 6, 2001**

D207,676 S	5/1967	Walter	.....	D9/345
3,743,084 A	7/1973	Douglas	.....	206/532
4,340,141 A	7/1982	Fischer	.....	206/531
D320,930 S	10/1991	Richards	.....	D9/345
5,109,984 A	* 5/1992	Romick	.....	206/531
5,323,907 A	* 6/1994	Kalvelage	.....	206/531
5,346,069 A	* 9/1994	Intini	.....	206/531
D359,900 S	7/1995	Hawthorne	.....	D9/346
D387,977 S	12/1997	Kallgren	.....	D9/348
D414,106 S	9/1999	Anderson	.....	D9/341

\* cited by examiner

**Related U.S. Application Data**

- (62) Division of application No. 29/064,406, filed on Dec. 31, 1996, now Pat. No. Des. 444,379.

(30) **Foreign Application Priority Data**

Jul. 1, 1996	(SE)	.....	96-1470
Jul. 1, 1996	(SE)	.....	96-1471
Jul. 1, 1996	(SE)	.....	96-1472
Jul. 1, 1996	(SE)	.....	96-1473
Jul. 1, 1996	(SE)	.....	96-1475
Jul. 1, 1996	(SE)	.....	96-1479
Jul. 1, 1996	(SE)	.....	96-1480

- (51) **LOC (7) Cl.** ..... **09-03**
- (52) **U.S. Cl.** ..... **D9/345**
- (58) **Field of Search** ..... D9/339, 341, 345-348, D9/433; 206/469, 528-532, 538-539, 820, 828

(56) **References Cited**

**U.S. PATENT DOCUMENTS**

3,033,355 A	5/1962	Sickle	.....	206/539
-------------	--------	--------	-------	---------

*Primary Examiner*—Nanda Bondade  
(74) *Attorney, Agent, or Firm*—White & Case LLP

(57) **CLAIM**

The ornamental design for a blister pack, as shown.

**DESCRIPTION**

FIG. 1 is a top plan view of a blister back in folded condition showing our new design;  
 FIG. 2 is a right side elevational view thereof;  
 FIG. 3 is a left side elevational view thereof;  
 FIG. 4 is a front elevational view thereof;  
 FIG. 5 is a rear elevational view thereof;  
 FIG. 6 is a bottom plan view thereof;  
 FIG. 7 is a top perspective view thereof;  
 FIG. 8 is a bottom perspective view thereof;  
 FIG. 9 is a top perspective view thereof, with the blister pack in unfolded condition; and,  
 FIG. 10 is a bottom perspective view thereof.

**1 Claim, 3 Drawing Sheets**

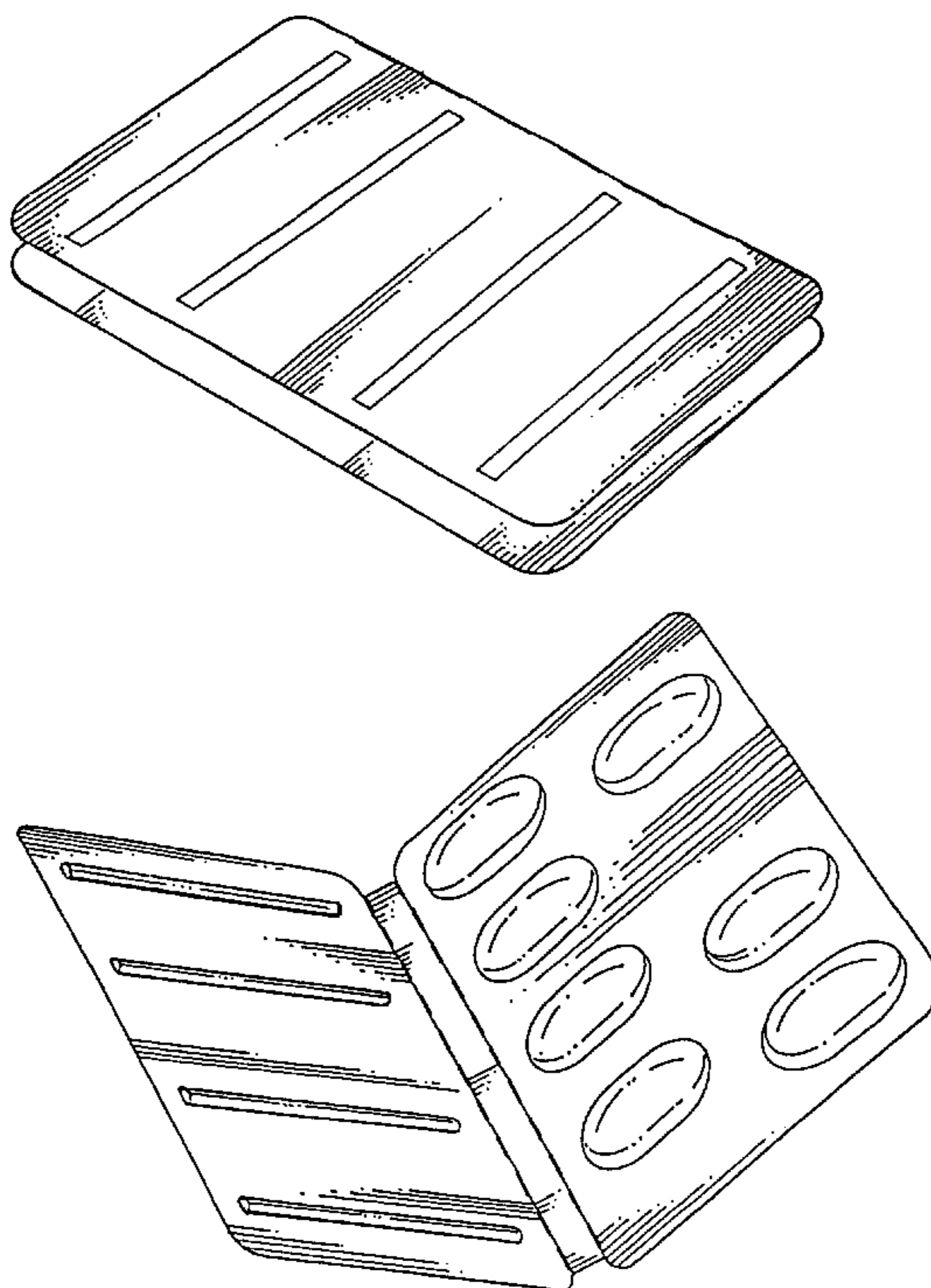


FIG. 6

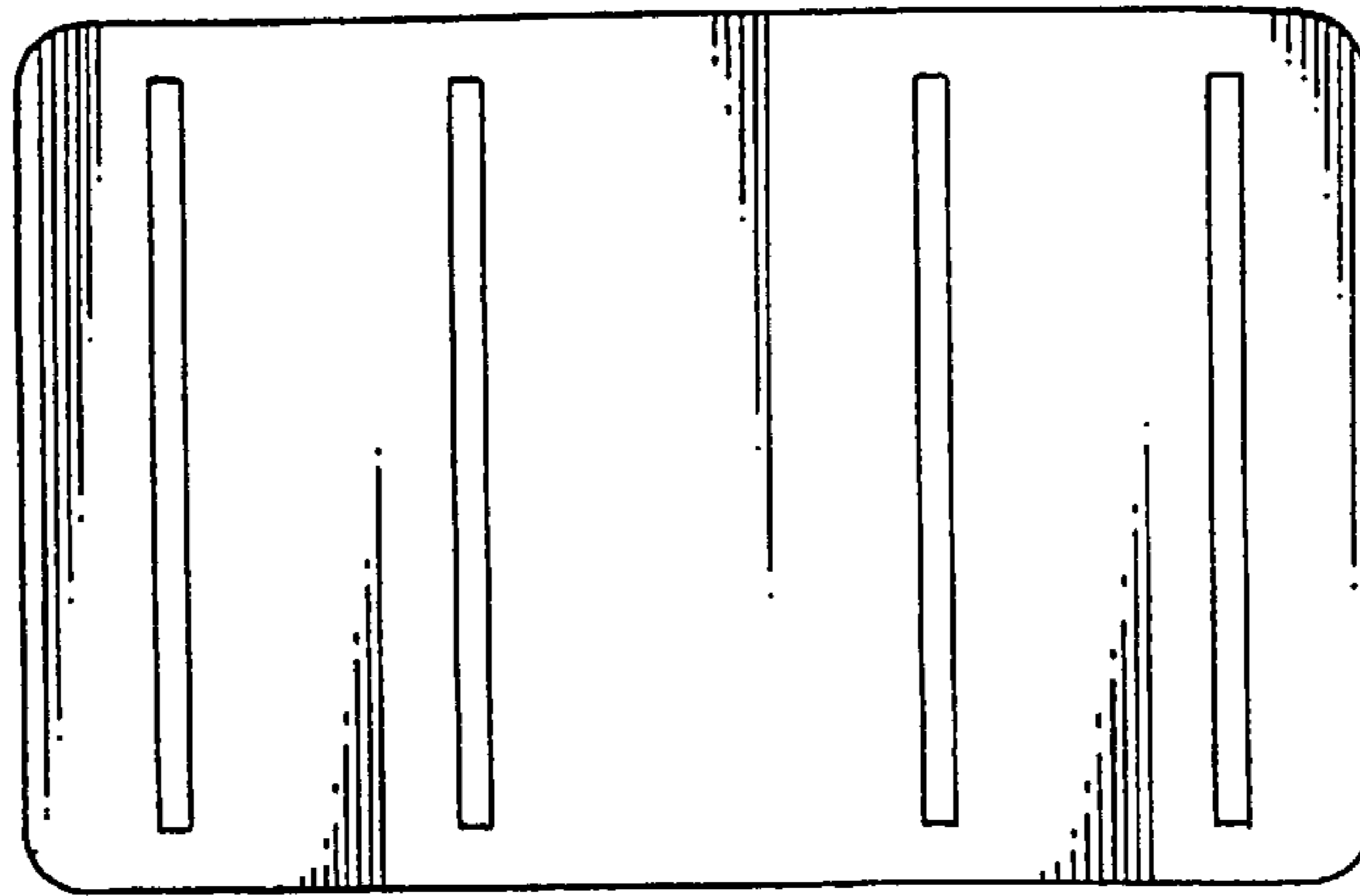


FIG. 5



FIG. 2



FIG. 1

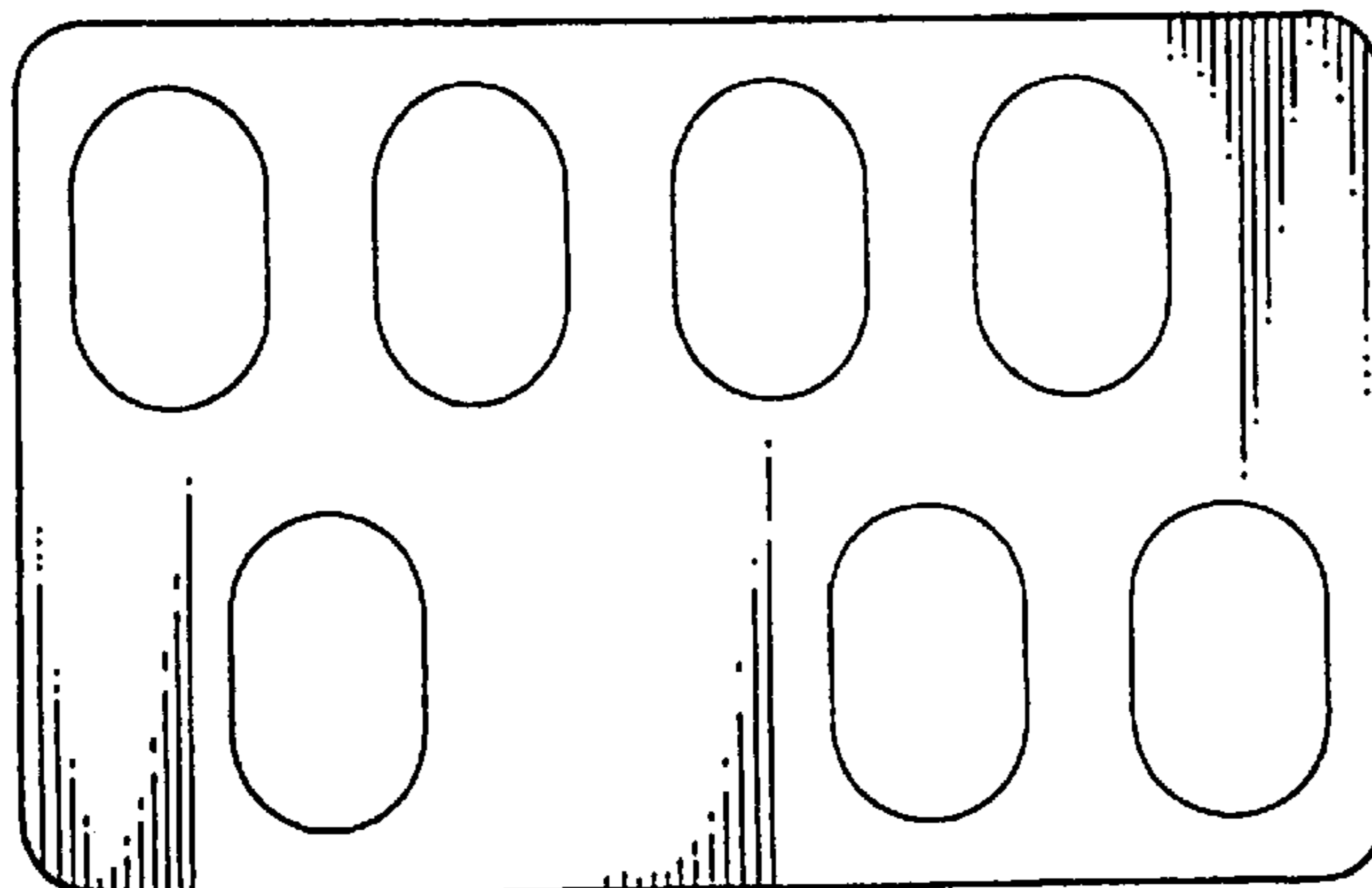


FIG. 3



FIG. 4



FIG. 7

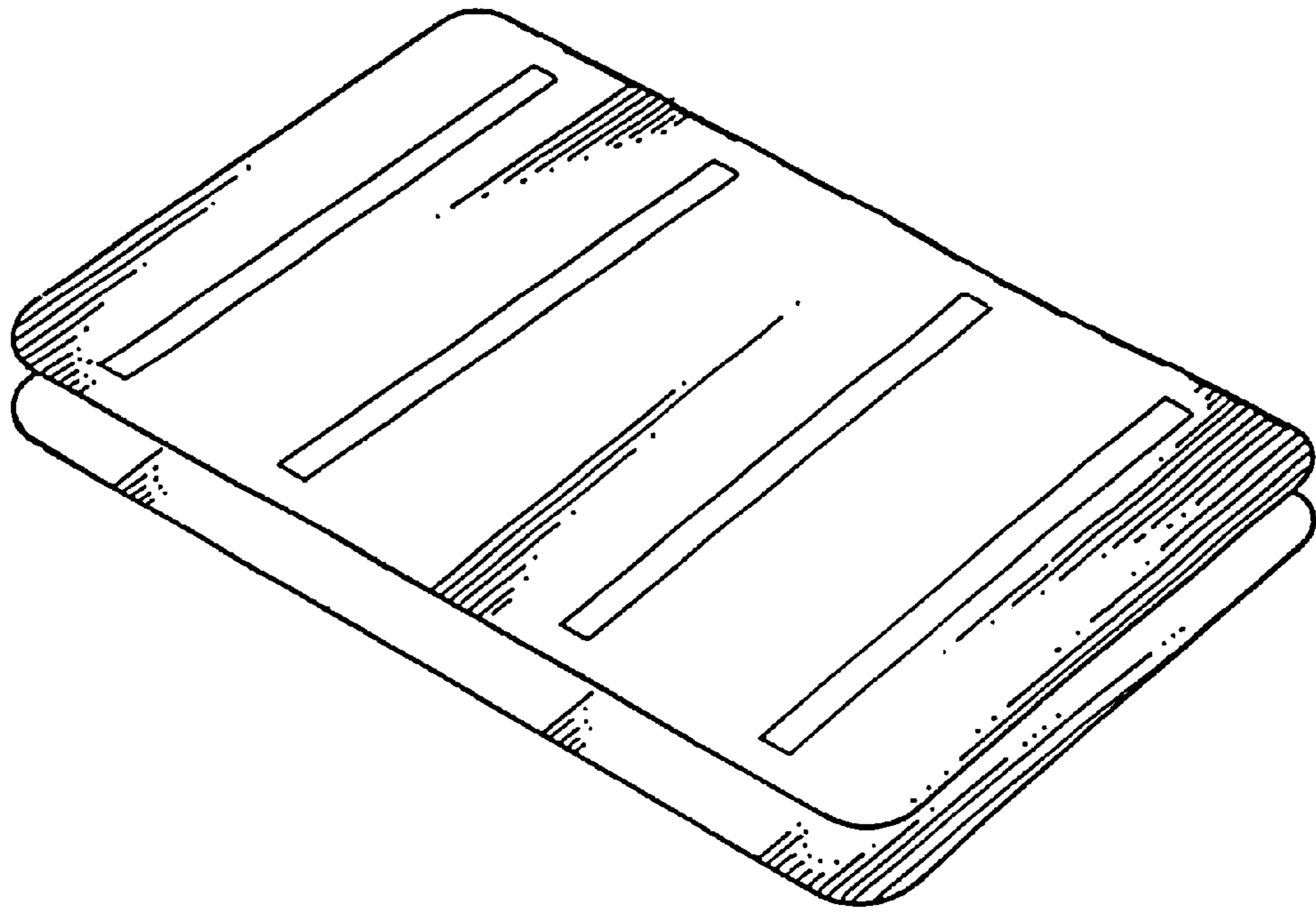


FIG. 8

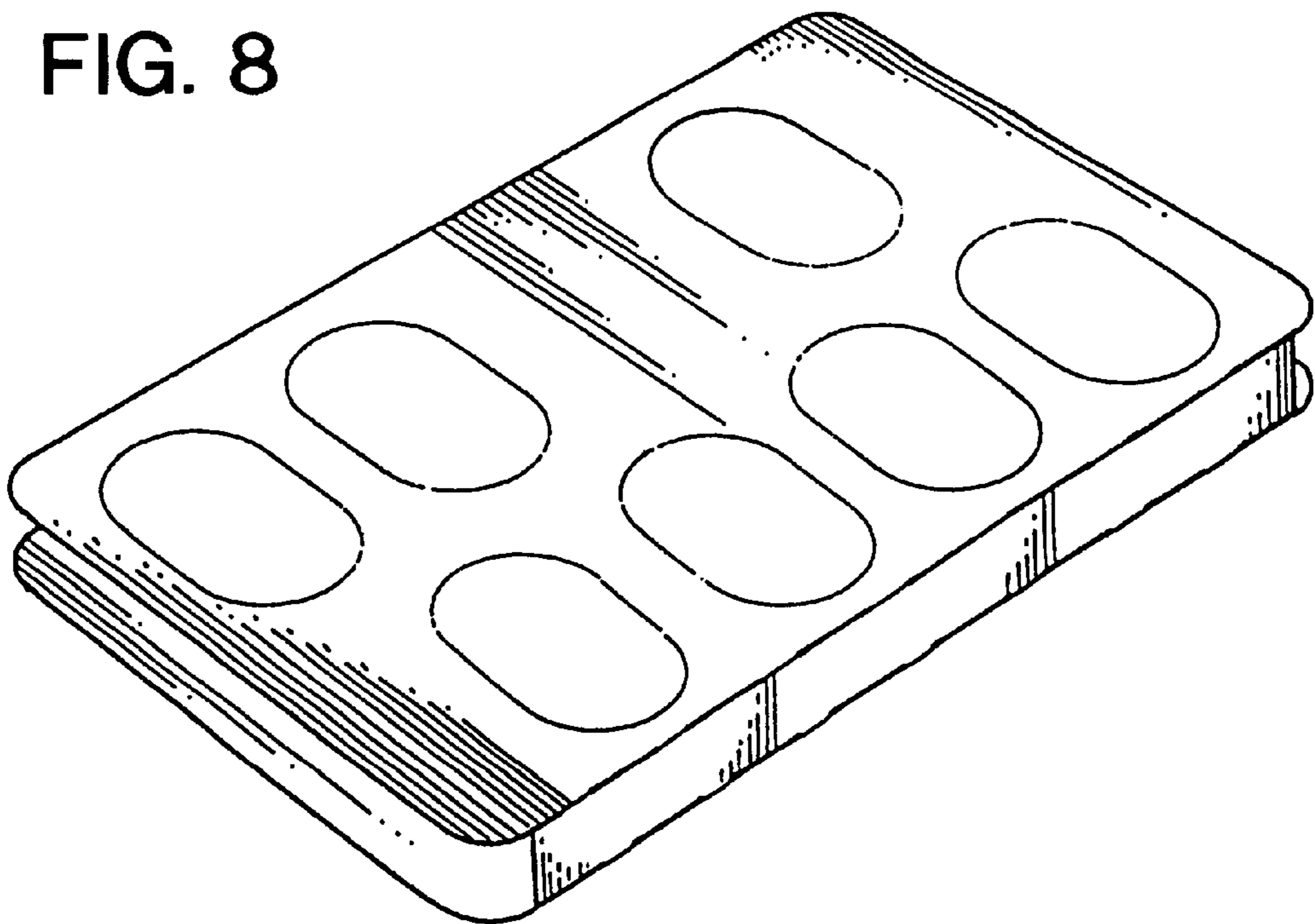


FIG. 9

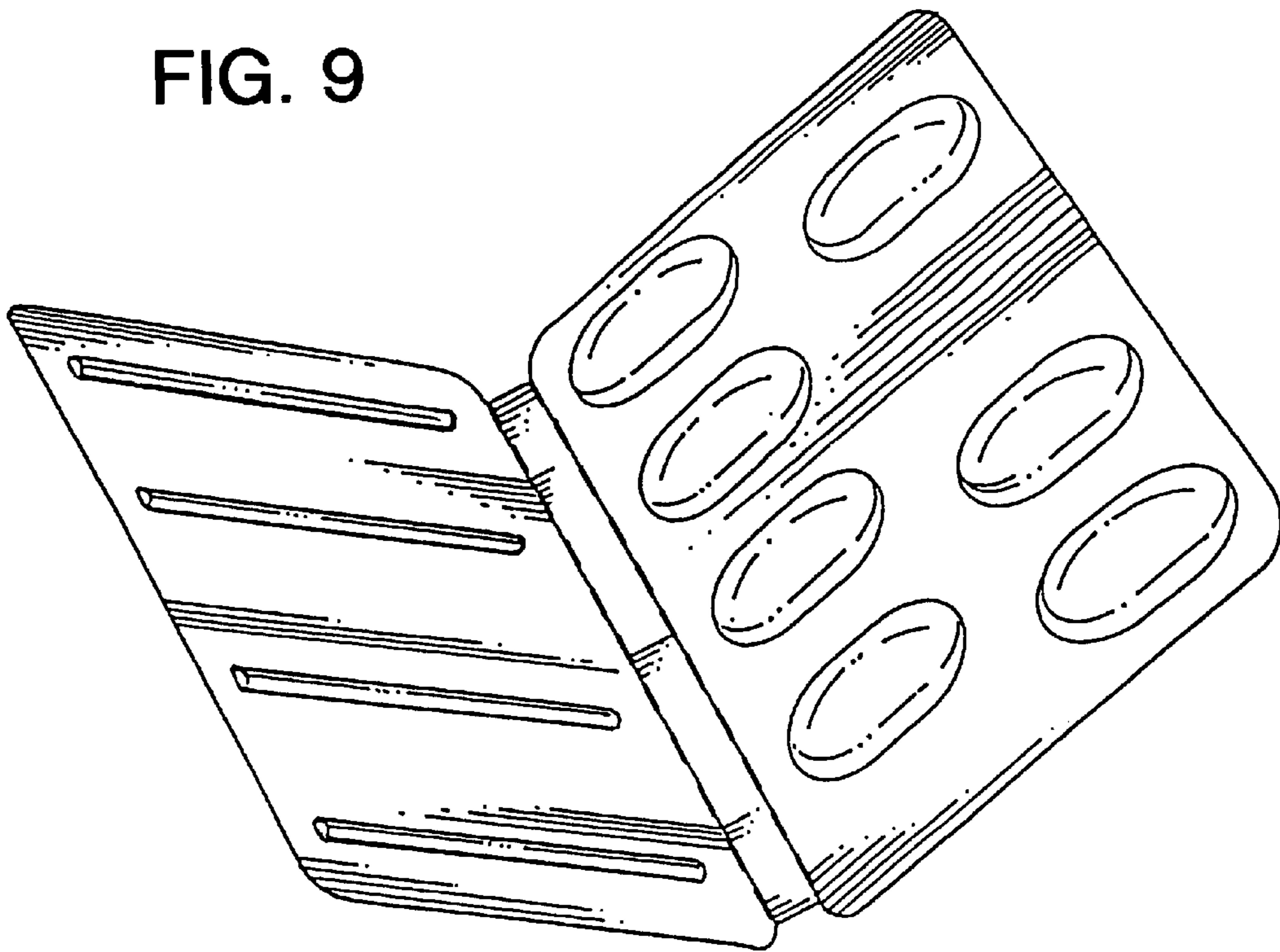


FIG. 10

