



US00D455951S

(12) **United States Design Patent**
Kozyra et al.

(10) **Patent No.:** **US D455,951 S**

(45) **Date of Patent:** **** Apr. 23, 2002**

(54) **CLIP FOR ATTACHING HEATSINKS**

6,257,533 B1 * 7/2001 Pei et al. 248/200

(75) Inventors: **Kazimierz L. Kozyra**, Olympia; **Ketan R. Shah**, Tumwater, both of WA (US)

* cited by examiner

(73) Assignee: **Intel Corporation**, Santa Clara, CA (US)

Primary Examiner—James Gandy

Assistant Examiner—Daniel Bui

(**) Term: **14 Years**

(74) *Attorney, Agent, or Firm*—Schwegman, Lundberg, Woessner & Kluth, P.A.

(21) Appl. No.: **29/124,093**

(22) Filed: **May 31, 2000**

(57) **CLAIM**

The ornamental design for a clip for attaching heatsinks, as shown and described.

(51) **LOC (7) Cl.** **08-08**

DESCRIPTION

(52) **U.S. Cl.** **D8/394; D13/179**

FIG. 1 is a right front perspective view of an embodiment of the clip for attaching heatsinks, showing the lever arm in an open position.

(58) **Field of Search** D13/179, 184;

165/80.3, 180, 185; 174/16.3; 248/200,

694; 257/706, 707, 718-722, 727, 686;

361/271, 274.3, 697, 702, 709-711, 704,

714; 439/485-487; D8/394, 395, 457, 492,

498

FIG. 2 is a rear elevation of the embodiment of FIG. 1.

FIG. 3 is a bottom plan of the embodiment of FIG. 1.

FIG. 4 is a left side elevation of the embodiment of FIG. 1.

FIG. 5 is a right front perspective showing the embodiment of FIG. 1 with its lever arm in a closed position, and a representative heatsink; and,

FIG. 6 is a front elevation of the embodiment and the heatsink shown in FIG. 5.

The components shown in phantom in FIGS. 5 and 6 do not form a part of the present invention.

(56) **References Cited**

U.S. PATENT DOCUMENTS

5,638,258 A * 6/1997 Lin 361/704

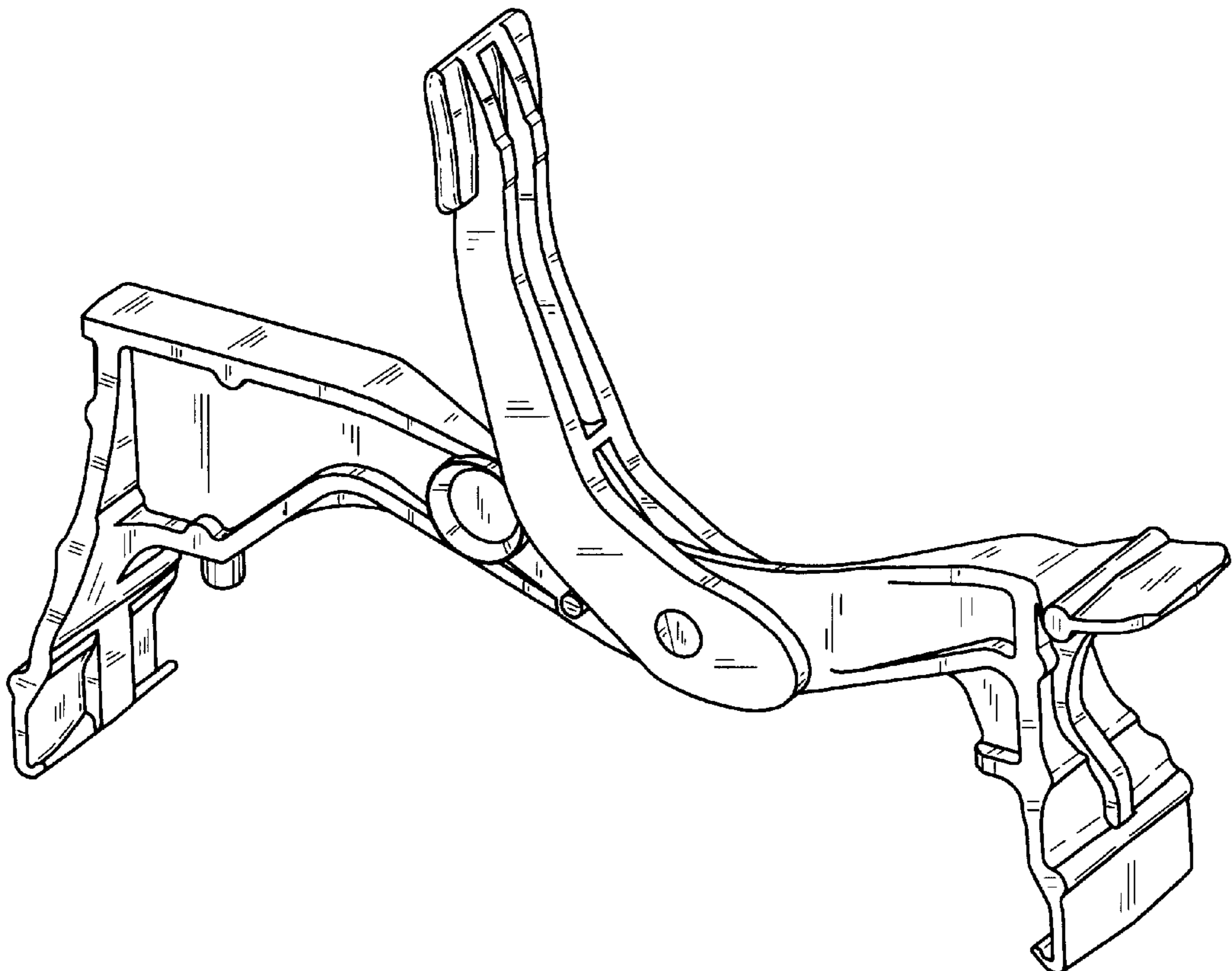
5,903,434 A * 5/1999 Chiou 361/704

6,029,330 A * 2/2000 Ratia, Jr. 29/235

6,061,239 A * 5/2000 Blomquist 361/704

6,108,207 A * 8/2000 Lee 361/704

1 Claim, 5 Drawing Sheets



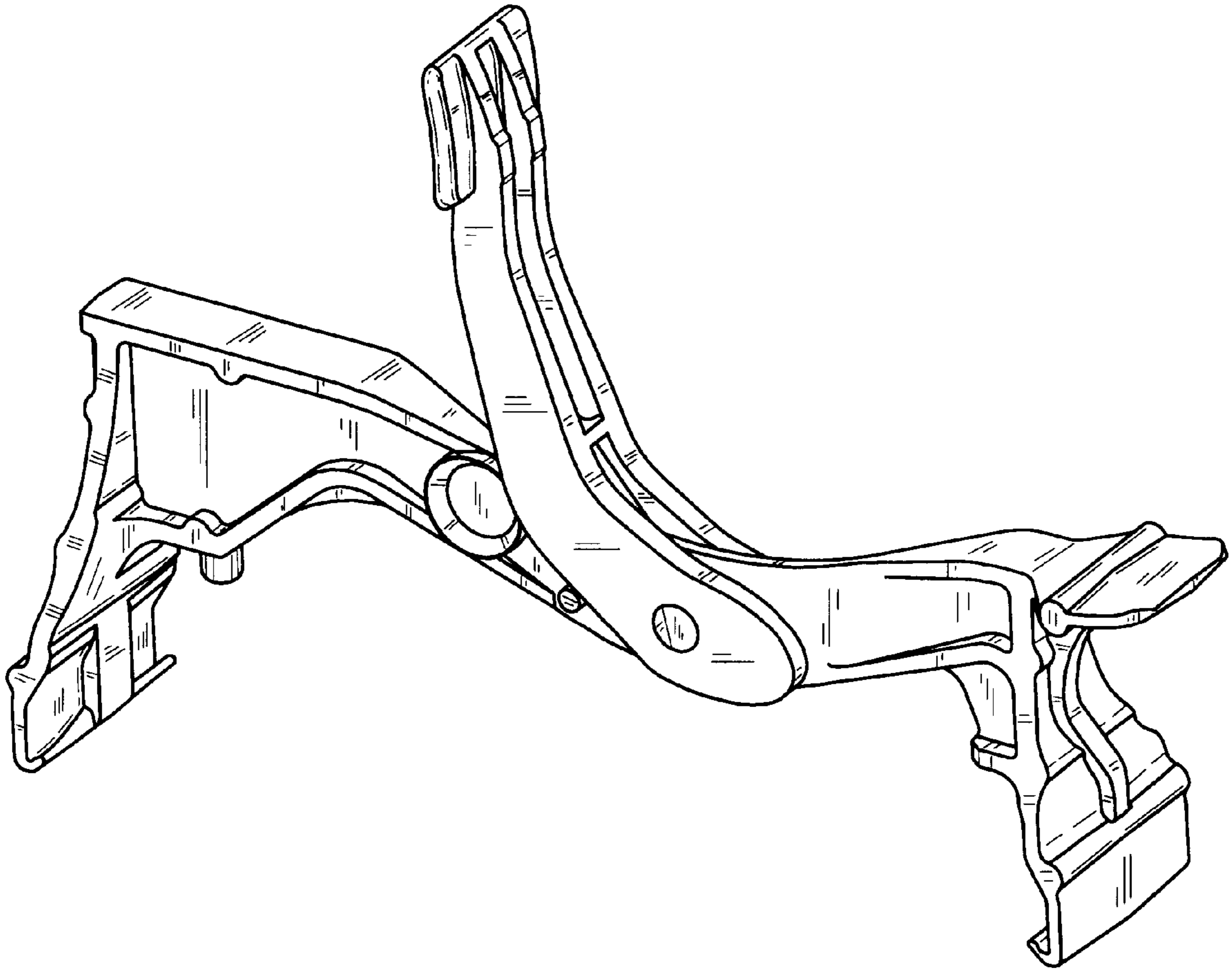


FIG. 1

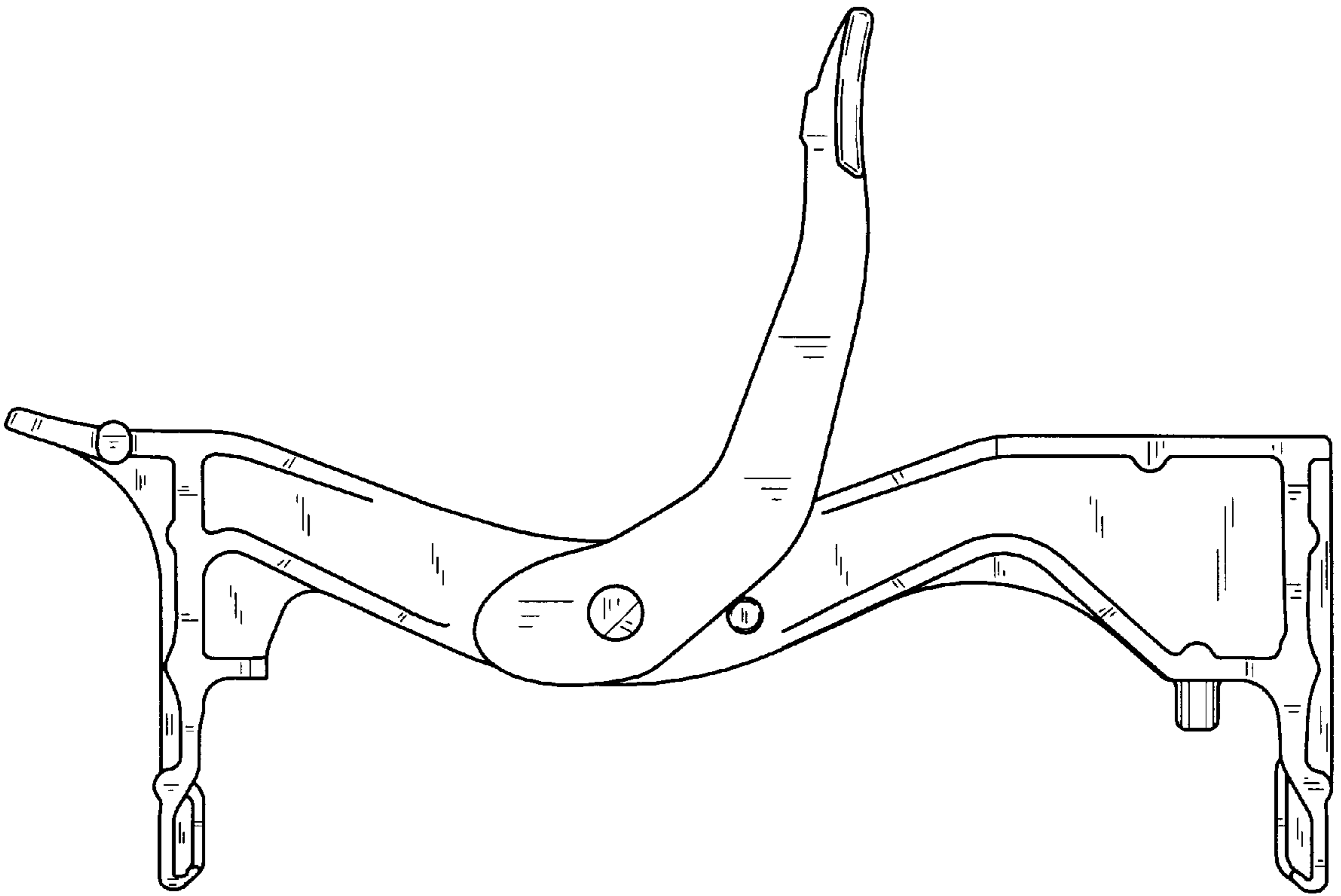


FIG. 2

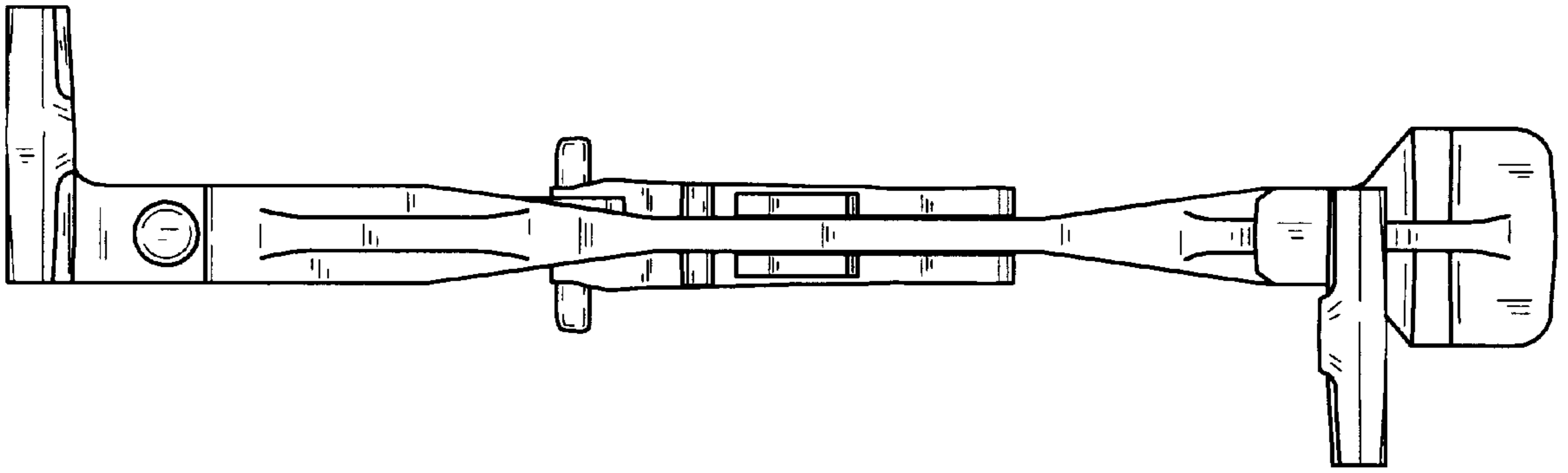


FIG. 3

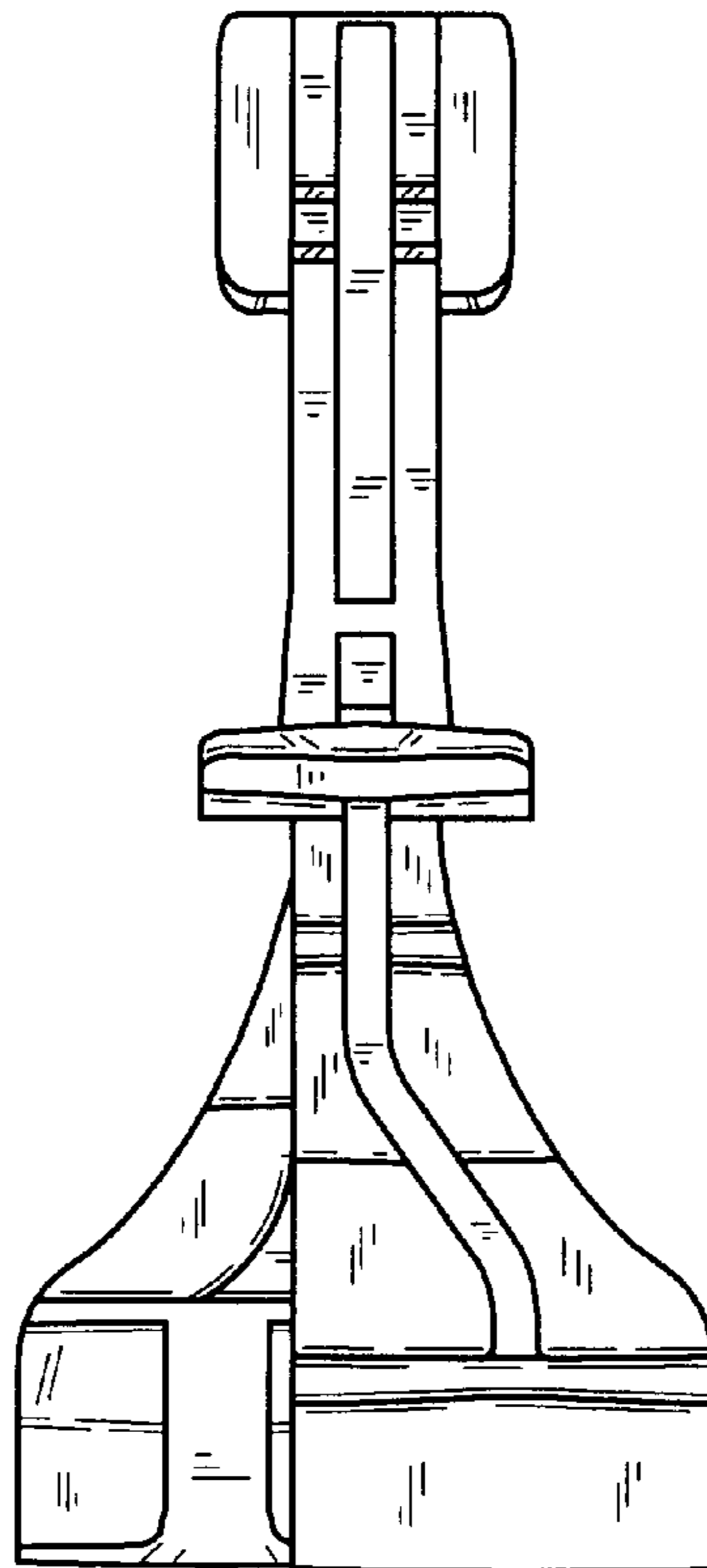


FIG. 4

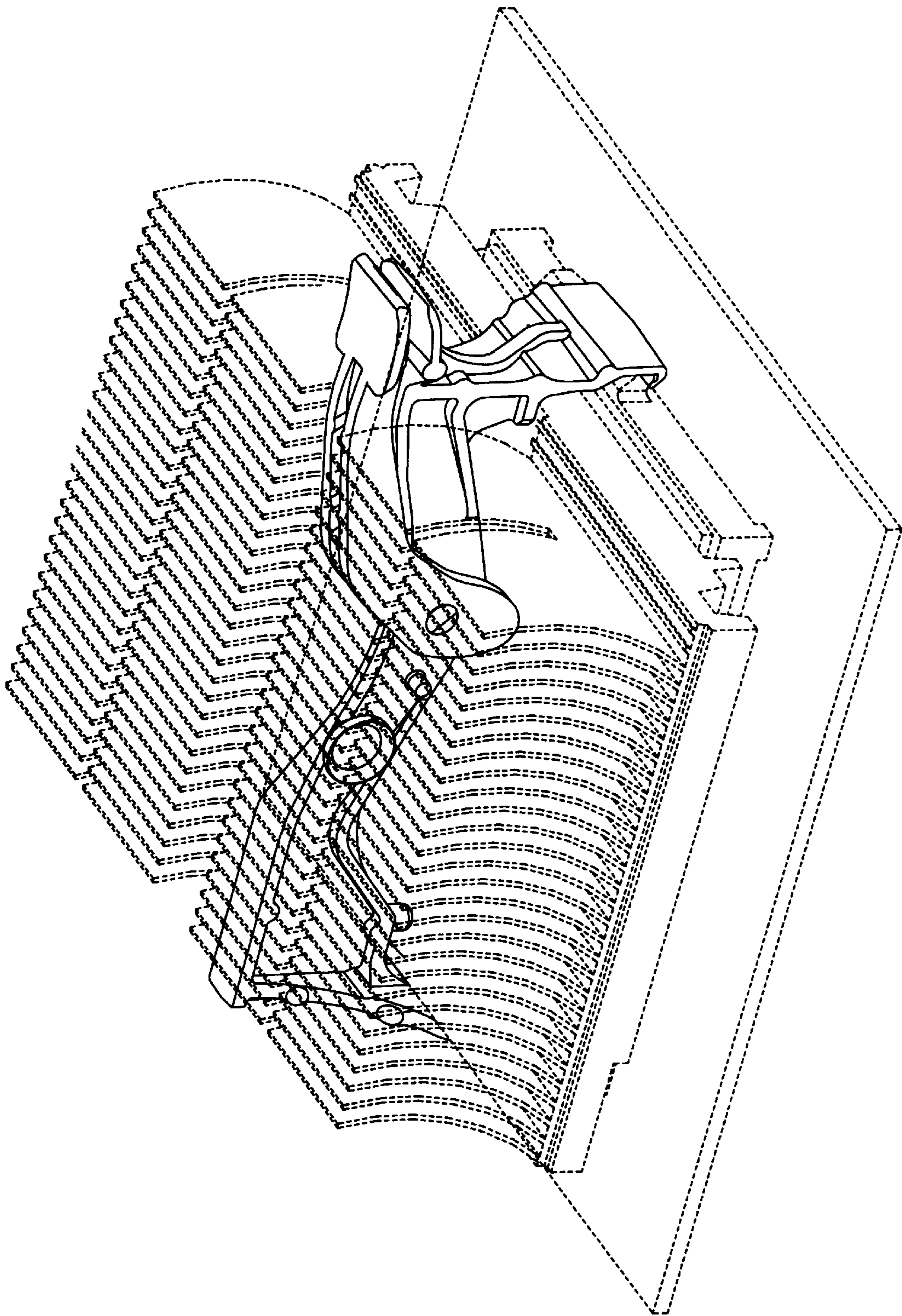


FIG. 5

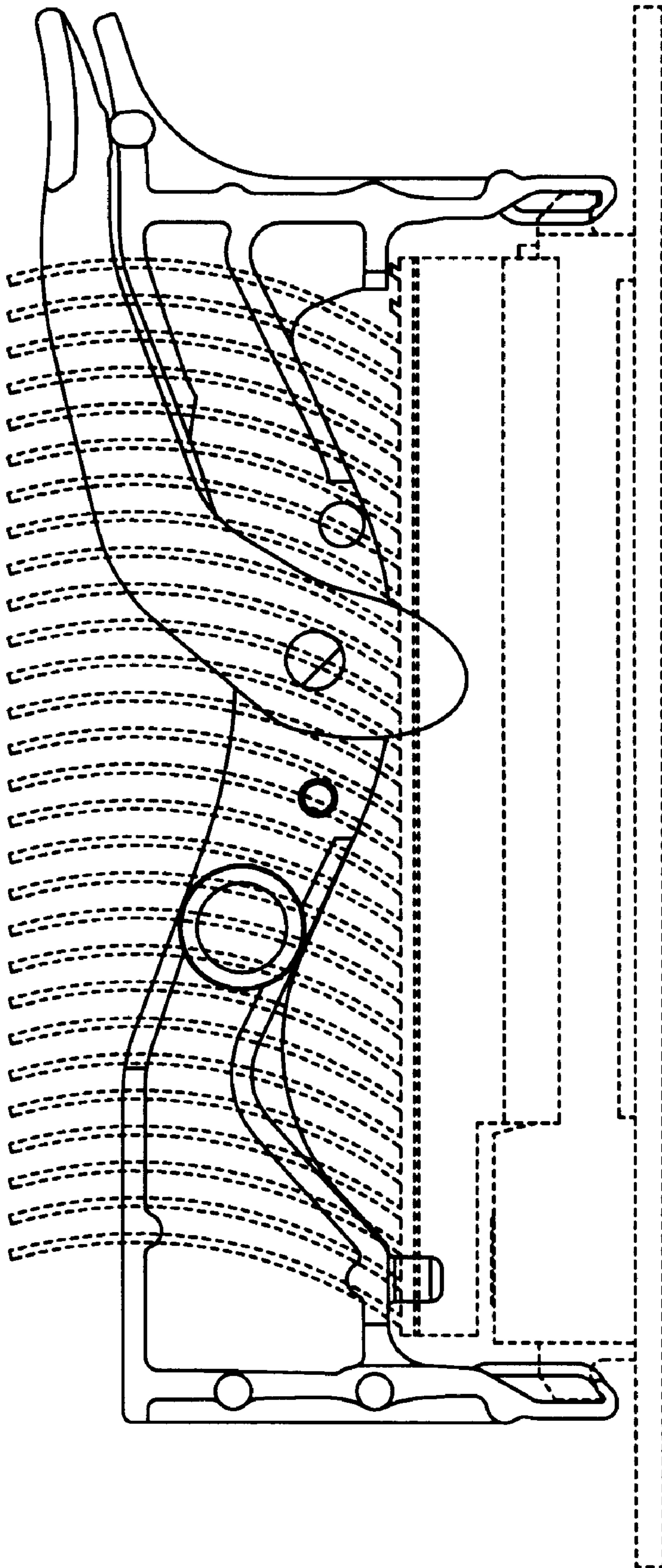


FIG. 6