



US00D455950S

(12) **United States Design Patent**  
**Unwin et al.**

(10) **Patent No.:** **US D455,950 S**  
(45) **Date of Patent:** **\*\* Apr. 23, 2002**

(54) **TUBE CONNECTOR**

(75) Inventors: **Michael John Unwin; John Greaves,**  
both of Hampshire (GB)

(73) Assignee: **Kee Klamp Limited,** Reading (GB)

(\*\*) Term: **14 Years**

(21) Appl. No.: **29/124,945**

(22) Filed: **Jun. 14, 2000**

(30) **Foreign Application Priority Data**

Dec. 14, 1999 (GB) ..... 2088810

(51) **LOC (7) Cl.** ..... **08-08**

(52) **U.S. Cl.** ..... **D8/382; D23/262**

(58) **Field of Search** ..... D8/382; D23/262,  
D23/266; 403/170, 171, 176, 205, 217,  
292, 298, DIG. 10

(56) **References Cited**

**U.S. PATENT DOCUMENTS**

- 421,482 A \* 2/1890 Cottle
- D157,592 S \* 3/1950 Hollaender
- D157,594 S \* 3/1950 Hollaender
- 2,705,162 A \* 3/1955 Linsky
- 2,839,320 A \* 6/1958 Hill
- 3,633,862 A \* 1/1972 Breen ..... 248/251

- D354,432 S \* 1/1995 Starman ..... D8/382
- D364,554 S \* 11/1995 Seo ..... D8/382
- 5,927,363 A \* 7/1999 Olsen ..... 403/217 X
- D418,047 S \* 12/1999 Hirano ..... D8/382
- D418,396 S \* 1/2000 Hirano et al. .... D8/382
- D418,398 S \* 1/2000 Hirano ..... D8/382
- 6,131,886 A \* 10/2000 Venegas, Jr. .... 256/59

\* cited by examiner

*Primary Examiner*—Alan P. Douglas

*Assistant Examiner*—Clare E. Heflin

(74) *Attorney, Agent, or Firm*—Young & Thompson

(57) **CLAIM**

The ornamental design for tube connector, as shown and described.

**DESCRIPTION**

FIG. 1 is a top, front and one side perspective view of a tube connector showing our new design;

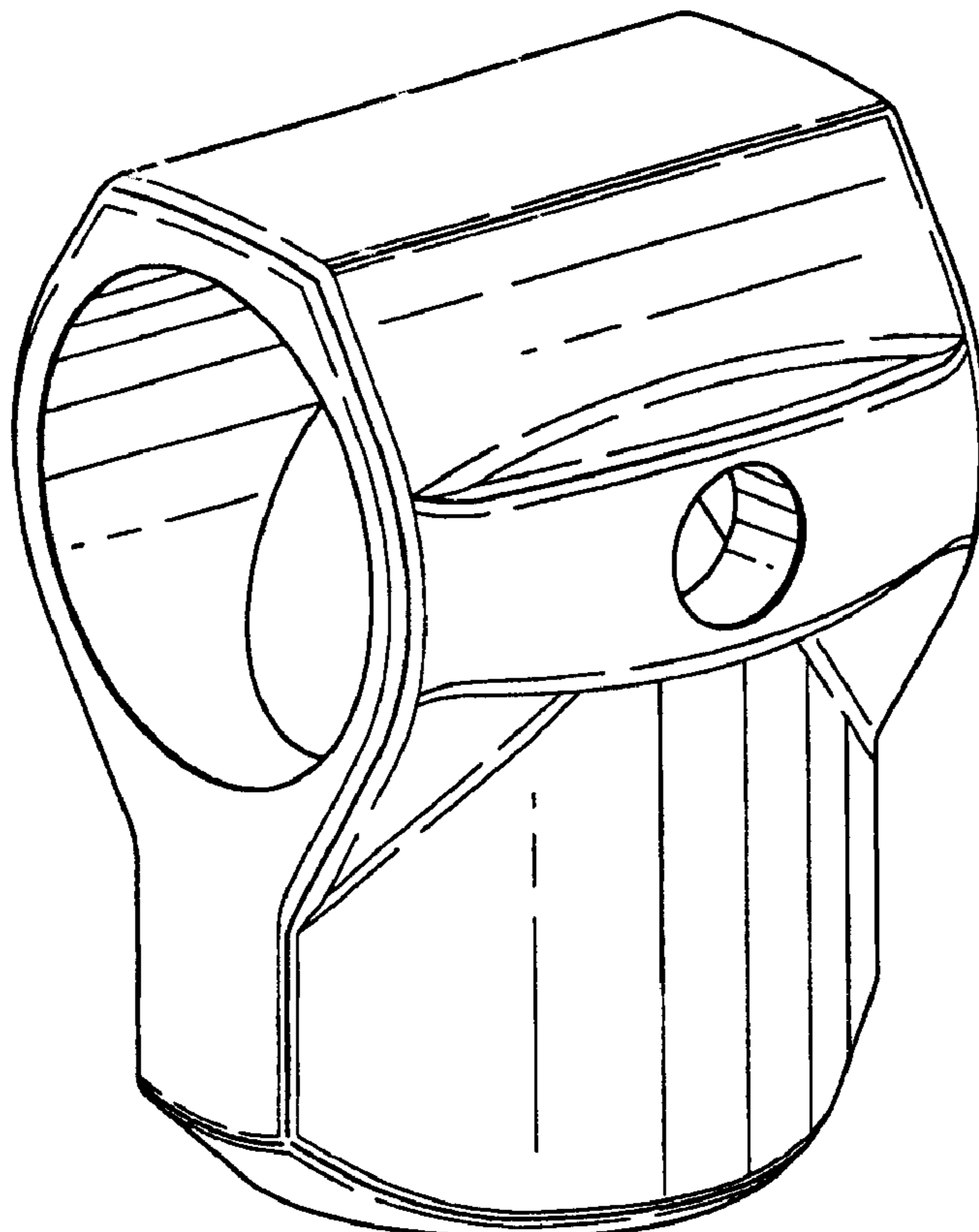
FIG. 2 is a bottom, rear and opposite side perspective view thereof;

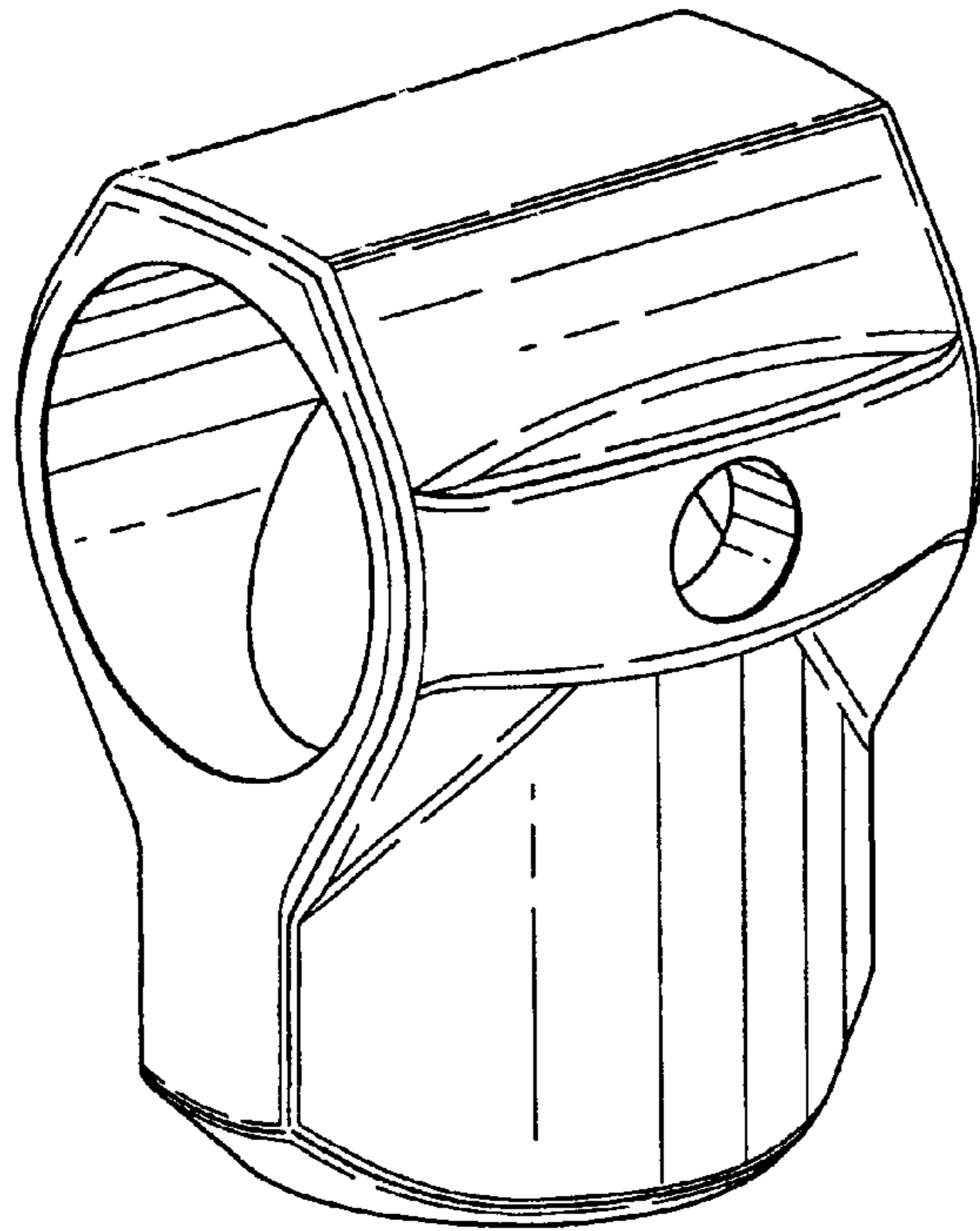
FIG. 3 is a side elevational view front the side which appears at the lower left of FIG. 2;

FIG. 4 is a side elevational view from the side that appears at the lower left of FIG. 1; and,

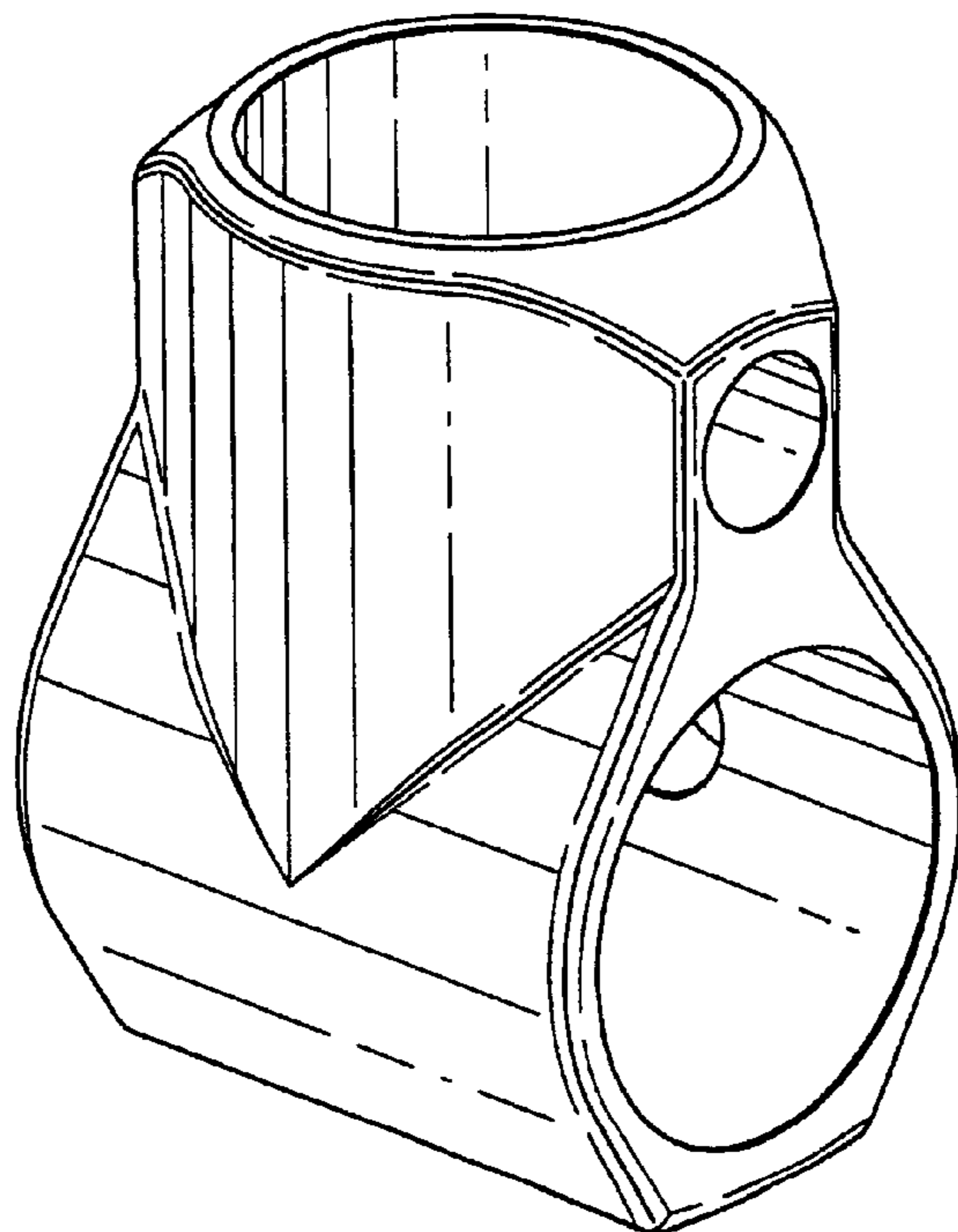
FIG. 5 is a top plan view thereof in the position of FIG. 1.

**1 Claim, 3 Drawing Sheets**





*Fig. 1*



*Fig. 2*

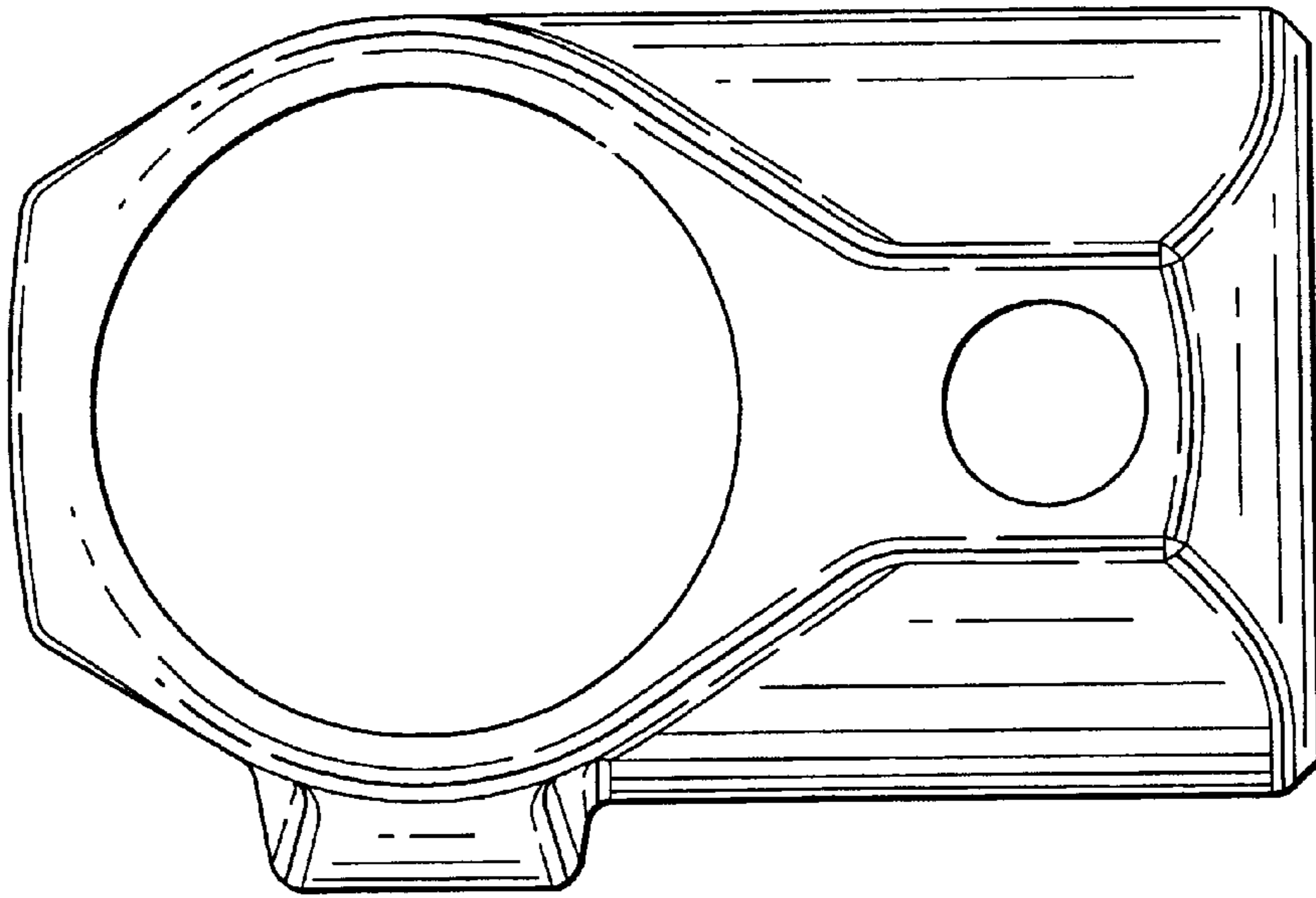


Fig.3

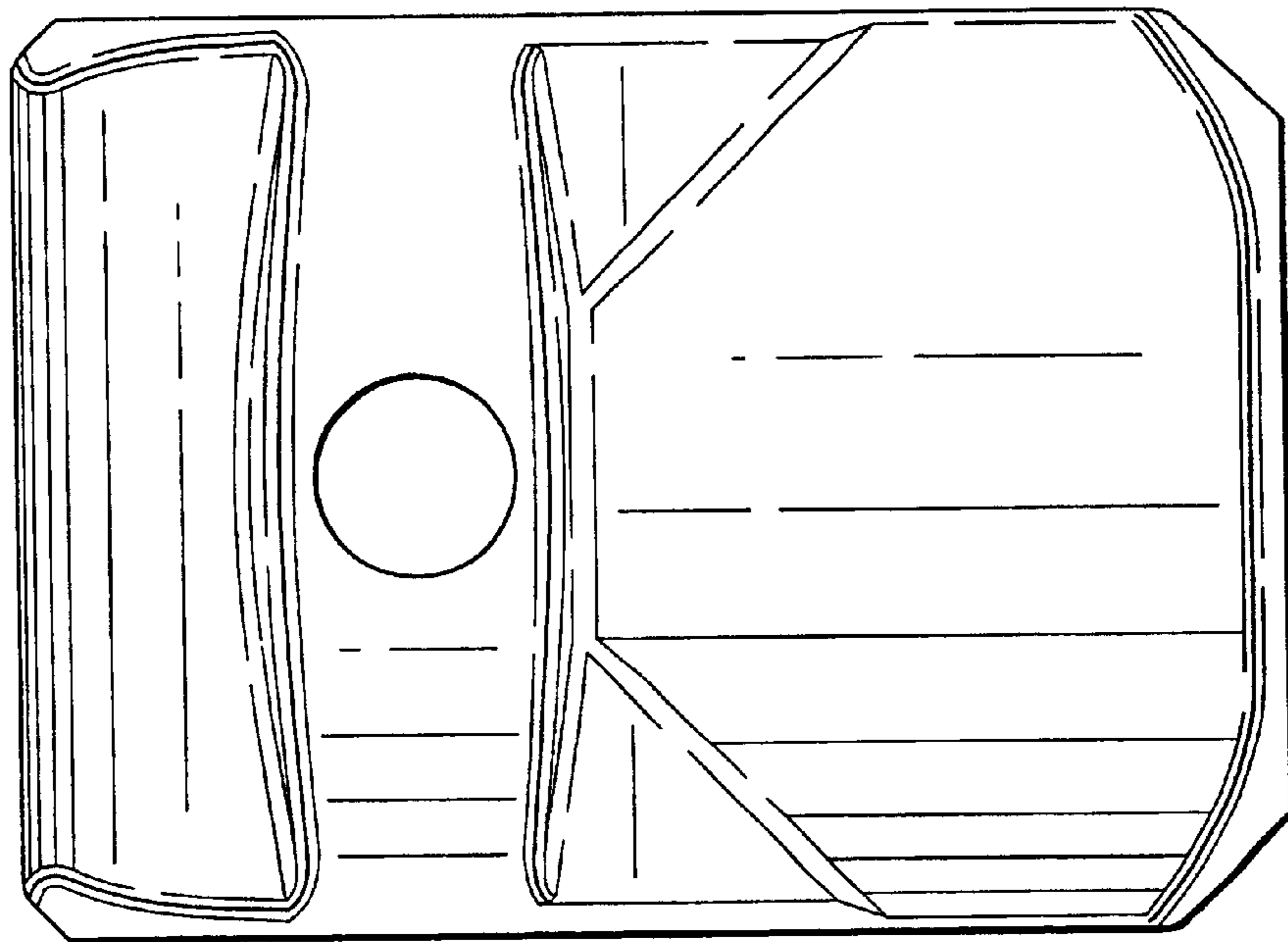
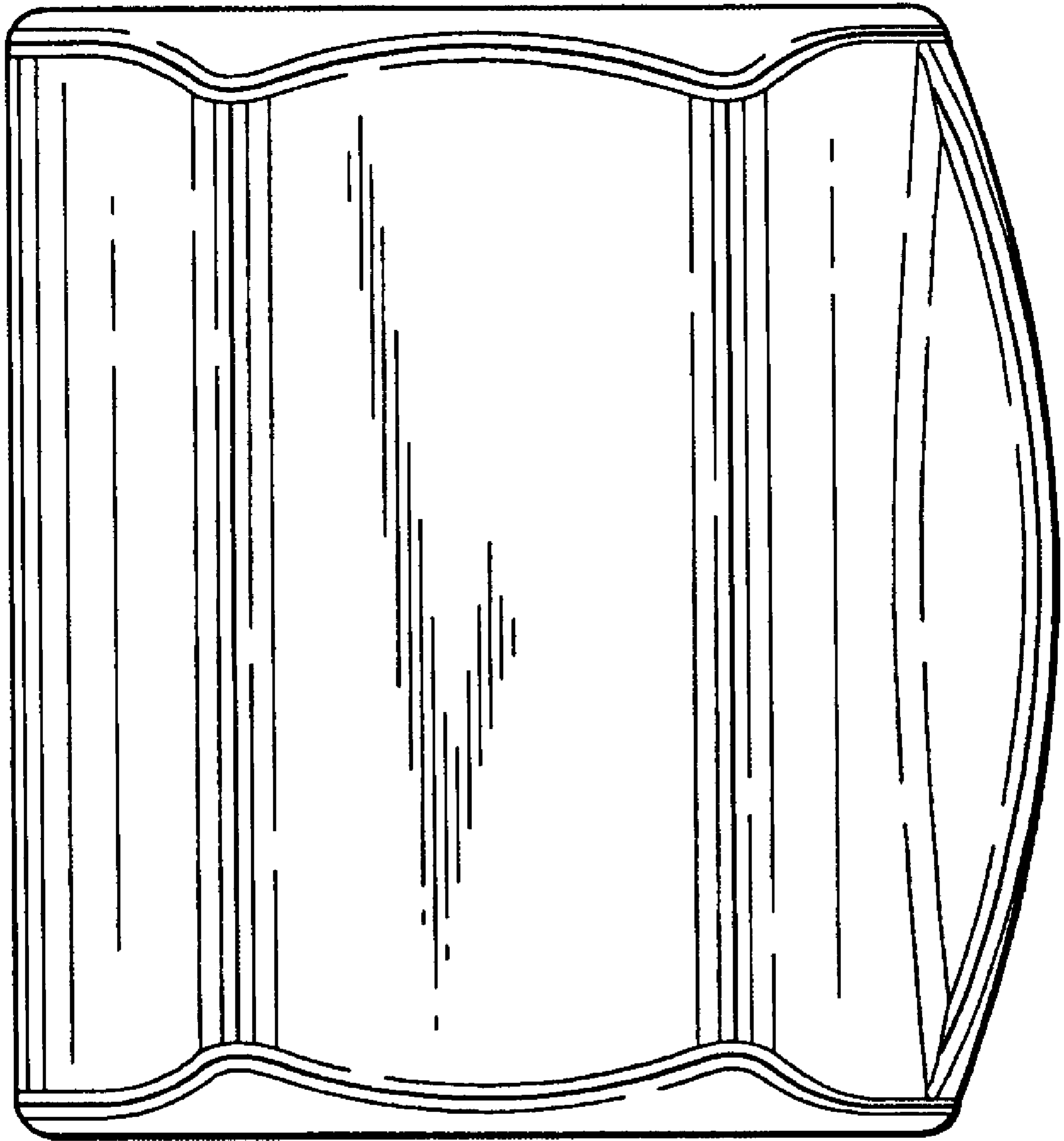


Fig.4



*Fig. 5*