



US00D455949S

(12) **United States Design Patent**
Huang

(10) **Patent No.:** **US D455,949 S**

(45) **Date of Patent:** **** Apr. 23, 2002**

(54) **ARM FOR SUPPORTING LCD DISPLAYER**

3,774,873 A * 11/1973 Krogsrud 248/324 X
D357,406 S * 4/1995 Whitaker D8/380
D410,837 S * 6/1999 Vogels D8/363

(75) Inventor: **Ming Huang**, Taipei (TW)

(73) Assignee: **Associated Industries China, Inc.**,
Taipei (TW)

* cited by examiner

Primary Examiner—Brian N. Vinson

(**) Term: **14 Years**

(74) *Attorney, Agent, or Firm*—Rabin & Berdo, P.C.

(21) Appl. No.: **29/134,645**

(57) **CLAIM**

(22) Filed: **Dec. 27, 2000**

The ornamental design for a “arm for supporting LCD displayer”, as shown and described.

(51) **LOC (7) Cl.** **08-08**

DESCRIPTION

(52) **U.S. Cl.** **D8/373; D8/380**

FIG. 1 is a front view of a arm for supporting LCD displayer showing my new design;

(58) **Field of Search** D8/349, 354, 363,
D8/373, 380; 211/13.1, 134, 144, 150,
168, 171; 248/593, 595, 596, 317, 324,
917, 923, 924

FIG. 2 is a rear view thereof;

FIG. 3 is a left side view thereof;

FIG. 4 is a right side view thereof;

FIG. 5 is a top view thereof;

FIG. 6 is a bottom view thereof; and,

FIG. 7 is a perspective view thereof.

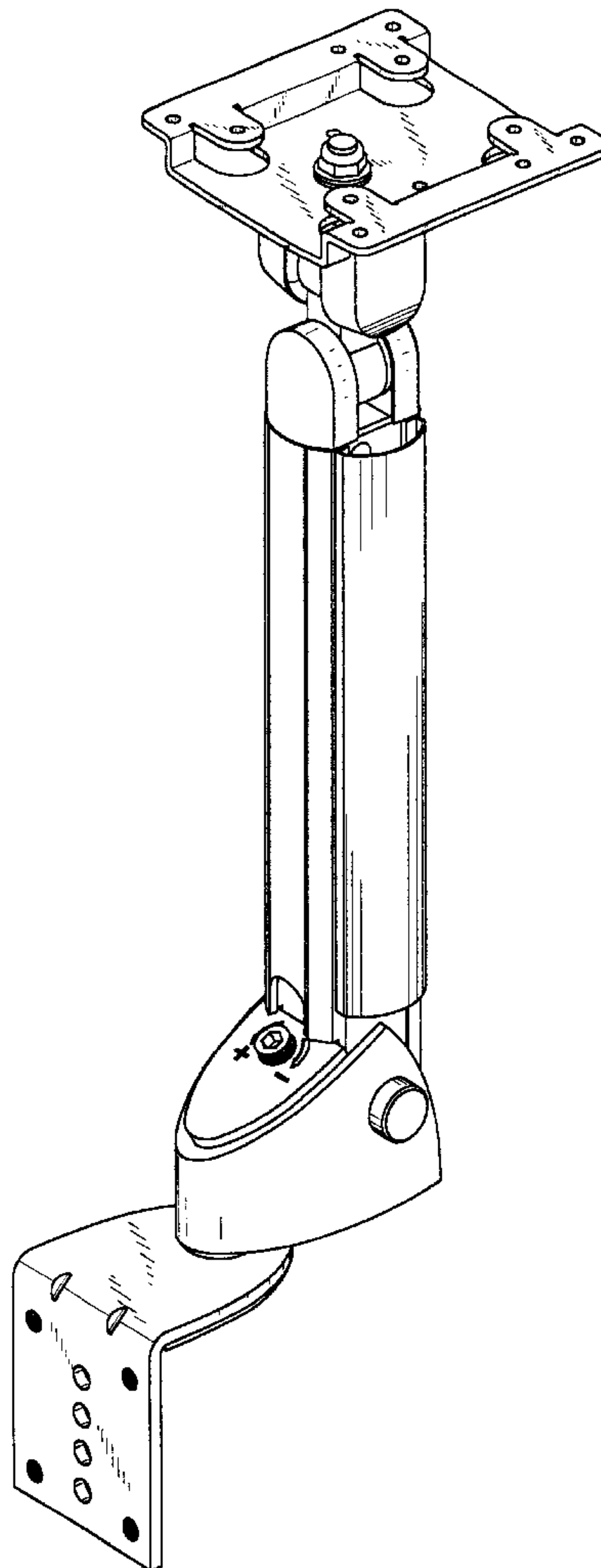
(56) **References Cited**

U.S. PATENT DOCUMENTS

The broken-line disclosures in the views form no part of the claimed design.

371,063 A * 10/1887 Hays D8/363
1,078,577 A * 11/1913 Fox 248/593 X
3,426,190 A * 2/1969 Bobrick 248/593 X

1 Claim, 7 Drawing Sheets



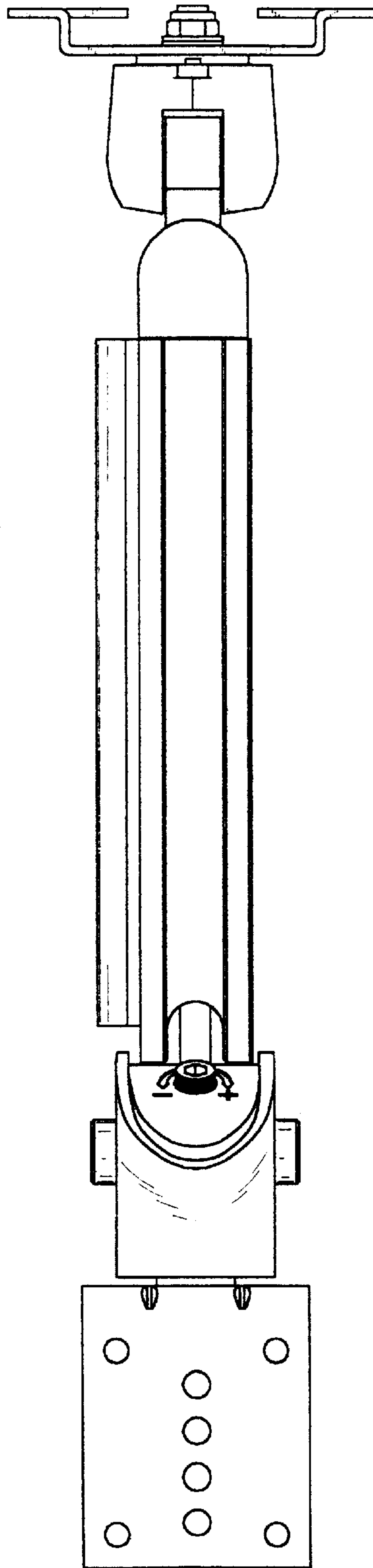


FIG. 1

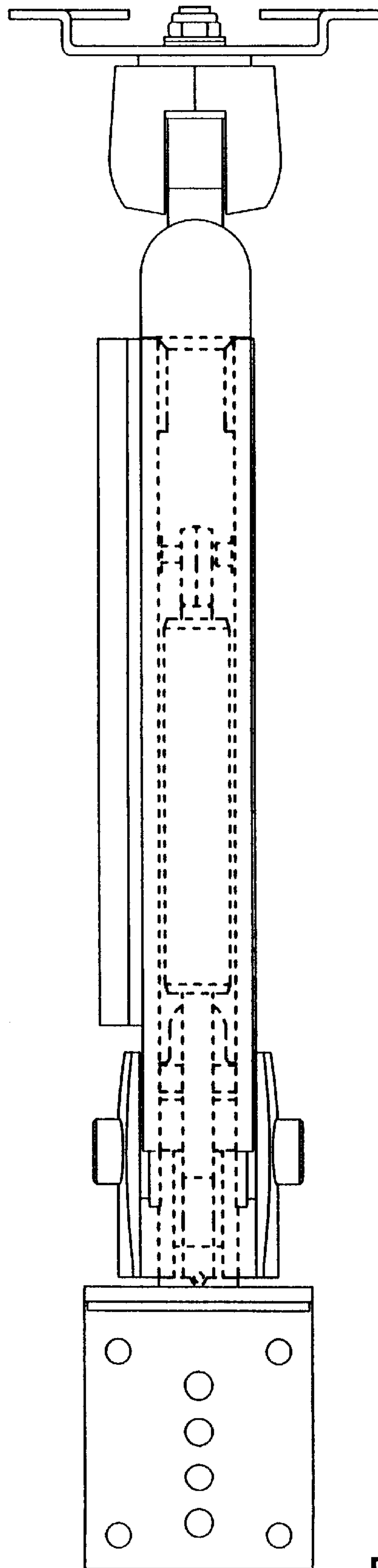


Fig. 2

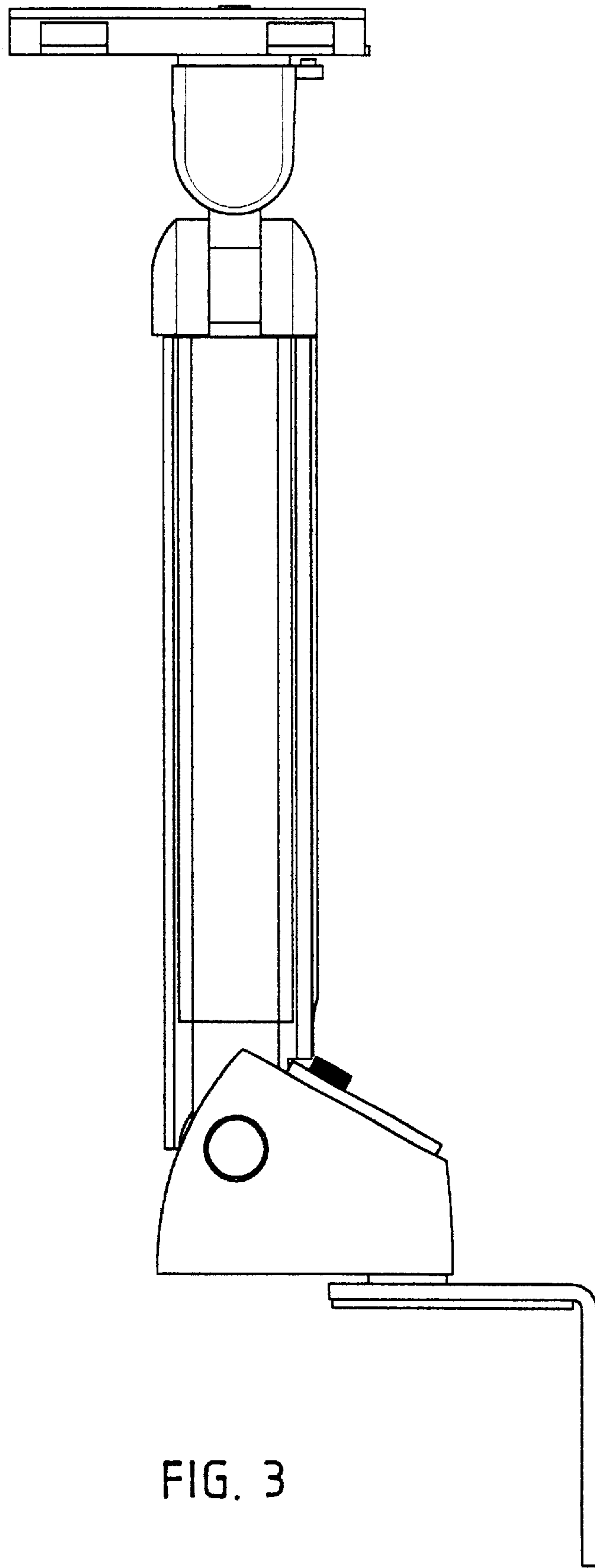


FIG. 3

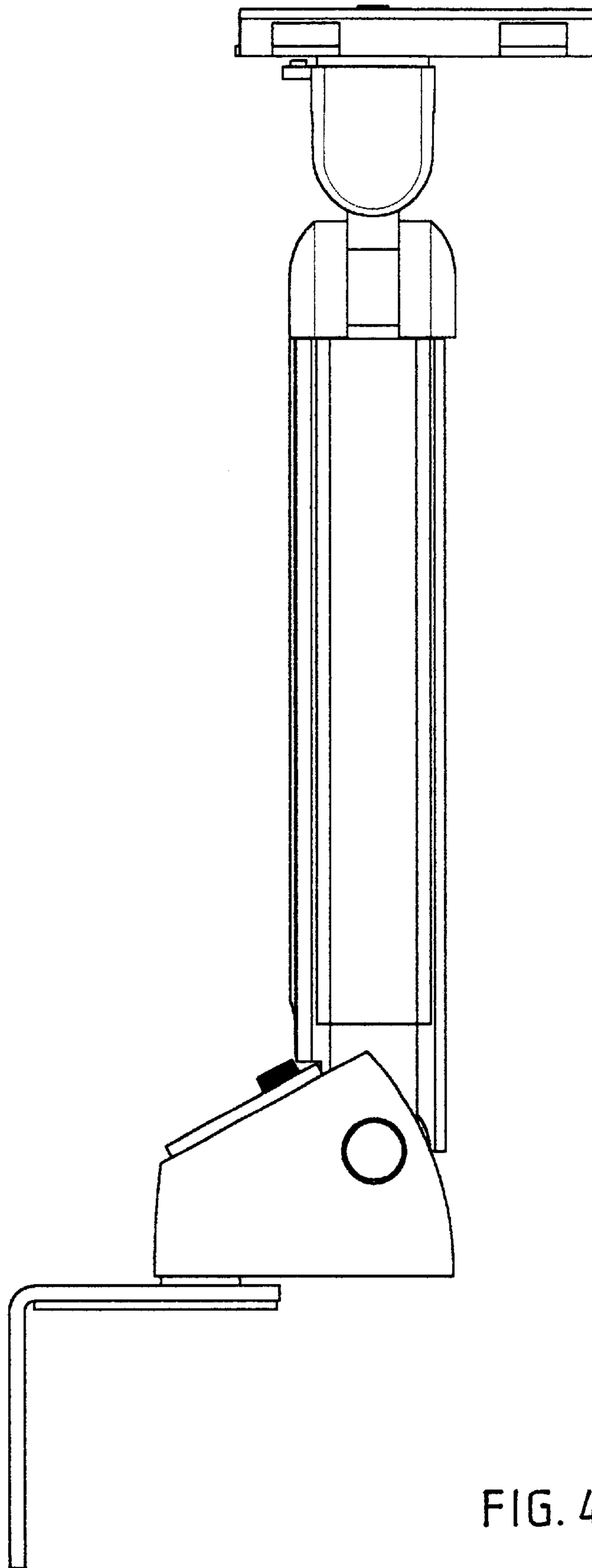


FIG. 4

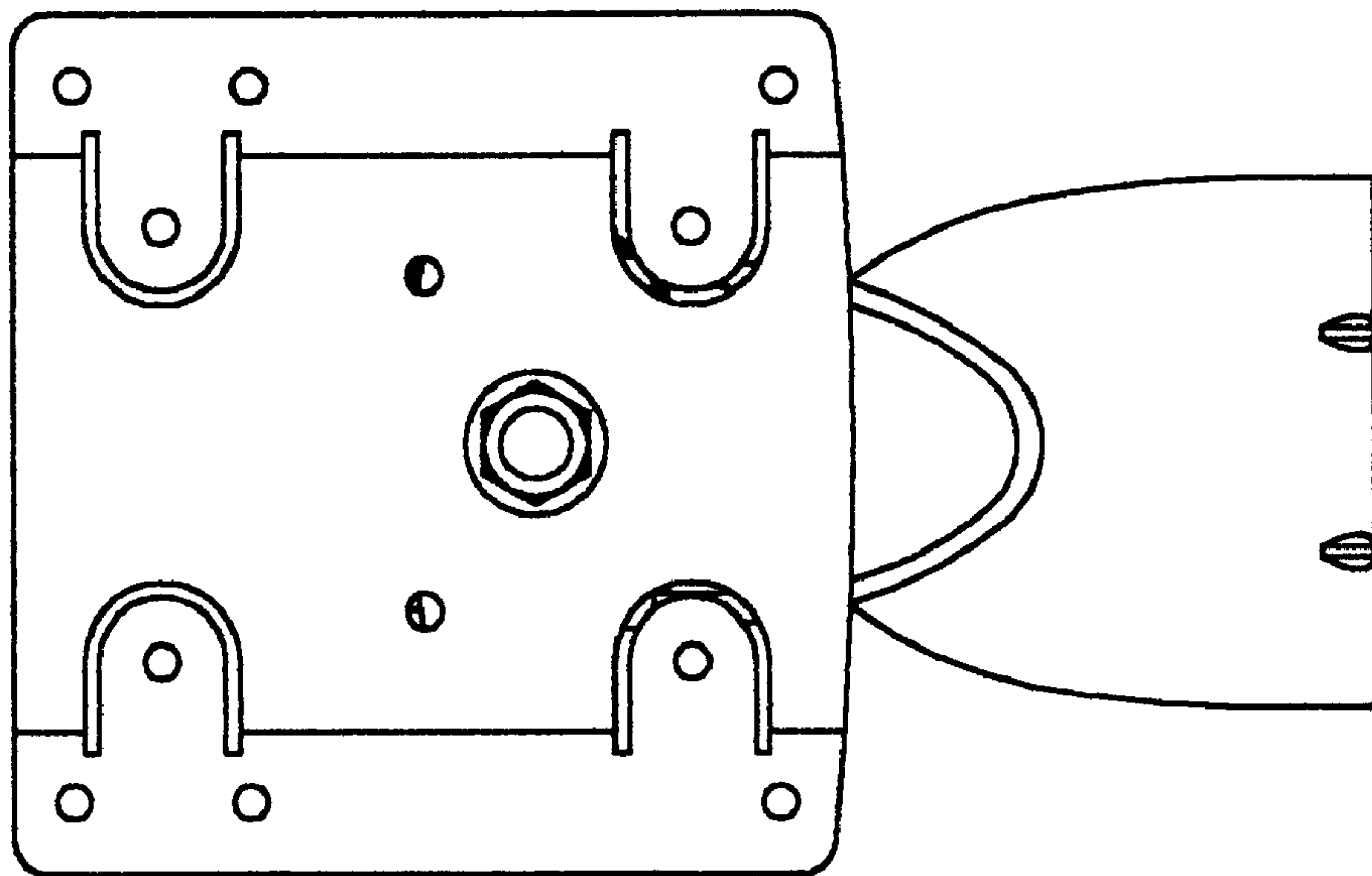


FIG. 5

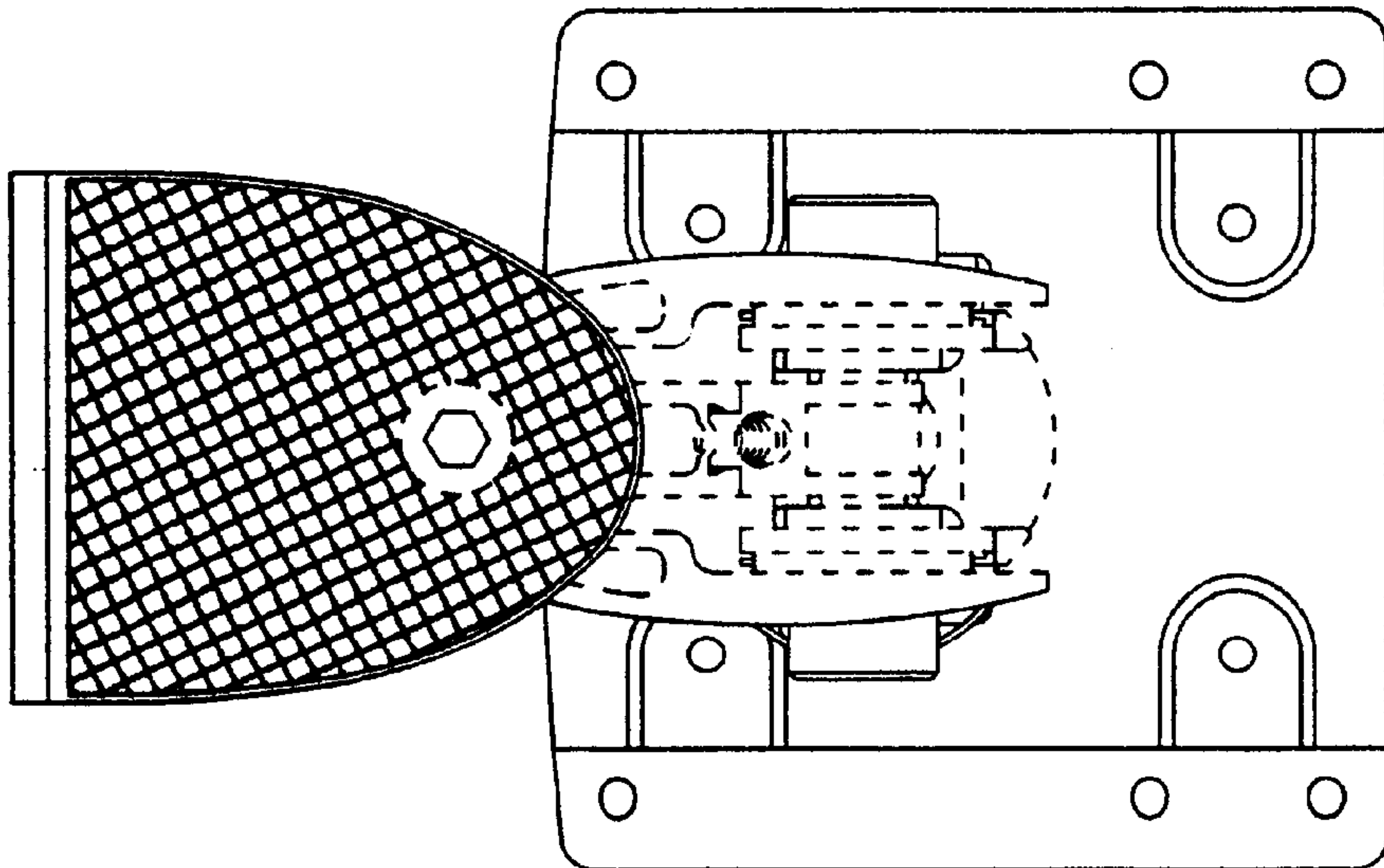


Fig. 6

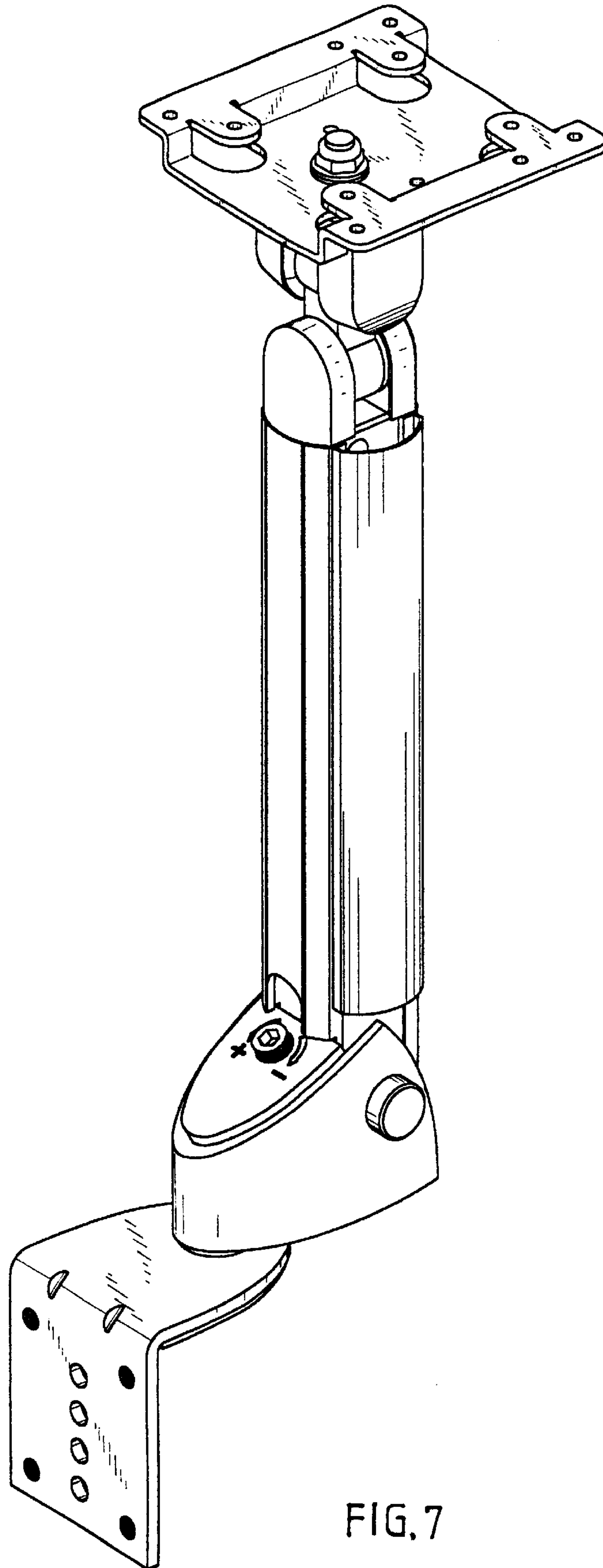


FIG. 7