



US00D455948S

(12) **United States Design Patent**
Zetsche

(10) **Patent No.:** **US D455,948 S**

(45) **Date of Patent:** **** Apr. 23, 2002**

(54) **HOLDER FOR BATHING GOWN**
(75) Inventor: **Reinhard Zetsche**, Munich (DE)
(73) Assignee: **Hansa Metallwerke AG** (DE)
(**) Term: **14 Years**

D182,150 S * 2/1958 Unetic D6/550
D199,391 S * 10/1964 Van Riper D8/363
D277,622 S * 2/1985 Servadio D6/521
D281,838 S * 12/1985 Thompson D6/323

(21) Appl. No.: **29/131,468**
(22) Filed: **Oct. 23, 2000**

OTHER PUBLICATIONS

Paul Associates Catalogue p. 38, item 901.*

* cited by examiner

(30) **Foreign Application Priority Data**

Apr. 25, 2000 (DE) 4 00 04 233

Primary Examiner—Brian N. Vinson

(74) *Attorney, Agent, or Firm*—Factor & Partners, LLC

(51) **LOC (7) Cl.** **08-01**
(52) **U.S. Cl.** **D8/367; D6/523**
(58) **Field of Search** D6/546-50, 518,
D6/522-24; D8/300, 315-21, 354, 363,
373, 380; 108/28-29; 211/13.1, 16, 60.1,
86.01, 87.01, 88.04, 100, 105.1-105.2,
123, 181.1, 182; 248/175, 176.1, 251, 302;
16/110.1, 412, 415; 242/570, 590, 595-598;
206/389

(57) **CLAIM**

The ornamental design for holder for bathing gown, as shown.

DESCRIPTION

FIG. 1 is a perspective view of the holder for bathing gown, showing a new ornamental design thereof;

FIG. 2 is a side elevational view thereof; and,

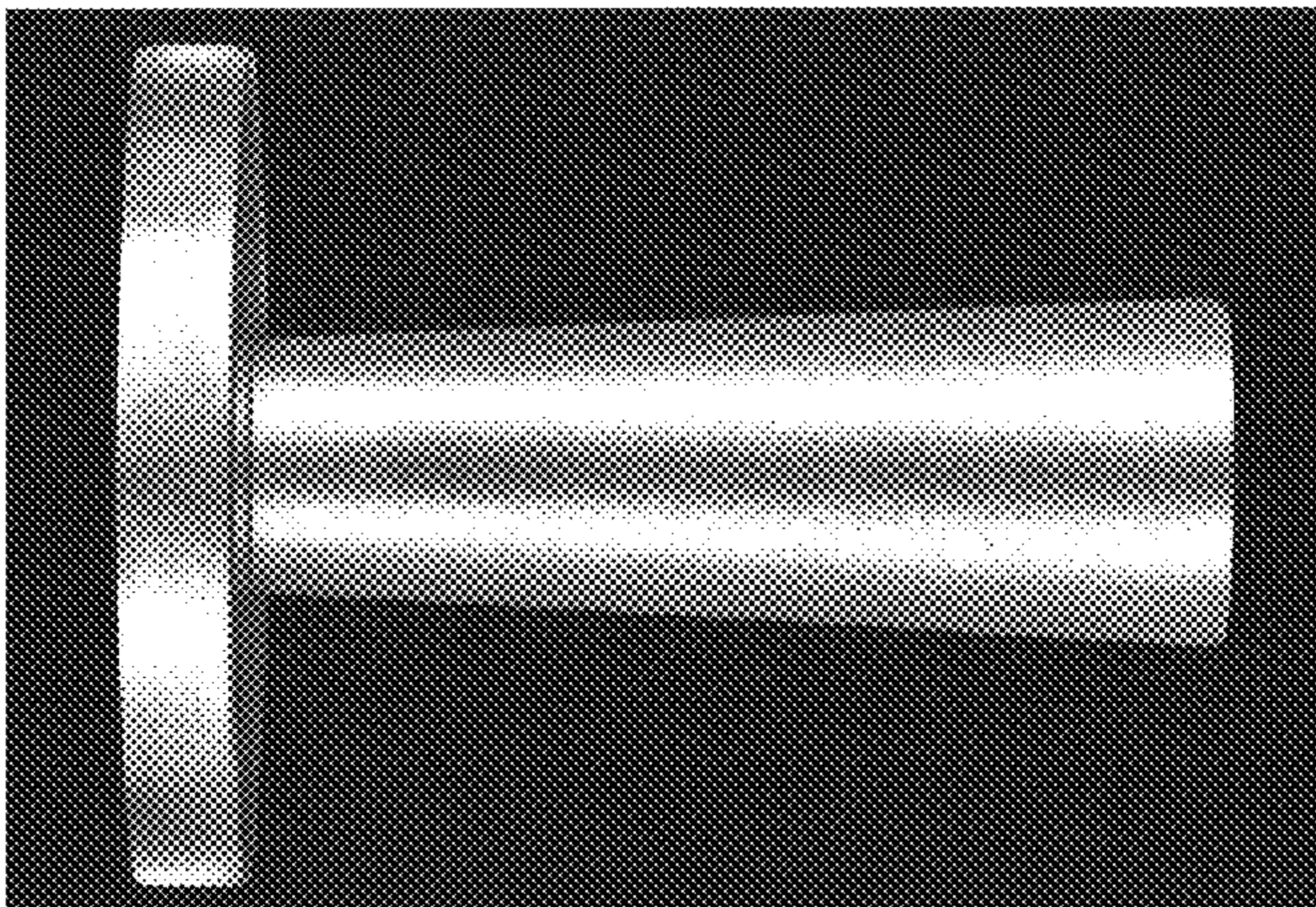
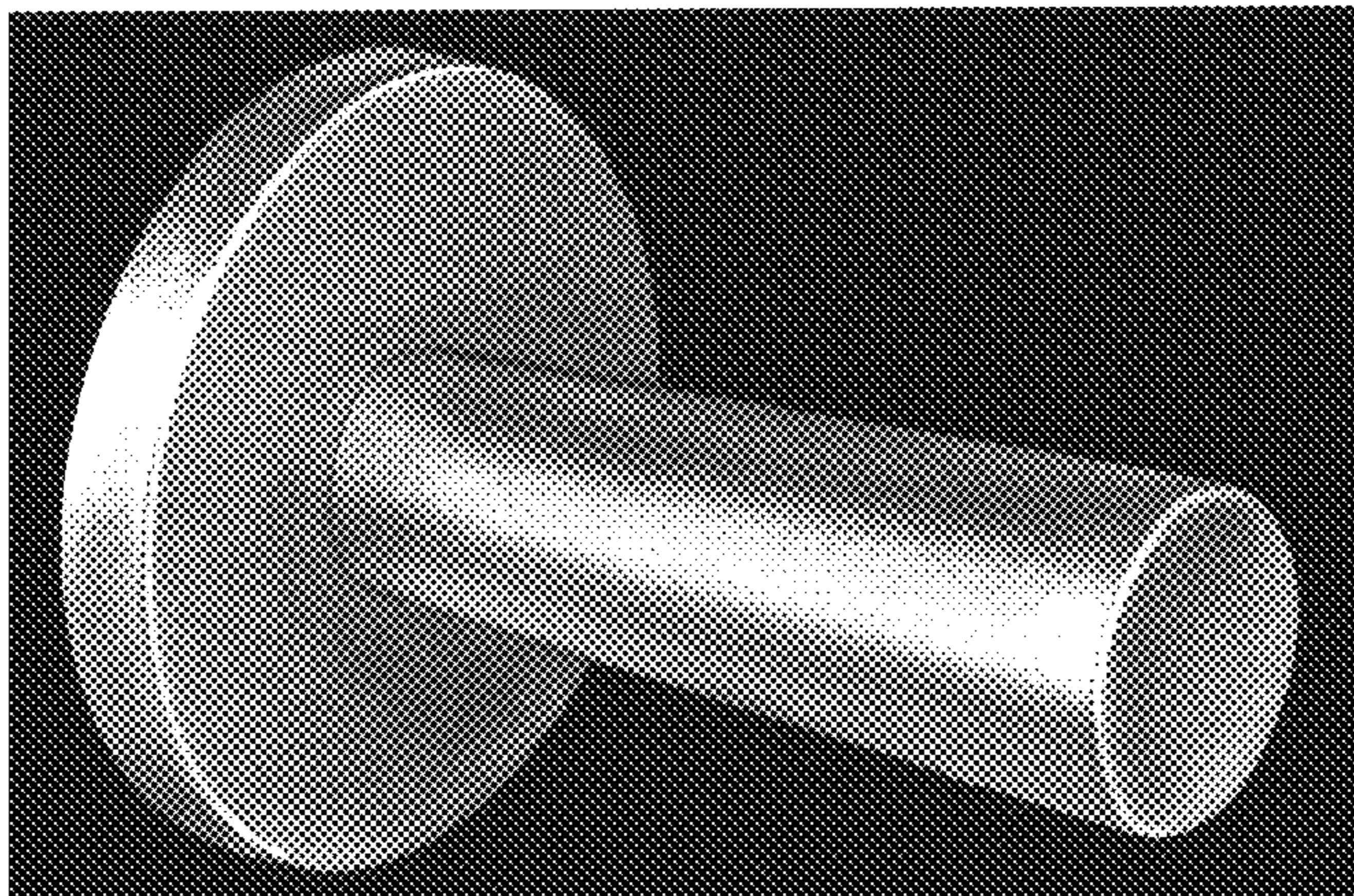
FIG. 3 is a front elevational view thereof.

(56) **References Cited**

U.S. PATENT DOCUMENTS

2,215,331 A * 9/1940 Marsh D6/550 X

1 Claim, 3 Drawing Sheets



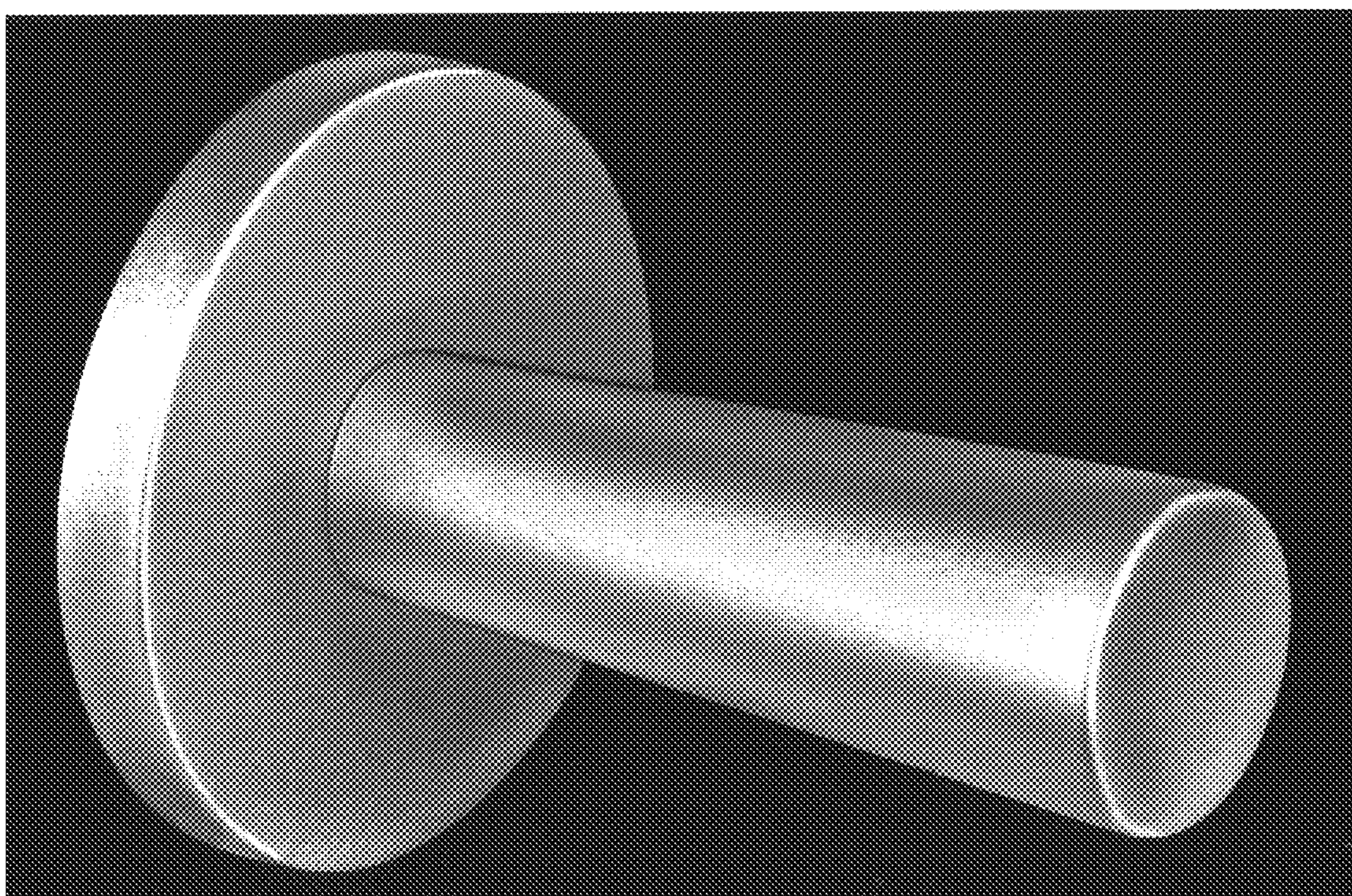


FIG. 1

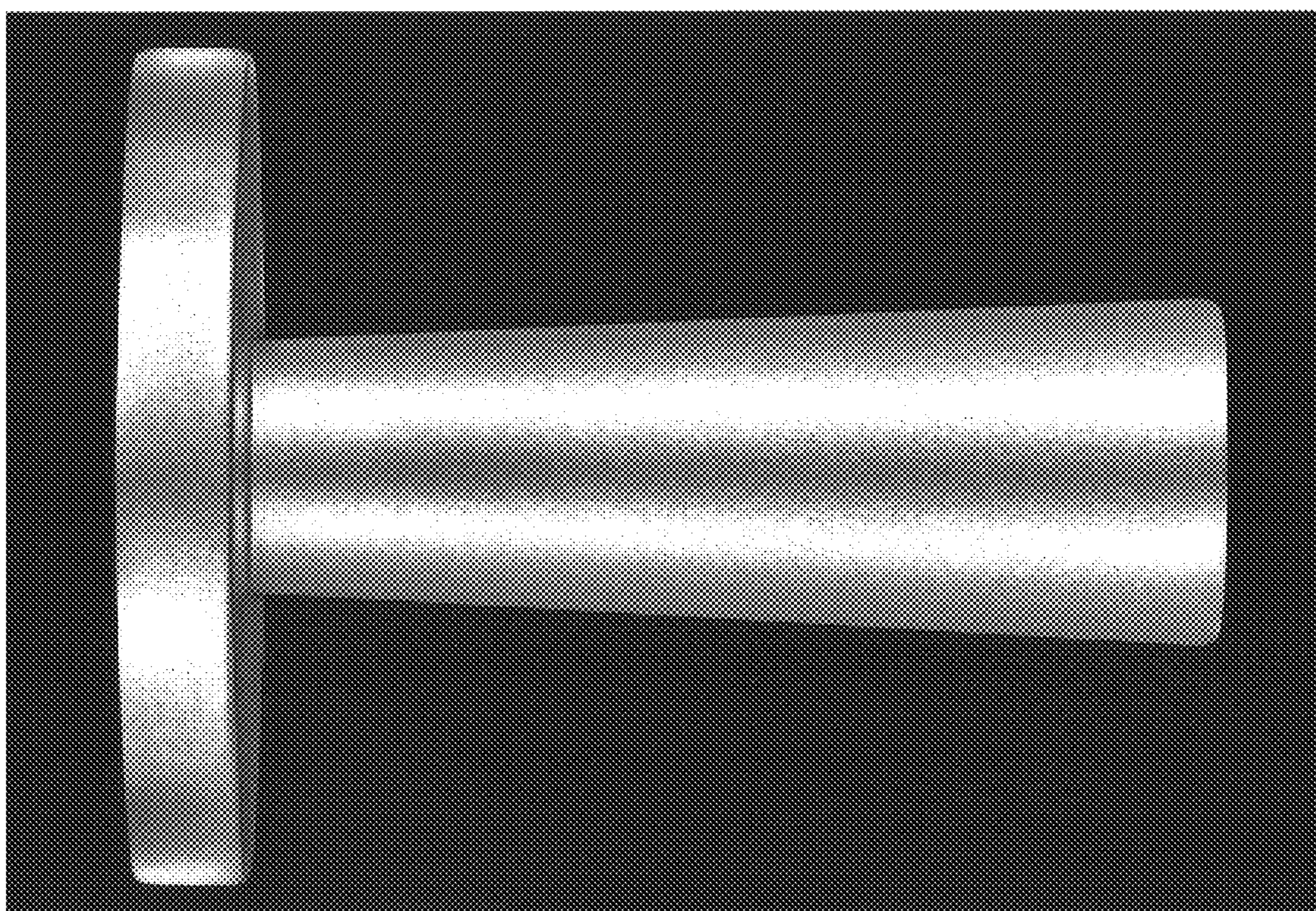


FIG. 2

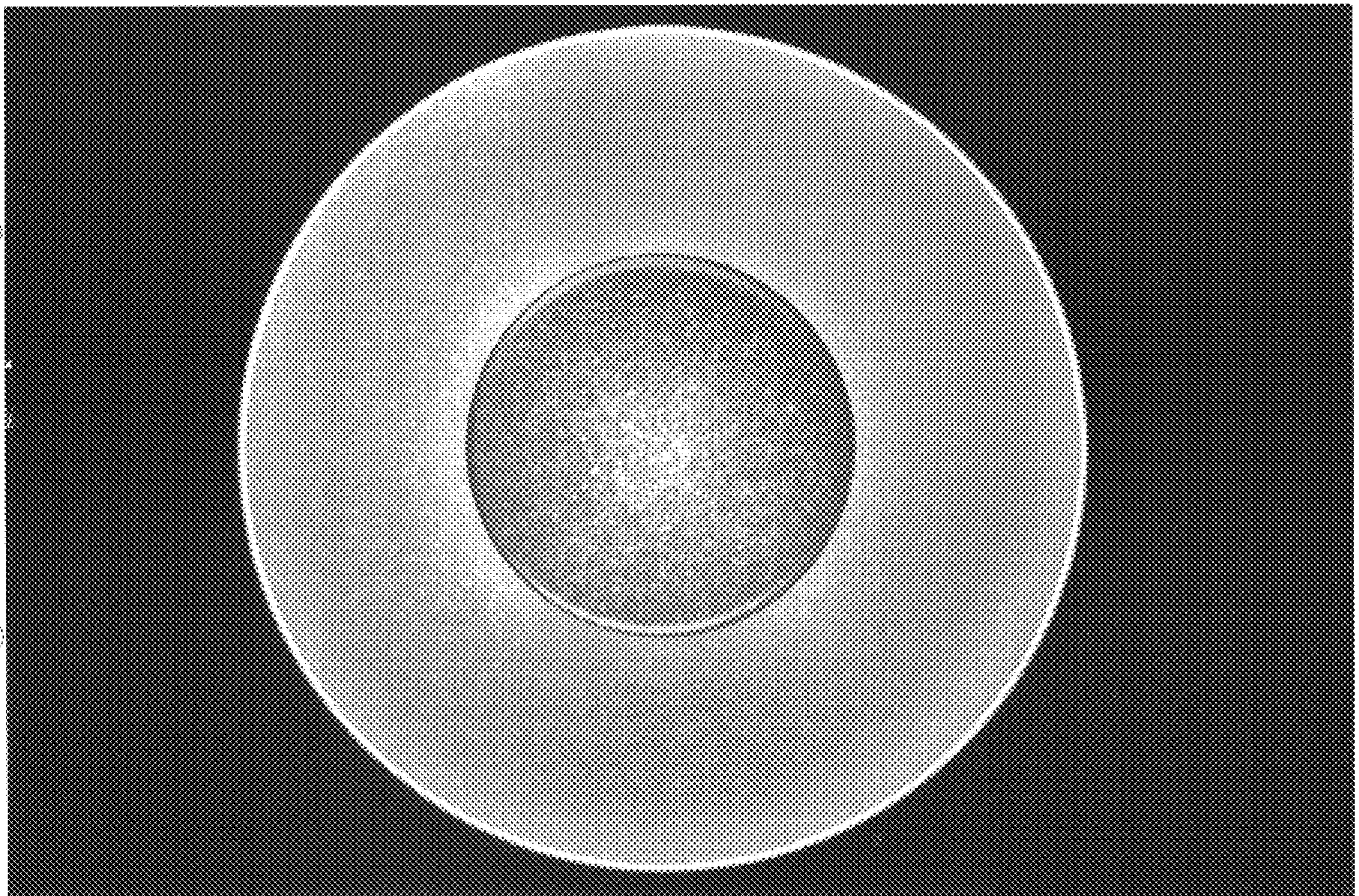


FIG. 3