



US00D455947S

(12) **United States Design Patent**  
**Goodman et al.**

(10) **Patent No.:** **US D455,947 S**  
(45) **Date of Patent:** **\*\* Apr. 23, 2002**

(54) **OVER-THE-DOOR HOOK**

(75) Inventors: **Sheldon H. Goodman**, 30905 Stratford, Solon, OH (US) 44139; **Brian Stelmarski**, Mayfield Heights, OH (US)

(73) Assignee: **Sheldon H. Goodman**, Solon, OH (US)

(\*\*) Term: **14 Years**

(21) Appl. No.: **29/127,883**

(22) Filed: **Aug. 11, 2000**

(51) **LOC (7) Cl.** ..... **08-08**

(52) **U.S. Cl.** ..... **D8/367; D8/372; D8/37**

(58) **Field of Search** ..... **D8/367, 368, 370, D8/372; 16/87.2; 24/369; 248/215, 304, 322, 302, 303, 231.81, 339, 916, 306, 205.5, 206.2, 214; D6/323**

(56) **References Cited**

**U.S. PATENT DOCUMENTS**

928,717	A	*	7/1909	Vance	.....	248/304
1,795,059	A	*	3/1931	Vance et al.	.....	248/304
2,250,831	A	*	7/1941	Harrison	.....	248/304
5,967,476	A	*	10/1999	Chen	.....	248/222
D421,713	S	*	3/2000	Snell	.....	D8/372

\* cited by examiner

*Primary Examiner*—Pamela Burgess

(74) *Attorney, Agent, or Firm*—Pearne & Gordon LLP

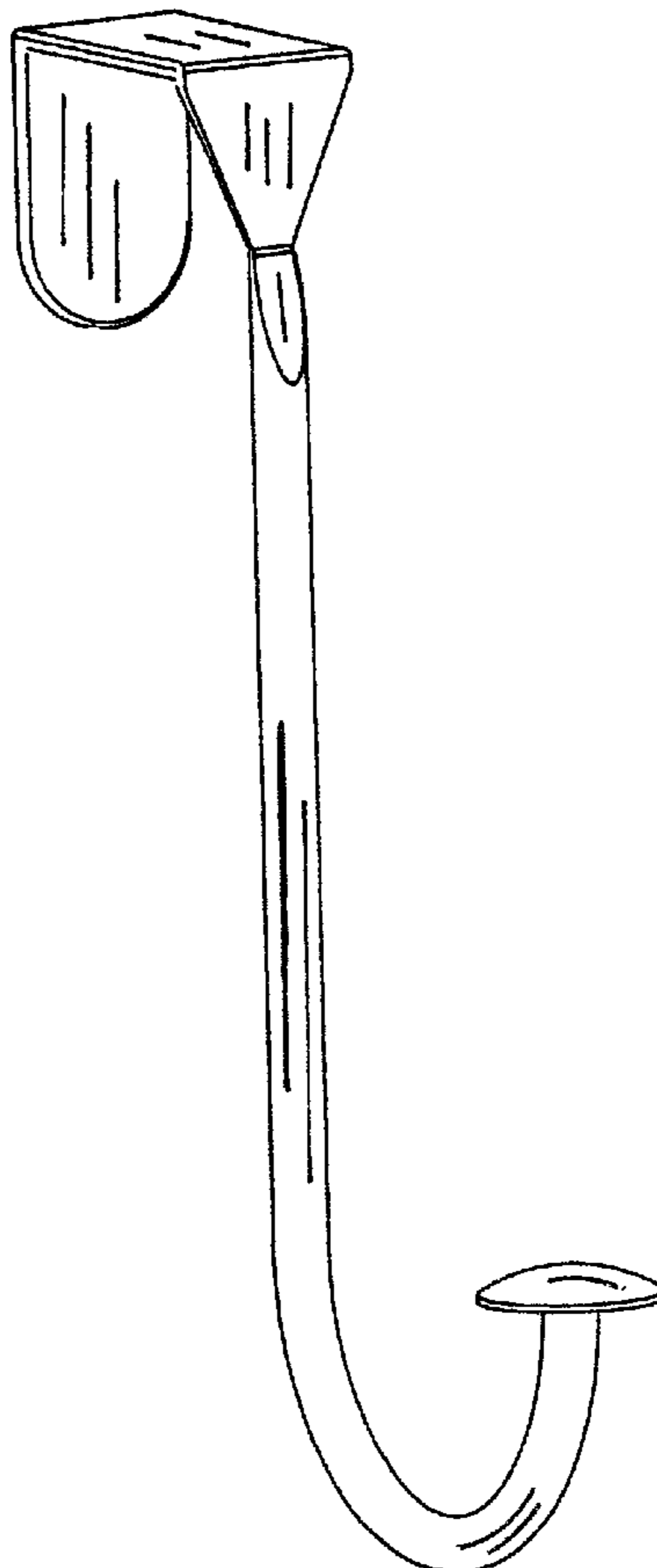
(57) **CLAIM**

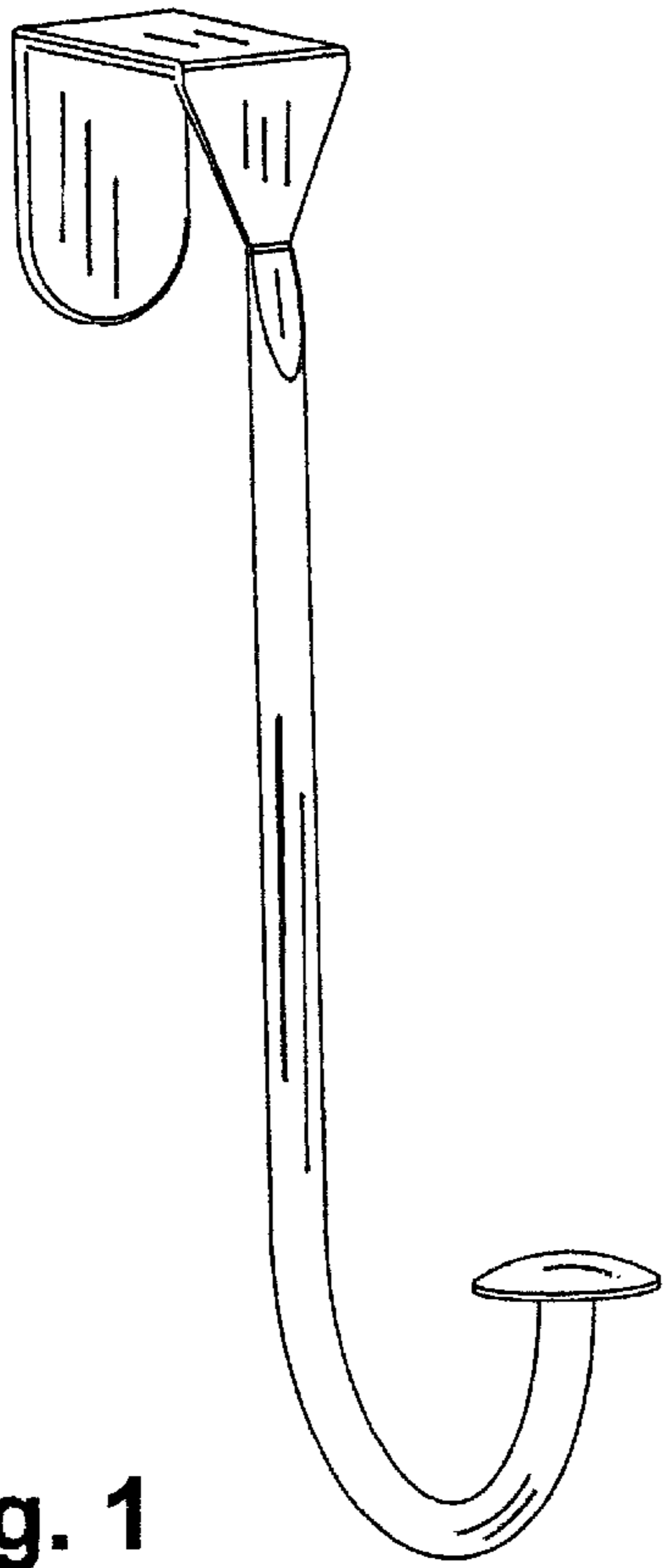
The ornamental design for an over-the-door hook, as shown and described.

**DESCRIPTION**

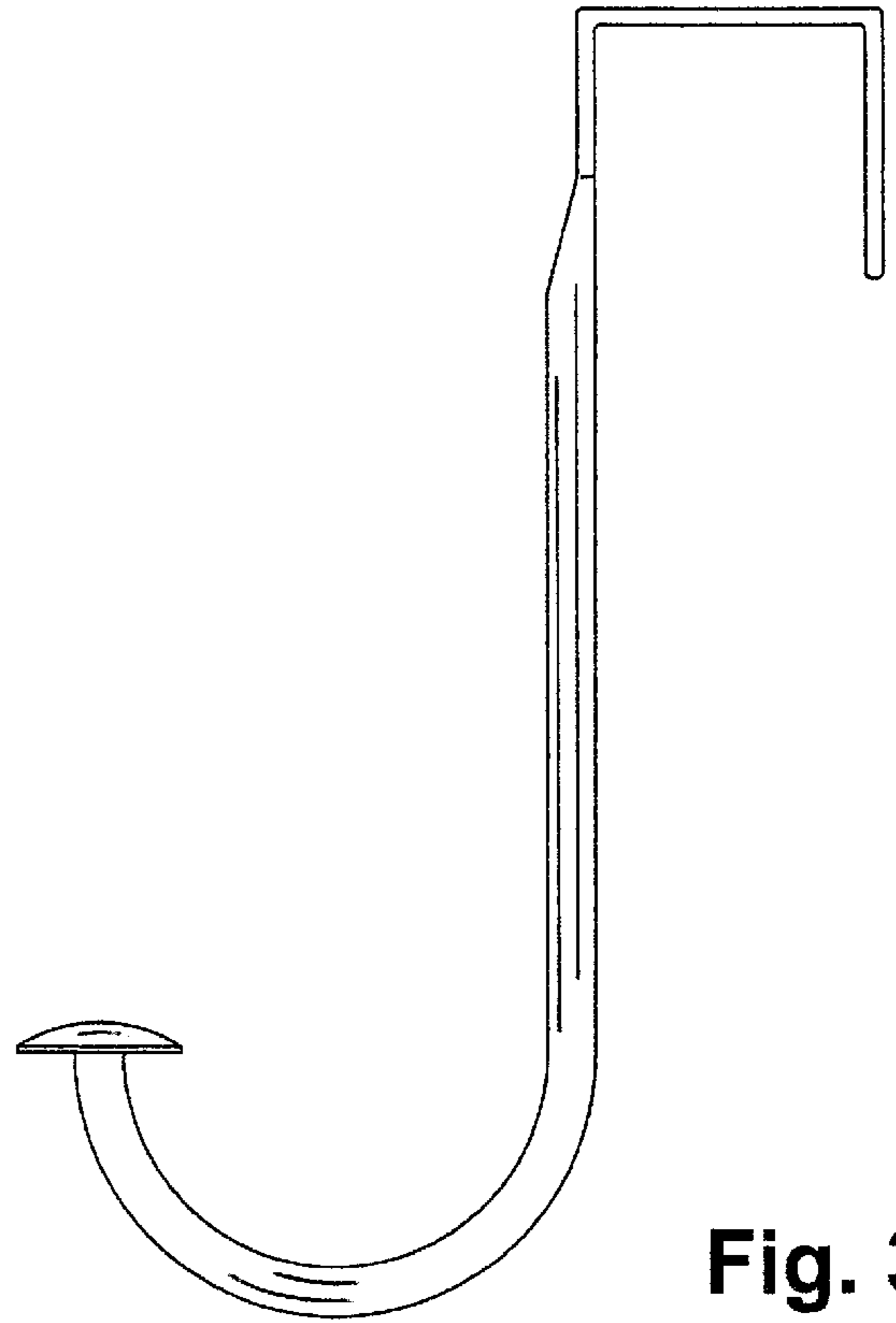
FIG. 1 is a side, top and front perspective view of an over-the-door hook showing our new design;  
 FIG. 2 is a front elevational view thereof;  
 FIG. 3 is a side elevational view thereof;  
 FIG. 4 is a rear elevational view thereof;  
 FIG. 5 is a top plan view thereof;  
 FIG. 6 is a bottom plan view thereof;  
 FIG. 7 is a side, top and front perspective view of a second embodiment of an over-the door-hook showing our new design;  
 FIG. 8 is a front elevational view thereof;  
 FIG. 9 is a side elevational view thereof;  
 FIG. 10 is a rear elevational view thereof;  
 FIG. 11 is a top plan view thereof; and,  
 FIG. 12 is a bottom plan view thereof.

**1 Claim, 4 Drawing Sheets**

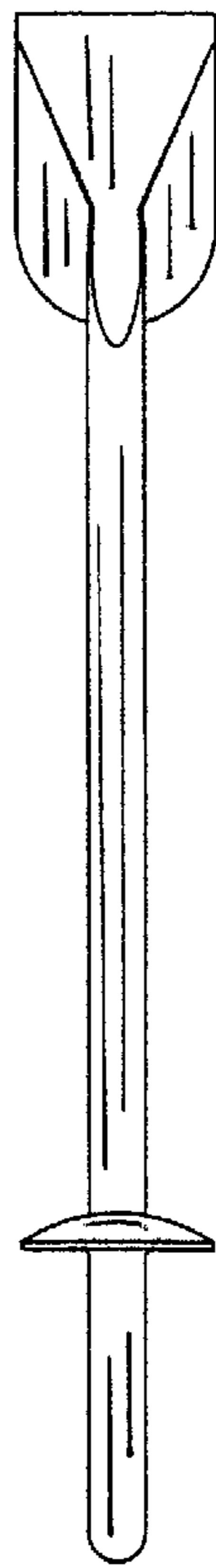




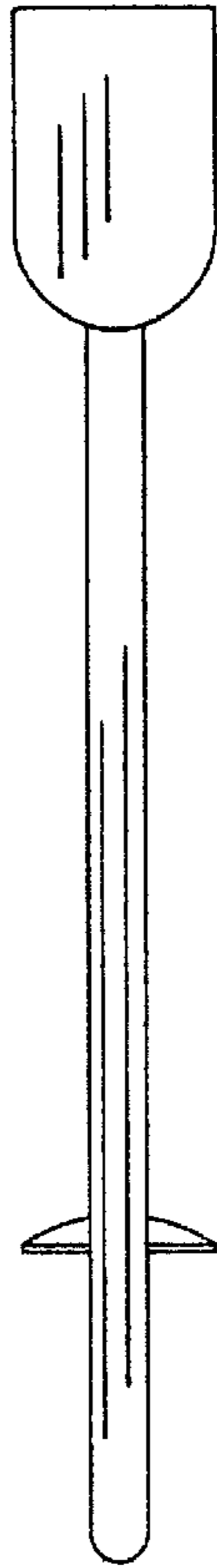
**Fig. 1**



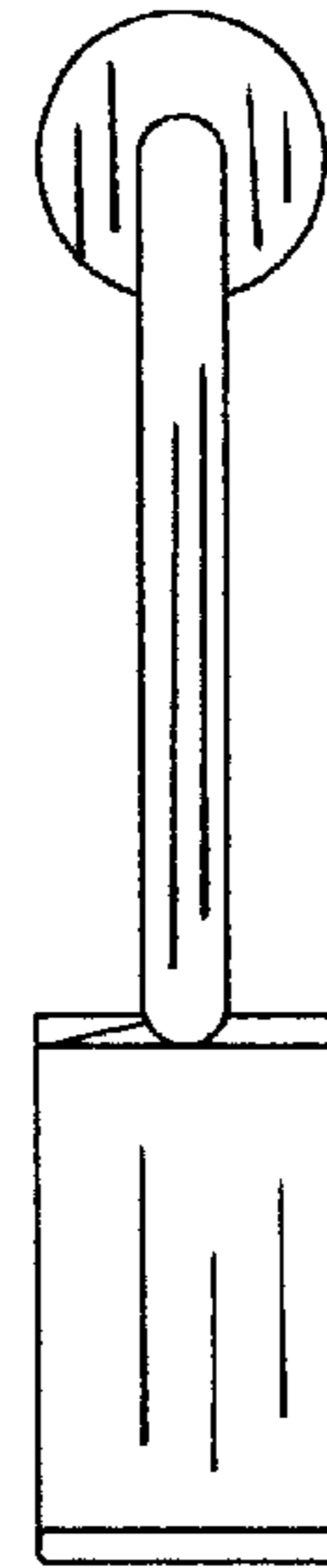
**Fig. 3**



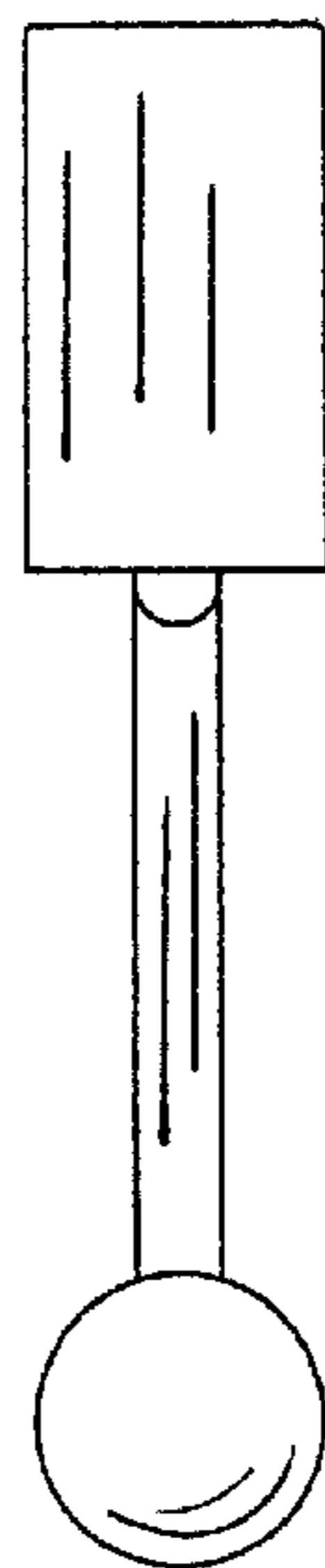
**Fig. 2**



**Fig. 4**



**Fig. 6**



**Fig. 5**

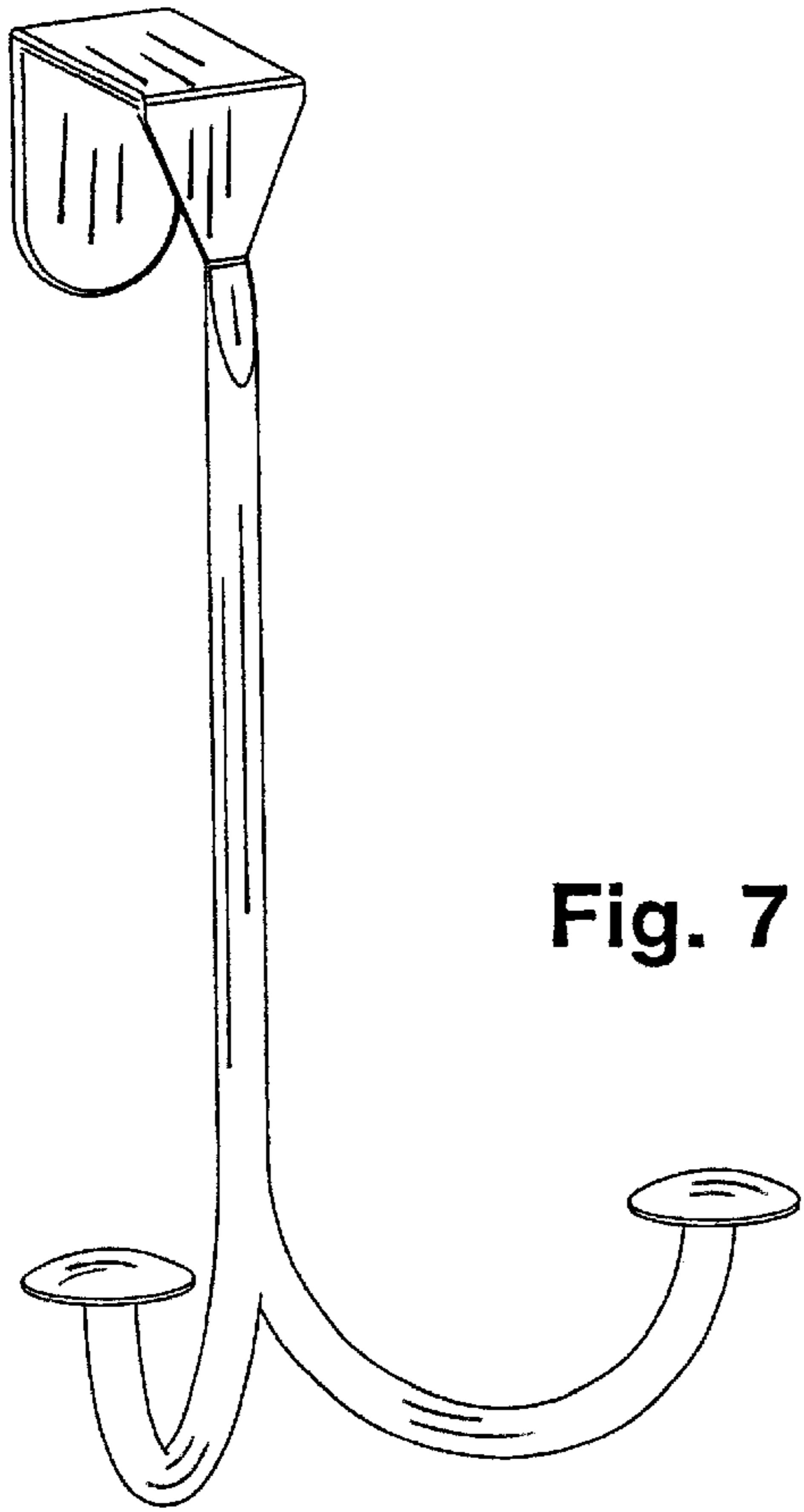


Fig. 7

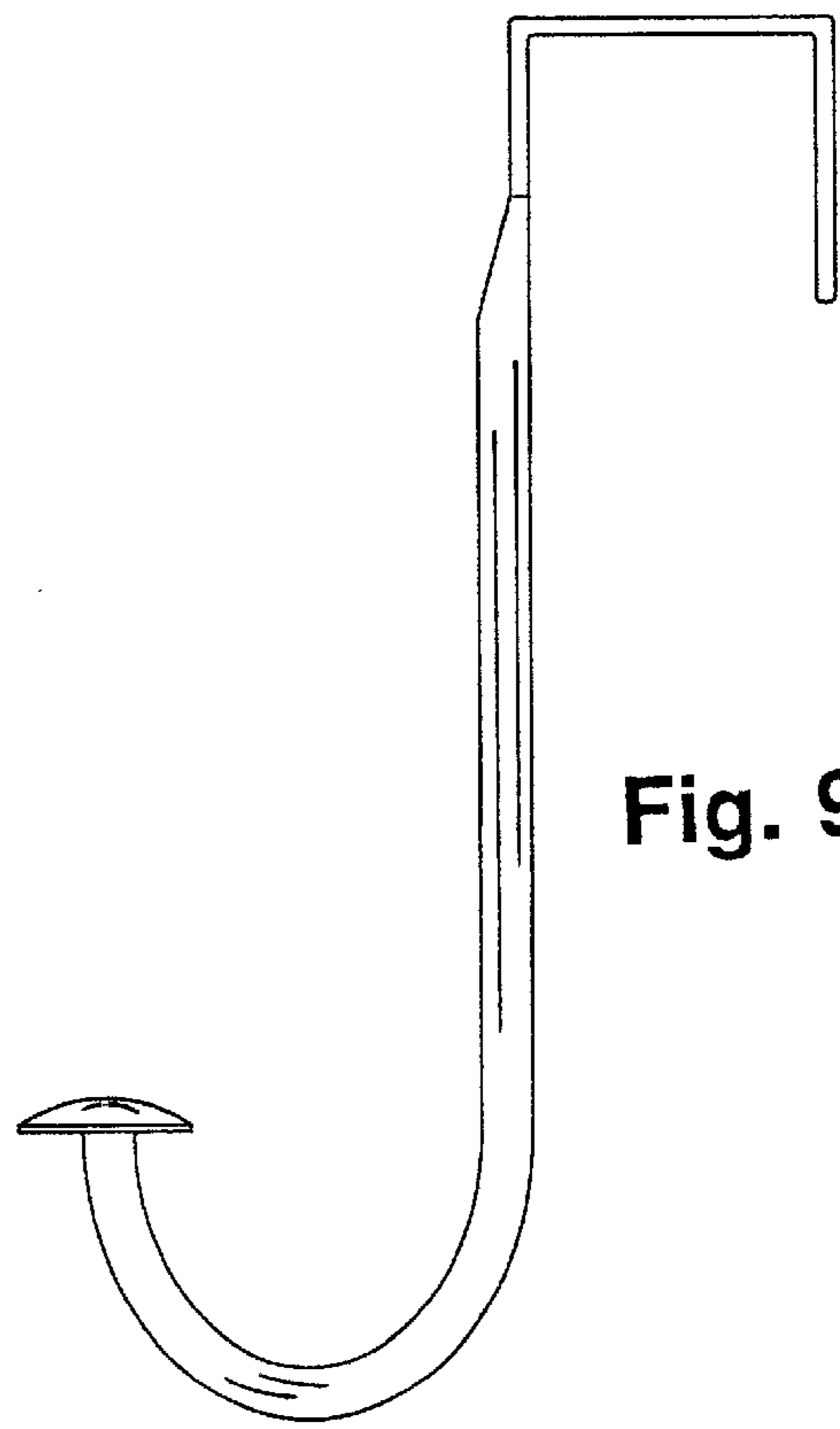


Fig. 9

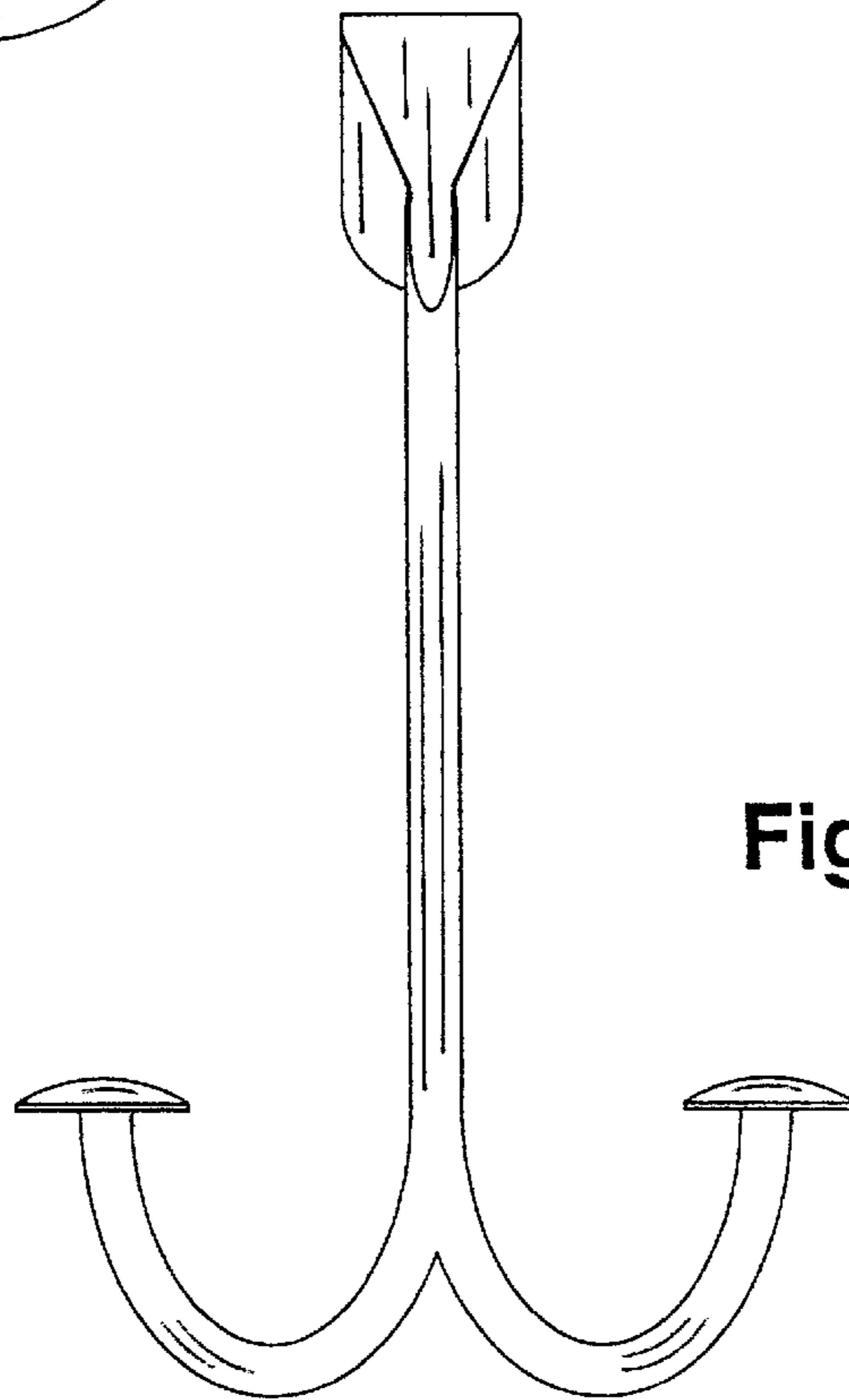


Fig. 8

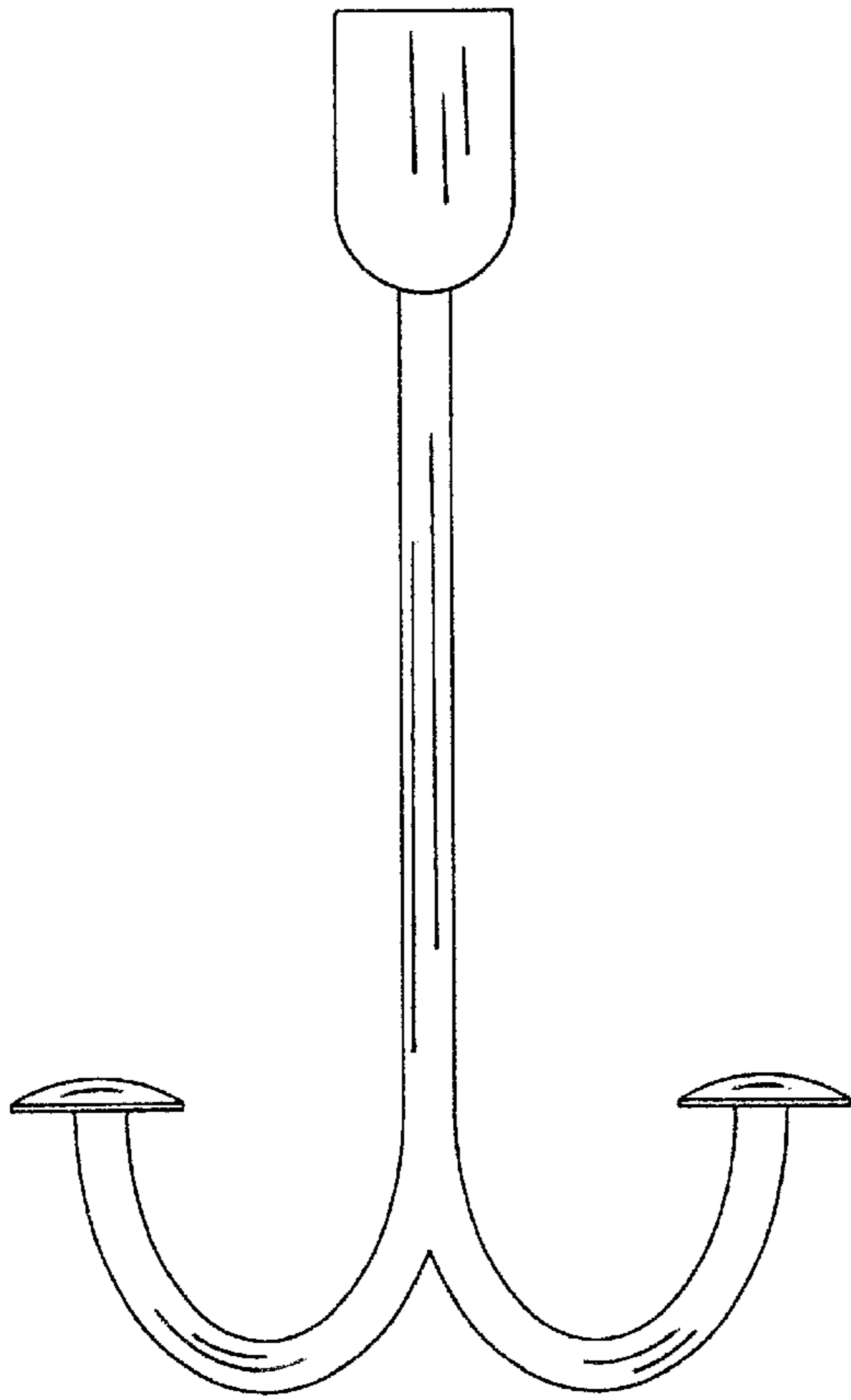


Fig. 10

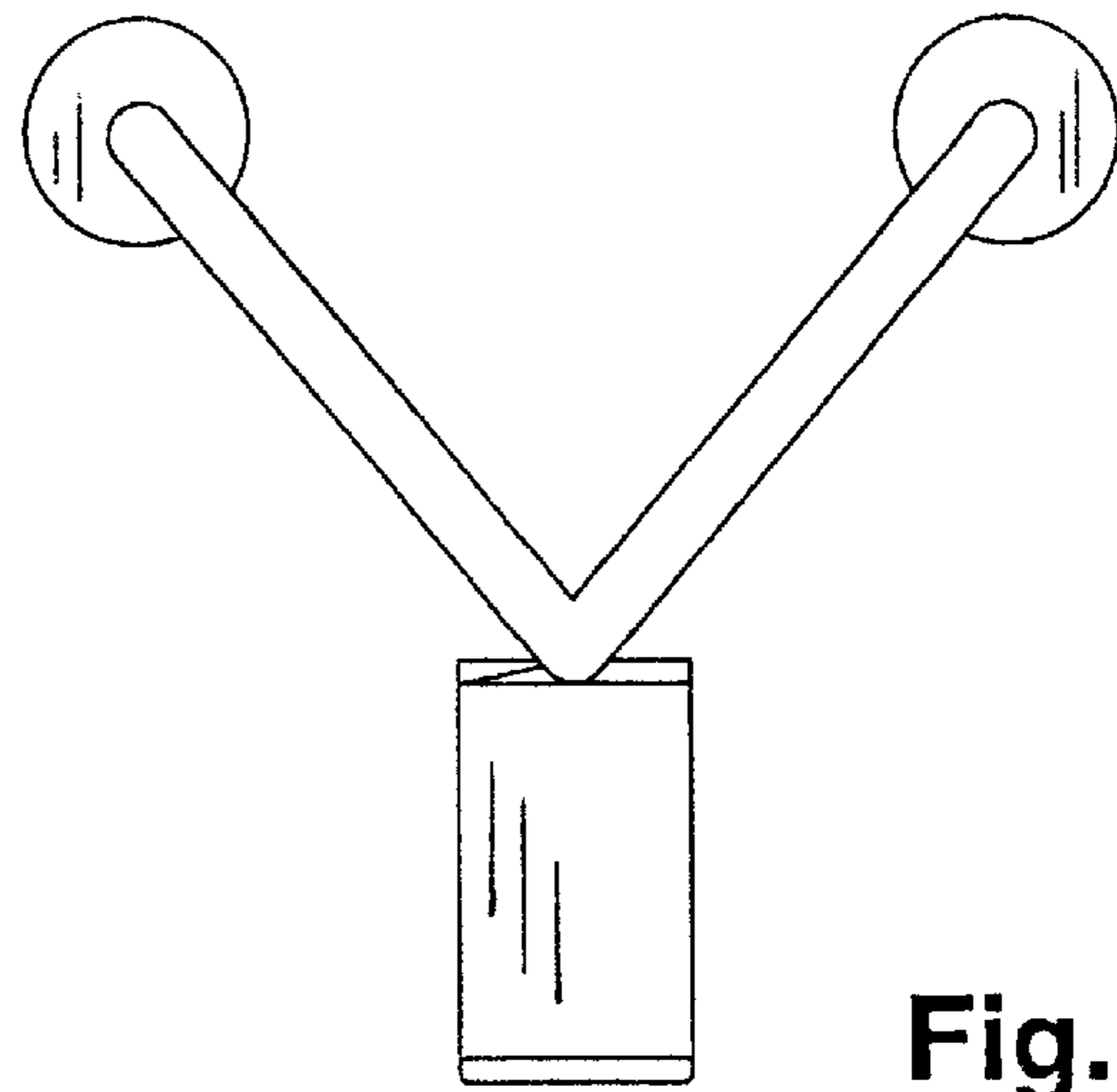


Fig. 12

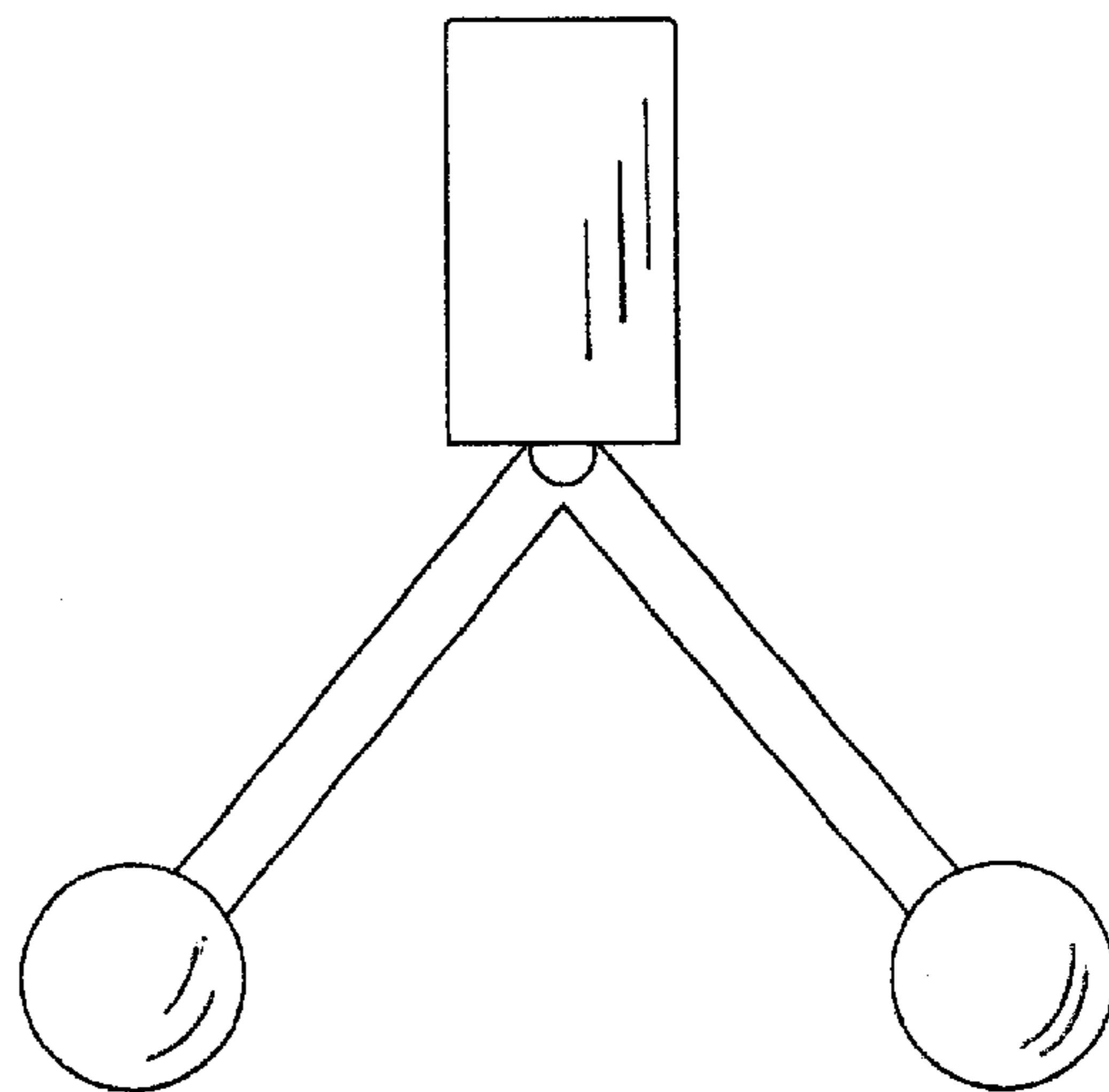


Fig. 11