



US00D455946S

(12) **United States Design Patent**
Ausilio

(10) **Patent No.:** **US D455,946 S**

(45) **Date of Patent:** **** Apr. 23, 2002**

(54) **POSITIONING BRACKET**

5,601,358 A * 2/1997 Chien 248/911
D439,137 S * 3/2001 Ausilio D8/354

(75) Inventor: **John S. Ausilio**, Clinton Township, MI (US)

* cited by examiner

(73) Assignee: **Ultimate Standard Tooling International LLC**, Clinton Township, MI (US)

Primary Examiner—Pamela Burgess
(74) *Attorney, Agent, or Firm*—Duane Morris LLP

(**) Term: **14 Years**

(57) **CLAIM**

The ornamental design for a positioning bracket, as shown and described.

(21) Appl. No.: **29/143,903**

DESCRIPTION

(22) Filed: **Jun. 21, 2001**

FIG. 1 is a front perspective view of the positioning bracket according to the invention;

(51) **LOC (7) Cl.** **08-05**

FIG. 2 is a right perspective view of the positioning bracket;

(52) **U.S. Cl.** **D8/354**

FIG. 3 is a front view of the positioning bracket;

(58) **Field of Search** D8/356, 354, 349;
248/300, 200, 309.1, 911, 72

FIG. 4 is a back view of the positioning bracket;

FIG. 5 is a left view of the positioning bracket;

FIG. 6 is a right view of the positioning bracket;

FIG. 7 is a top view of the positioning bracket; and,

FIG. 8 is a bottom view of the positioning bracket.

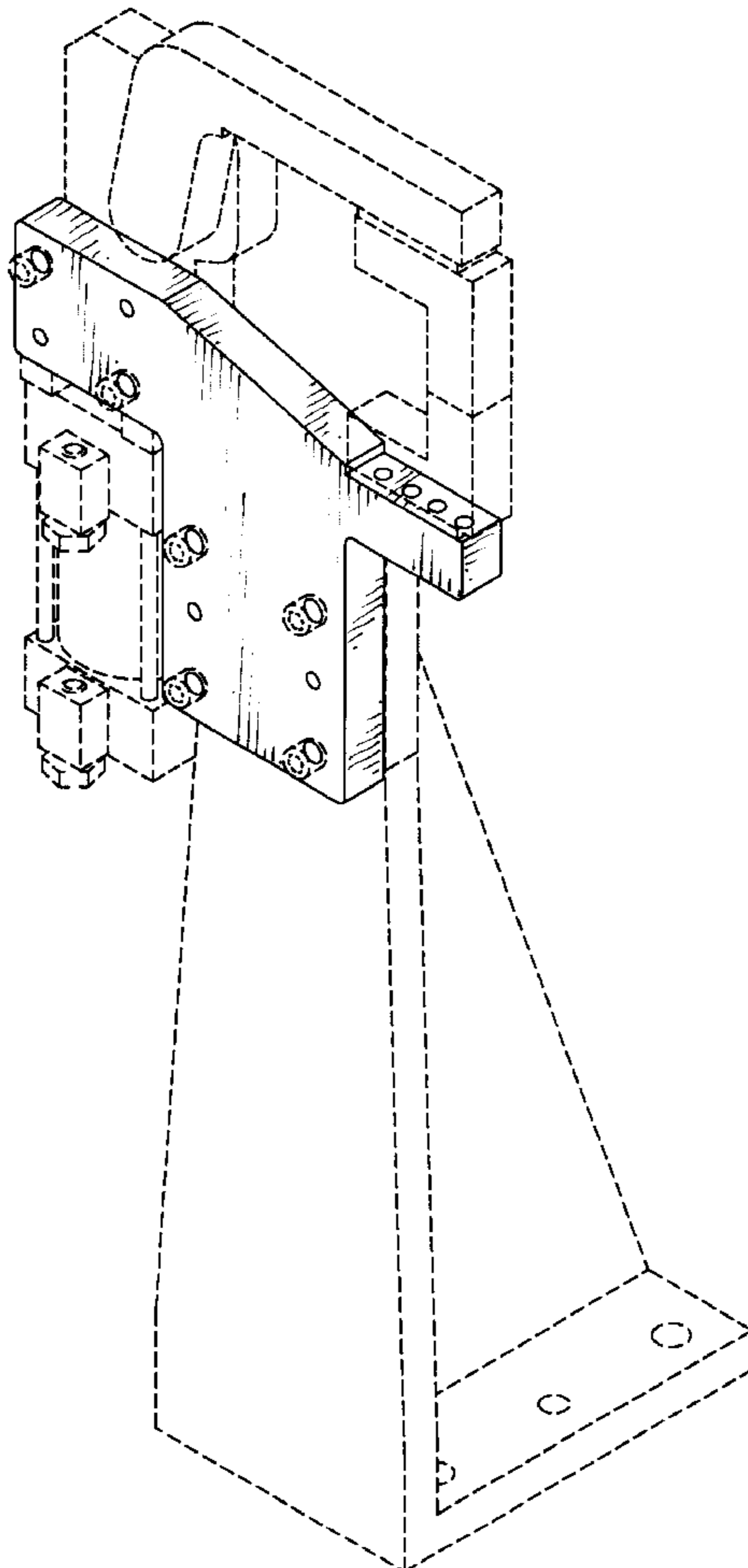
(56) **References Cited**

U.S. PATENT DOCUMENTS

1,722,755 A * 7/1929 Koopmans 248/300
2,703,688 A * 3/1955 Shuter 248/72
D289,008 S * 3/1987 Hamel D8/356

The broken line showing of structure is for illustrative purposes only and forms no part of the claimed design.

1 Claim, 4 Drawing Sheets



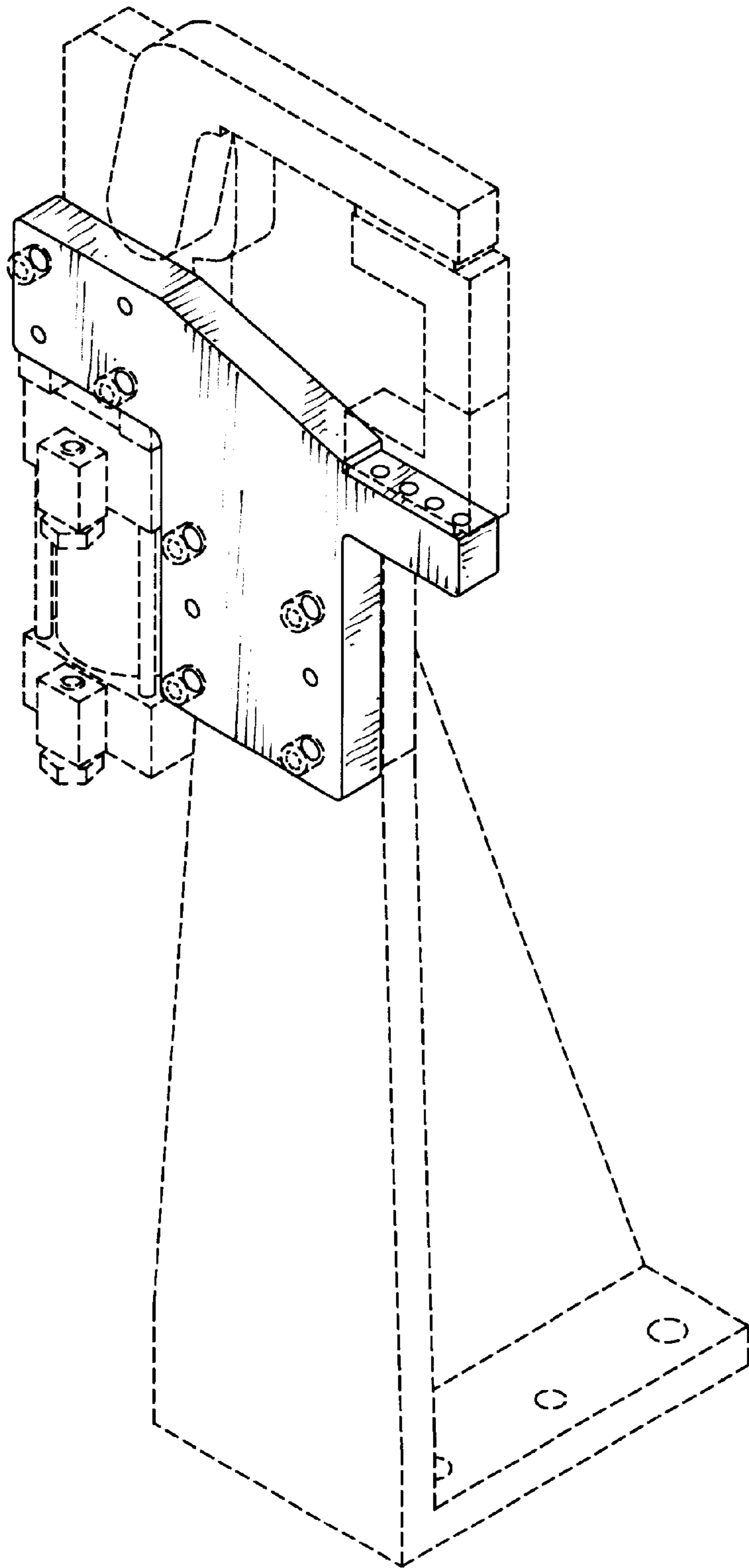


FIG. 1

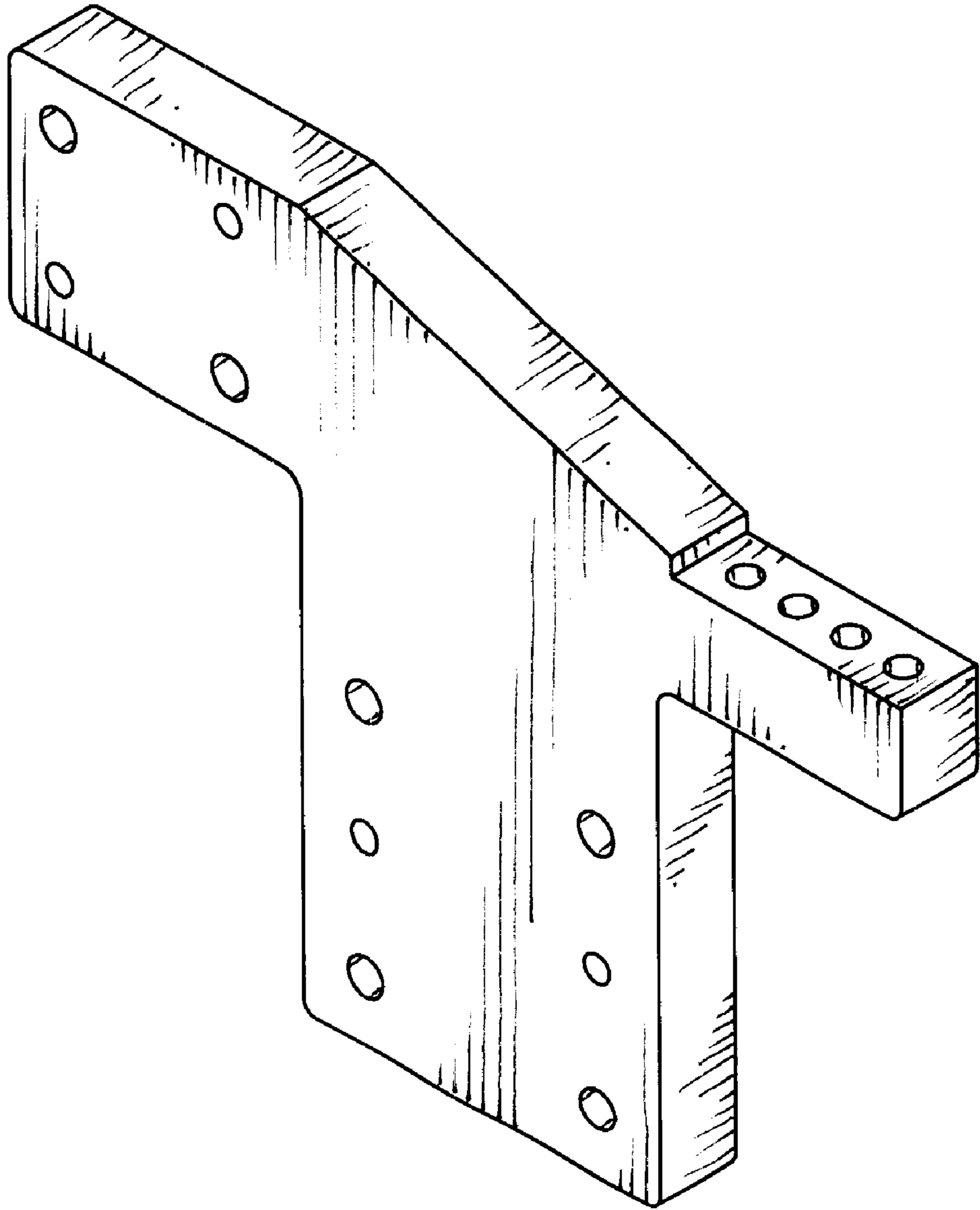


FIG. 2

FIG. 3

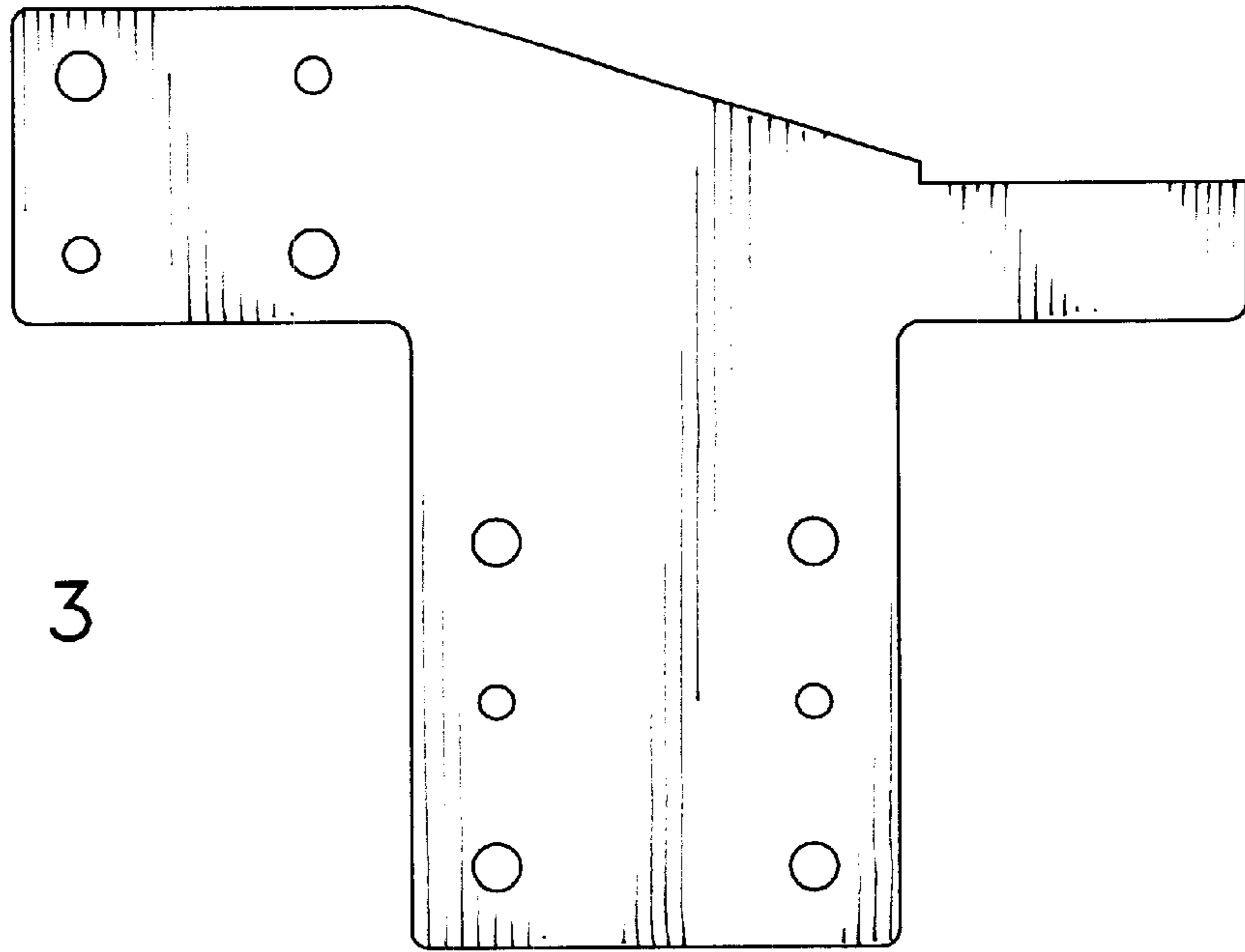
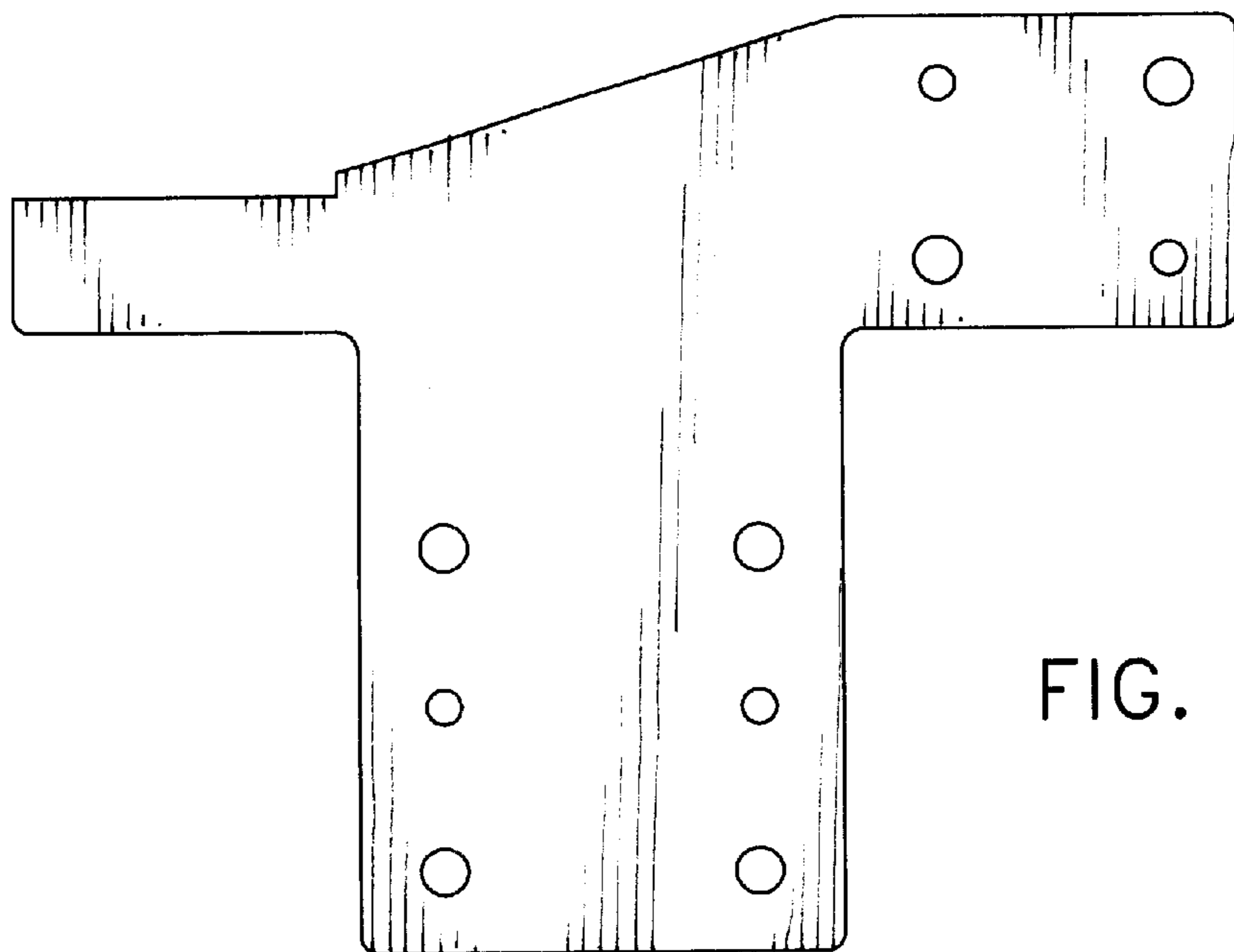


FIG. 4



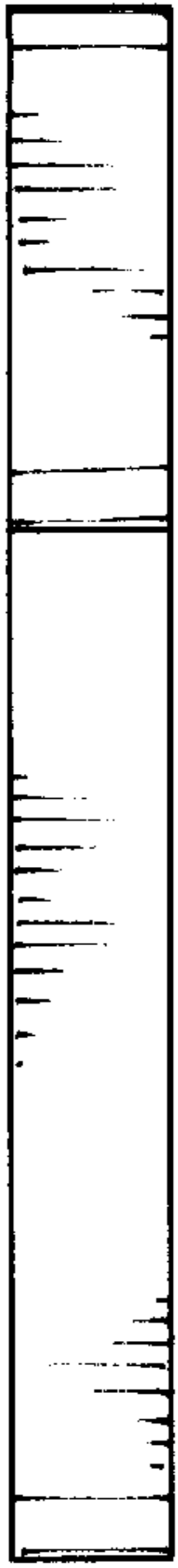


FIG. 5

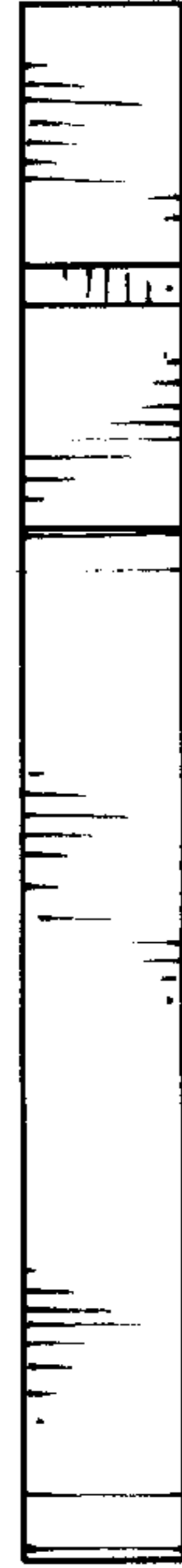


FIG. 6

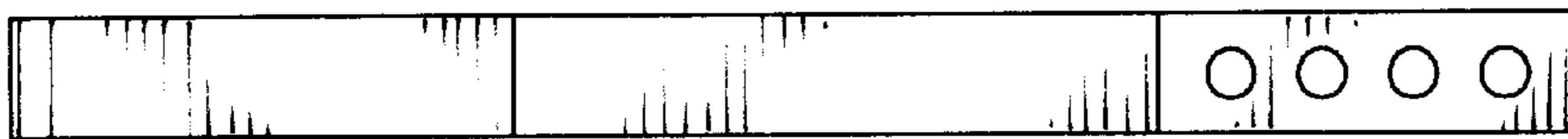


FIG. 7

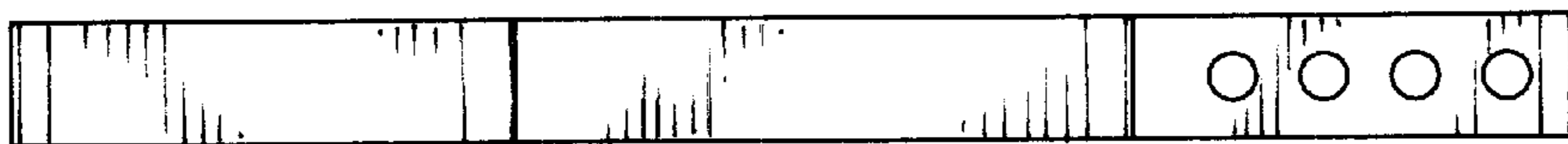


FIG. 8