



US00D455944S

(12) **United States Design Patent**
Chen

(10) **Patent No.:** **US D455,944 S**

(45) **Date of Patent:** **** Apr. 23, 2002**

(54) **TOOL HANDLE**

(76) Inventor: **Kun-Chen Chen**, No. 6, Lane 609,
Sec. 1, Chung-Shan Rd., Ye-Her Li,
Ta-Chia Chen, Taichung Hsien (TW)

(**) Term: **14 Years**

(21) Appl. No.: **29/139,531**

(22) Filed: **Apr. 18, 2001**

(51) **LOC (7) Cl.** **08-04**

(52) **U.S. Cl.** **D8/107; D8/83**

(58) **Field of Search** D8/82, 83, 87,
D8/107, 24, 98, 99, 303, 312; D7/393,
395, 642, 645; 81/436-440, 177.1, 489;
30/166 R, 340; 16/110.1, 421, 422, 426,
430, 431

(56) **References Cited**

U.S. PATENT DOCUMENTS

D441,269 S * 5/2001 Tsai D8/83
D443,193 S * 6/2001 Chen D8/107
D446,105 S * 8/2001 Hsiao D8/107

* cited by examiner

Primary Examiner—Alan P. Douglas

Assistant Examiner—Clare E. Heflin

(74) *Attorney, Agent, or Firm*—Jackson Walker L.L.P.

(57) **CLAIM**

The ornamental design for a tool handle, as shown and described.

DESCRIPTION

FIG. 1 is a perspective view of a tool handle showing my new design;

FIG. 2 is a front elevational view thereof;

FIG. 3 is a rear elevational view thereof;

FIG. 4 is a left side view thereof;

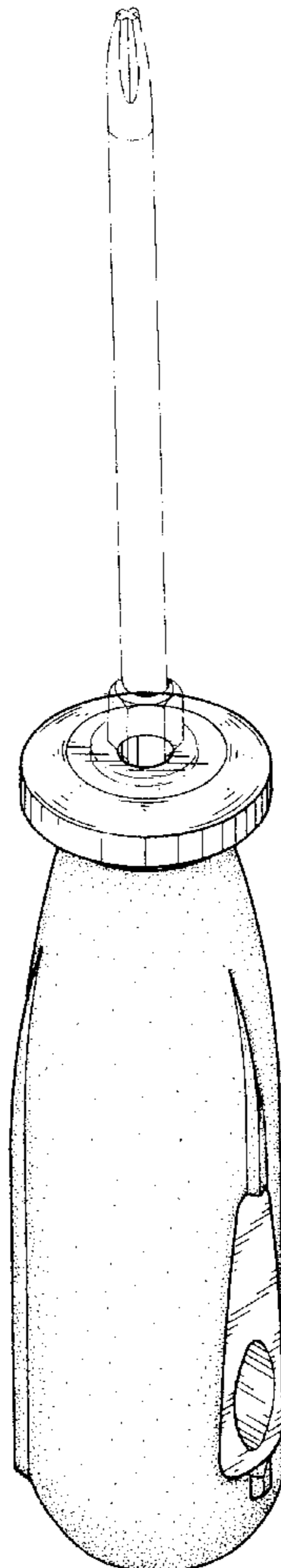
FIG. 5 is a right side view thereof;

FIG. 6 is a top plan view thereof;

FIG. 7 is a bottom plan view thereof; and,

FIG. 8 is a perspective view showing the application thereof, wherein the broken line portion is for illustrative purpose only and forms no part of the claimed design.

1 Claim, 4 Drawing Sheets



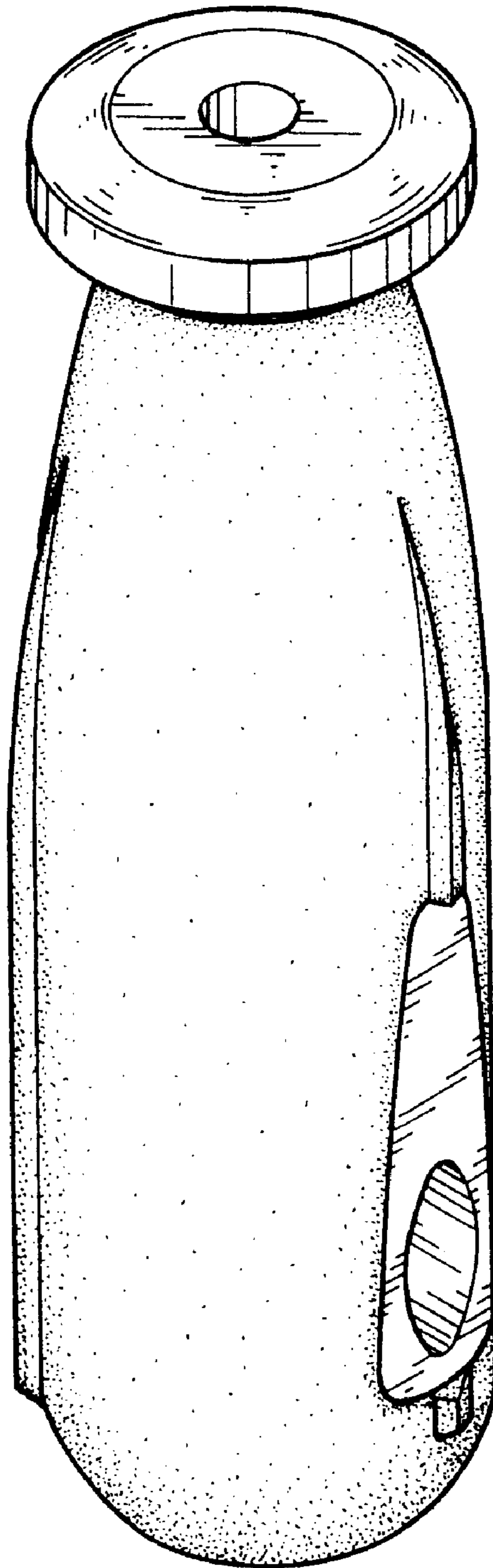


FIG. 1

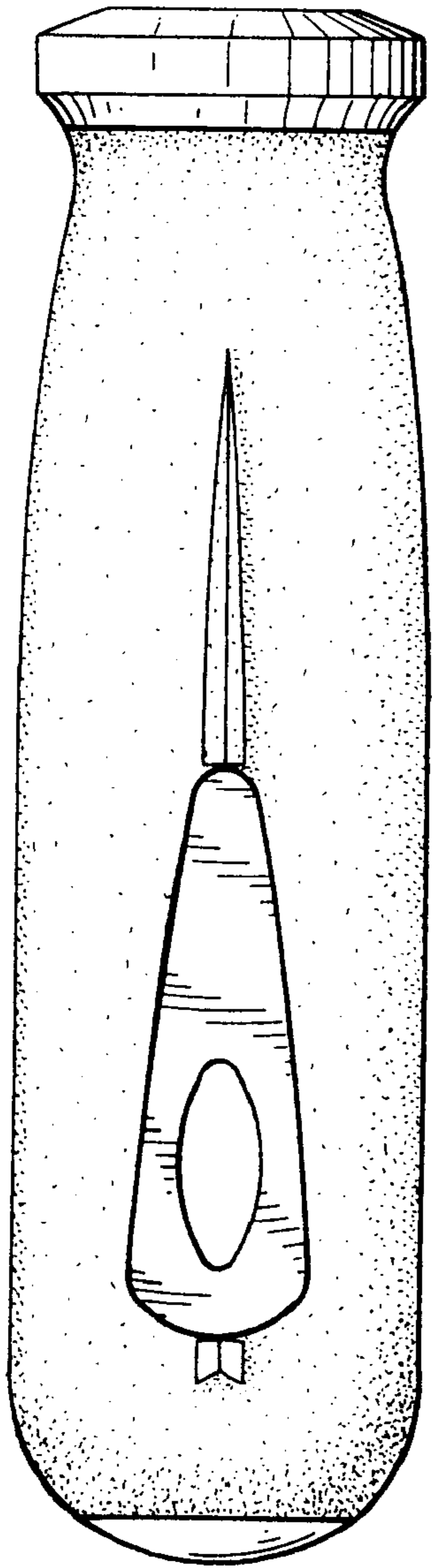


FIG. 2

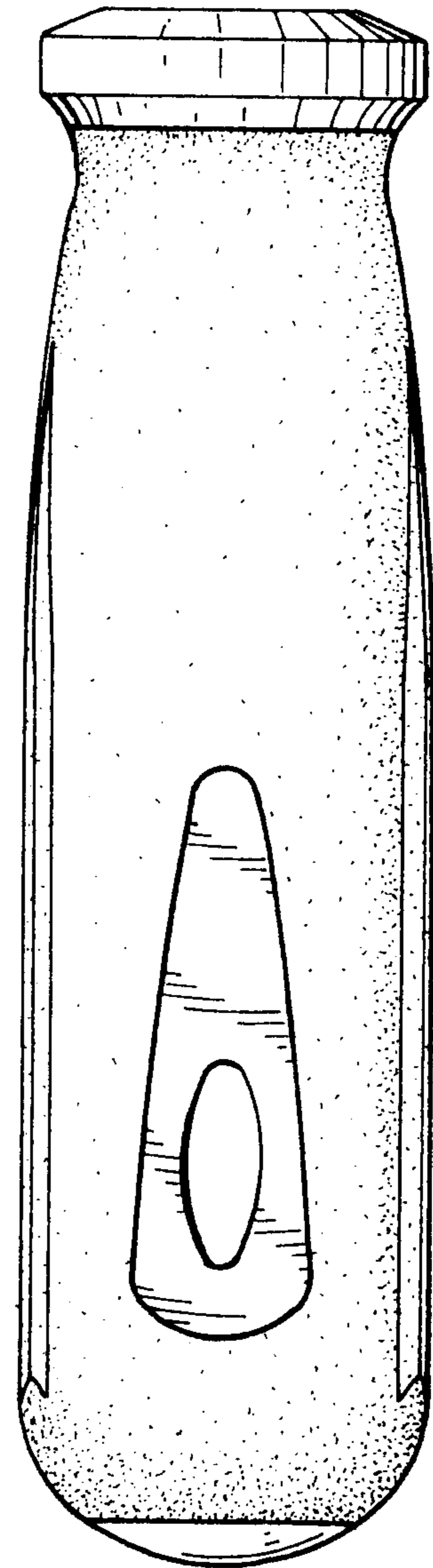


FIG. 3

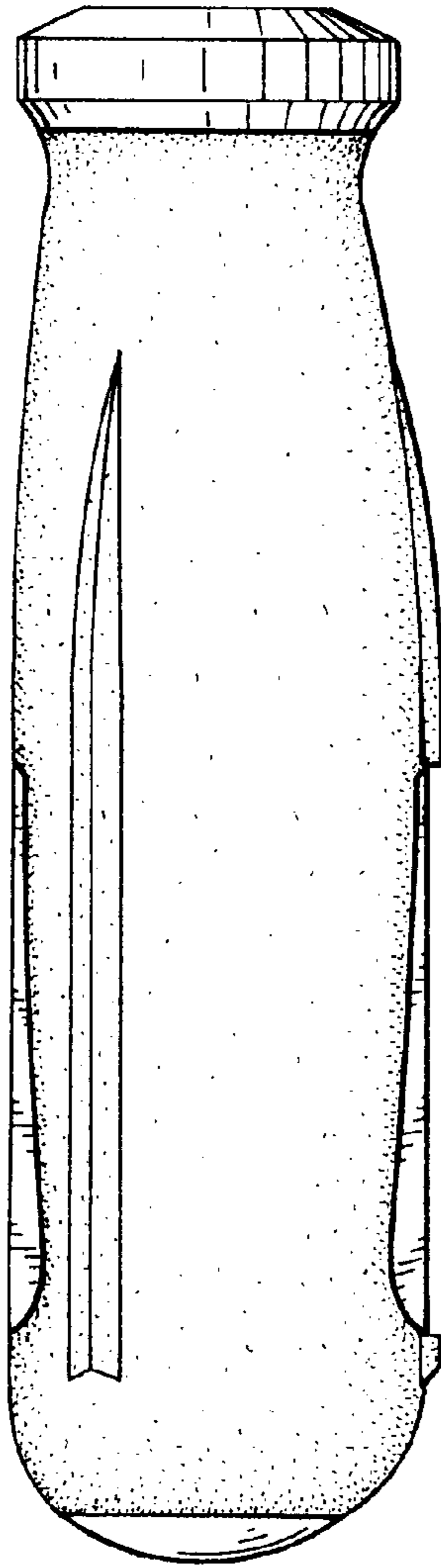


FIG. 4

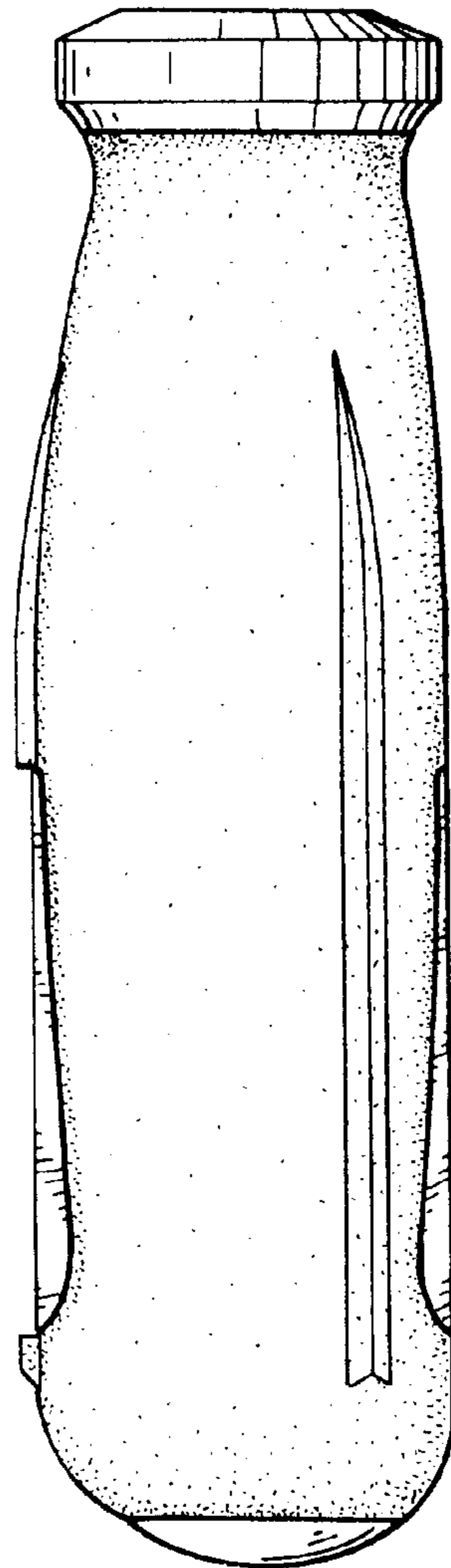


FIG. 5

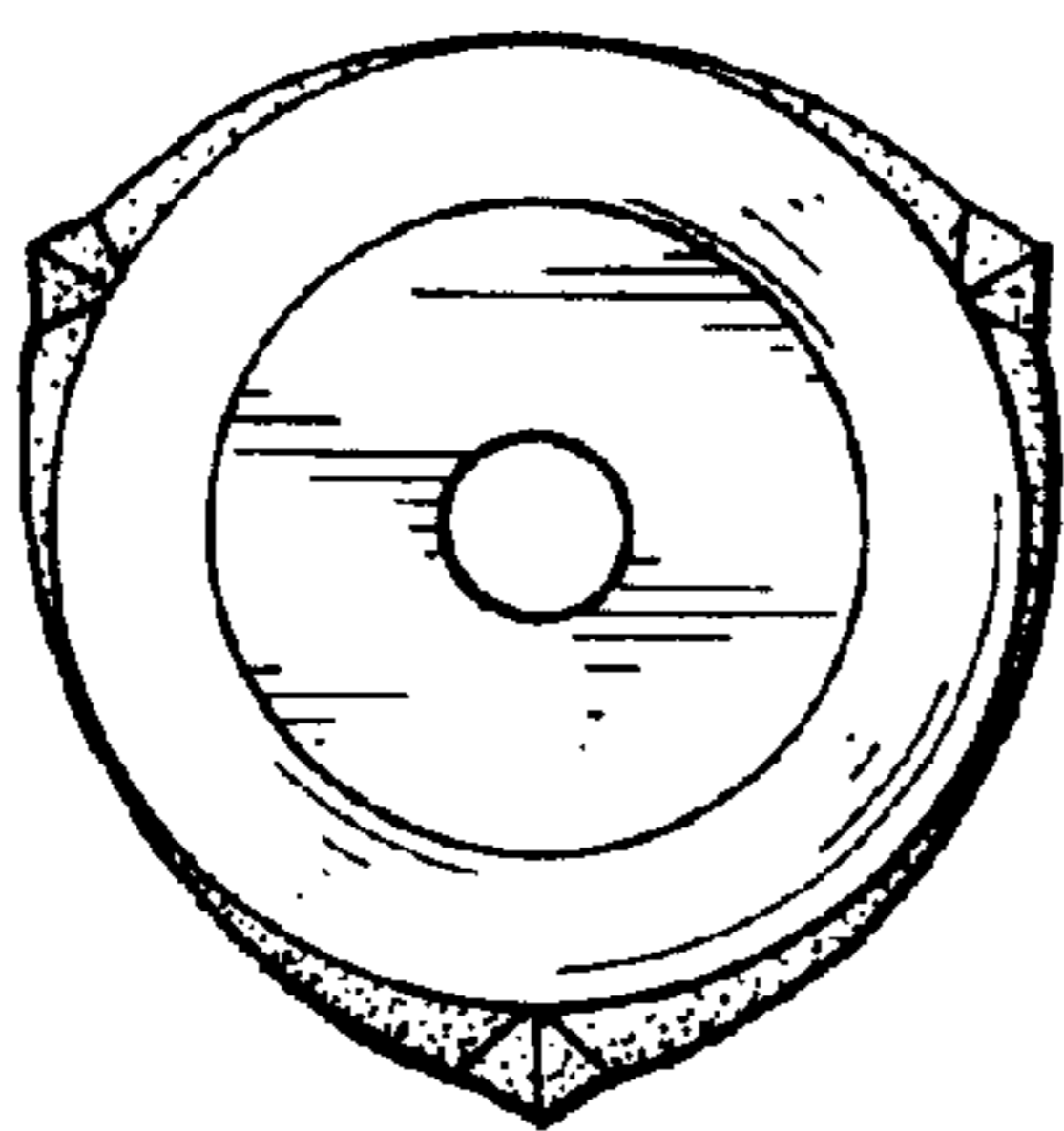


FIG. 6

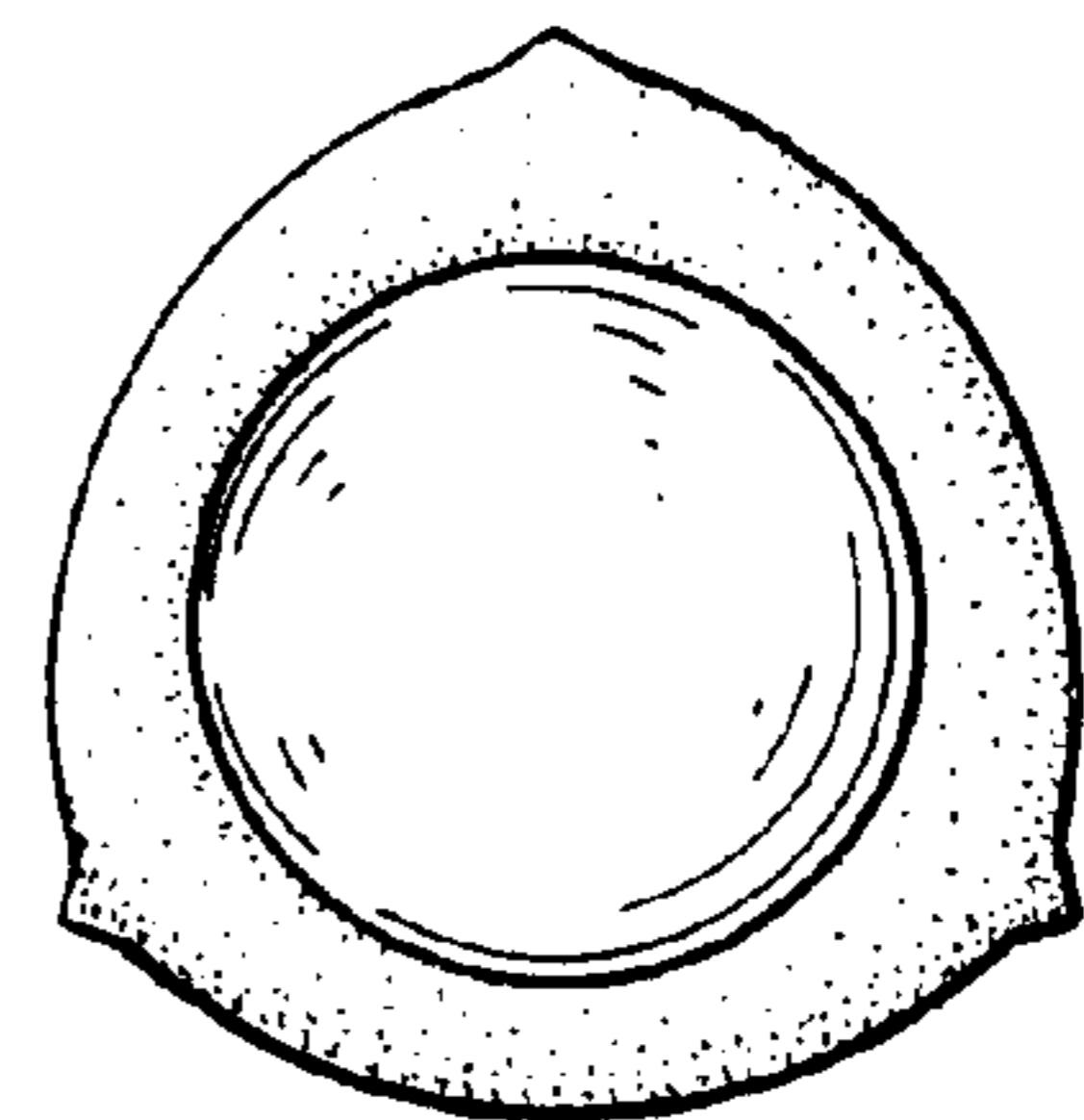


FIG. 7

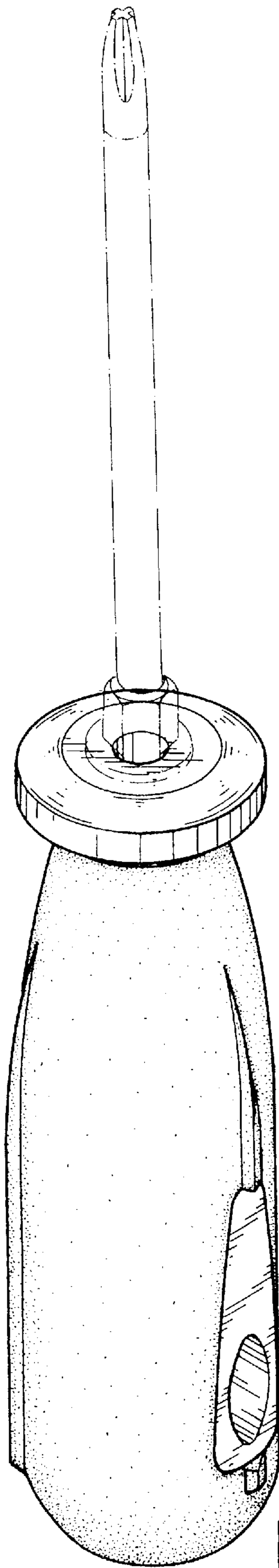


FIG. 8