



US00D455940S

(12) **United States Design Patent**
Tse

(10) **Patent No.:** **US D455,940 S**

(45) **Date of Patent:** **** Apr. 23, 2002**

(54) **CAN OPENER**

D405,332 S * 2/1999 So D8/39
D406,026 S * 2/1999 So D8/39

(75) Inventor: **Kwok Kay Tse**, Kowloon (HK)

* cited by examiner

(73) Assignee: **ISIS Technology Limited**, Kowloon (CN)

Primary Examiner—Caron D. Veynar

(74) *Attorney, Agent, or Firm*—Alix, Yale & Ristas, LLP

(**) Term: **14 Years**

(57) **CLAIM**

(21) Appl. No.: **29/138,328**

The ornamental design for a can opener, as shown and described.

(22) Filed: **Mar. 9, 2001**

DESCRIPTION

(51) **LOC (7) Cl.** **07-99**

FIG. 1 is a front view perspective of the can opener showing my new design;

(52) **U.S. Cl.** **D8/39**

FIG. 2 is a front view of the can opener of FIG. 1;

(58) **Field of Search** D8/33-43; 7/151-156; 81/3.07-3.49

FIG. 3 is a rear view of the can opener of FIG. 1;

FIG. 4 is a left side view of the can opener of FIG. 1;

FIG. 5 is a right side view of the can opener of FIG. 1;

FIG. 6 is a top plan view of the can opener of FIG. 1; and,

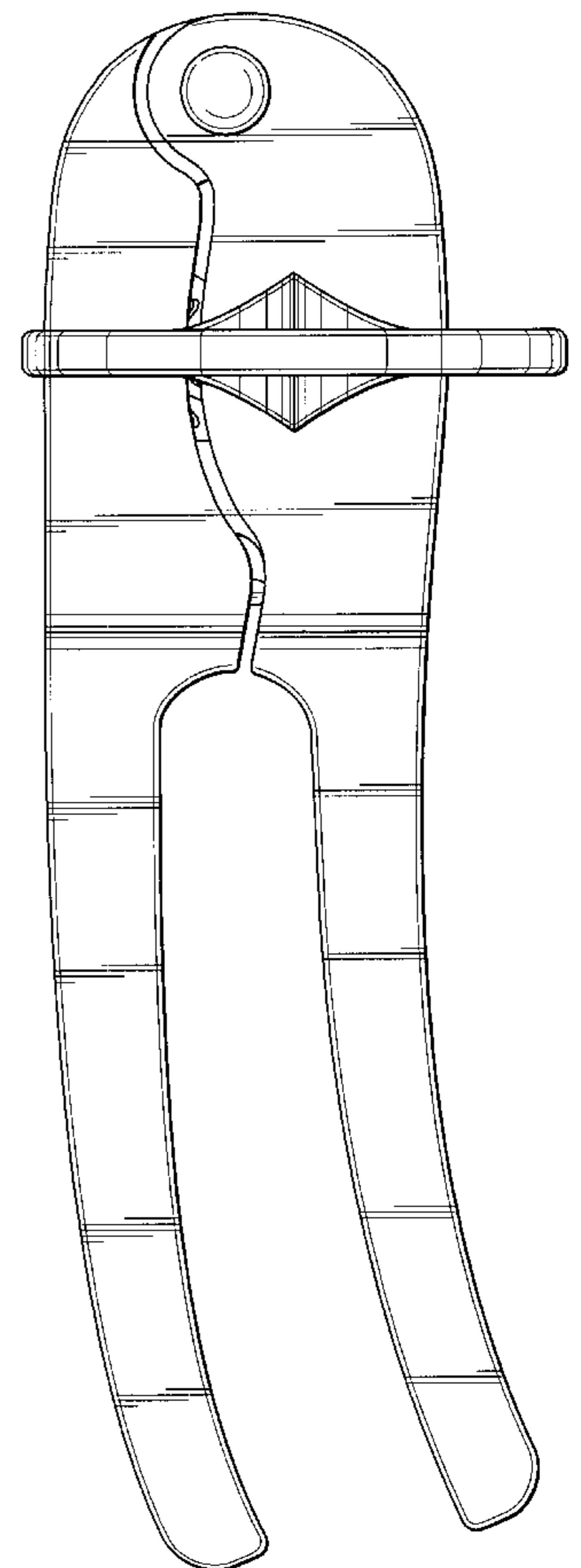
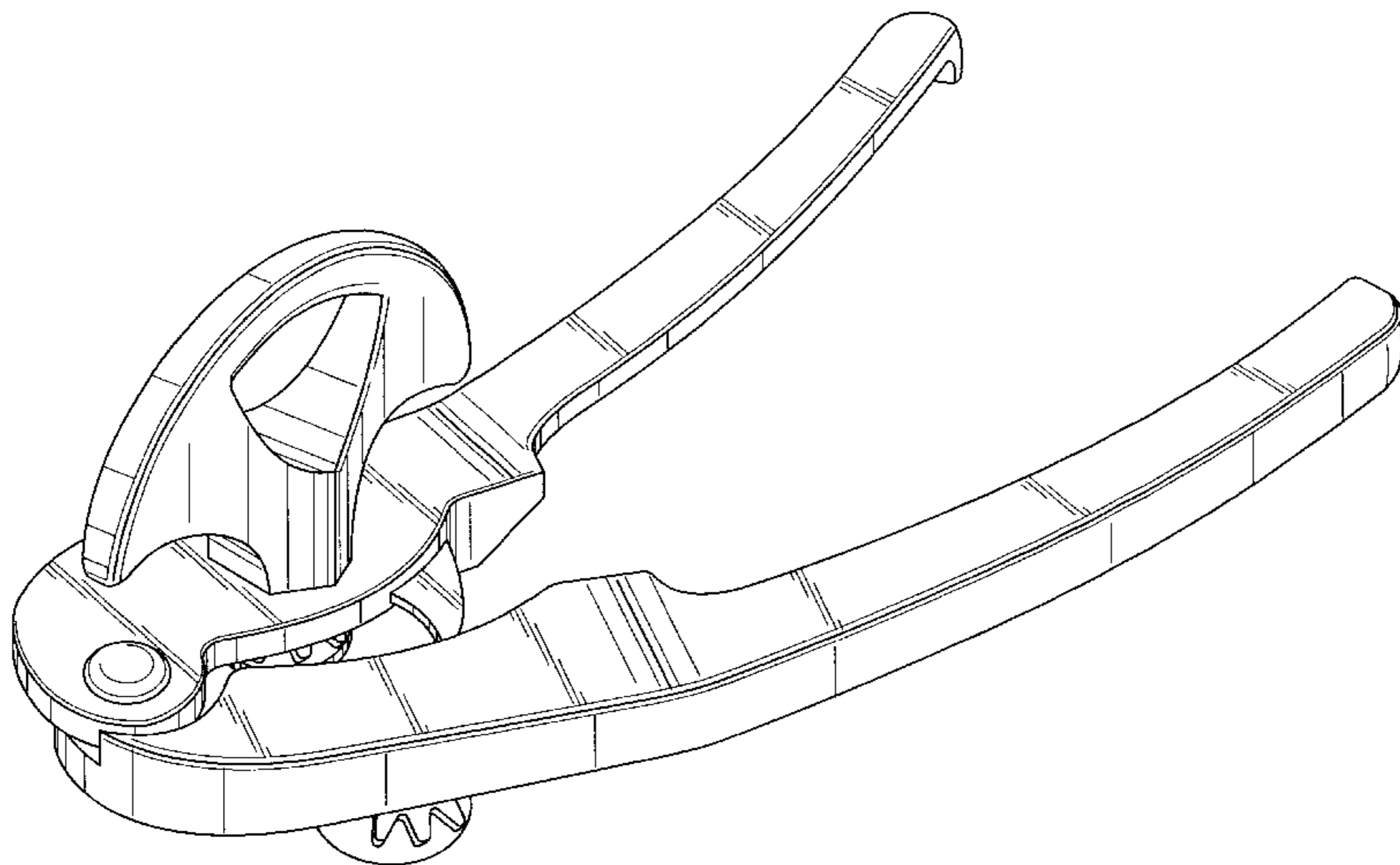
FIG. 7 is a bottom plan view of the can opener of FIG. 1.

(56) **References Cited**

U.S. PATENT DOCUMENTS

D266,979 S * 11/1982 Steiner et al. D8/39
D304,900 S * 12/1989 Miquelot D8/39
D362,379 S * 9/1995 Tekaas D8/39

1 Claim, 6 Drawing Sheets



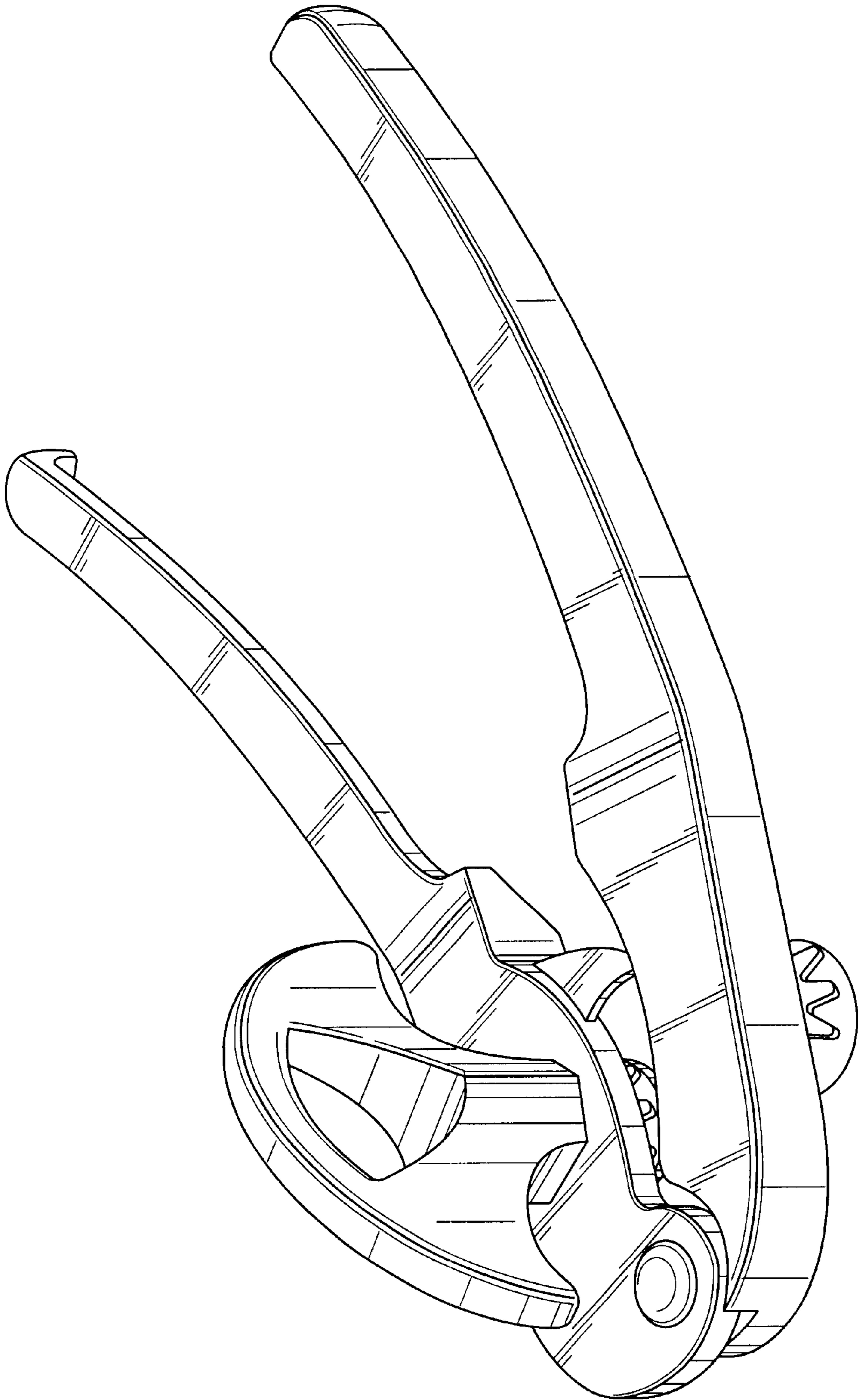


FIG. 1

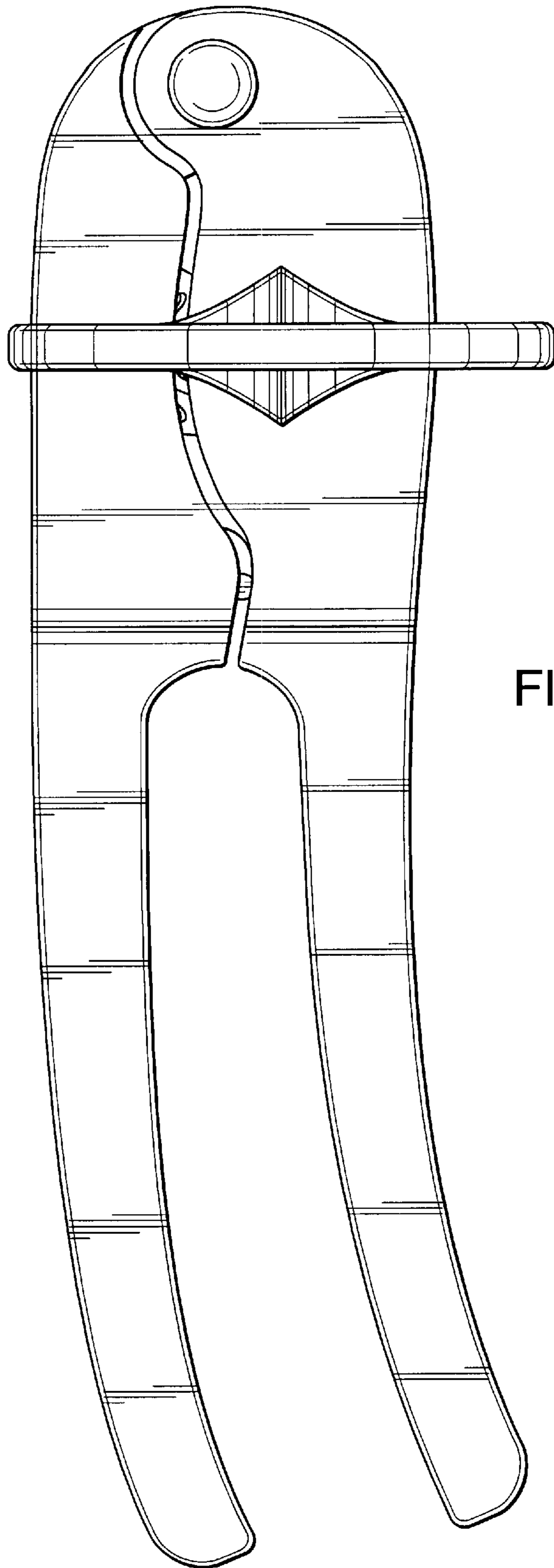


FIG. 2

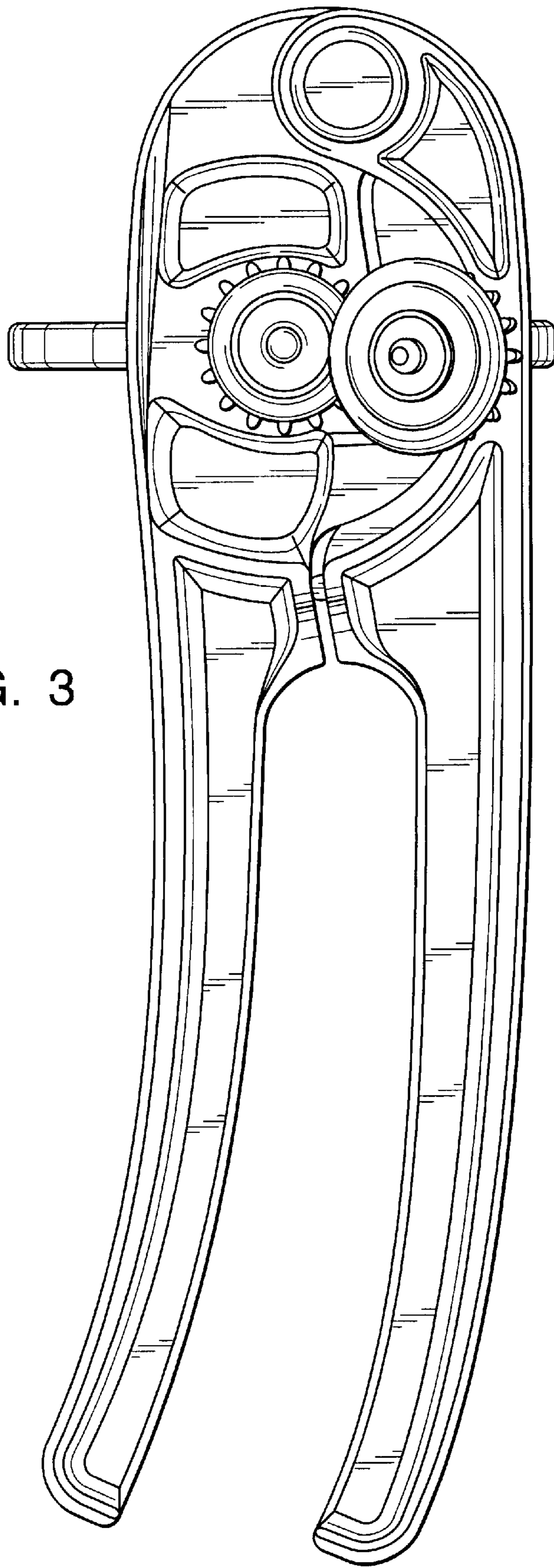


FIG. 3

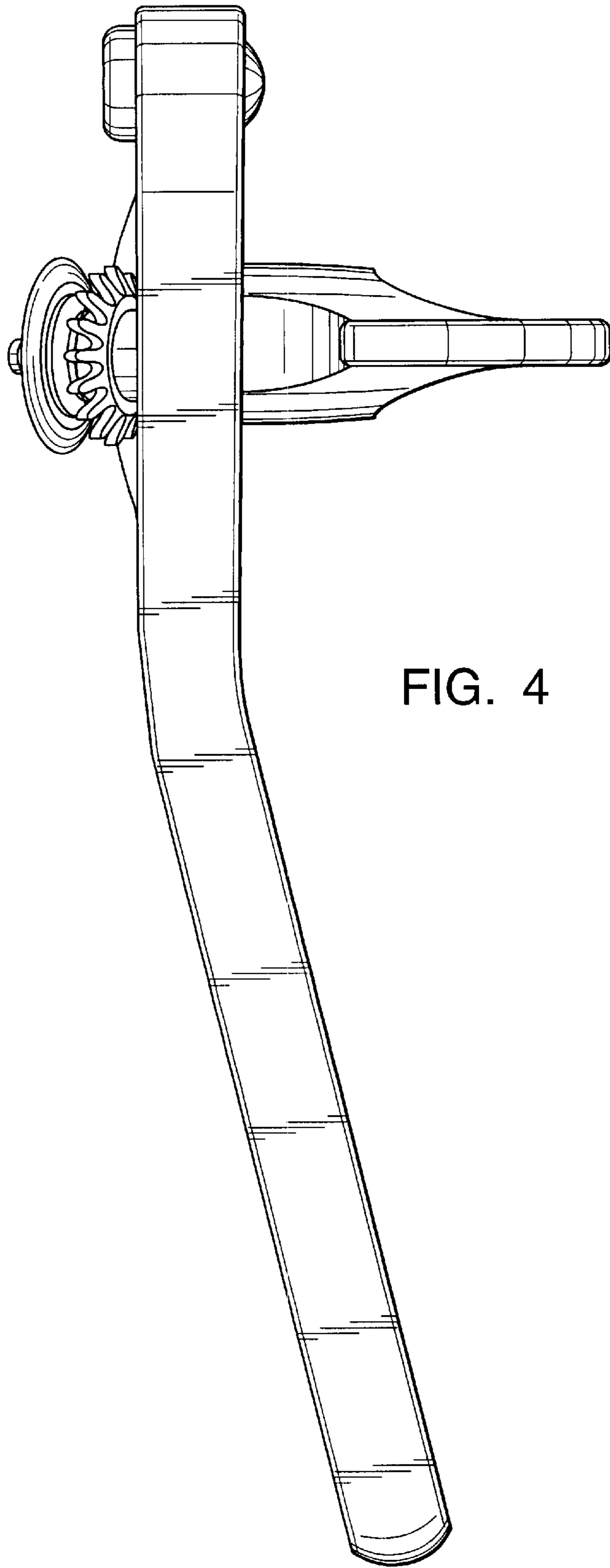


FIG. 4

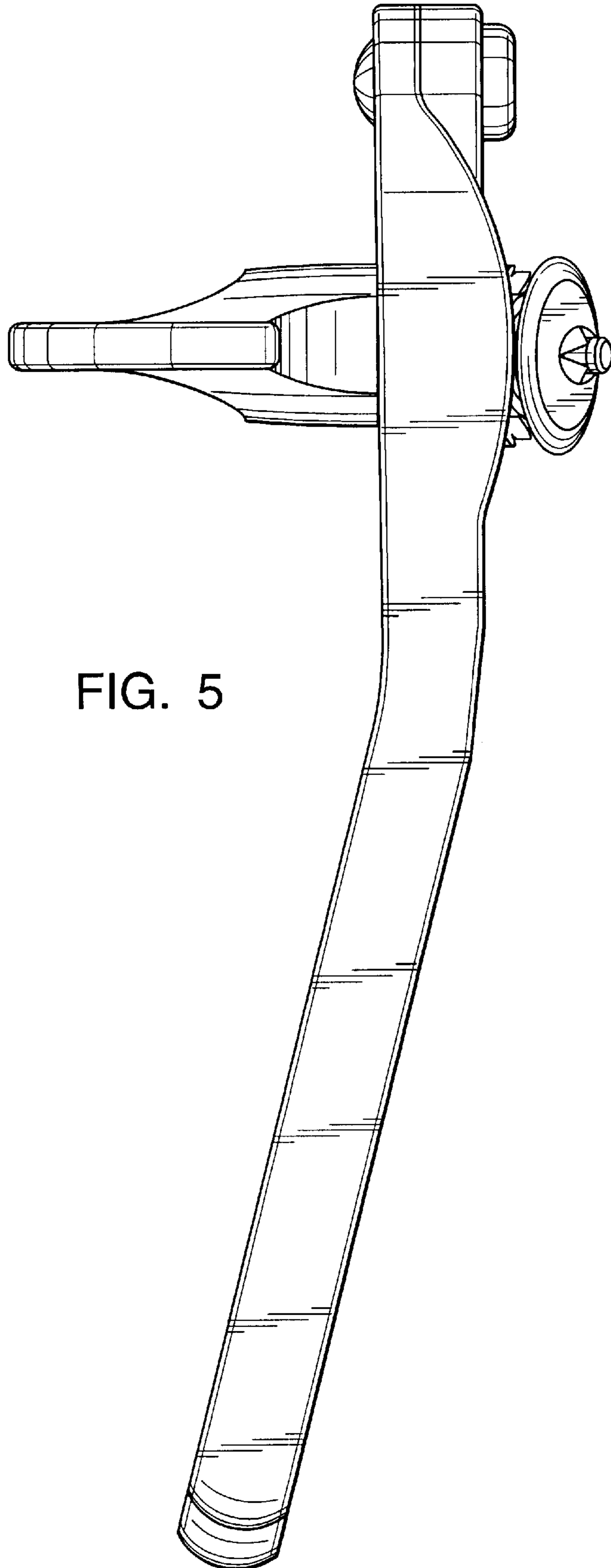


FIG. 5

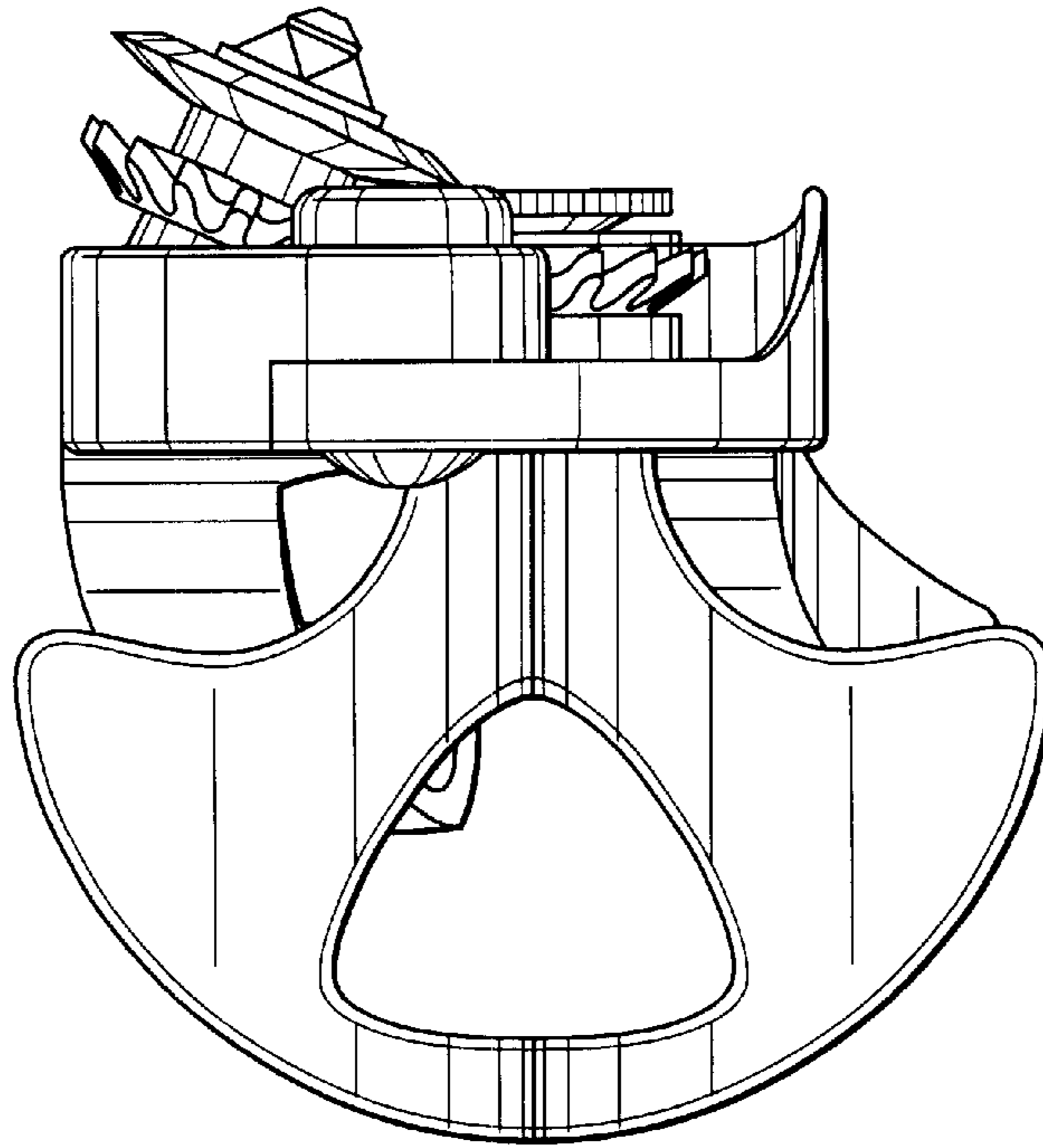


FIG. 6

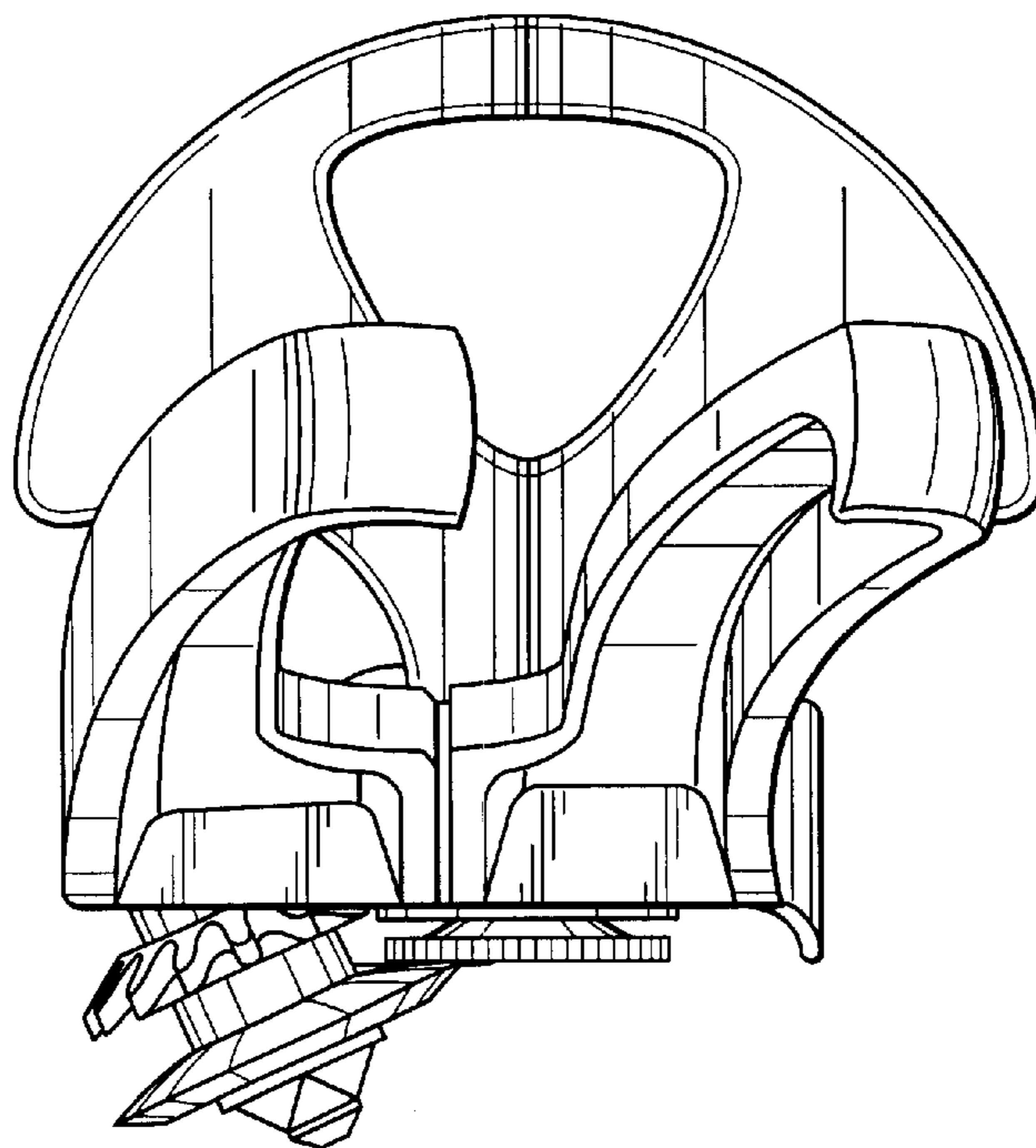


FIG. 7