



US00D455938S

(12) **United States Design Patent**  
**Wu**

(10) **Patent No.:** **US D455,938 S**

(45) **Date of Patent:** **\*\* Apr. 23, 2002**

(54) **SHEAR**

(76) Inventor: **Chin-Sung Wu**, No. 30 Min Yu St.,  
Lu-Kang, Chang-Hua (TW)

(\*\*) Term: **14 Years**

(21) Appl. No.: **29/138,067**

(22) Filed: **Mar. 7, 2001**

(51) **LOC (7) Cl.** ..... **08-01**

(52) **U.S. Cl.** ..... **D8/5**

(58) **Field of Search** ..... D8/1, 4, 5, 57;  
30/287, 261-2, 252

(56) **References Cited**

**U.S. PATENT DOCUMENTS**

D307,696 S	*	5/1990	Ishida et al.	.....	D8/5
4,947,553 A	*	8/1990	Bendickson et al.	.....	30/262
5,263,254 A	*	11/1993	Orthey	.....	30/252
D426,755 S	*	6/2000	Wu	.....	D8/5
D427,493 S	*	7/2000	Wu	.....	D8/5
D434,285 S	*	11/2000	Podlesny	.....	D8/5
D451,354 S	*	12/2001	Liu	.....	D8/57

\* cited by examiner

*Primary Examiner*—Robin V. Taylor

(74) *Attorney, Agent, or Firm*—Bacon & Thomas, PLLC

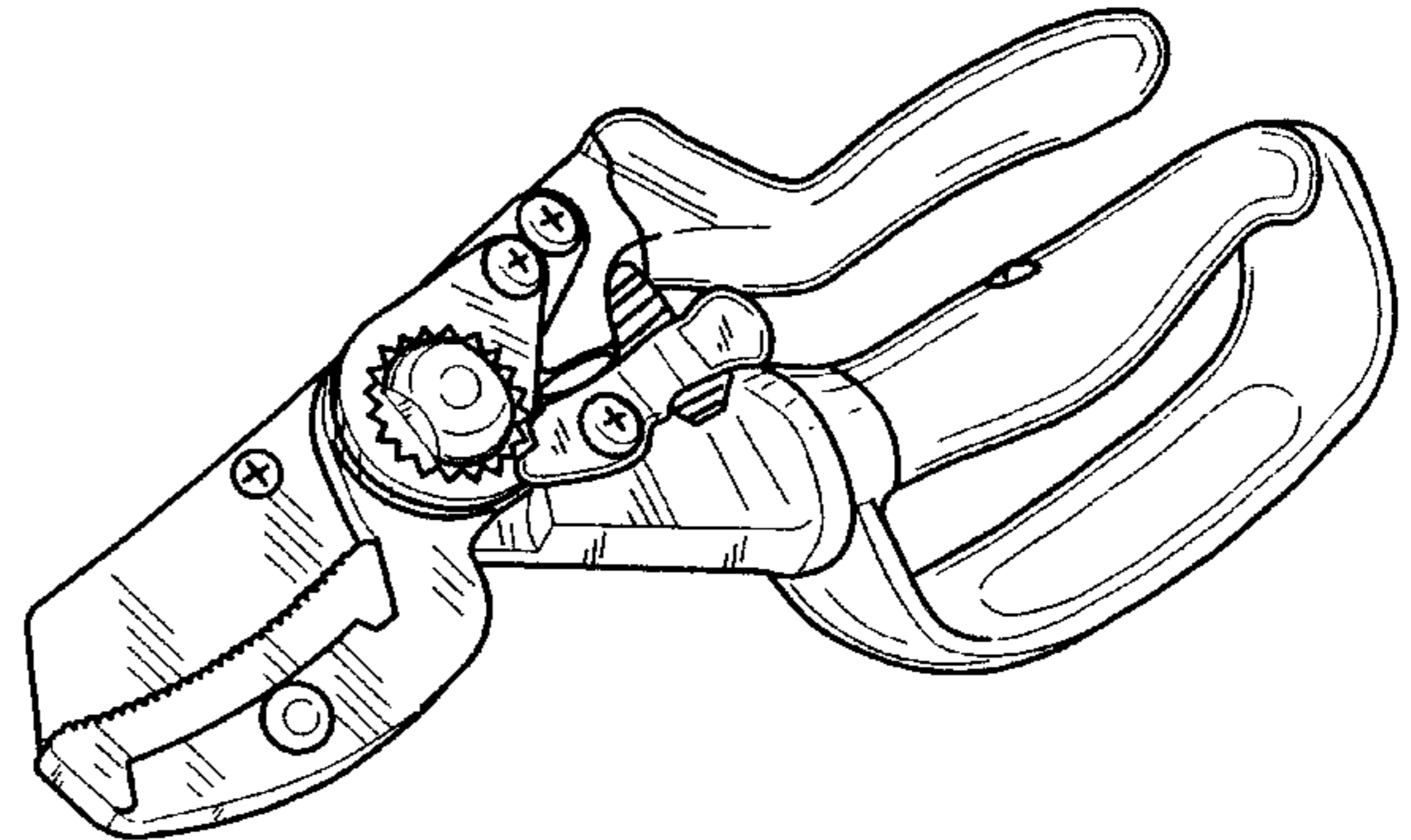
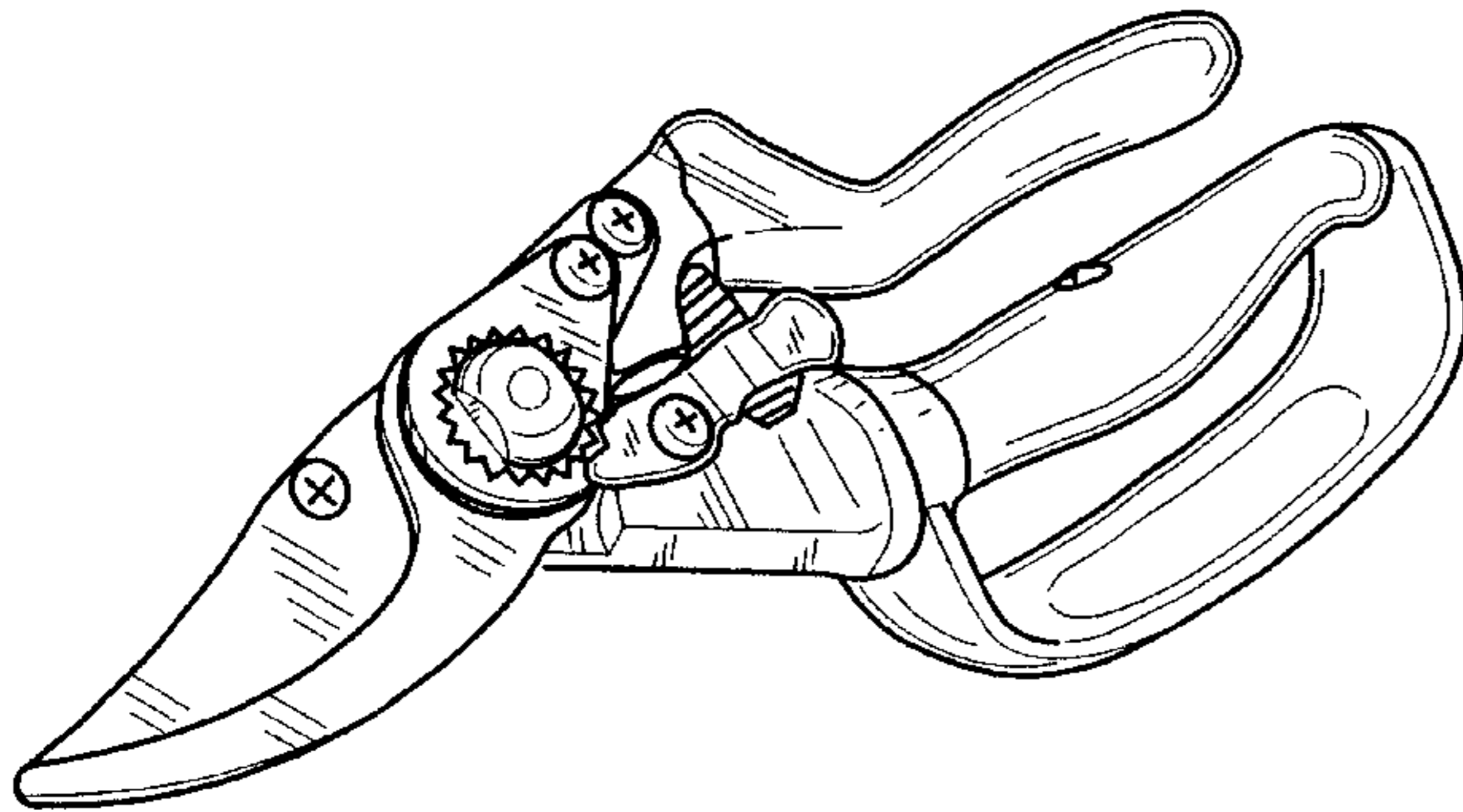
(57) **CLAIM**

The ornamental design for a shear, as shown and described.

**DESCRIPTION**

FIG. 1~FIG. 7 are showing pointed shear of description:  
 FIG. 1. is a front elevational view of a shear showing my new design;  
 FIG. 2. is a rear elevational view thereof;  
 FIG. 3. is a left side elevational view thereof;  
 FIG. 4. is a right side elevational view thereof;  
 FIG. 5. is a top plan view thereof;  
 FIG. 6. is a bottom plan view thereof;  
 FIG. 7. is a perspective view thereof.  
 FIG. 8~FIG. 14 are showing squared shear of description:  
 FIG. 8. is a front elevational view of a shear showing my new design;  
 FIG. 9. is a rear elevational view thereof;  
 FIG. 10. is a left side elevational view thereof;  
 FIG. 11. is a right side elevational view thereof;  
 FIG. 12. is a top plan view thereof;  
 FIG. 13. is a bottom plan view thereof; and,  
 FIG. 14. is a perspective view thereof.

**1 Claim, 8 Drawing Sheets**



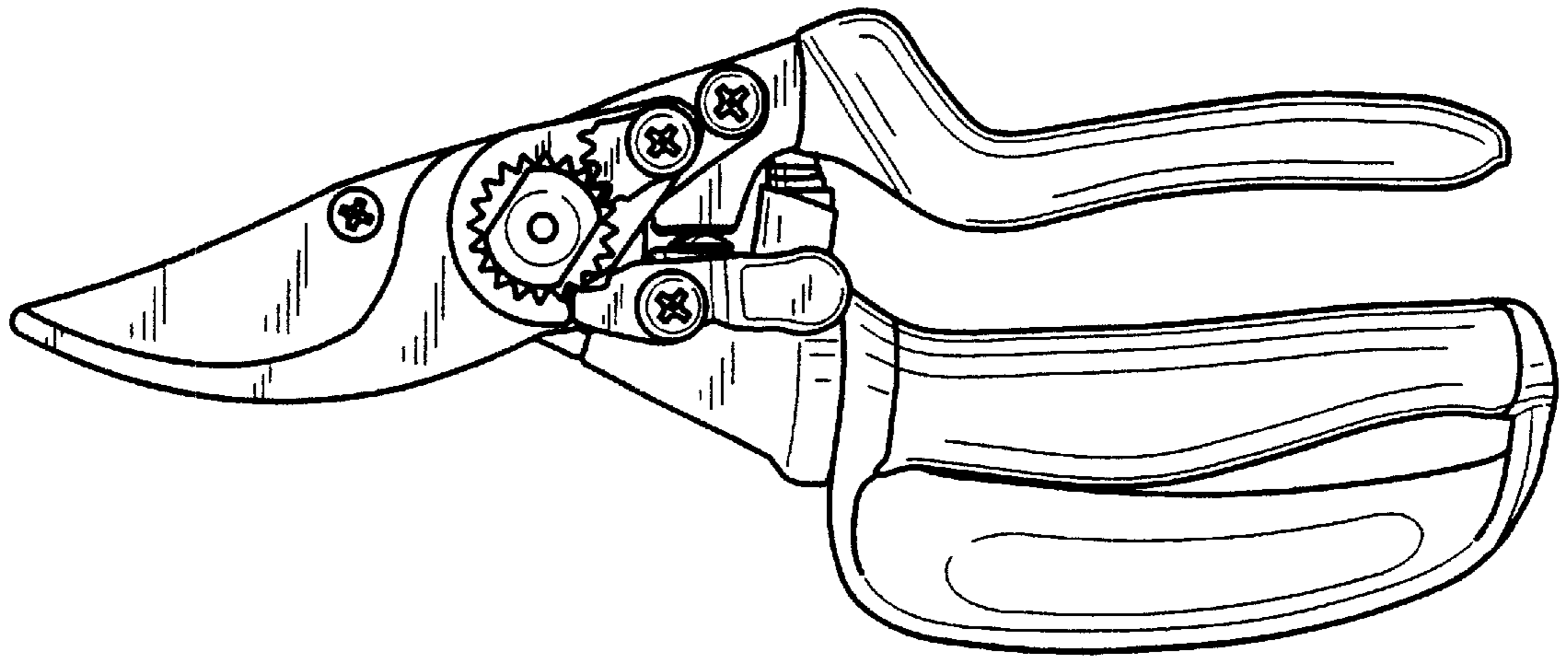


FIG. 1

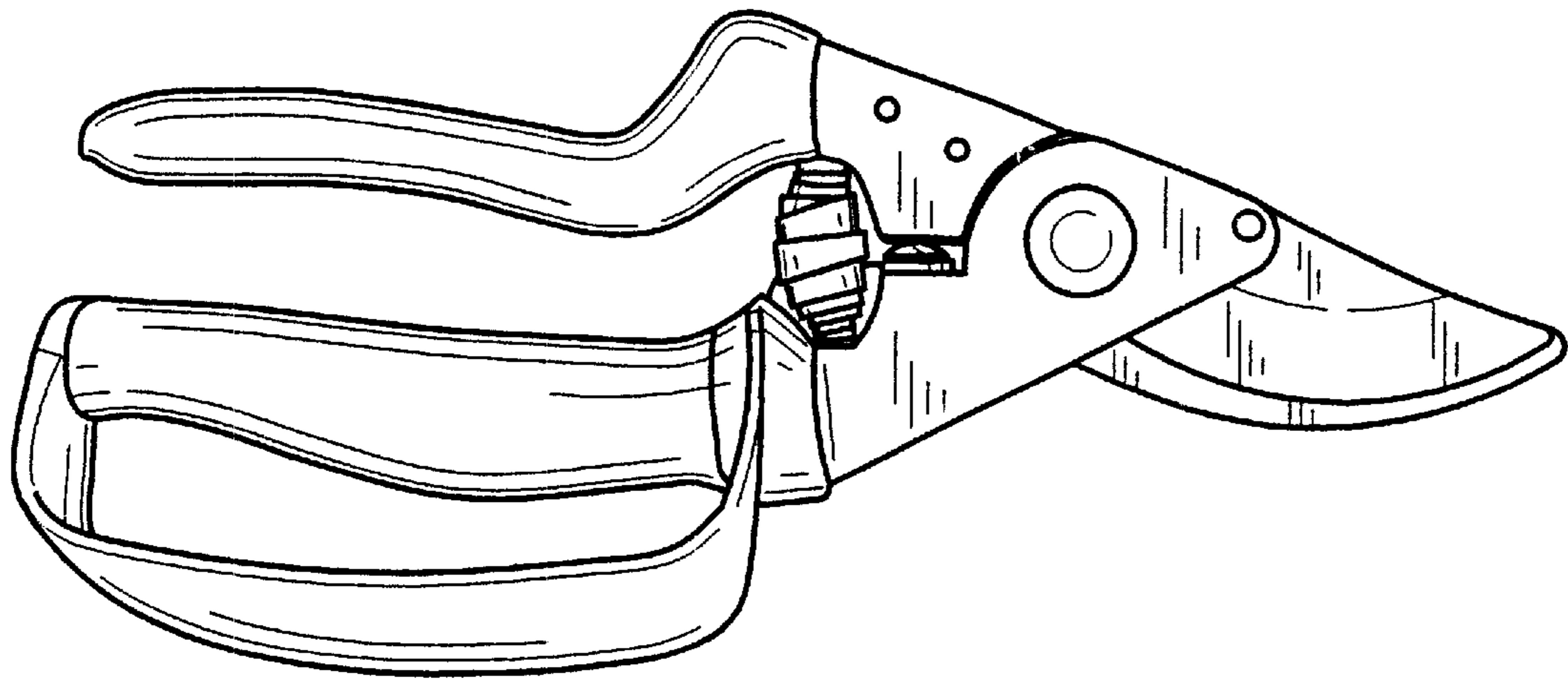


FIG. 2

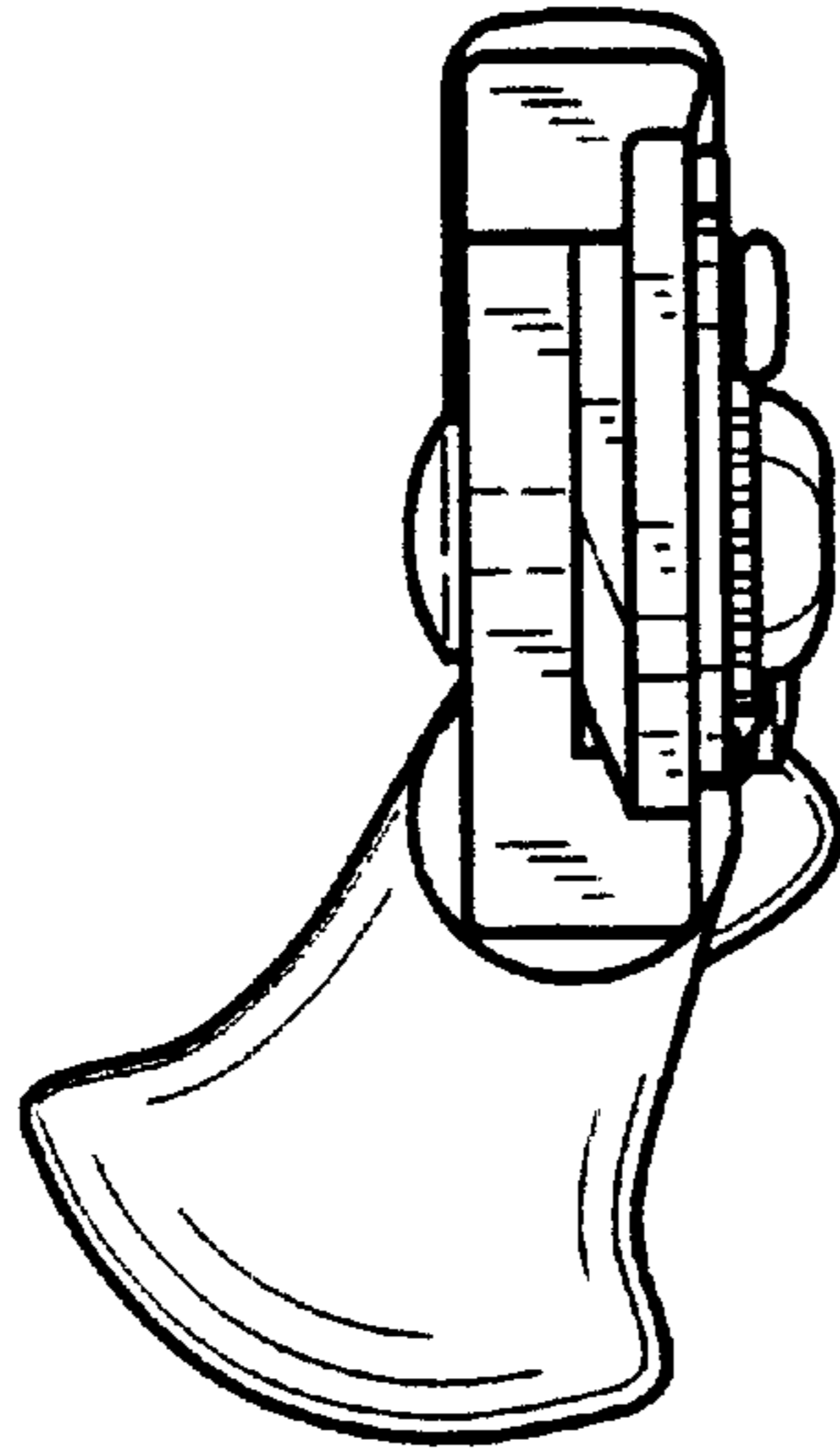


FIG. 3

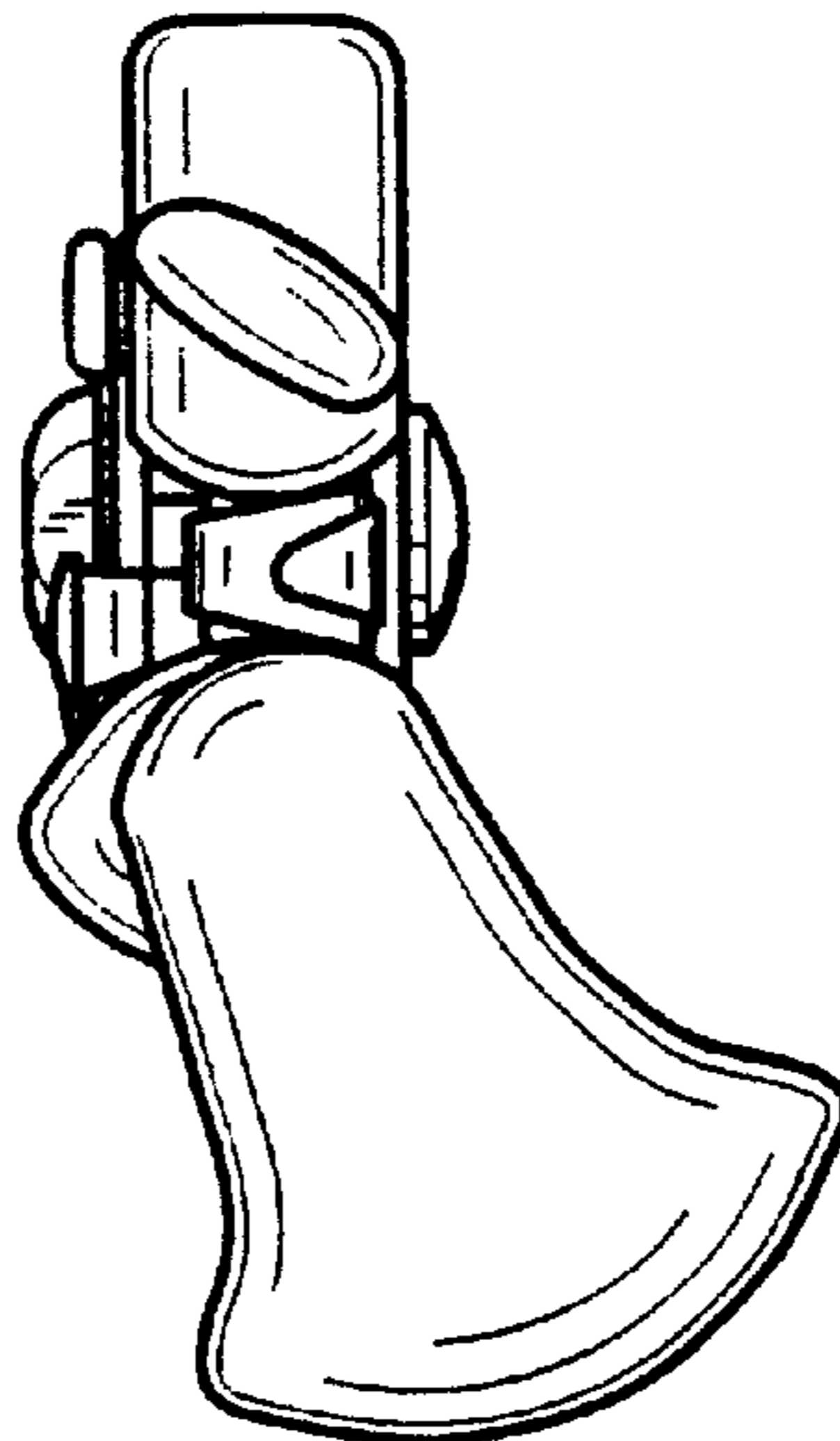


FIG. 4

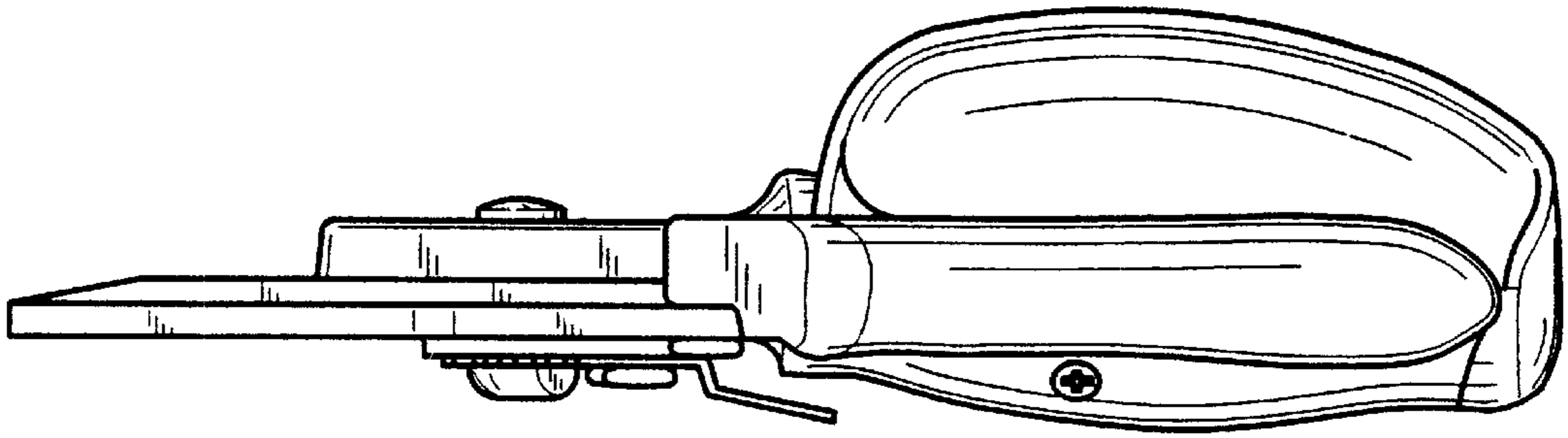


FIG. 5

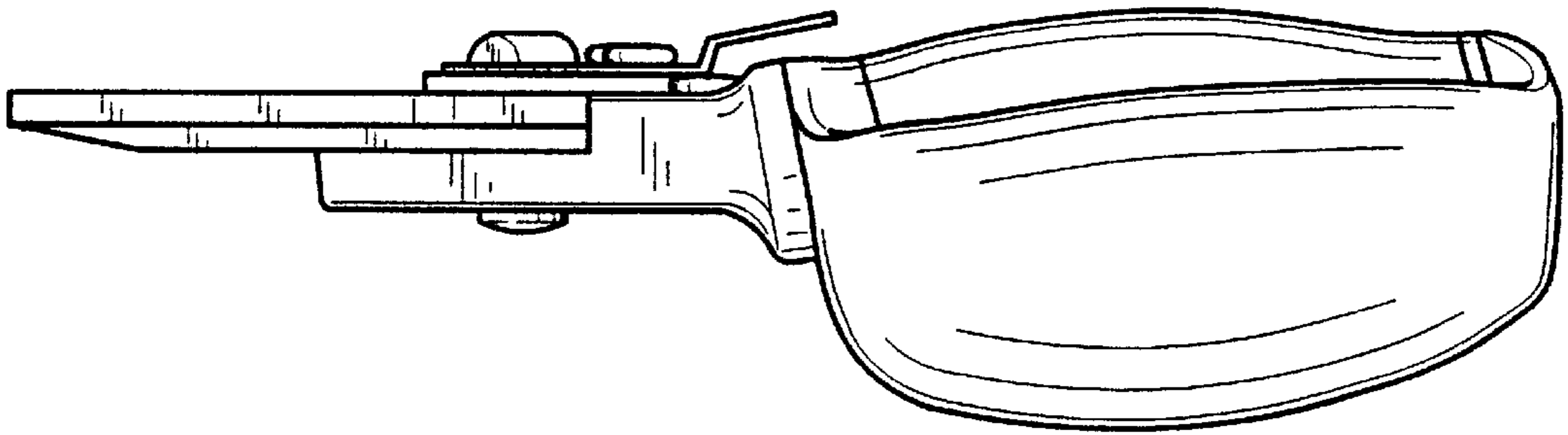


FIG. 6

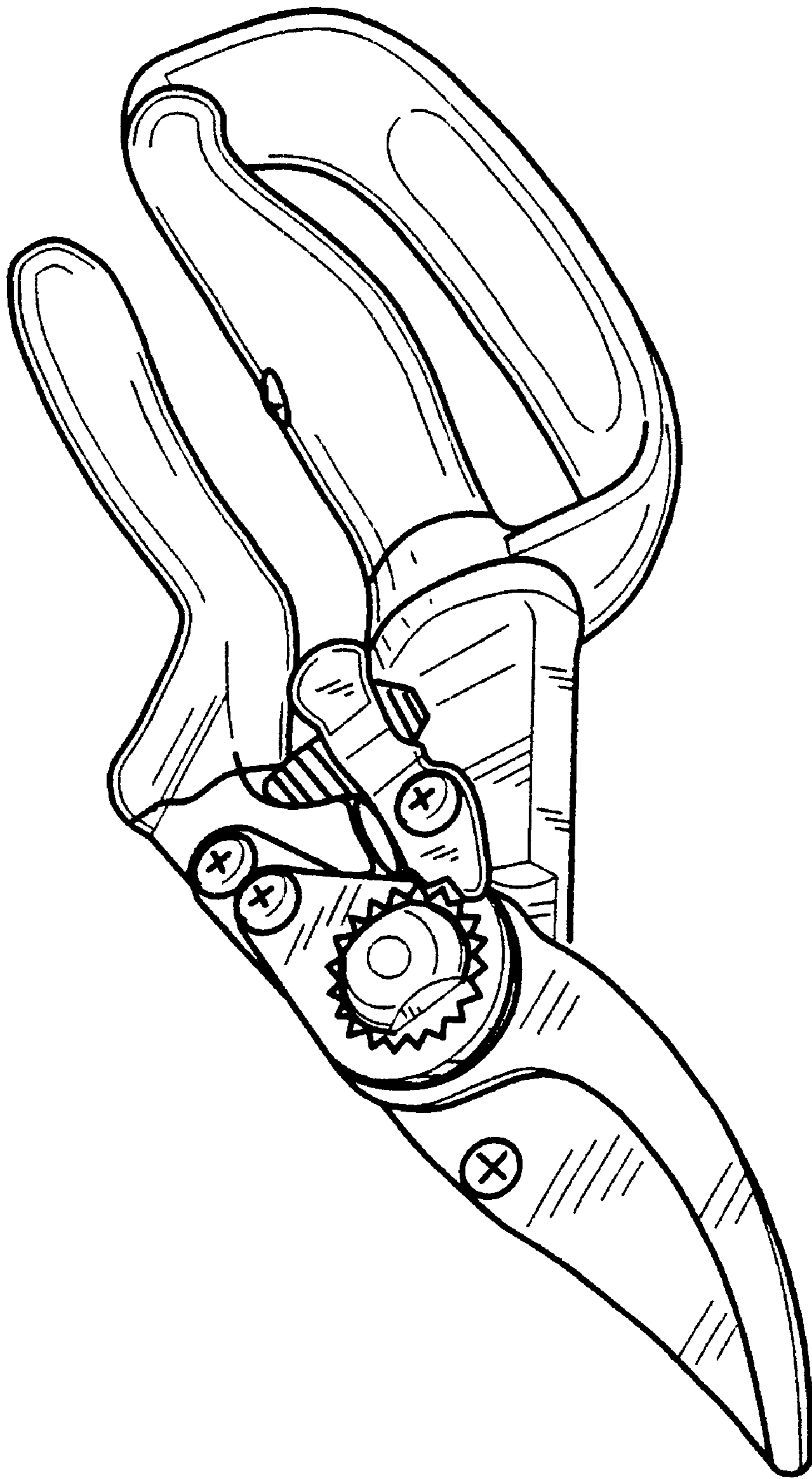


FIG. 7

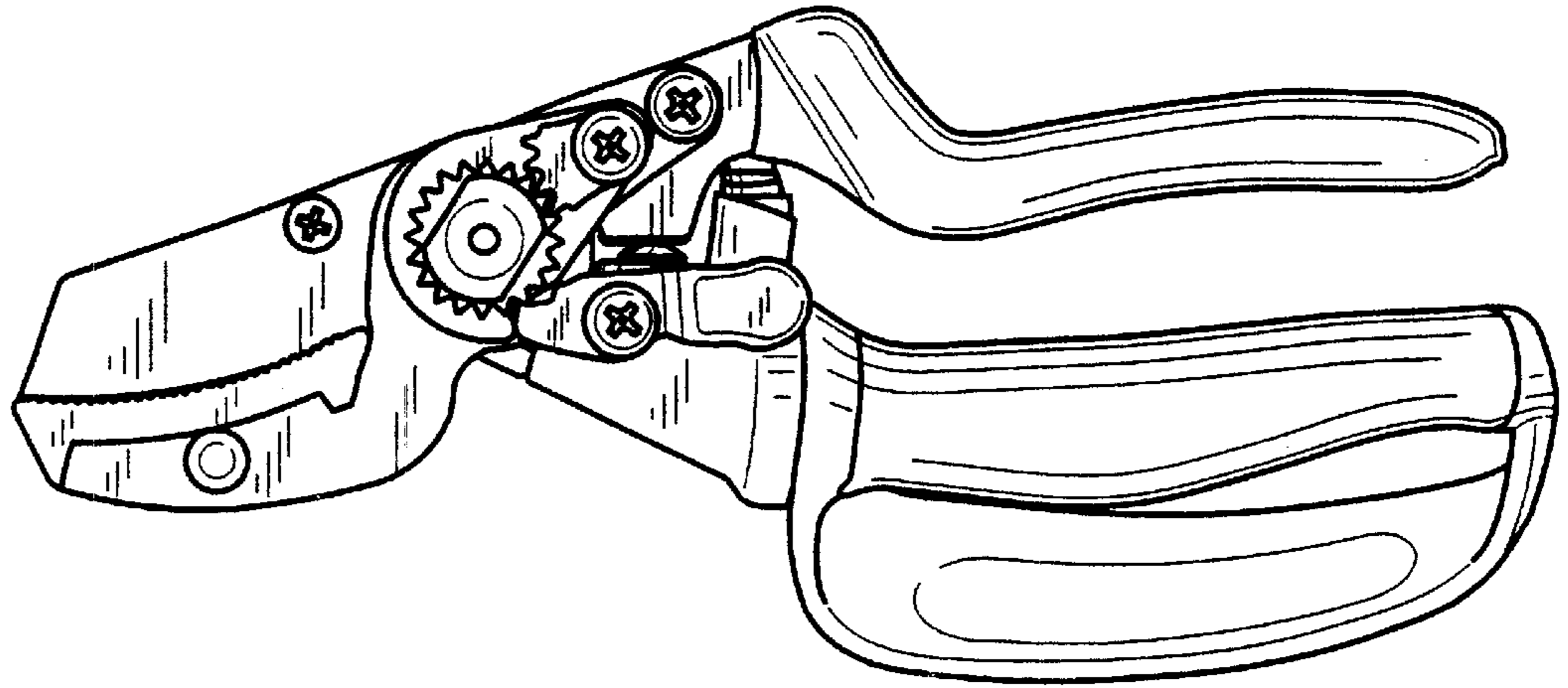


FIG. 8

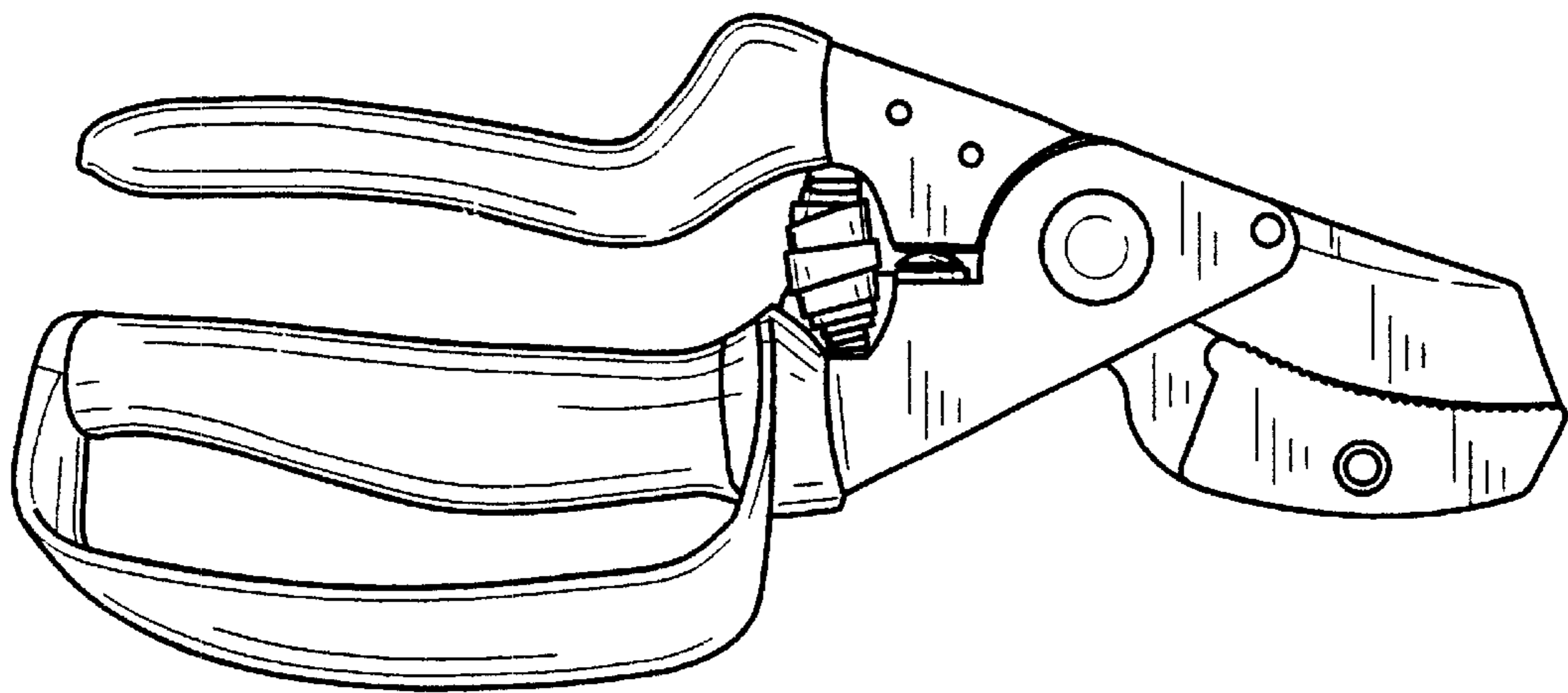


FIG. 9

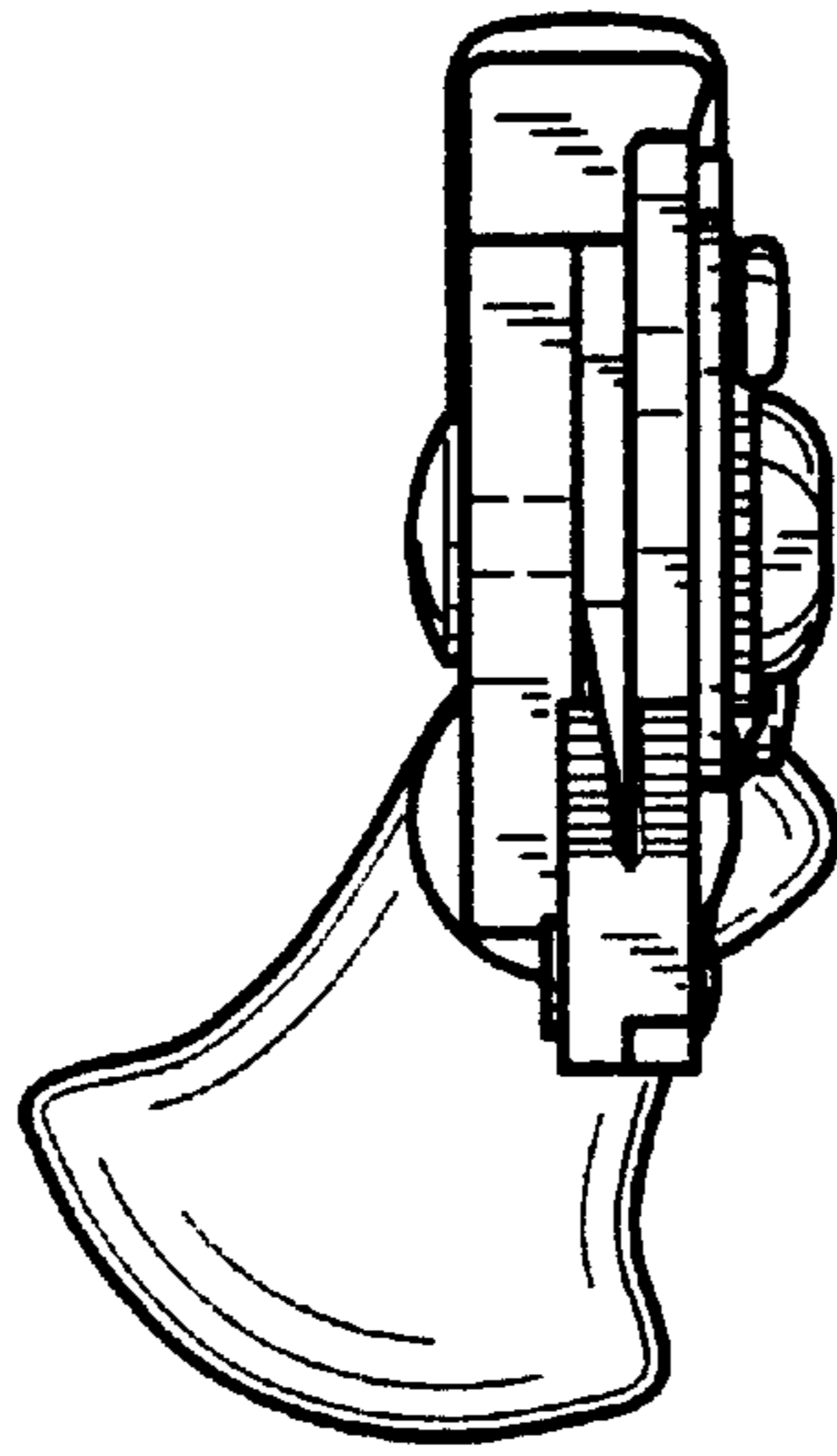


FIG. 10

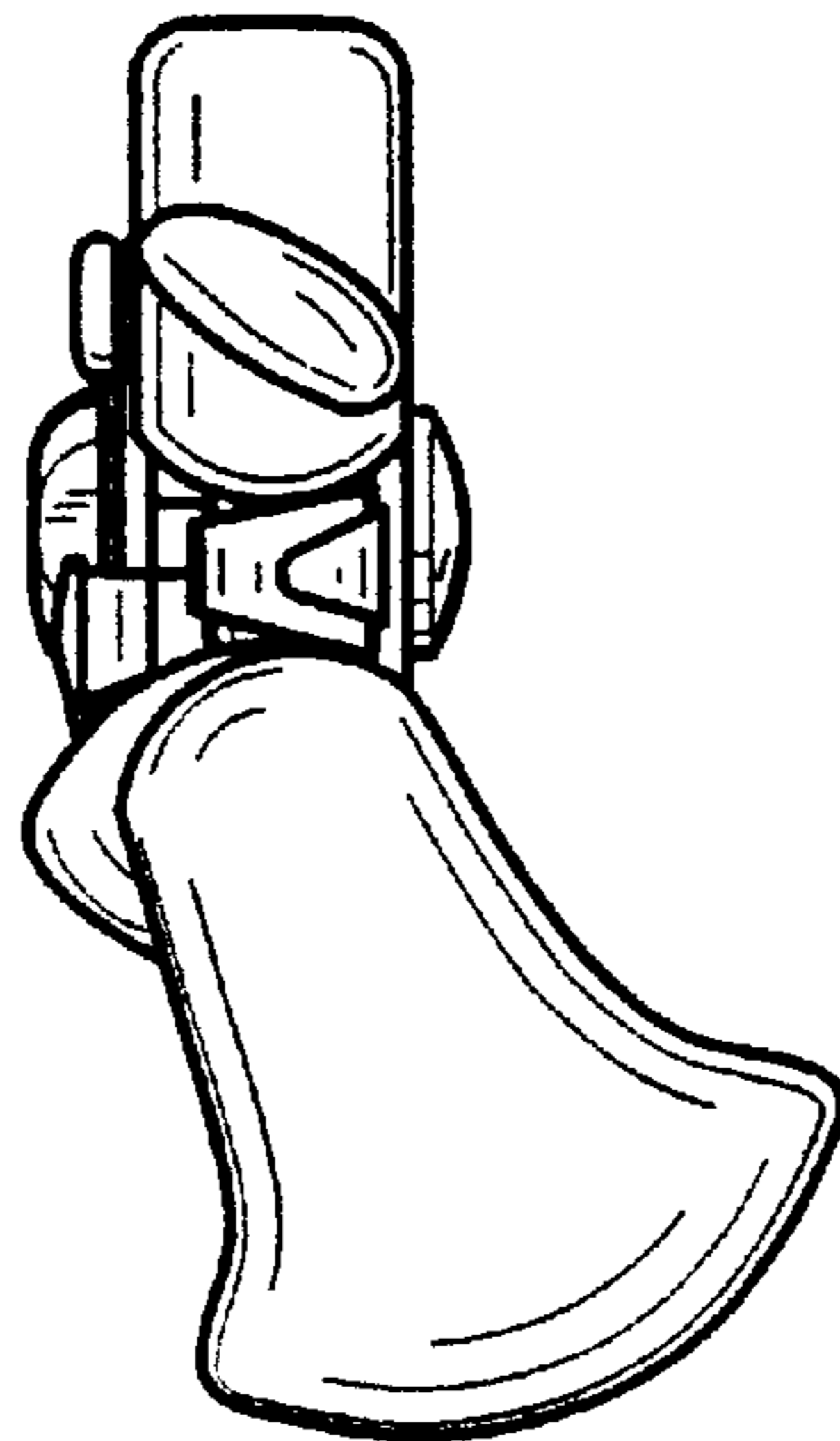


FIG. 11

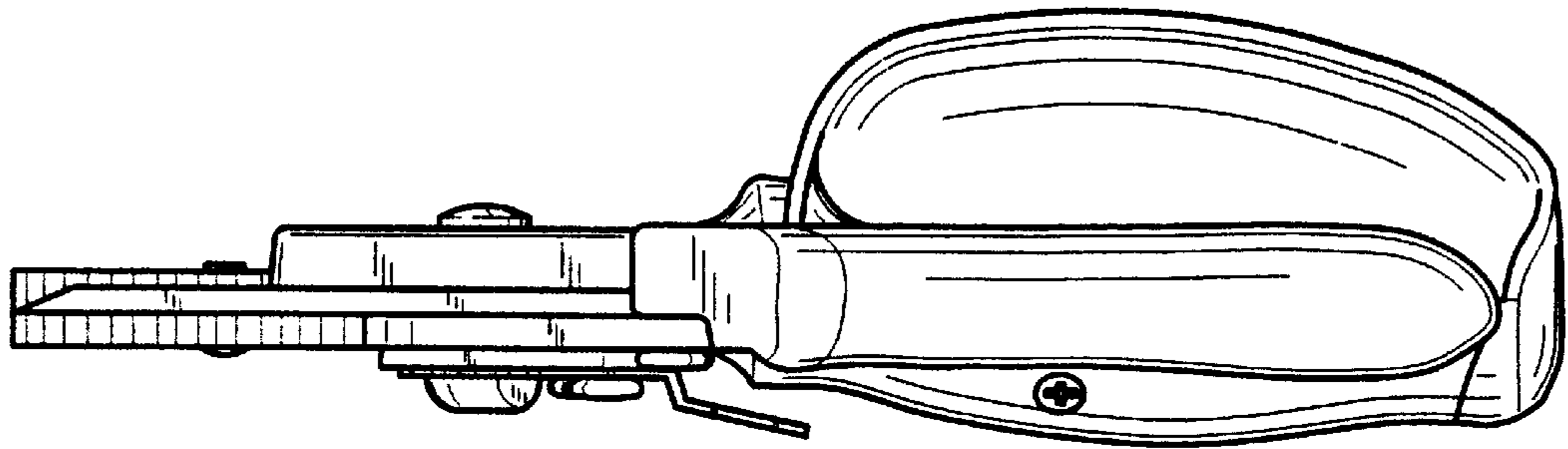


FIG. 12

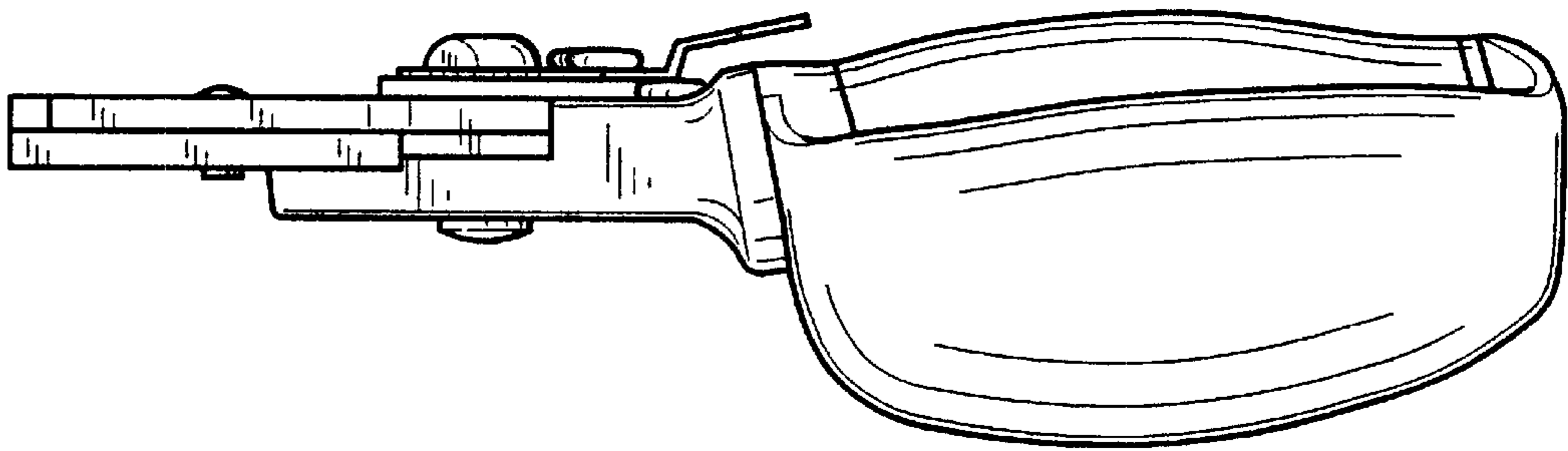


FIG. 13



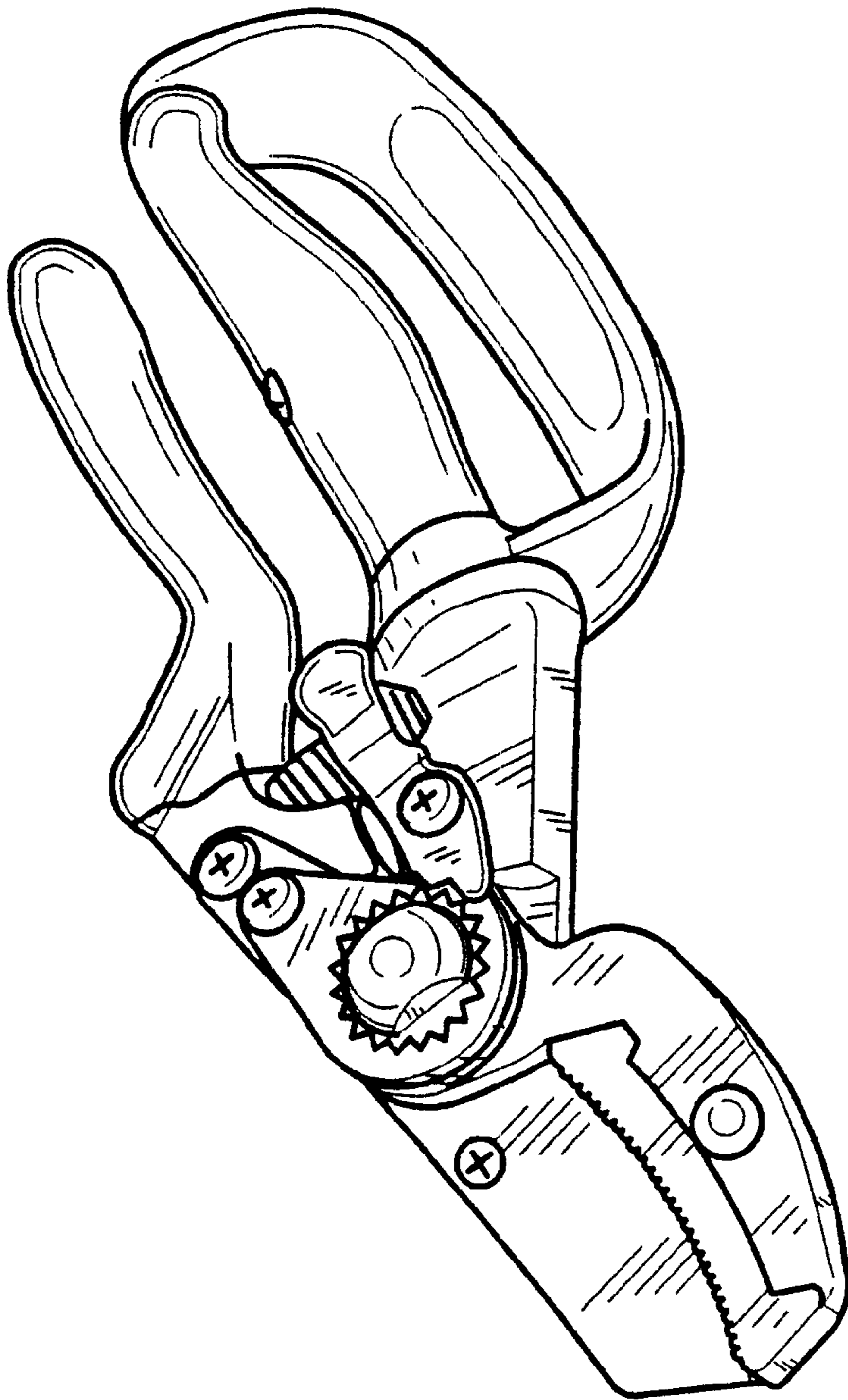


FIG. 14