



US00D455932S

(12) **United States Design Patent**
Noda et al.

(10) **Patent No.:** **US D455,932 S**

(45) **Date of Patent:** **** Apr. 23, 2002**

(54) **MICROWAVE OVEN**

(75) Inventors: **Kensaku Noda**, Shiga-Ken; **Kiyohiko Utagawa**, Kyoto-Fu; **Yasunori Kusachi**, Shiga-Ken, all of (JP)

(73) Assignee: **Sanyo Electric Co., Ltd.**, Osaka-fu (JP)

(**) Term: **14 Years**

(21) Appl. No.: **29/138,768**

(22) Filed: **Mar. 20, 2001**

(30) **Foreign Application Priority Data**

Dec. 20, 2000 (JP) 2000-036322

(51) **LOC (7) Cl.** **07-02**

(52) **U.S. Cl.** **D7/351**

(58) **Field of Search** D7/350.1, 350.2,
D7/350.3, 350.4, 351, 402, 405-406; 126/273 A,
275 R, 275 E, 19 M, 21 R; 219/678, 756-758;
99/DIG. 14, 421 R, 341, 350

(56) **References Cited**

U.S. PATENT DOCUMENTS

D305,597 S * 1/1990 Yoo D7/351

D353,510 S * 12/1994 Nakamura D7/351
D353,511 S * 12/1994 Saimen D7/351
D385,154 S * 10/1997 Weiss et al. D7/405
D410,813 S * 6/1999 Fujii D7/351
D430,452 S * 9/2000 Noda et al. D7/351
D442,017 S * 5/2001 Noda et al. D7/351

* cited by examiner

Primary Examiner—Ruth McInroy

(74) *Attorney, Agent, or Firm*—Darby & Darby

(57) **CLAIM**

We claim the ornamental design for a microwave oven, as shown.

DESCRIPTION

FIG. 1 is a top, front, and right side perspective view of a microwave oven showing our new design;
FIG. 2 is a top plan view thereof;
FIG. 3 is a front elevation view thereof;
FIG. 4 is a right side elevation view thereof;
FIG. 5 is a left side elevation view thereof;
FIG. 6 is a rear elevation view thereof; and,
FIG. 7 is a bottom plan view thereof.

1 Claim, 4 Drawing Sheets

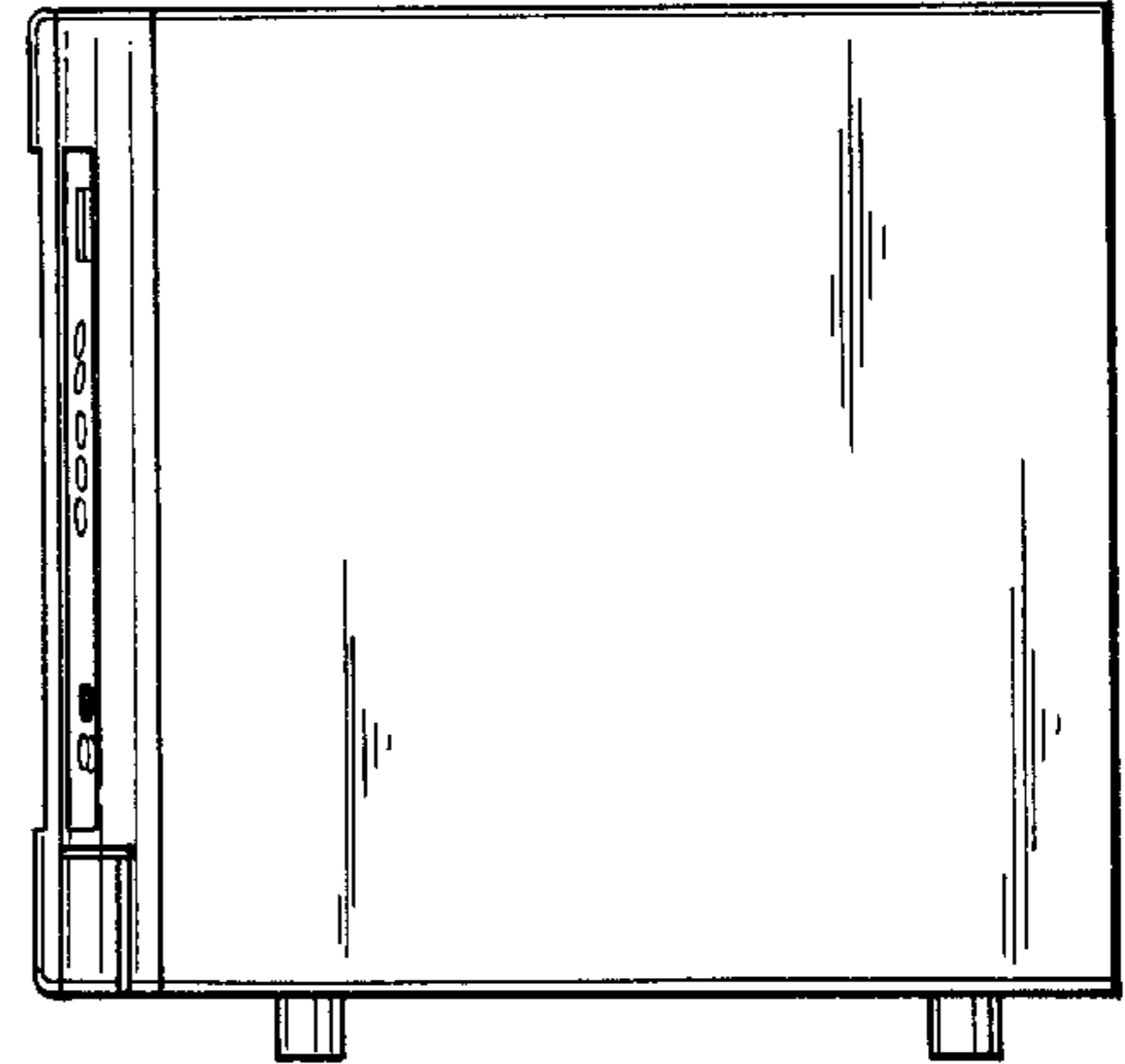
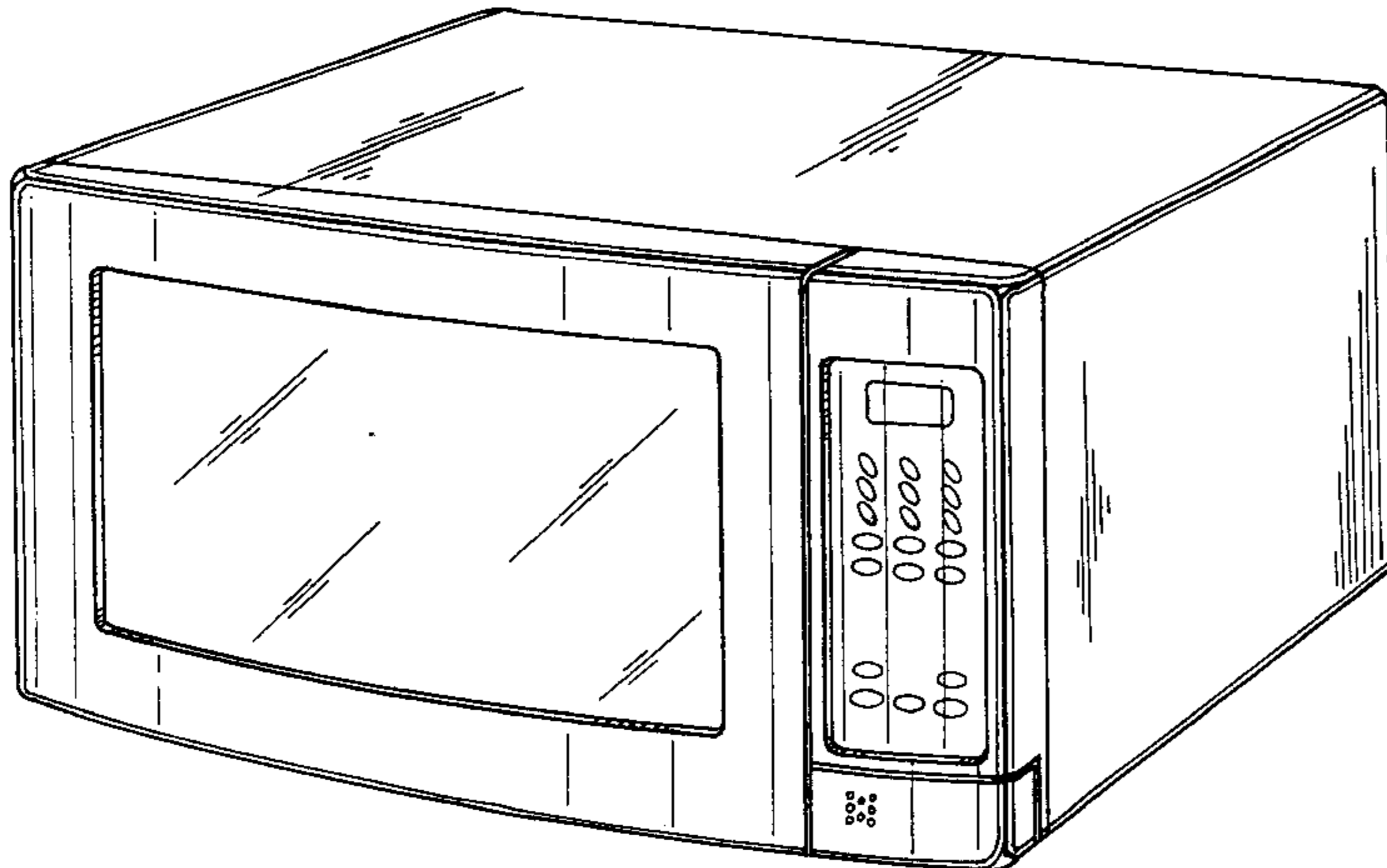


FIG. 1

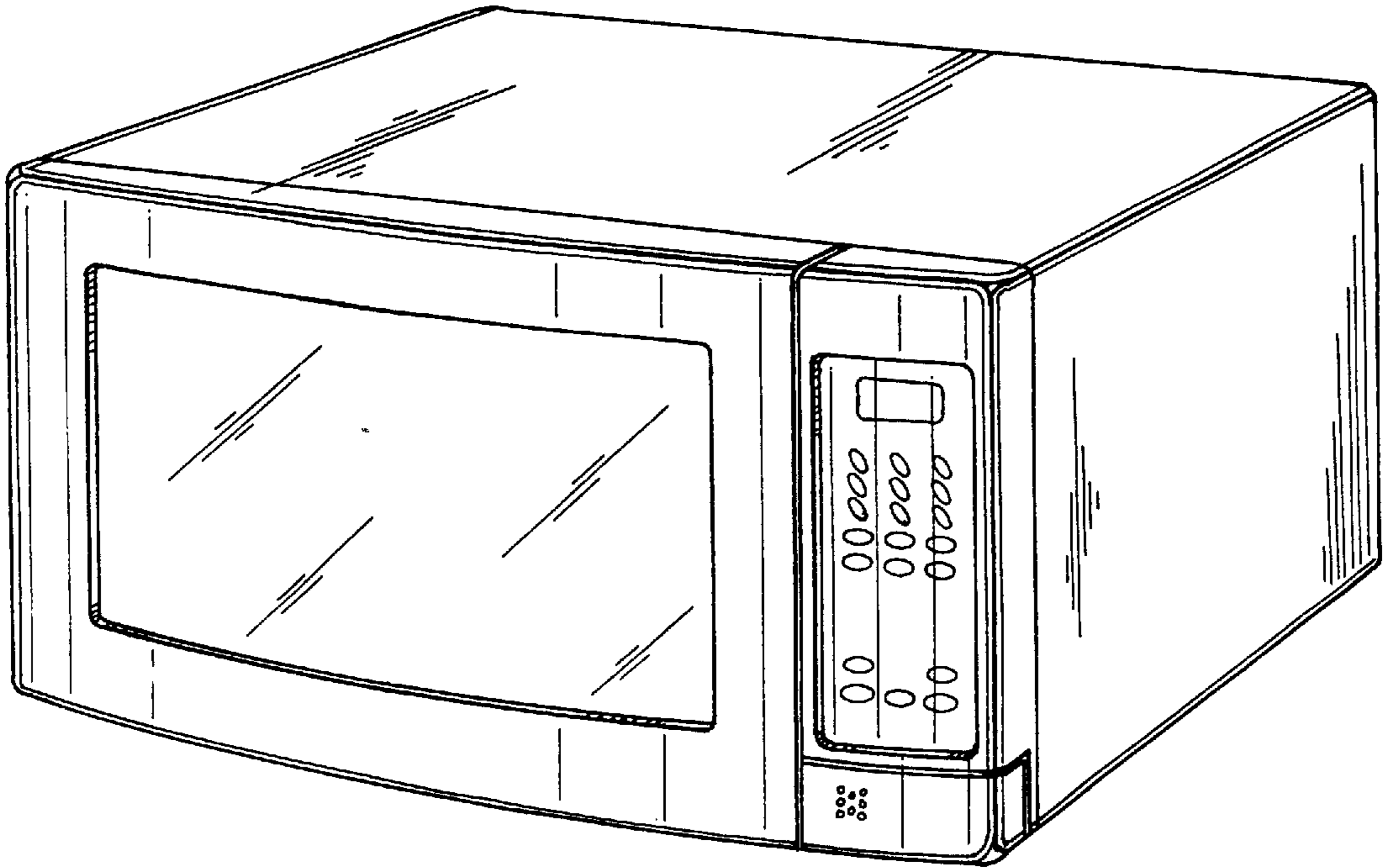


FIG. 2

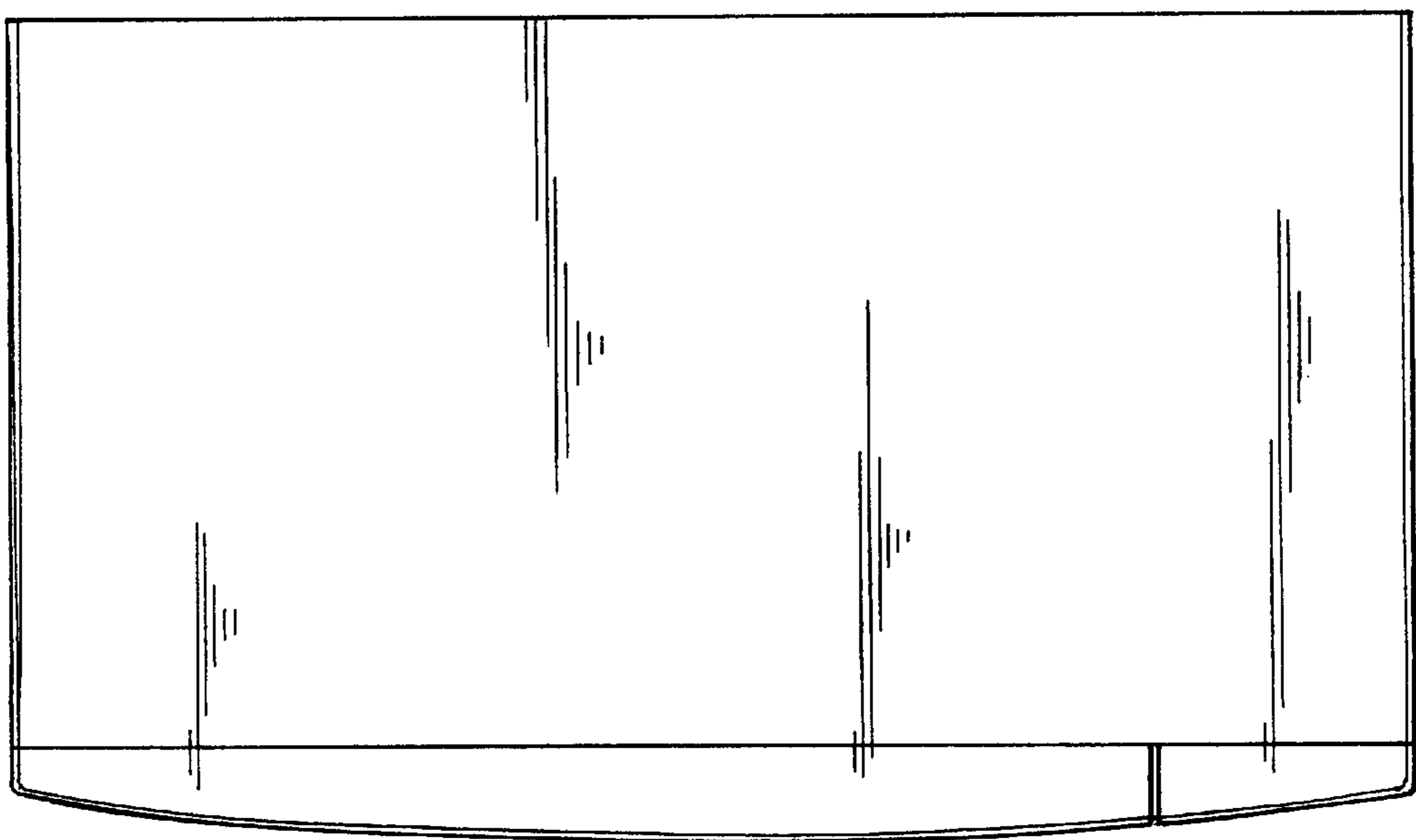


FIG. 3

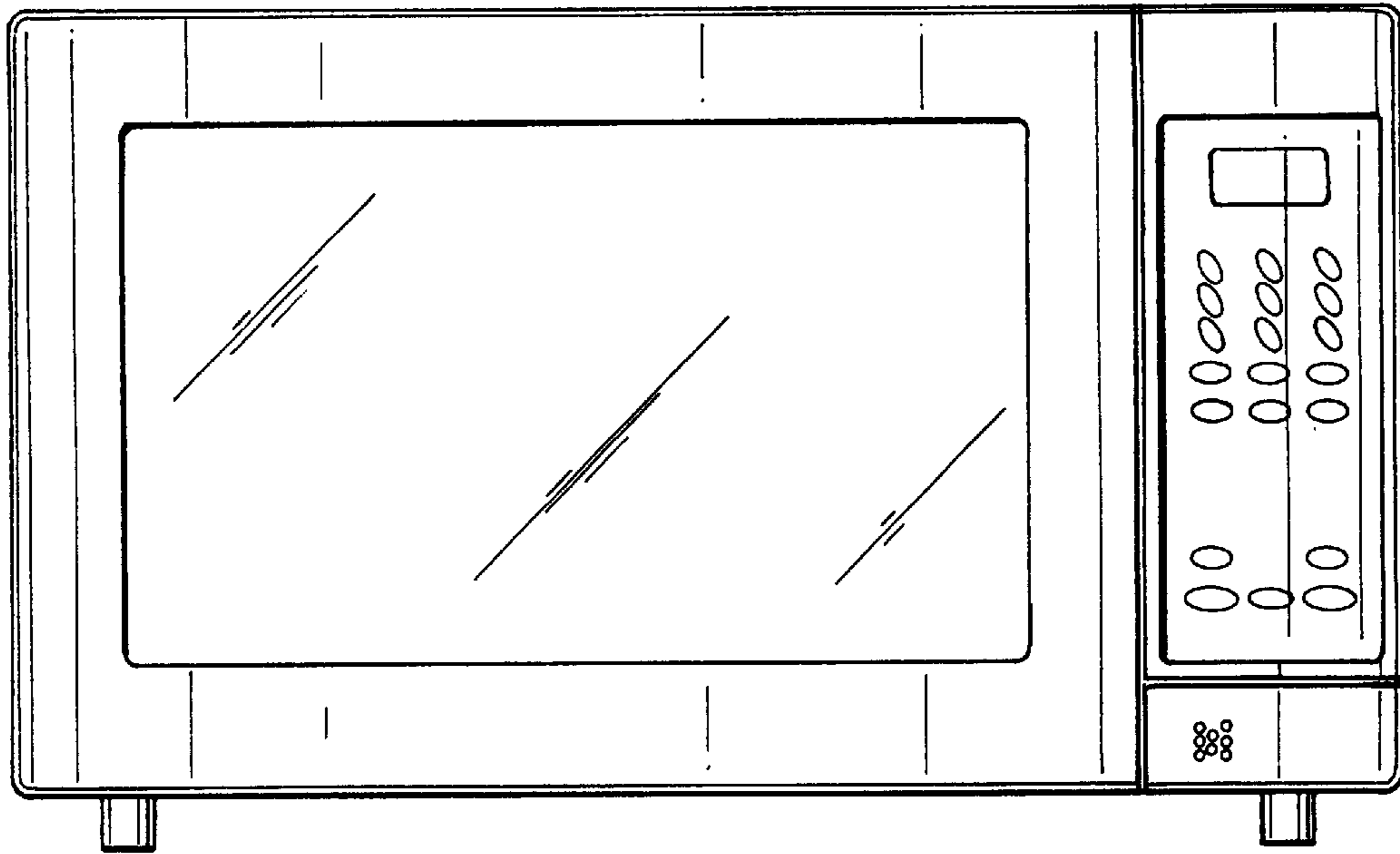


FIG. 4

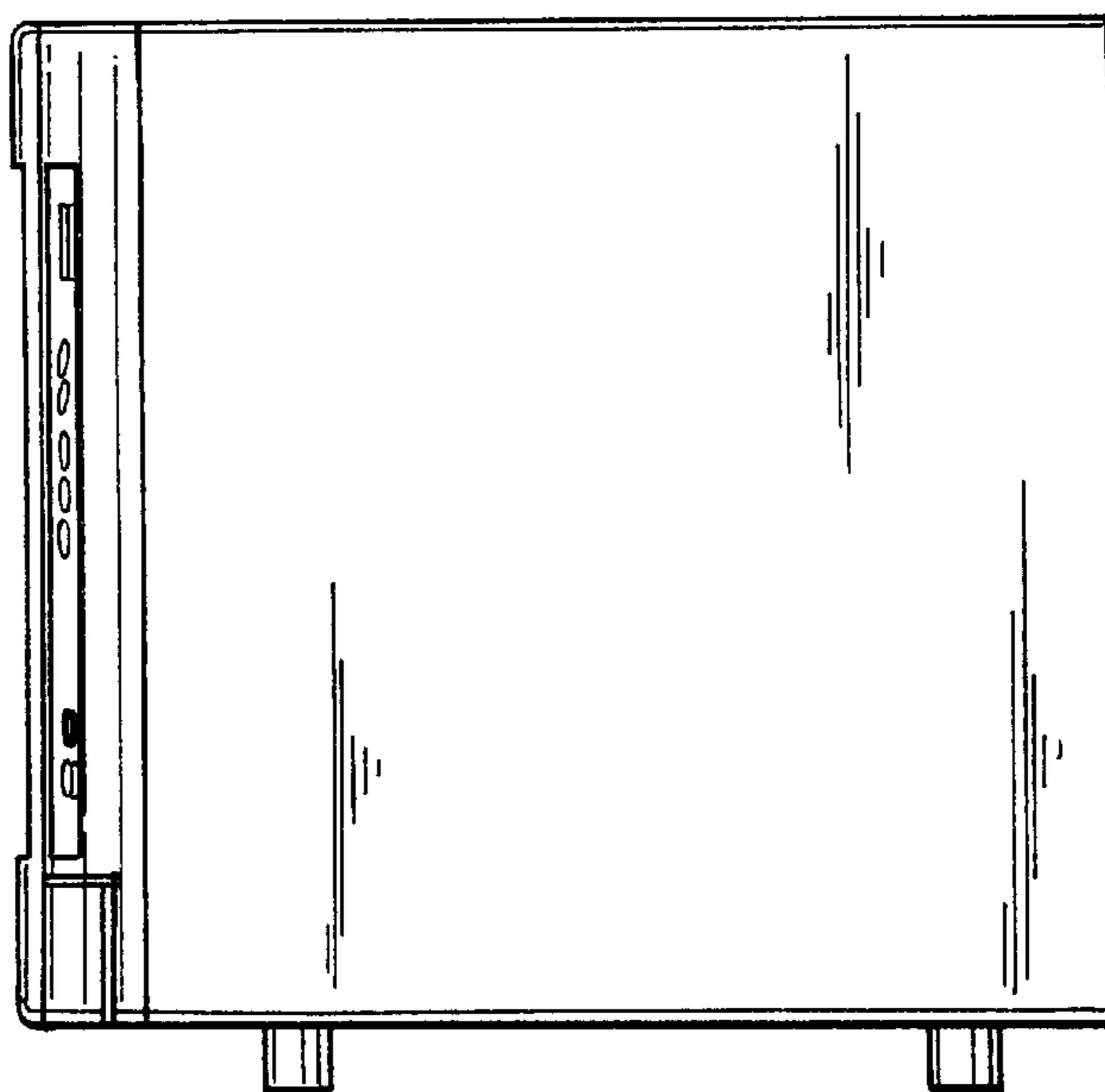


FIG. 5

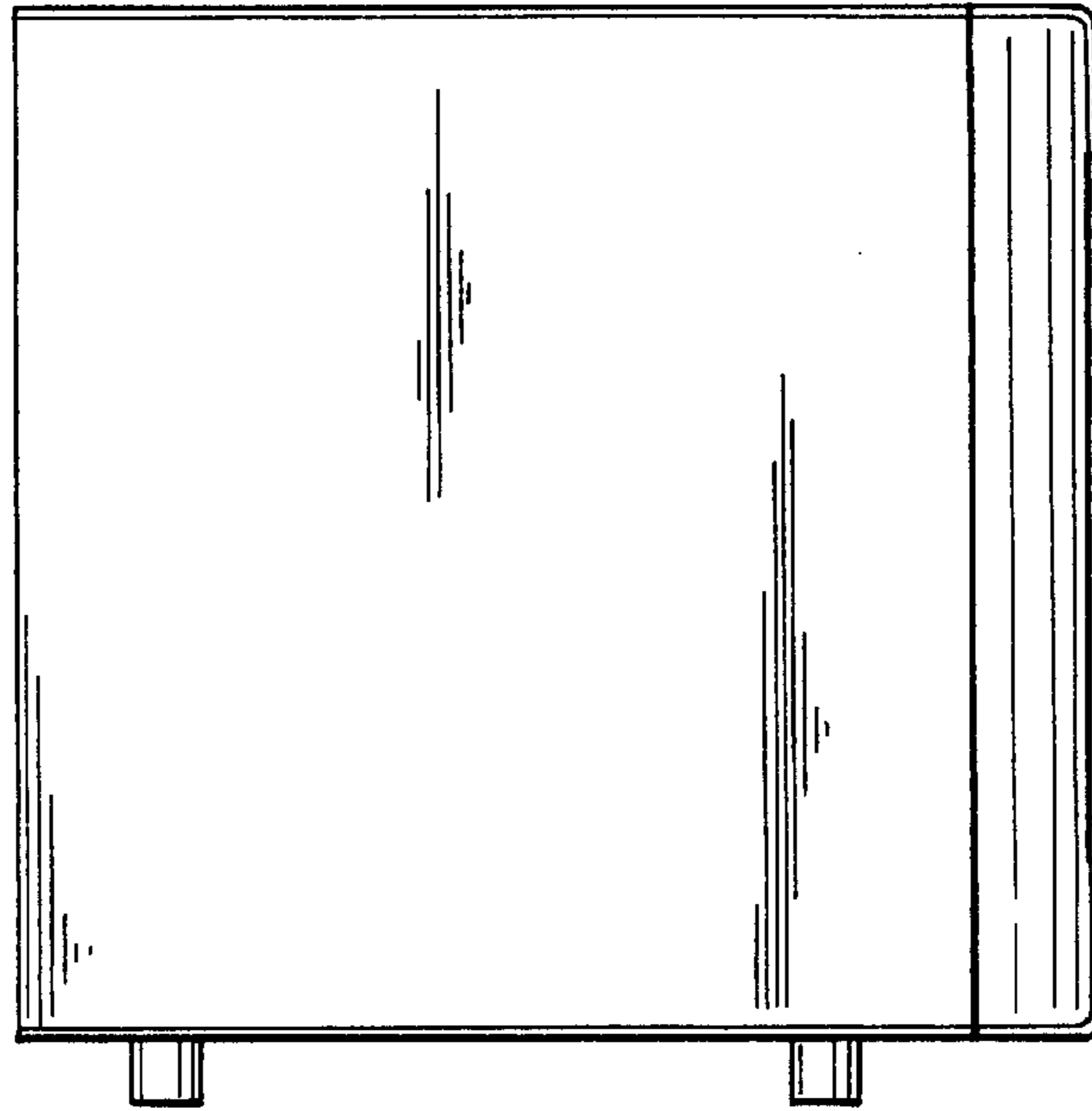


FIG. 6

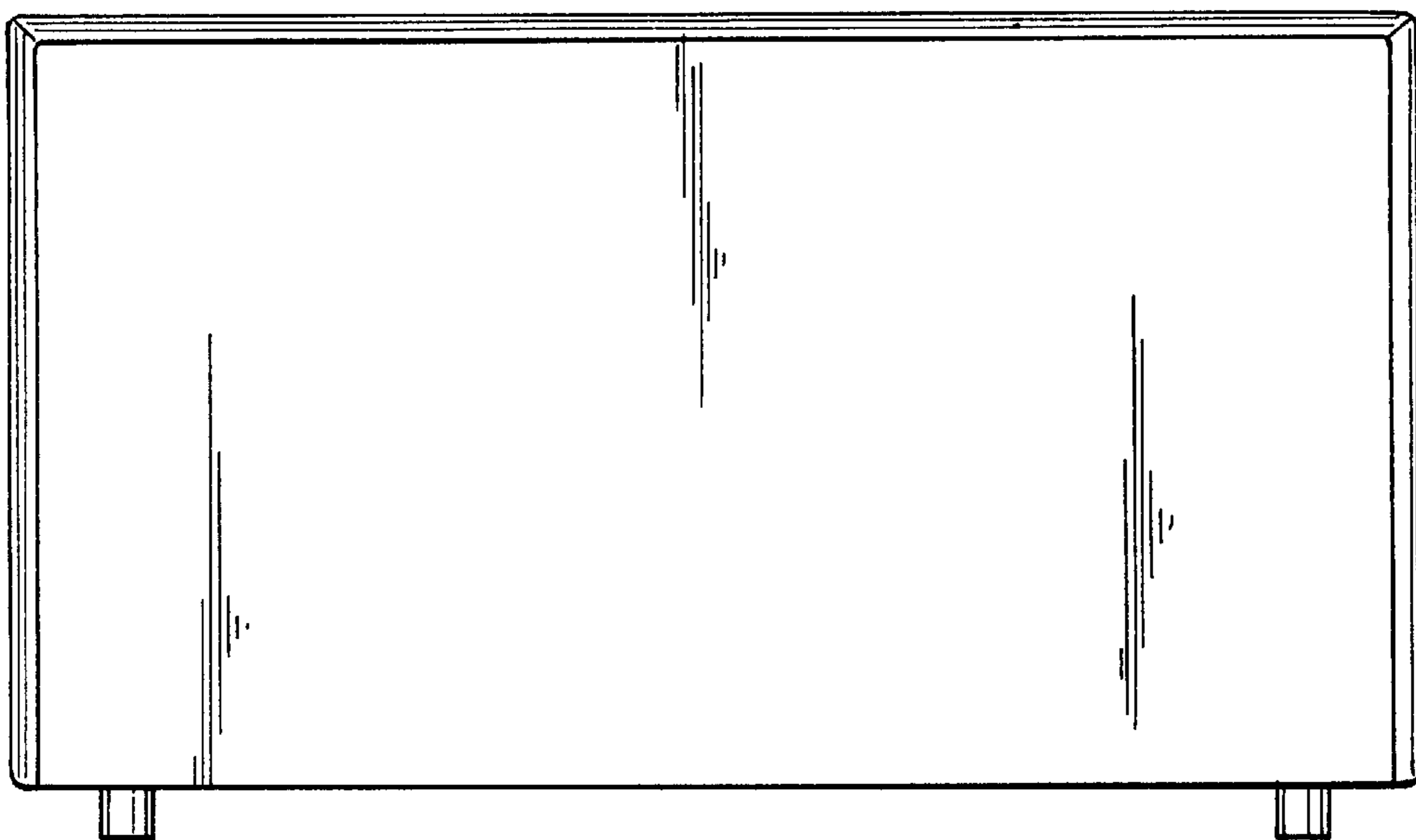


FIG. 7

