



US00D455930S

(12) **United States Design Patent**
Eskandry

(10) **Patent No.:** **US D455,930 S**

(45) **Date of Patent:** **** Apr. 23, 2002**

(54) **COMPACT DISK CARRYING CASE WITH MATTE SILVER COVER**

(76) **Inventor:** **Ezra D. Eskandry**, 1925 Brickell Ave., D901, Miami, FL (US) 33129

(**) **Term:** **14 Years**

6,106,015 A	*	8/2000	Udwin et al.	
D432,344 S		10/2000	Eskandry	D6/632
D433,444 S	*	11/2000	Eskandry	D19/27
D434,897 S	*	12/2000	Hillman	D3/218
D434,938 S	*	12/2000	Hillman	D6/633
D435,385 S		12/2000	Eskandry	D6/633
D437,521 S	*	2/2001	Leung	D6/635

OTHER PUBLICATIONS

U.S. application No. 29/131,178, Eskandry, filed Oct. 16, 2000.

* cited by examiner

Primary Examiner—Celia Murphy

(74) *Attorney, Agent, or Firm*—Robert C. Kain, Jr.; Fleit, Kain

(21) **Appl. No.:** **29/135,407**

(22) **Filed:** **Jan. 11, 2001**

(51) **LOC (7) Cl.** **06-04**

(52) **U.S. Cl.** **D6/631; D6/407; D6/629; D6/630; D6/632**

(58) **Field of Search** D3/201, 218; D6/407, D6/626–635; D19/26, 27, 32; 206/307.1, 308.1, 308.2, 308.3, 309, 311, 312, 387.11, 387.13, 387.15; 369/37, 75.2, 291; 379/355

(56) **References Cited**

U.S. PATENT DOCUMENTS

4,838,709 A	*	6/1989	Guerrero et al.	383/18
D303,042 S	*	8/1989	Mackey	D6/630
D328,096 S	*	7/1992	Gordon	D19/26
D350,448 S	*	9/1994	Hill	D6/630
D352,604 S	*	11/1994	Johnson	D3/303
D382,166 S	*	8/1997	Alves et al.	D6/634
D386,014 S	*	11/1997	Chen	D6/407
D391,605 S	*	3/1998	Wyant	D19/27
D403,915 S	*	1/1999	Temple et al.	D6/631
D407,432 S	*	3/1999	Tell	D19/26
D412,936 S	*	8/1999	Hodes	D19/26
D427,766 S	*	7/2000	Hillman	D3/218
D428,700 S	*	8/2000	Hillman	D3/287
D428,755 S	*	8/2000	Bergh	D6/631

(57) **CLAIM**

I claim the ornamental design for the compact disk carrying case with matte silver cover, as shown and described.

DESCRIPTION

FIG. 1 is a front view of a disk carrying case with a matte silver cover, showing my new design, the lines on the cover being understood to represent matte silver throughout the views;

FIG. 2 is a right side view thereof;

FIG. 3 is a left side view thereof;

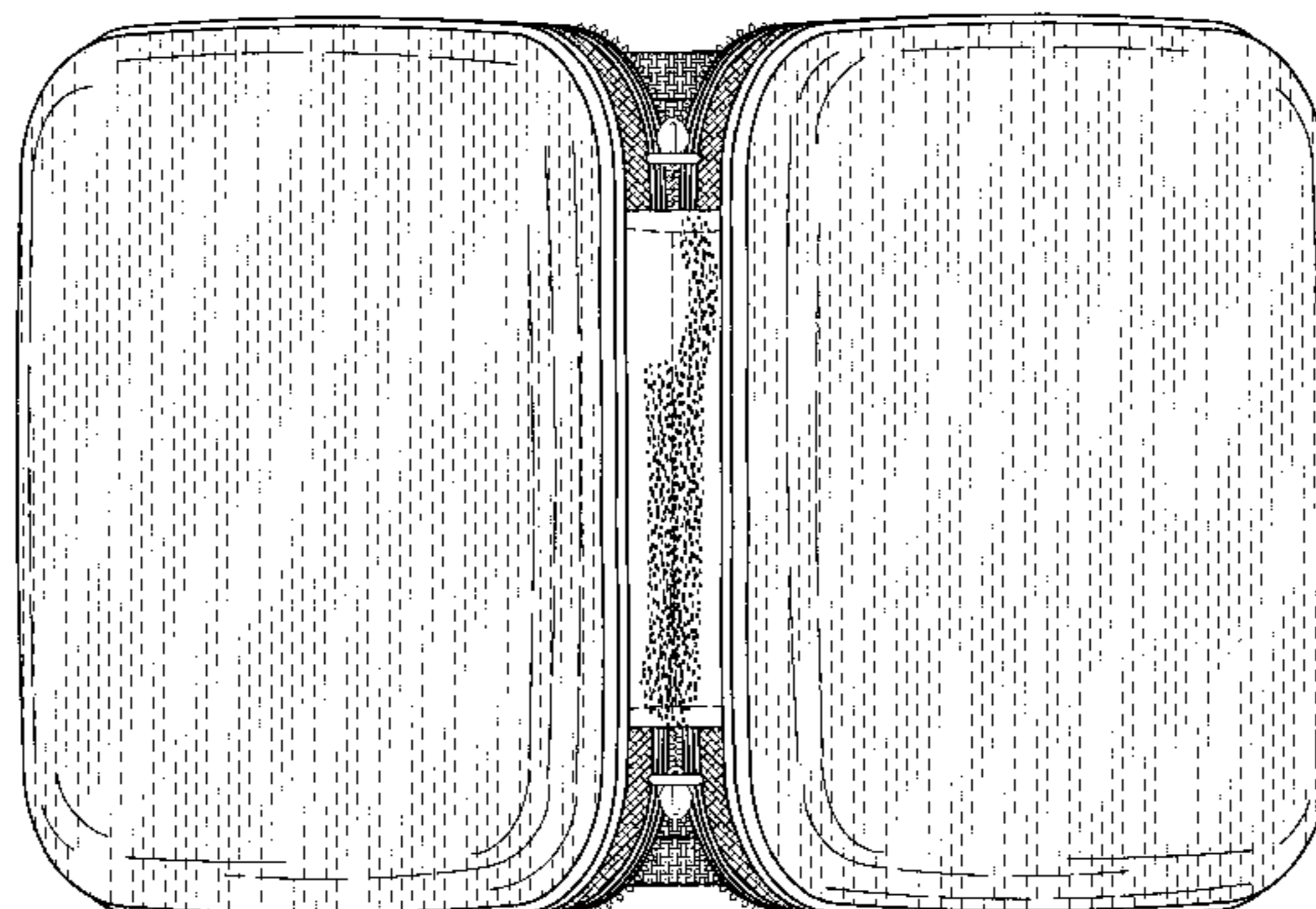
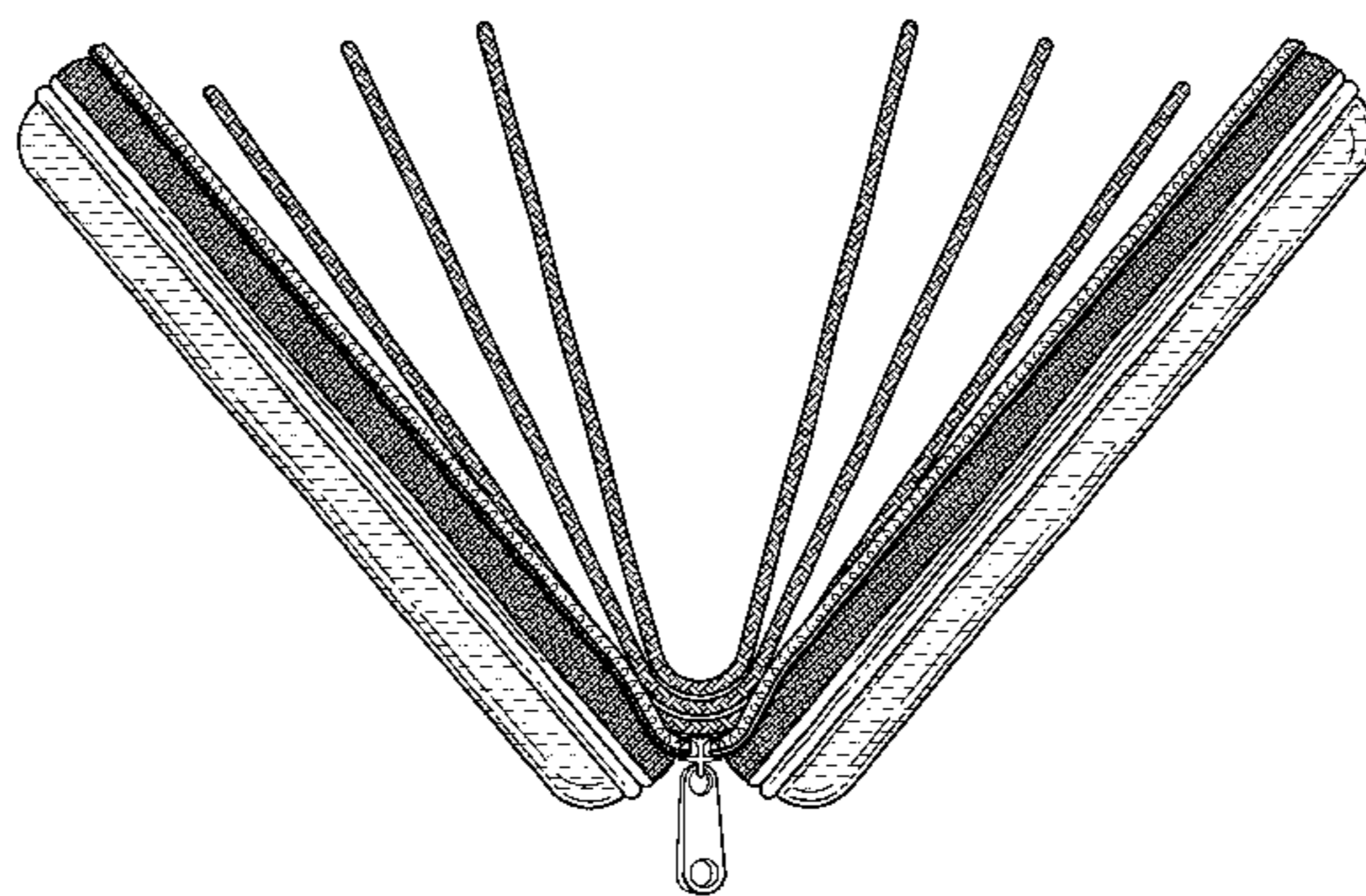
FIG. 4 is a rear view thereof;

FIG. 5 is a bottom view thereof; and,

FIG. 6 is a top view thereof.

The broken lines shown on the bottom of the case in FIG. 5 are understood to represent stitching.

1 Claim, 5 Drawing Sheets



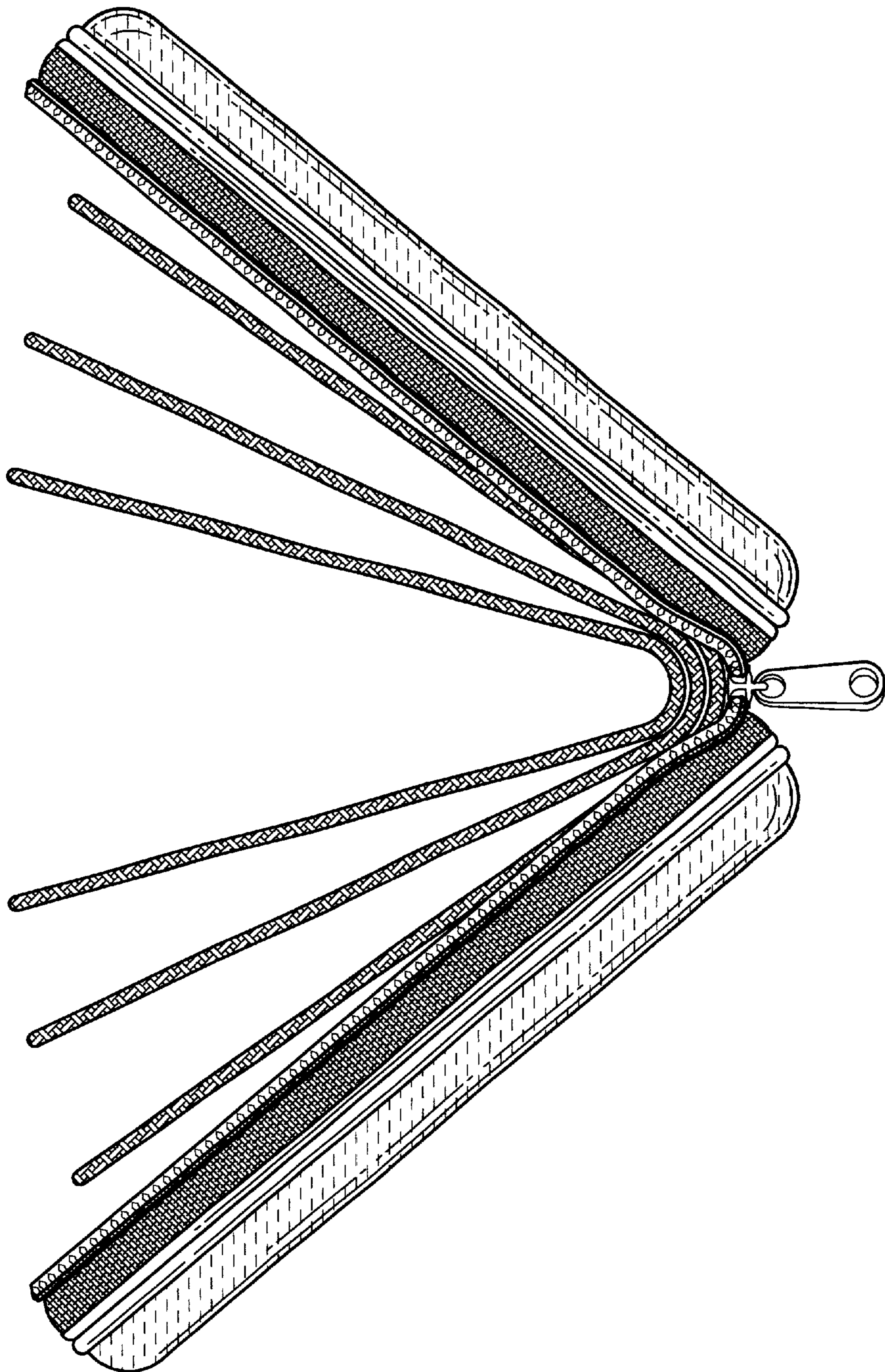


FIG. 1

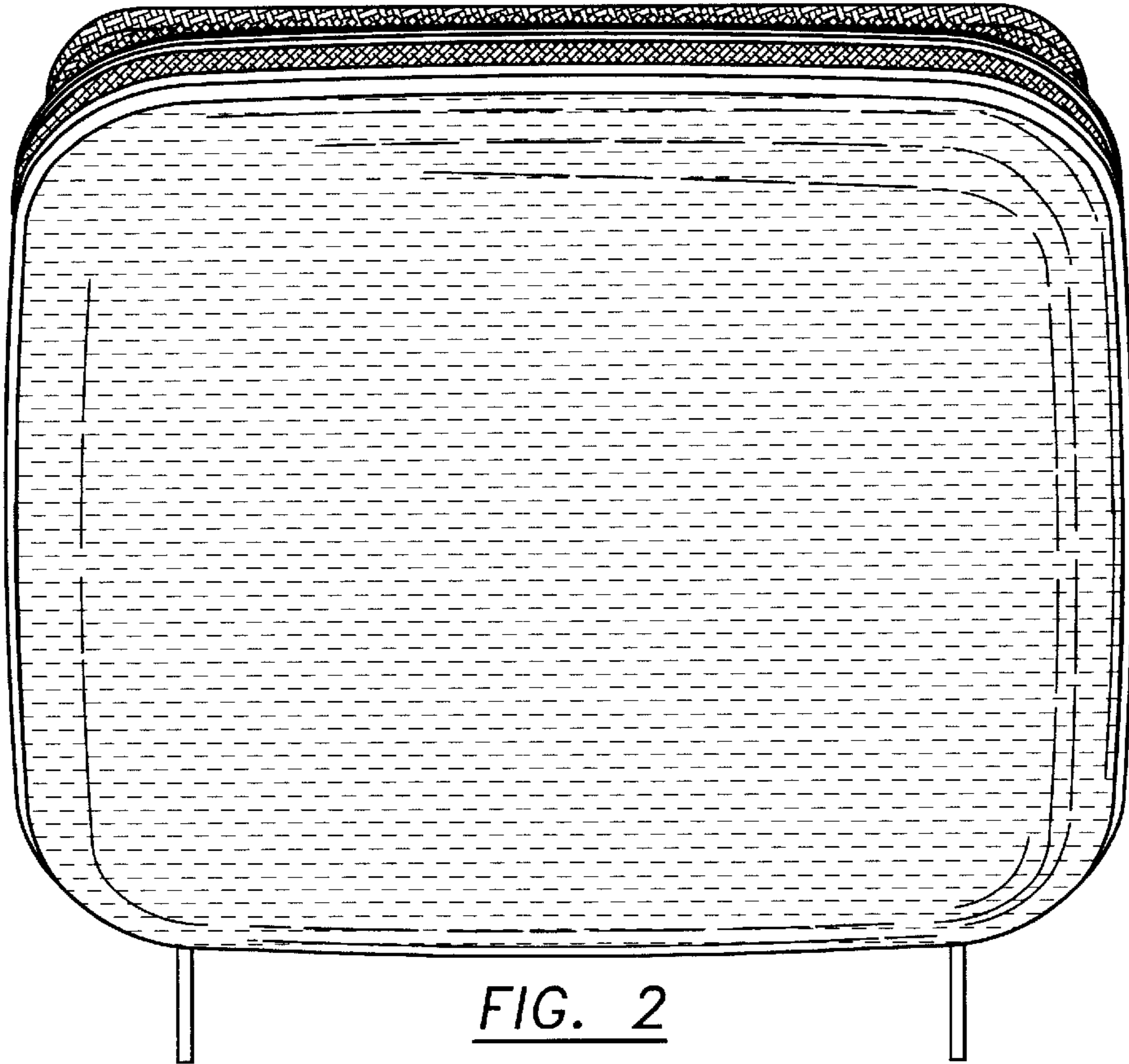


FIG. 2

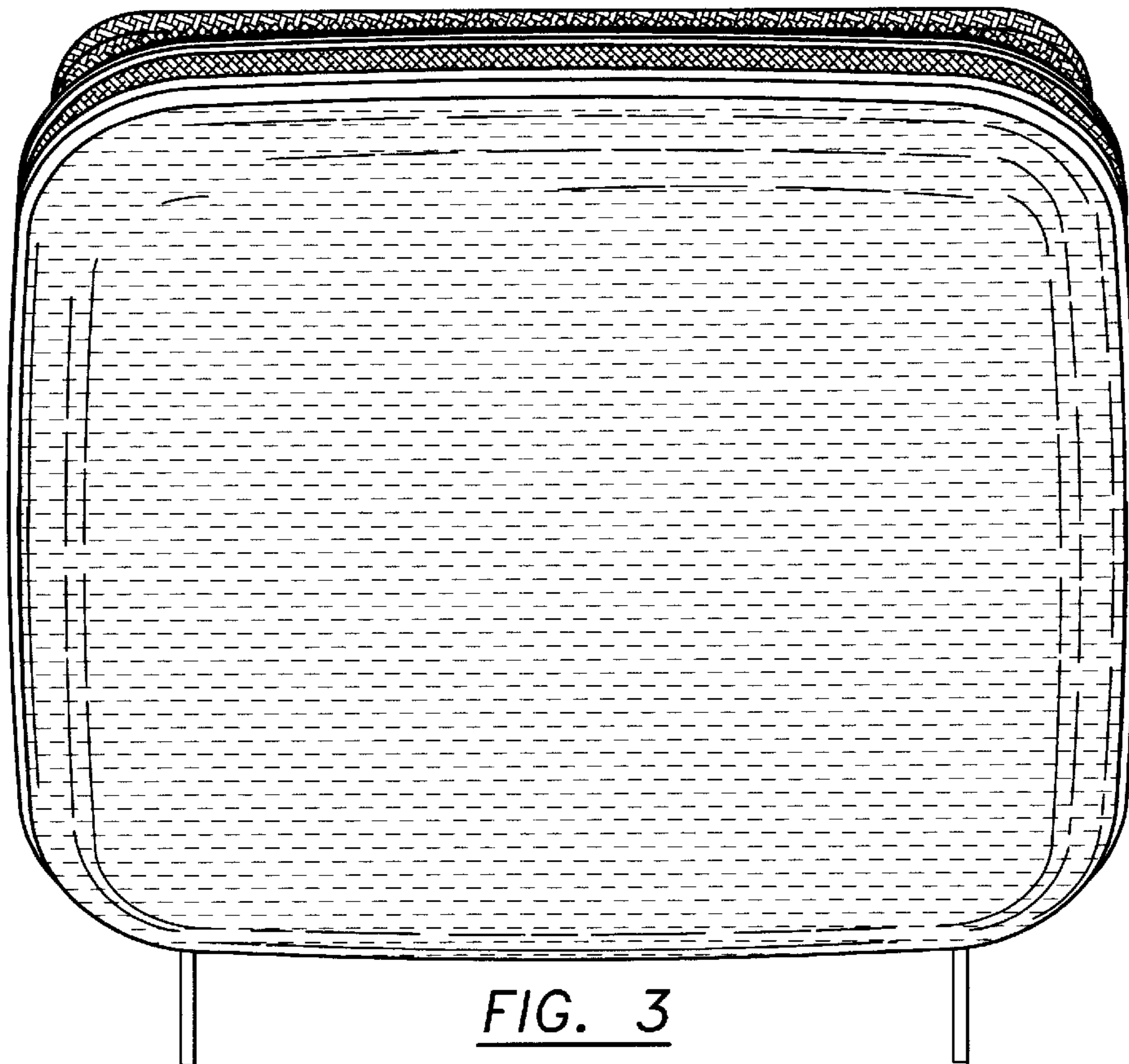


FIG. 3

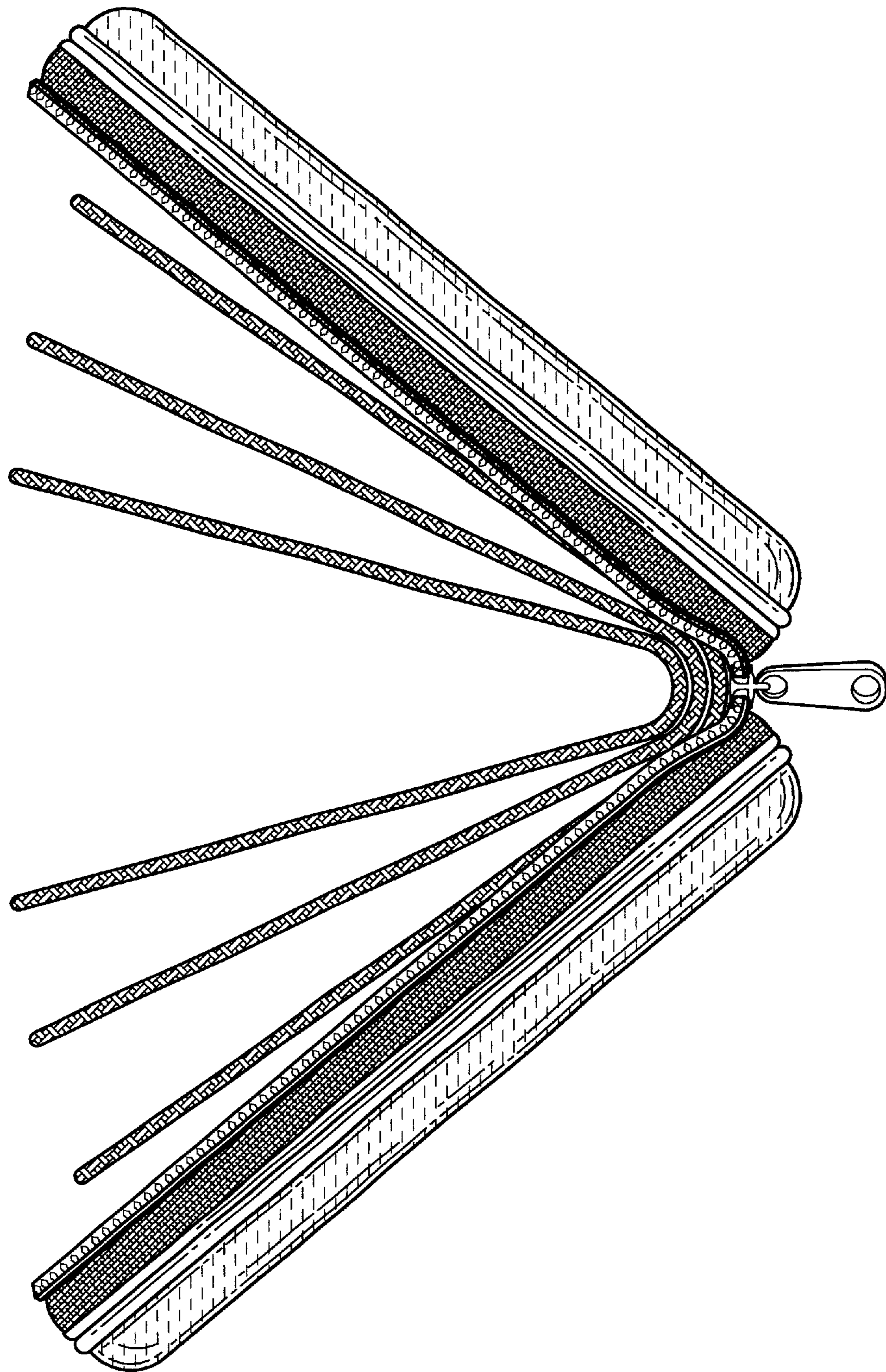


FIG. 4

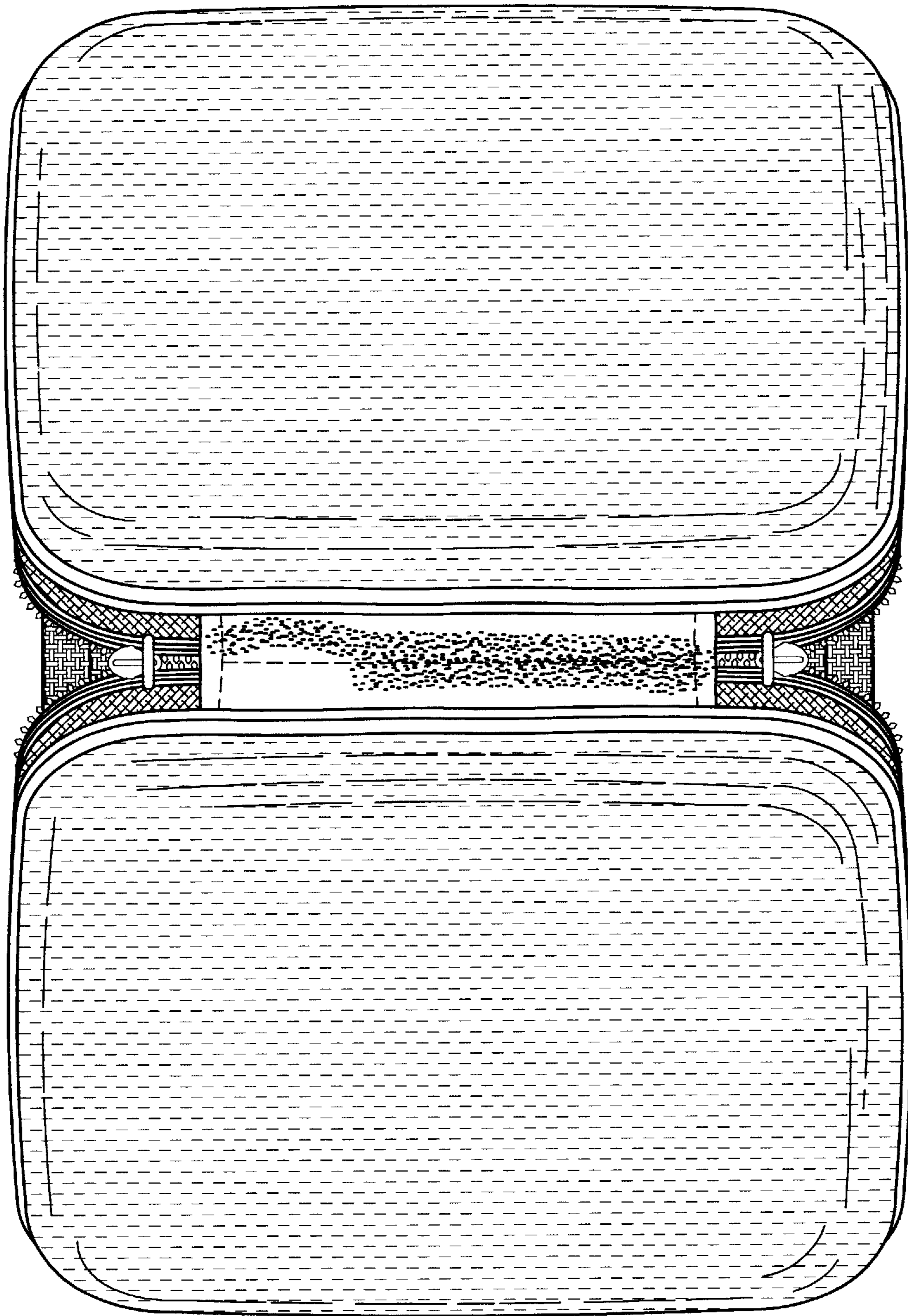


FIG. 5

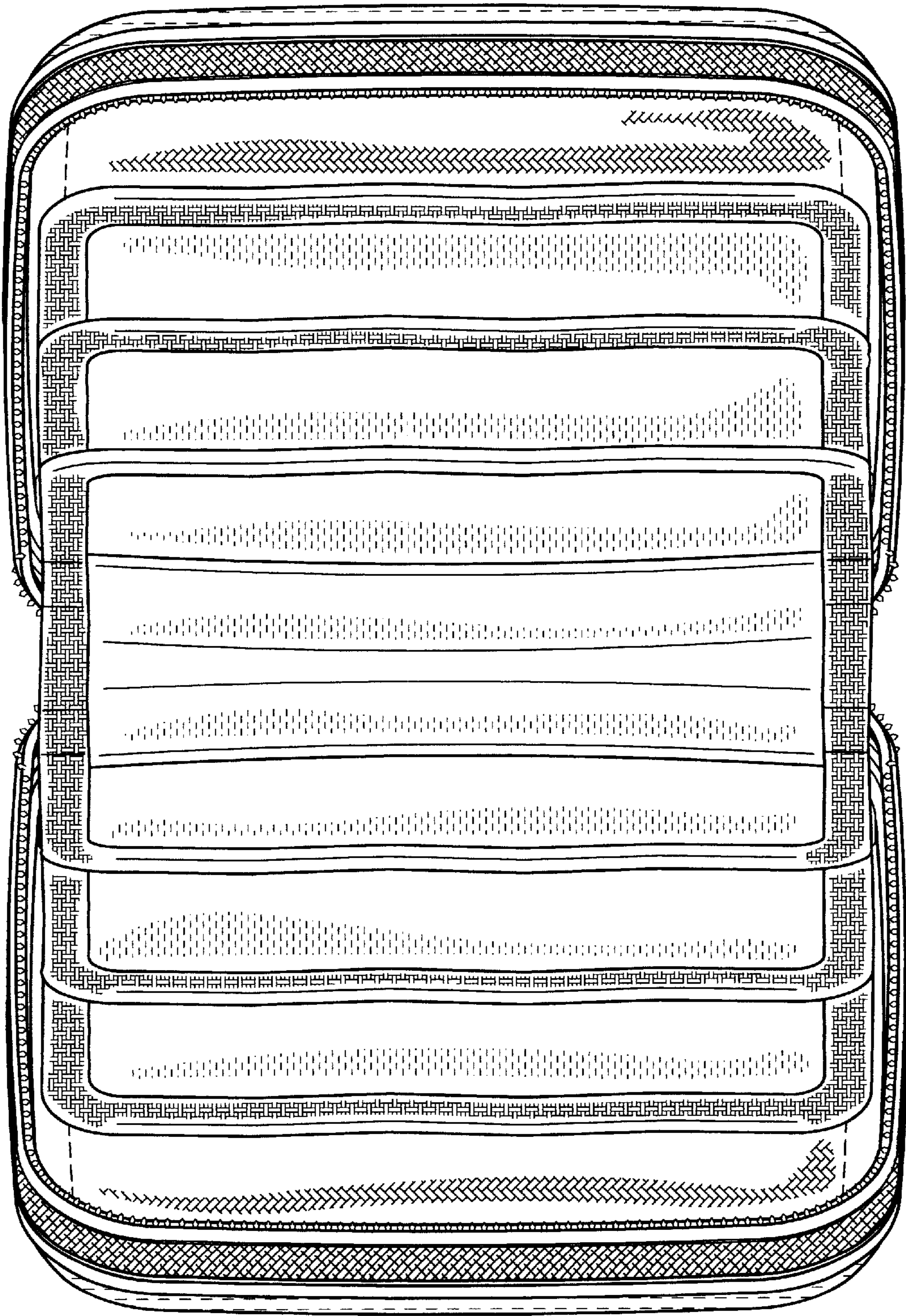


FIG. 6