



US00D455926S

(12) **United States Design Patent**
Ou-Young

(10) **Patent No.:** **US D455,926 S**

(45) **Date of Patent:** **** Apr. 23, 2002**

(54) **TOWEL RING**

(75) Inventor: **Ming Ou-Young, Tai Chung (TW)**

(73) Assignee: **Globe Union America Corporation,**
Bolingbrook, IL (US)

(**) Term: **14 Years**

4,907,771 A	*	3/1990	Wang	248/251 X
D312,935 S		12/1990	Chap et al.		
D317,691 S		6/1991	Wang		
D334,315 S		3/1993	Bengtson		
D343,085 S	*	1/1994	Bell	D6/550
D357,378 S	*	4/1995	Lehn et al.	D6/546
D432,839 S	*	10/2000	Gastelum et al.	D6/546
D432,843 S		10/2000	Gastelum et al.		

* cited by examiner

(21) Appl. No.: **29/136,925**

(22) Filed: **Feb. 9, 2001**

(51) **LOC (7) Cl.** **06-04**

(52) **U.S. Cl.** **D6/546**

(58) **Field of Search** D6/546-50, 518,
D6/522-24; D8/300, 315-21, 354, 363,
373, 380; 108/28-29; 211/13.1, 16, 60.1,
86.01, 87.01, 88.04, 100, 105.1-105.2,
123, 181.1, 182; 248/175, 176.1, 251, 302;
16/110.1, 412, 415; 242/570, 590, 595-598;
206/389

Primary Examiner—Brian N. Vinson
(74) *Attorney, Agent, or Firm*—Brinks Hofer Gilson & Lione

(57) **CLAIM**

The ornamental design for a towel ring, as shown and described.

DESCRIPTION

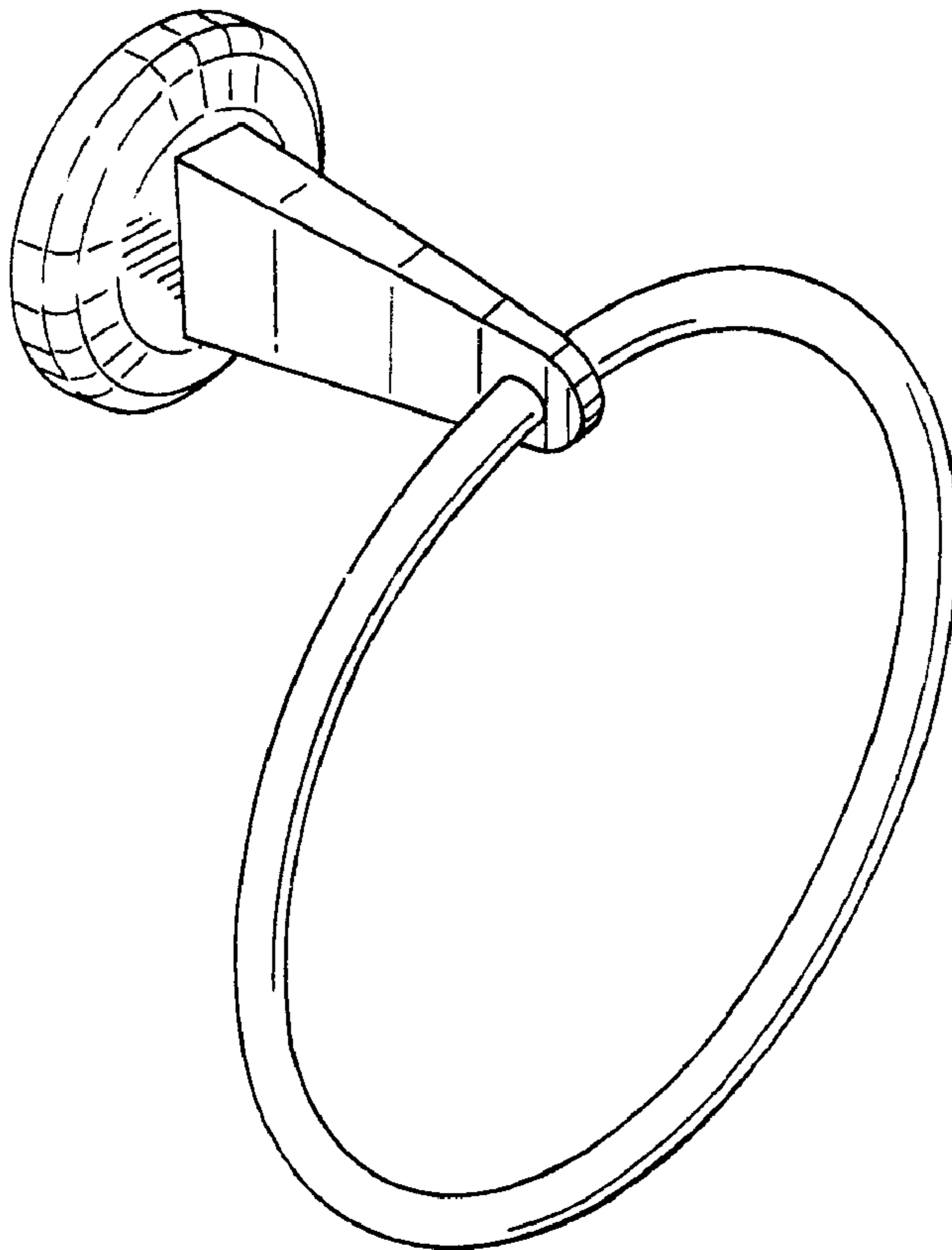
FIG. 1 is a perspective view showing our new design.
FIG. 2 is a top view thereof.
FIG. 3 is a front view thereof.
FIG. 4 is a side view thereof.
FIG. 5 is a back view thereof; and,
FIG. 6 is a bottom view thereof.

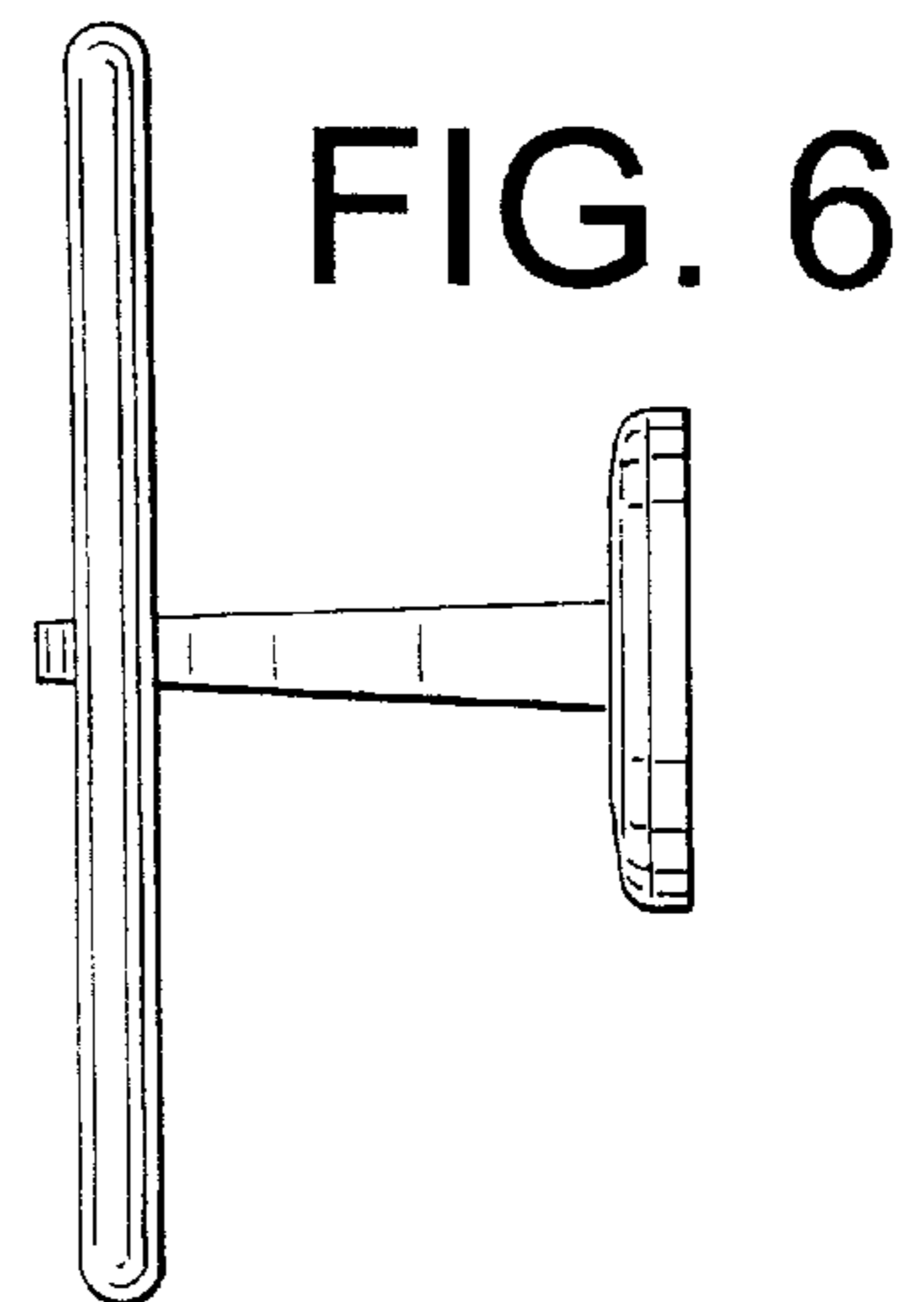
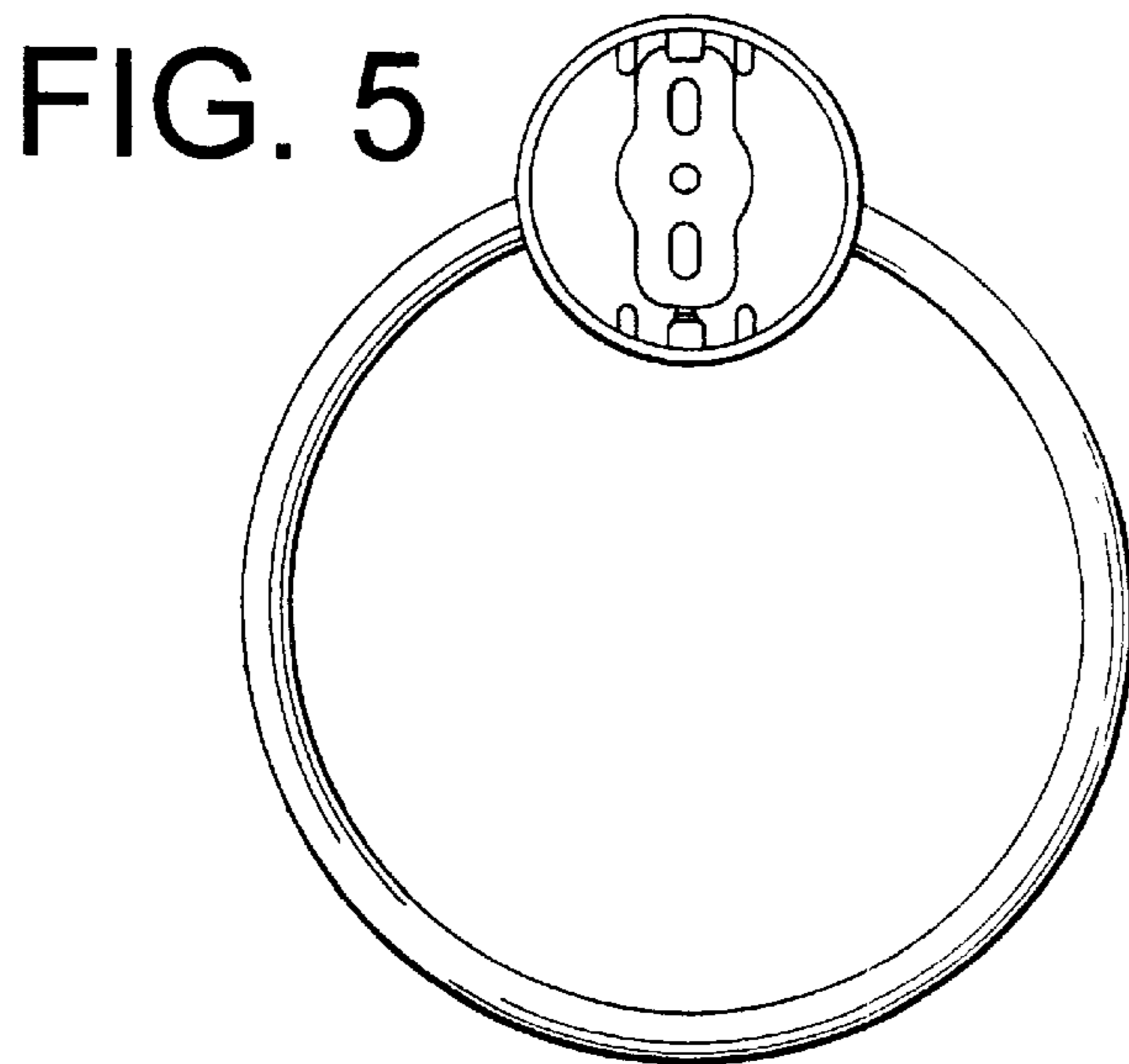
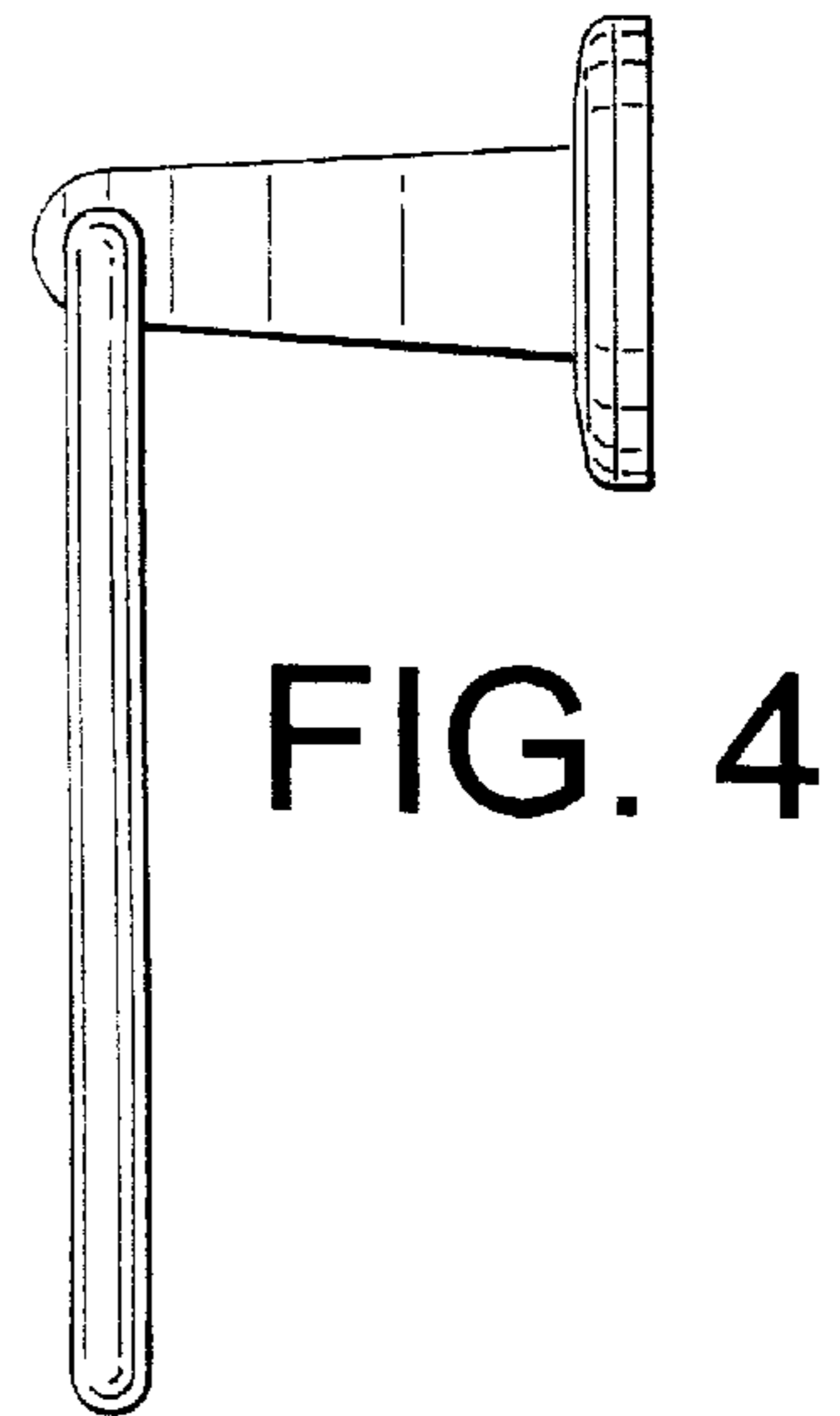
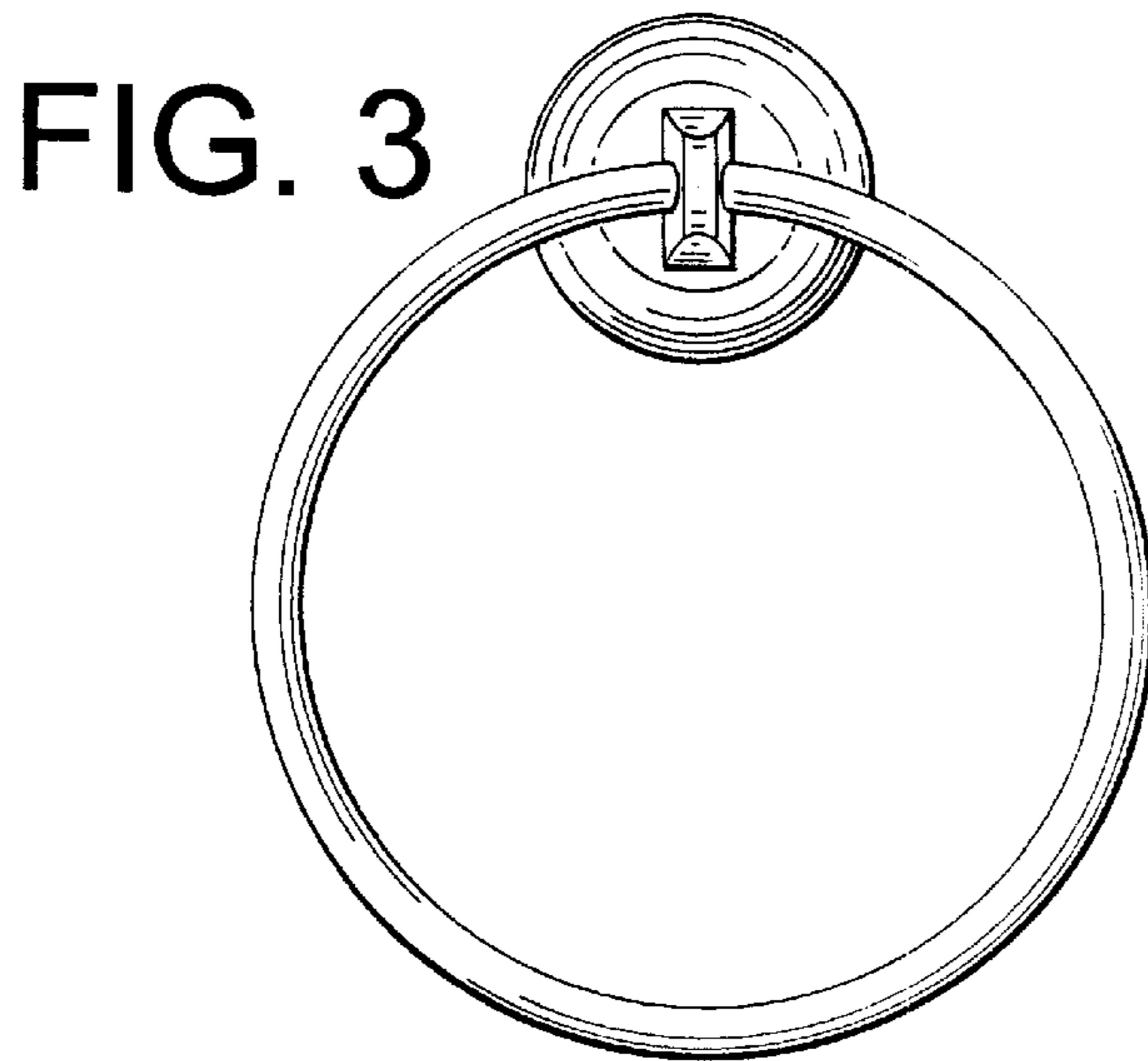
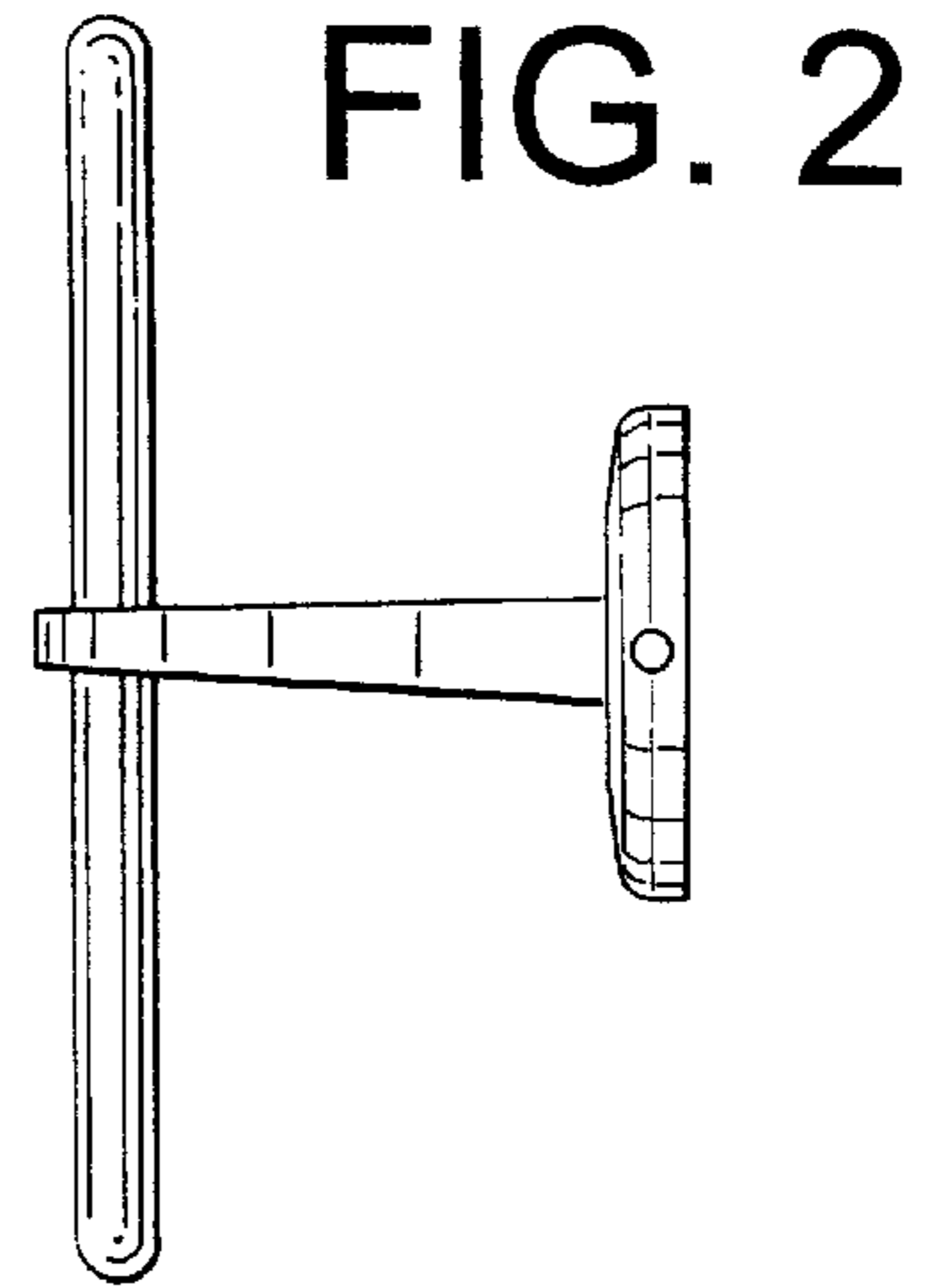
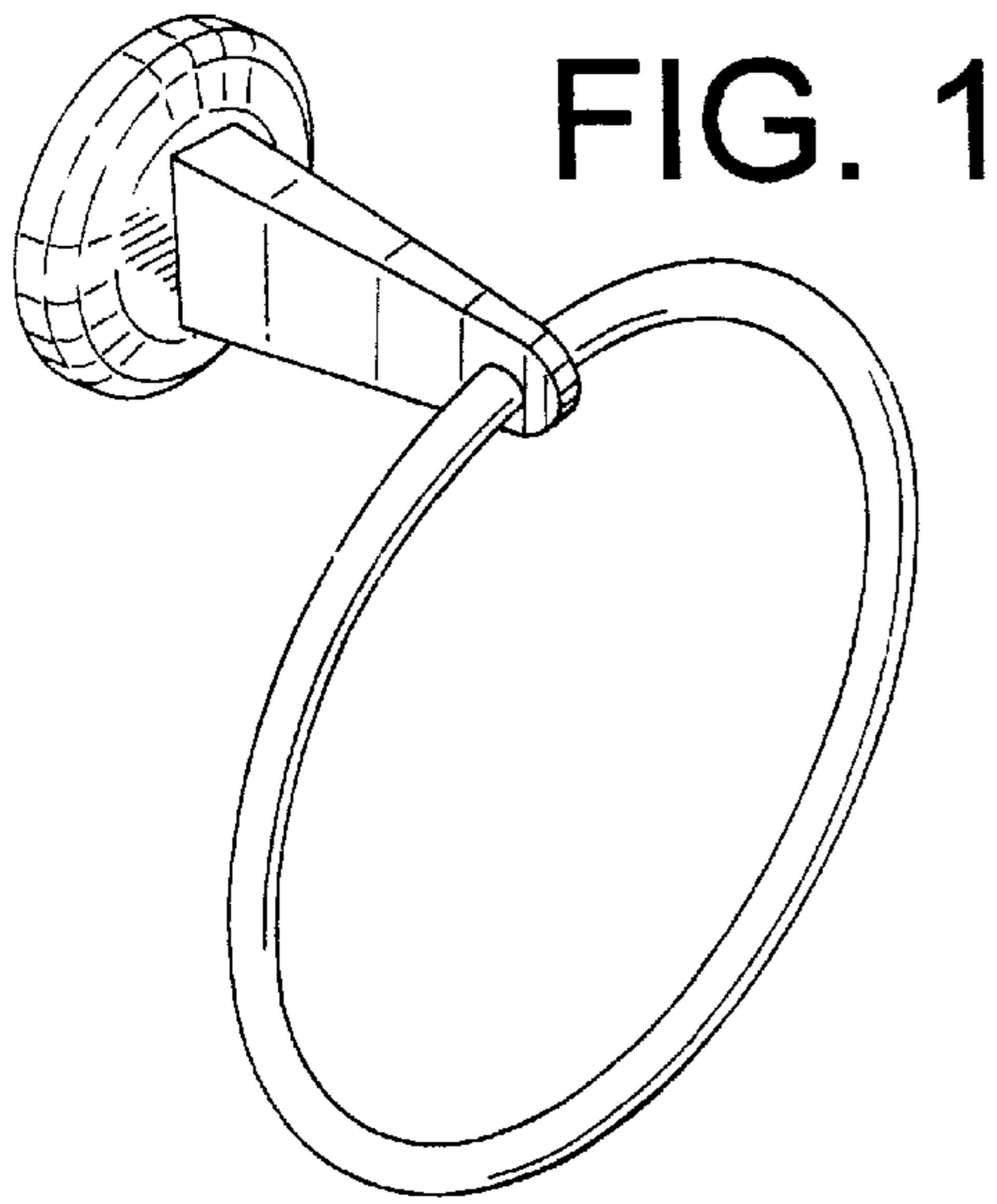
(56) **References Cited**

U.S. PATENT DOCUMENTS

D251,462 S		4/1979	Tegner		
4,637,582 A	*	1/1987	Boda	D6/546 X
D298,895 S		12/1988	Sharpe		

1 Claim, 1 Drawing Sheet





UNITED STATES PATENT AND TRADEMARK OFFICE
CERTIFICATE OF CORRECTION

PATENT NO. : Des. 455,926 S
DATED : April 23, 2002
INVENTOR(S) : Chung-Fang Chen

Page 1 of 1

It is certified that error appears in the above-identified patent and that said Letters Patent is hereby corrected as shown below:

Title page,

Item [12], delete "**Ou-Yound**" and substitute -- **Chen** -- in its place.

Item [75], delete "**Ming Ou-Young,**" and substitute -- **Chung-Fang Chen,** -- in its place.

Signed and Sealed this

Fifth Day of August, 2003

A handwritten signature in black ink, appearing to read "James E. Rogan", with a horizontal line drawn underneath it.

JAMES E. ROGAN

Director of the United States Patent and Trademark Office