



US00D455925S

(12) **United States Design Patent**
Carlson et al.

(10) **Patent No.: US D455,925 S**
(45) **Date of Patent: ** Apr. 23, 2002**

(54) **TOOTHBRUSH-TUMBLER HOLDER**
(75) Inventors: **Roger Alan Carlson**, Randolph;
Leszek Solowiej, Montville, both of NJ
(US)
(73) Assignee: **Melard Manufacturing Corp.**, Passaic,
NJ (US)
(**) Term: **14 Years**
(21) Appl. No.: **29/124,610**
(22) Filed: **Jun. 8, 2000**
(51) **LOC (7) Cl. 23-02**
(52) **U.S. Cl. D6/531**
(58) **Field of Search** D6/534-540, 528-529,
D6/531, 524; 248/309.1; 206/77.1; 211/13.1,
86.01, 88.01, 126.1, 134

D161,425 S 1/1951 Cleverdon
D162,224 S 2/1951 Ricard
2,642,331 A 6/1953 Sprinkle
D171,029 S 12/1953 Coleman
D176,162 S 11/1955 Steece
2,917,182 A 12/1959 Browne
3,108,695 A 10/1963 Morris
3,194,621 A 7/1965 Frost
D204,734 S * 5/1966 O'Neil D6/536
D219,599 S 12/1970 Rams et al.
3,794,181 A 2/1974 Canham
D234,036 S 1/1975 Nixon
D242,672 S 12/1976 Harris
D262,922 S * 2/1982 Fleischmann et al. D6/531
D296,401 S 6/1988 Danial
D314,109 S 1/1991 Jordan
D320,123 S 9/1991 Wolf et al.

(List continued on next page.)

OTHER PUBLICATIONS

Brochure Pages: 1) Melard Manufacturing Corp. No. 9605, 2) Melard Manufacturing Corp. Waldorf Collection, 3) Melard Manufacturing Corp. Solid Brass Collection, 4) Melard Bath Accessories Comtemporany, 5) Melard Bath Accessories Traditional, undated.

Primary Examiner—Brian N. Vinson
(74) *Attorney, Agent, or Firm*—Edgar A. Zarins; Lloyd D. Doigan

(57) **CLAIM**

The ornamental design for a toothbrush-tumbler holder, as shown and described.

DESCRIPTION

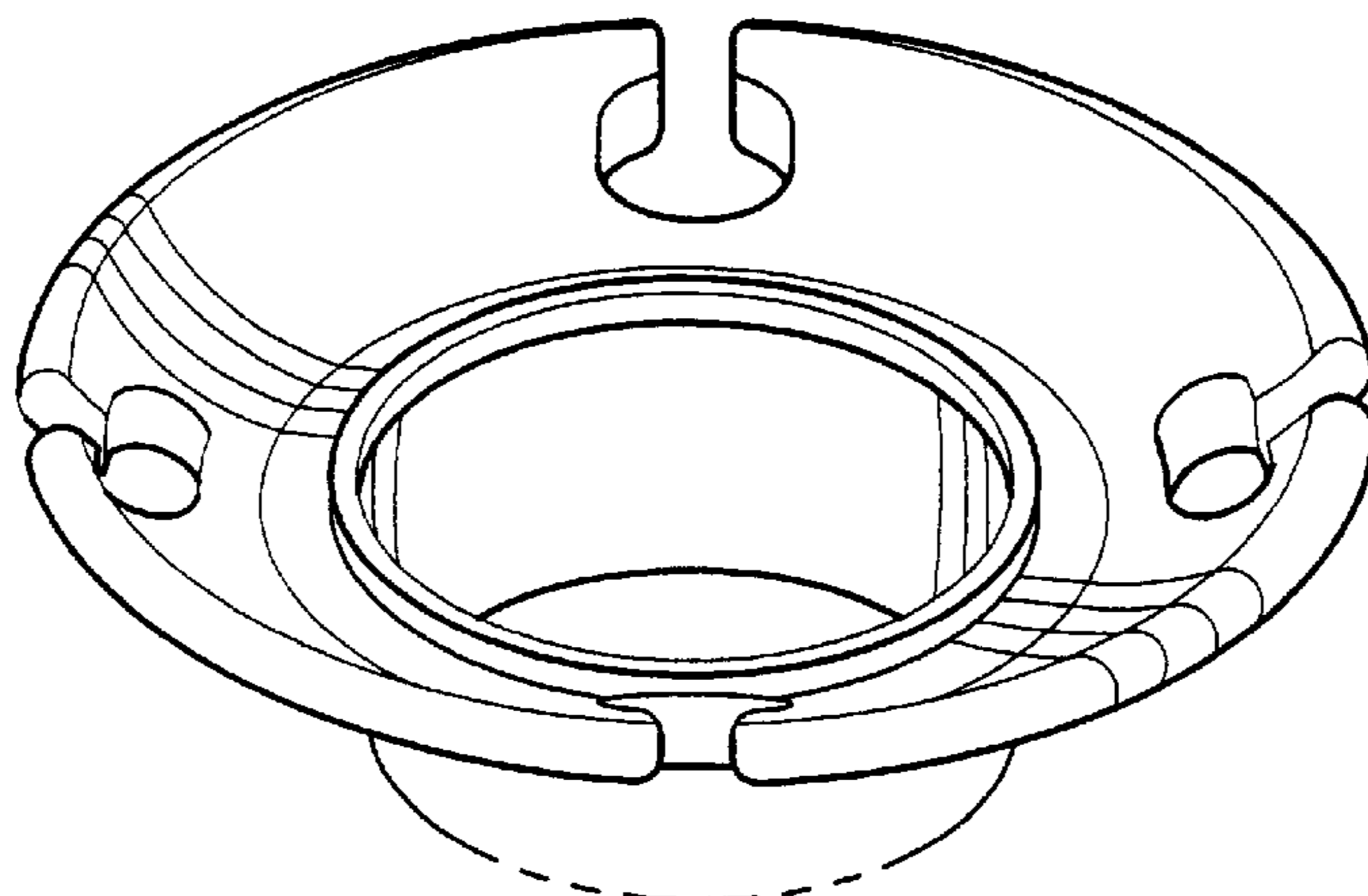
FIG. 1 is a top and front perspective view of a toothbrush-tumbler holder showing our new design;
FIG. 2 is a top plan view thereof;
FIG. 3 is a front elevational view thereof, the sides adjacent and rear being identical in appearance; and,
FIG. 4 is a bottom plan view thereof.
The broken-line disclosure in the views is for illustrative purposes only and forms no part of the claimed design.

1 Claim, 1 Drawing Sheet

(56) **References Cited**

U.S. PATENT DOCUMENTS

670,481 A 3/1901 Kirkwood
712,824 A 11/1902 Masland
D37,173 S 10/1904 Gent
1,005,985 A 10/1911 Lebherz
1,108,043 A 8/1914 Weder et al.
1,291,349 A 1/1919 Ackers
D54,752 S 3/1920 Kallander
1,356,487 A 10/1920 Cluxton
1,407,347 A 2/1922 Dempewolf
D62,479 S 6/1923 Erickson
1,483,035 A 2/1924 Wyatt
D65,357 S 7/1924 Strnad
1,566,193 A 12/1925 Foster et al.
1,735,512 A 11/1929 Siegel
1,981,674 A 11/1934 Soloman
2,028,694 A * 1/1936 Spinks D6/535 X
2,074,248 A 3/1937 Barbour
2,103,415 A 12/1937 Greenwood
D122,263 S 9/1940 Durin
2,400,445 A 5/1946 Tucker
D152,461 S 1/1949 Elliott
D152,991 S 3/1949 Levin
D154,940 S 8/1949 Mayer



US D455,925 S

Page 2

U.S. PATENT DOCUMENTS

D340,161 S	10/1993	Regidor	D416,153 S	* 11/1999	Chen	D6/524
D341,282 S	11/1993	Russo	D416,416 S	11/1999	Kelso et al.	
5,609,259 A	3/1997	Menard	D416,728 S	11/1999	Kelso et al.	
D386,342 S	* 11/1997	Moore	D417,992 S	* 12/1999	Roth et al.	D6/531
5,740,929 A	4/1998	Frankel	D419,018 S	1/2000	Jeynes	

* cited by examiner

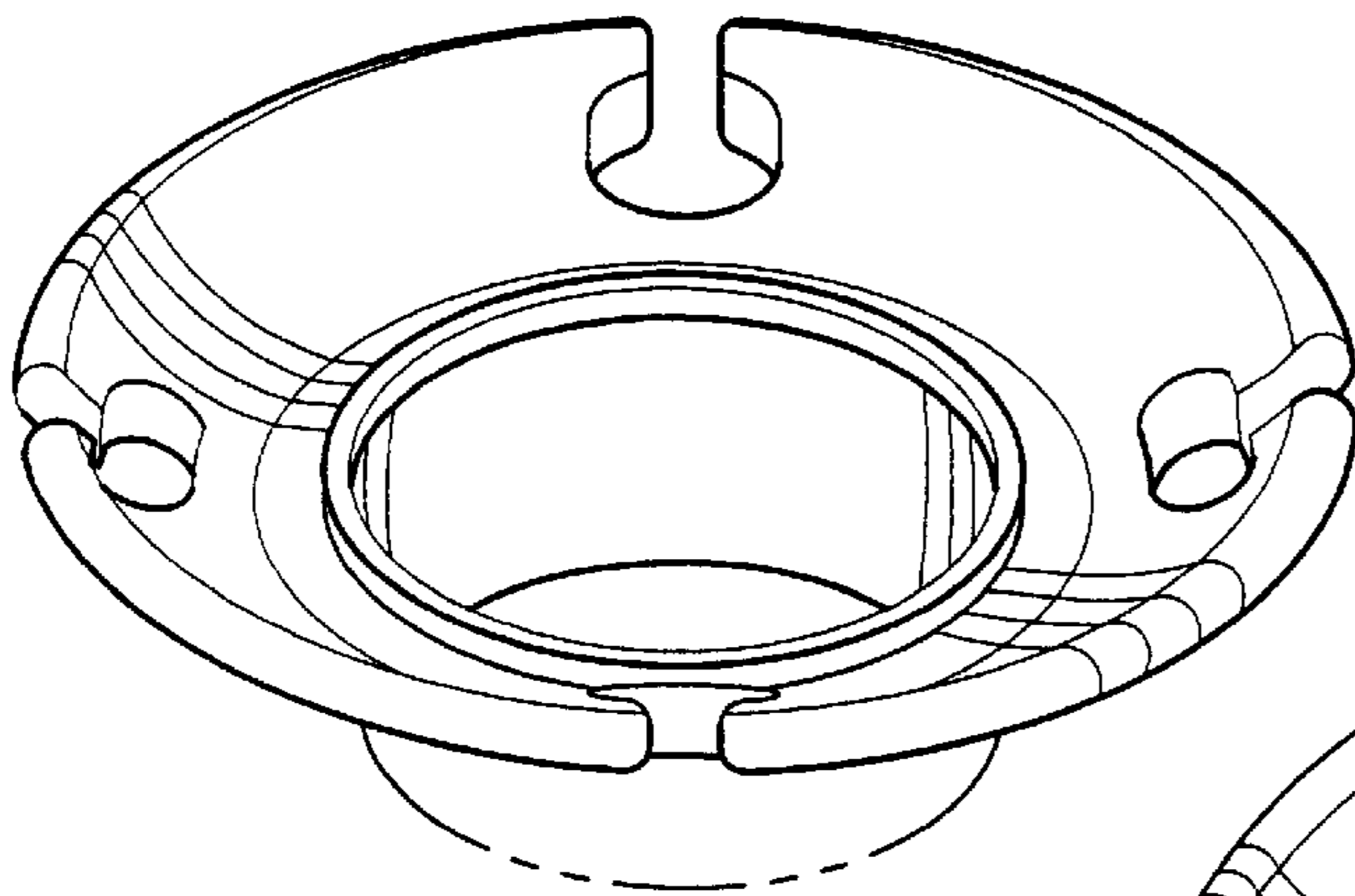


Fig-1

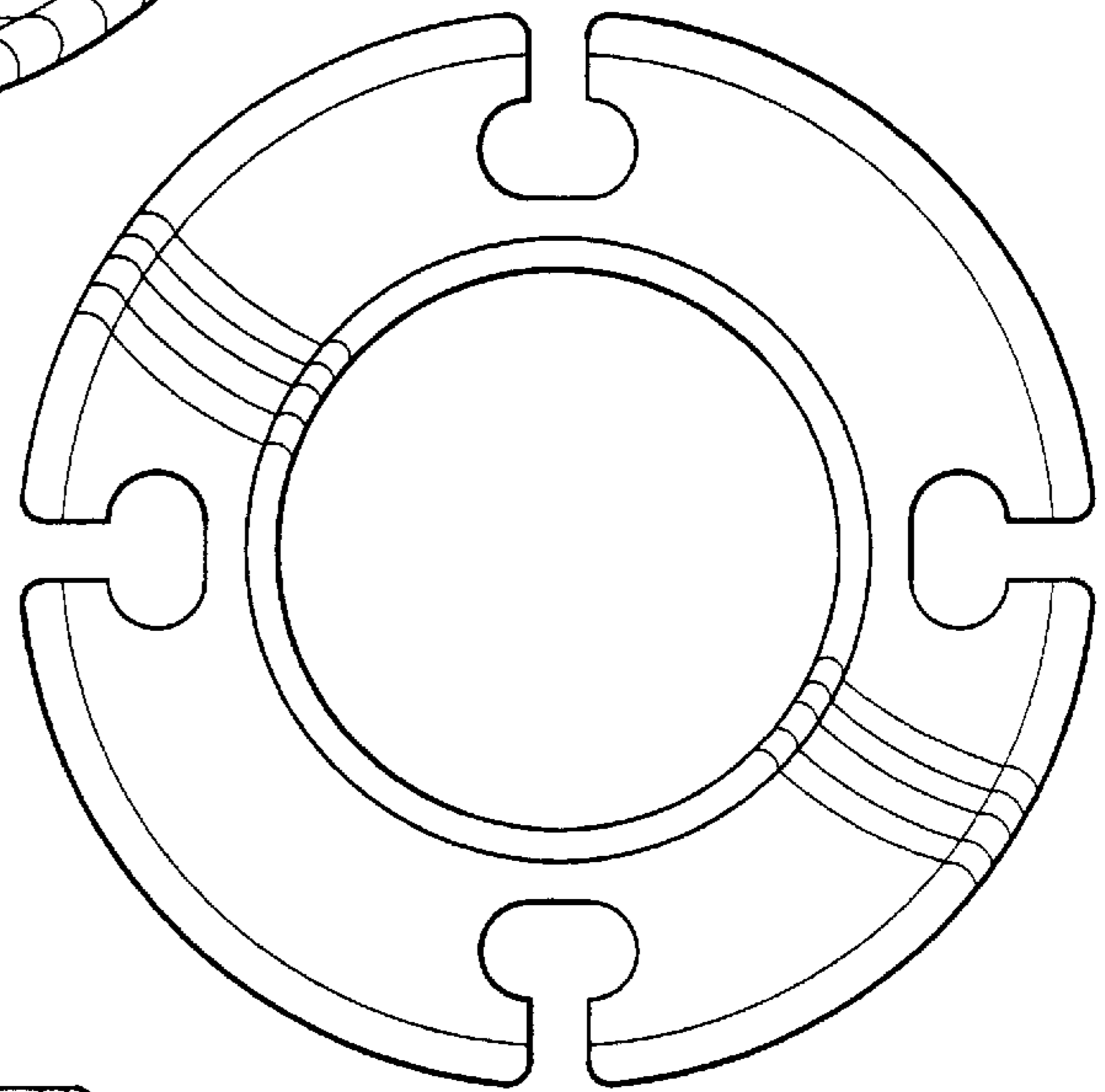


Fig-2

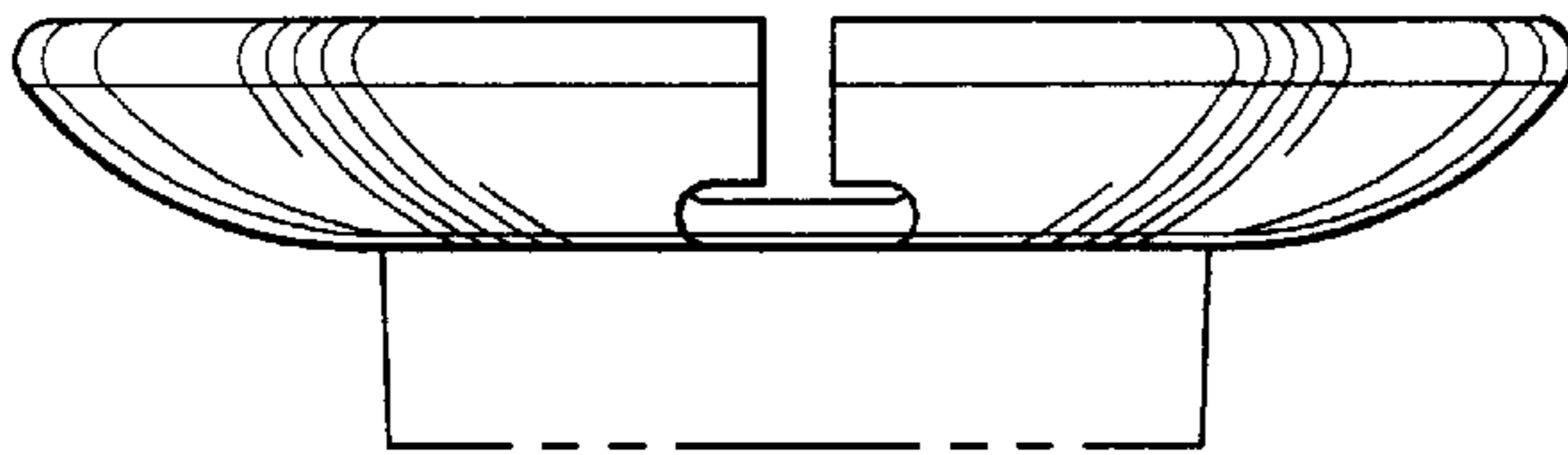


Fig-3

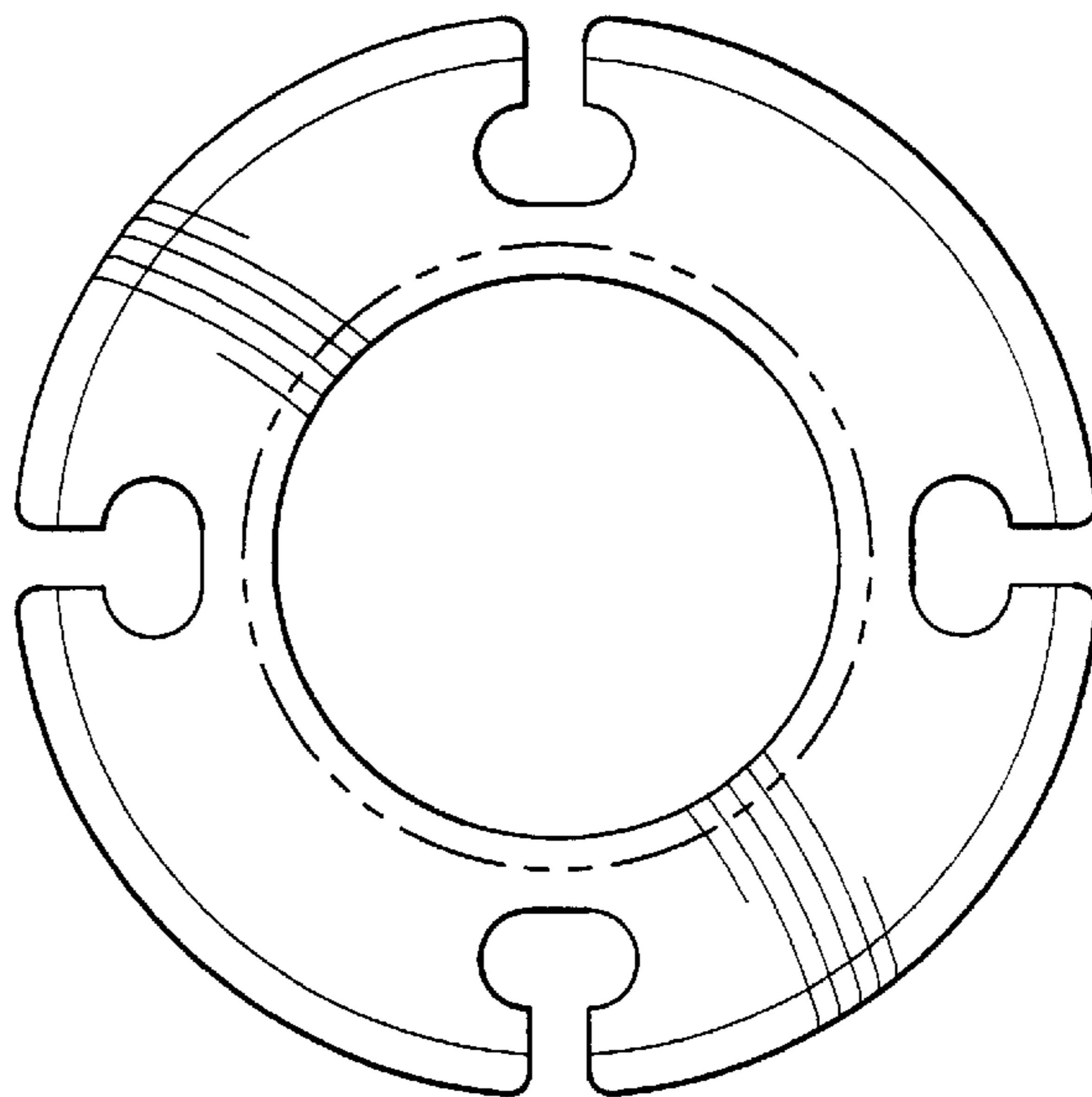


Fig-4