



US00D455924S

(12) **United States Design Patent**
Zetsche

(10) **Patent No.:** **US D455,924 S**

(45) **Date of Patent:** **** Apr. 23, 2002**

(54) **HOLDER FOR SPARE TOILET PAPER**

(75) Inventor: **Reinhard Zetsche**, Munich (DE)

(73) Assignee: **Hansa Metallwerke AG** (DE)

(**) Term: **14 Years**

(21) Appl. No.: **29/131,493**

(22) Filed: **Oct. 23, 2000**

(30) **Foreign Application Priority Data**

Apr. 25, 2000 (DE) 4 00 04 233

(51) **LOC (7) Cl.** **23-02**

(52) **U.S. Cl.** **D6/523; D6/521**

(58) **Field of Search** D6/546-50, 518,
D6/522-24; D8/300, 315-21, 354, 363,
373, 380; 108/28-29; 211/13.1, 16, 60.1,
86.01, 87.01, 88.04, 100, 105.1-105.2,
123, 181.1, 182; 248/175, 176.1, 251, 302;
16/110.1, 412, 415; 242/570, 590, 595-598;
206/389

(56) **References Cited**

U.S. PATENT DOCUMENTS

2,632,605 A * 3/1953 Lee 242/597.3

3,370,805 A * 2/1968 Barbee 242/597.7 X
D218,331 S * 8/1970 Uitz D6/523
D299,213 S * 1/1989 Puntillo D8/395
D304,402 S * 11/1989 Hoose D6/523

OTHER PUBLICATIONS

Paul Associates Catalogue p. 38 item 904.*

* cited by examiner

Primary Examiner—Brian N. Vinson

(74) *Attorney, Agent, or Firm*—Factor & Partners, LLC

(57) **CLAIM**

The ornamental design for holder for spare toilet paper, as shown.

DESCRIPTION

FIG. 1 is a perspective view of the holder for spare toilet paper, showing a new ornamental design thereof;

FIG. 2 is a side elevational view thereof; and,

FIG. 3 is a front elevational view thereof.

1 Claim, 3 Drawing Sheets



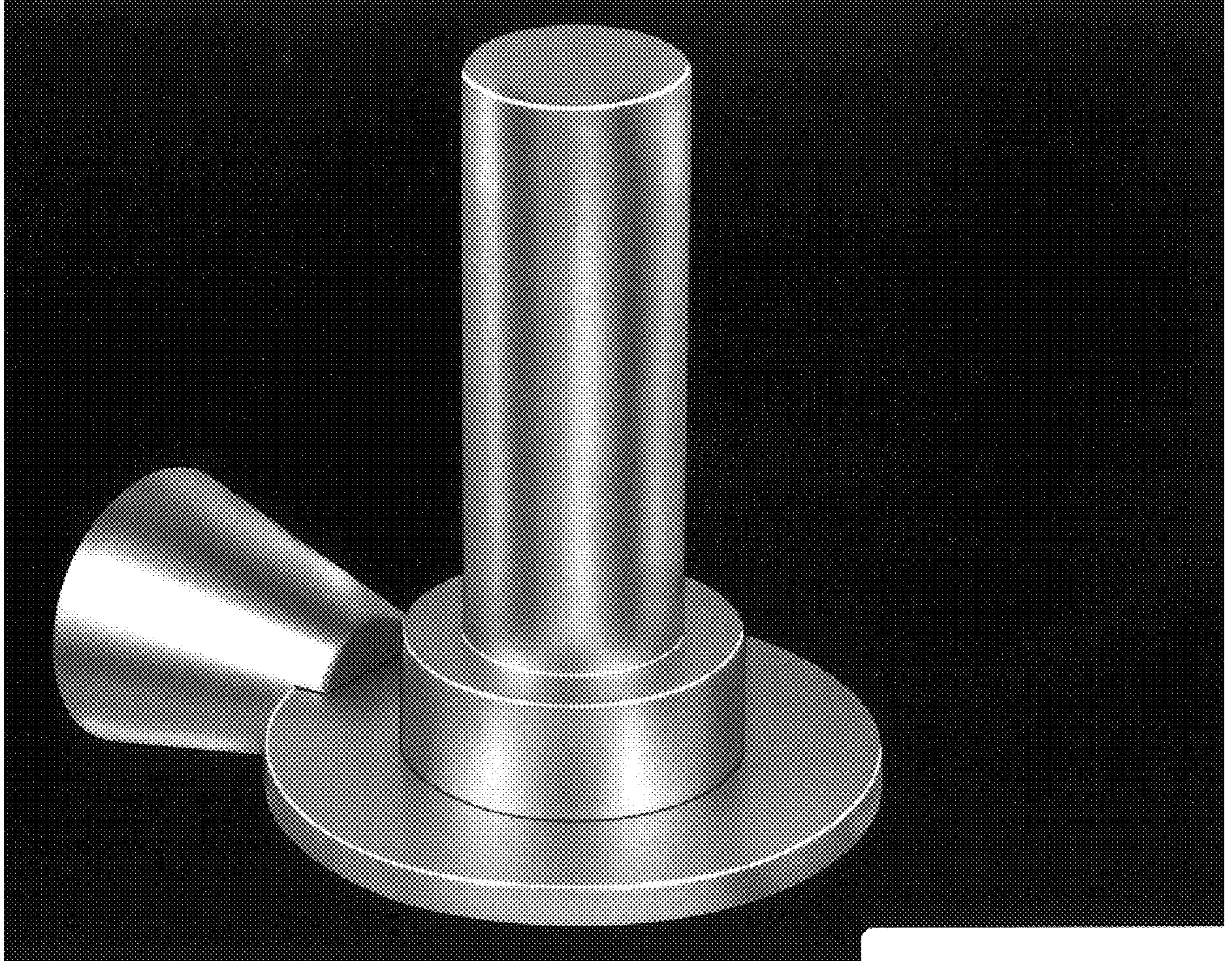


FIG. 1

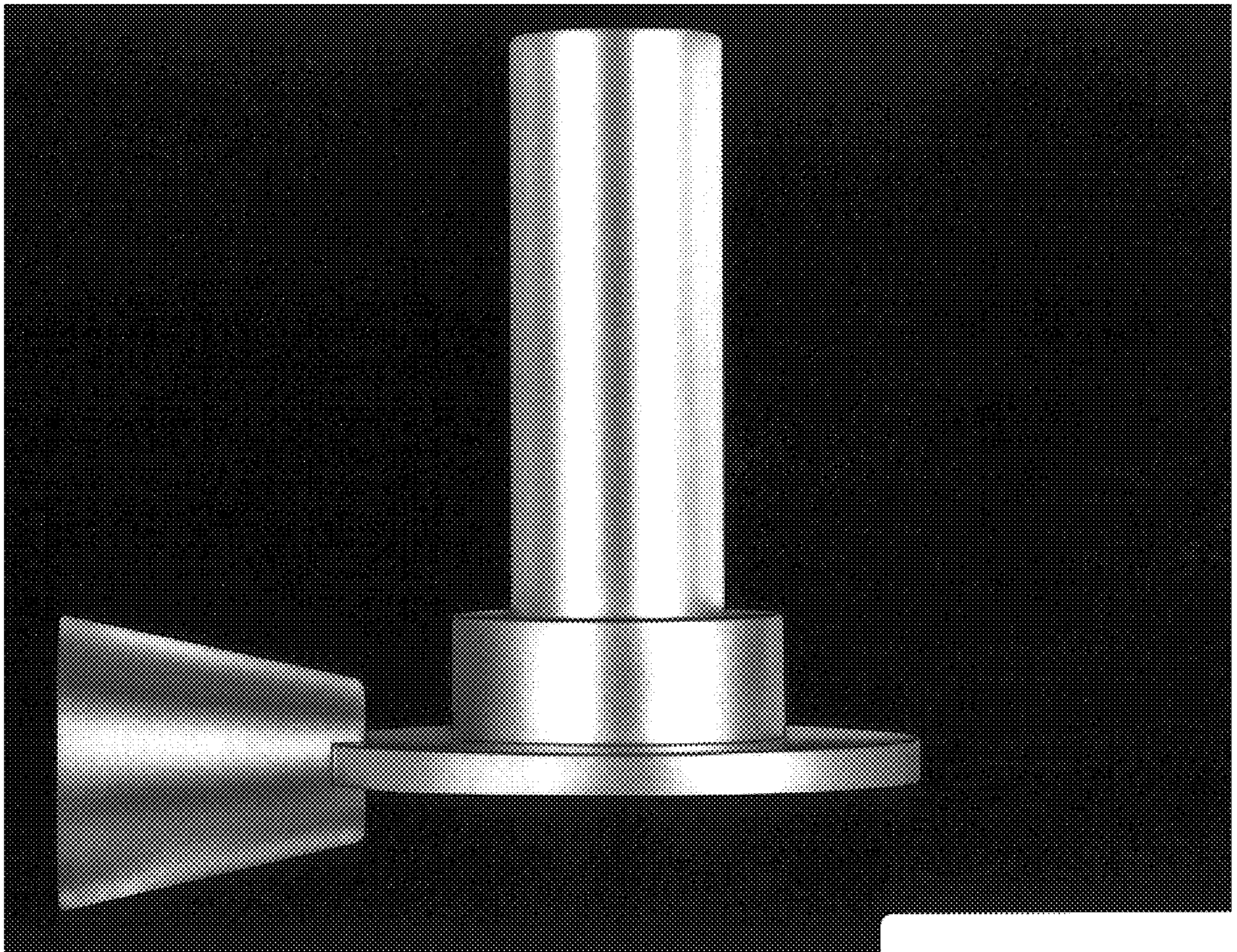


FIG. 2

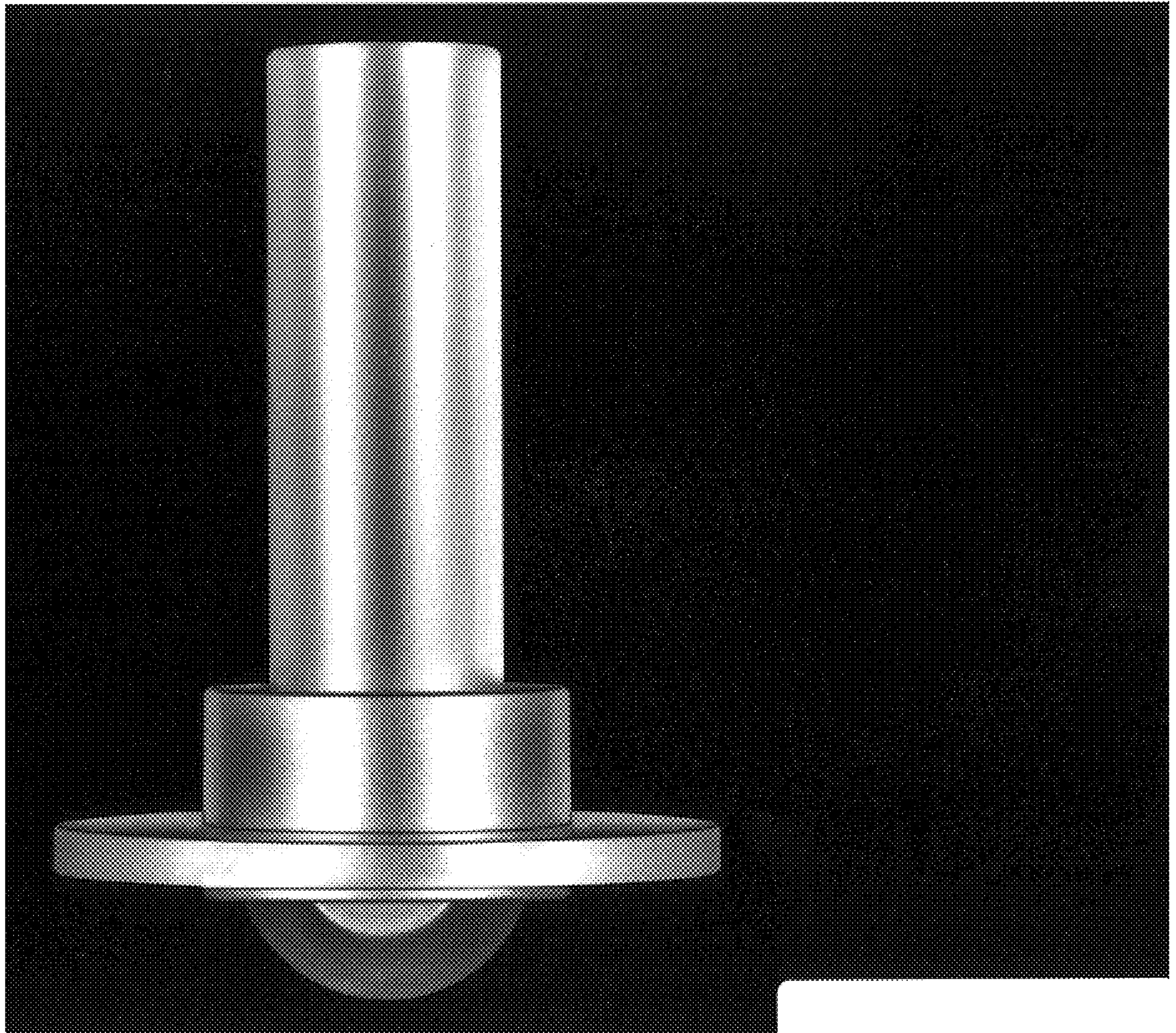


FIG. 3