



US00D455922S

(12) **United States Design Patent**
Rafoth et al.

(10) **Patent No.:** **US D455,922 S**

(45) **Date of Patent:** **** Apr. 23, 2002**

(54) **CEILING RACK FOR POTS, PANS AND UTENSILS**

(75) Inventors: **Steven F. Rafoth; Craig A. Carroll,**
both of Port Townsend, WA (US)

(73) Assignee: **Enclume Design Products, Inc.,** Port
Hadlock, WA (US)

(**) Term: **14 Years**

(21) Appl. No.: **29/122,273**

(22) Filed: **Apr. 20, 2000**

(51) **LOC (7) Cl.** **06-00**

(52) **U.S. Cl.** **D6/513**

(58) **Field of Search** D6/512, 513, 514;
D7/638; 211/13.1, 71-22, 86, 113, 119,
181.1, 182; 248/200, 214, 215, 302, 303,
309.1, 317, 339

(56) **References Cited**

U.S. PATENT DOCUMENTS

- 4,714,166 A 12/1987 Hann et al.
- D392,133 S 3/1998 Chen
- D406,972 S * 3/1999 McCoy D6/513
- D408,666 S 4/1999 Sorensen et al.

OTHER PUBLICATIONS

ENCLUME brochure depicting prior art ceiling racks, the brochure being published more than one year prior to the filing date of this application.

CHANTAL Cookware Corp. brochure depicting prior art Chantal pot rack published more than one year before the filing date of this application.

* cited by examiner

Primary Examiner—Antoine Duval Davis
(74) *Attorney, Agent, or Firm*—Klarquist Sparkman LLP

(57) **CLAIM**

The ornamental design for a ceiling rack for pots, pans and utensils, as shown and described.

DESCRIPTION

FIG. 1 is a perspective view of a ceiling rack in accordance with one embodiment of the present invention.

FIG. 2 is a side view of the ceiling rack of FIG. 1 looking from the right side of FIG. 1, it being understood that the side view from the left side is a mirror image of the view shown in FIG. 2.

FIG. 3 is a top view of the ceiling rack of FIG. 1.

FIG. 4 is a front view of a ceiling rack of FIG. 1, it being understood that the rearview is the same as the front view except that the fastener heads visibly shown in the front view are typically not visible in the rear view.

FIG. 5 illustrates a bottom view of the ceiling rack of FIG. 1.

FIG. 6 is a perspective view of an alternative form of ceiling rack in accordance with the present invention having a grid.

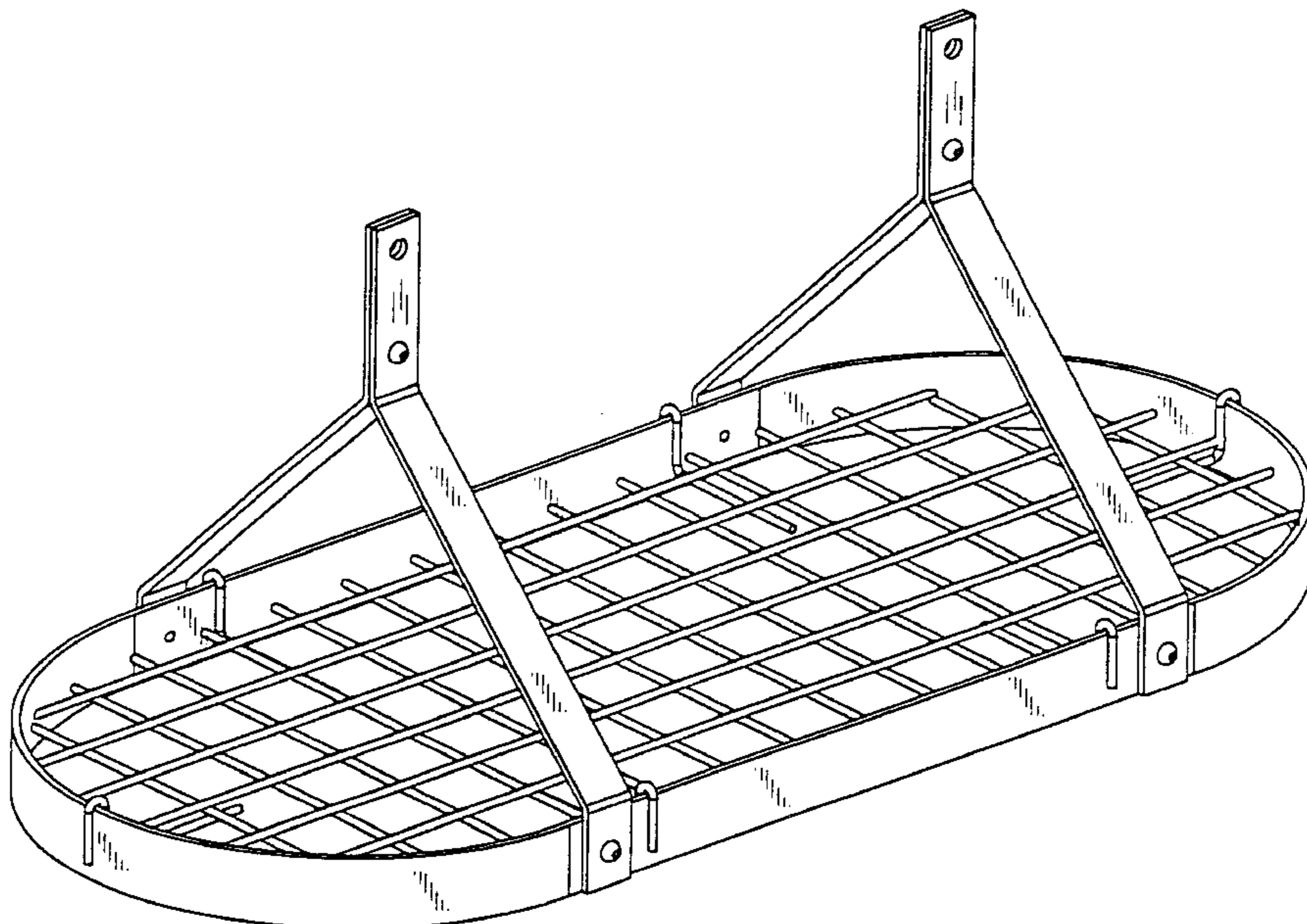
FIG. 7 is a side view of the ceiling rack of FIG. 6 looking from the right side of FIG. 6, it being understood that the side view from the left side is a mirror image of the view shown in FIG. 6.

FIG. 8 is a top view of the ceiling rack of FIG. 6.

FIG. 9 is a front view of the ceiling rack of FIG. 6, it being understood that the rearview is the same as the front view except that the fastener heads visibly shown in the front view are typically not visible in the rearview; and,

FIG. 10 illustrates a bottom view of the ceiling rack of FIG. 6.

1 Claim, 4 Drawing Sheets



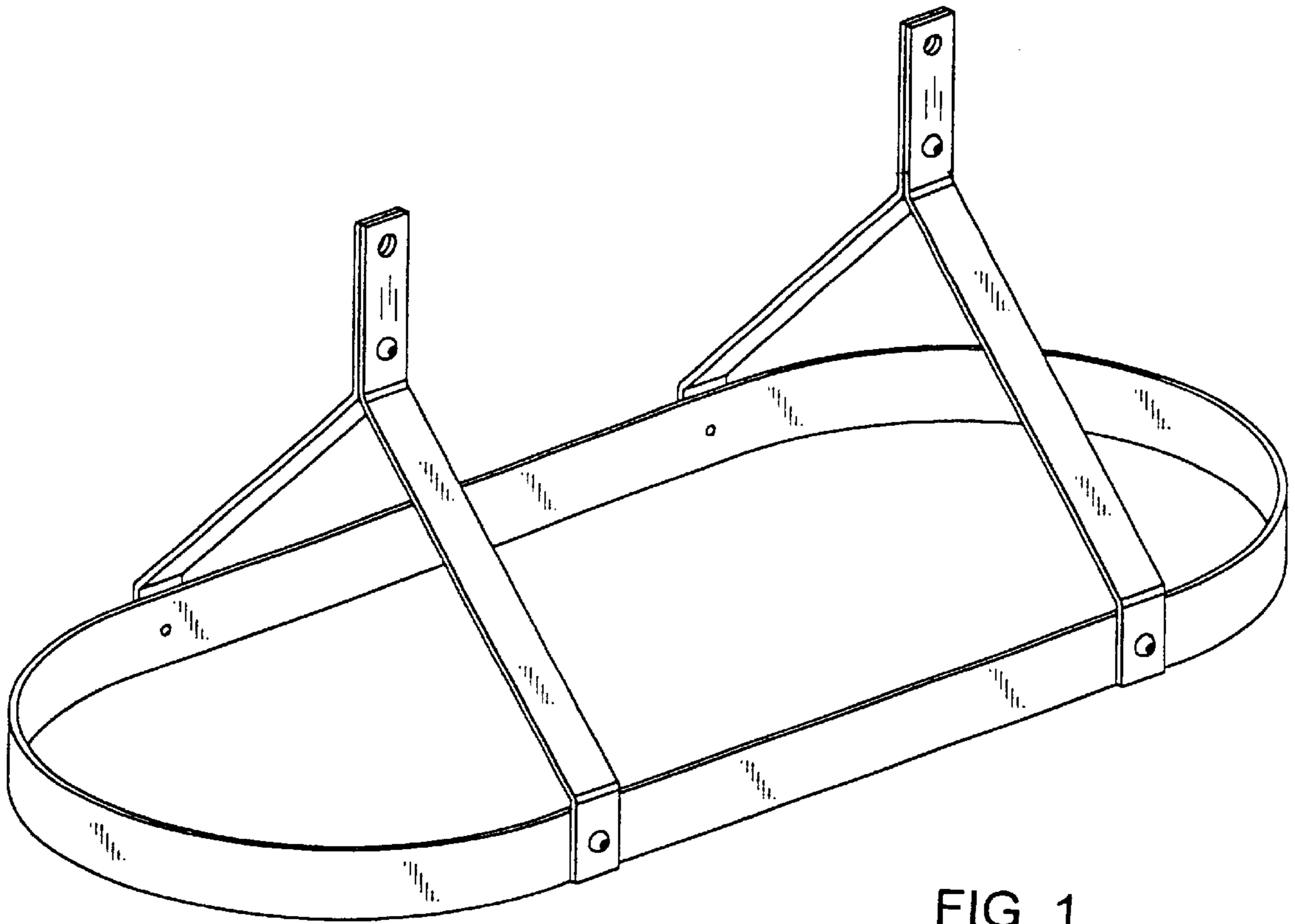


FIG. 1

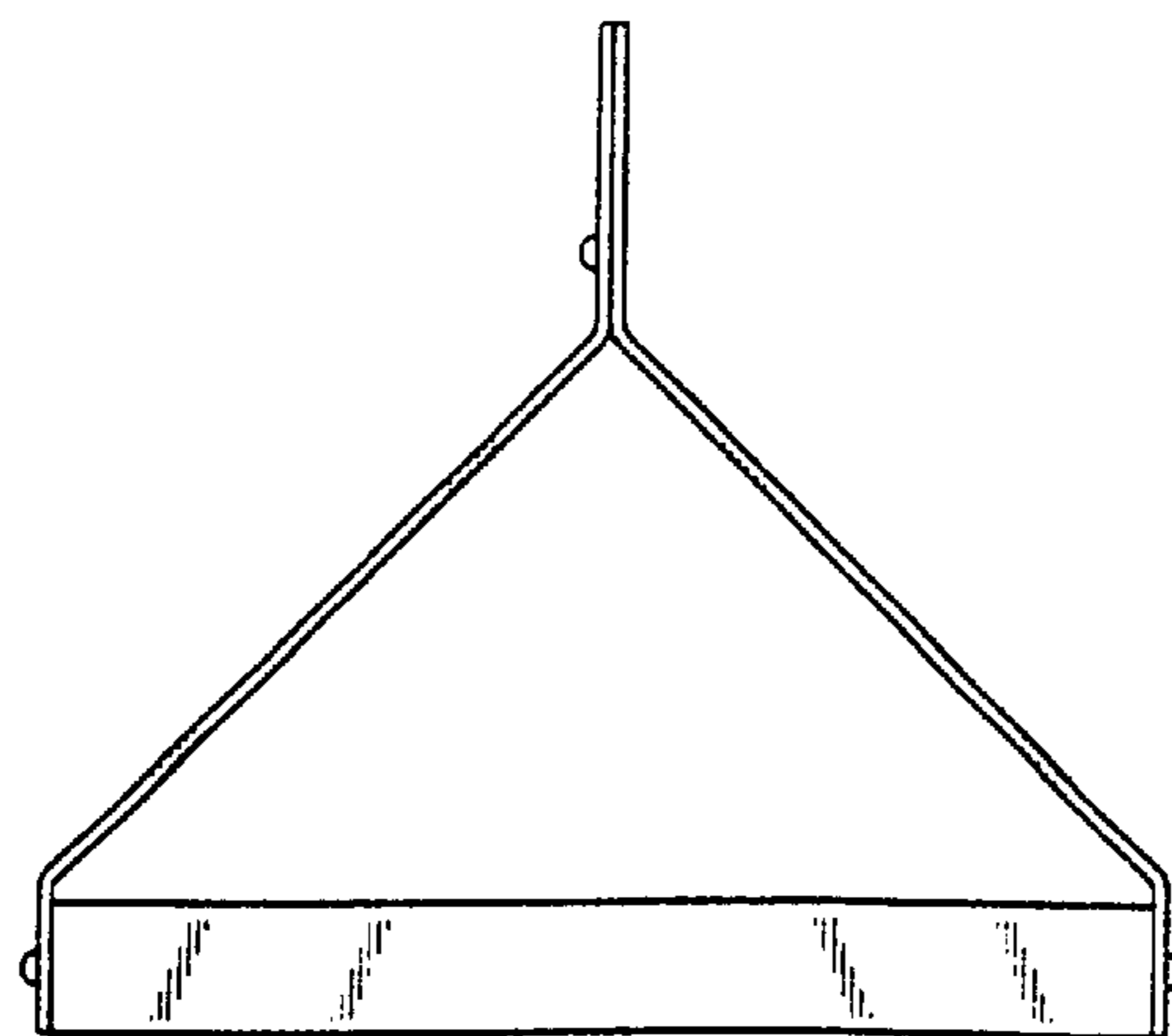


FIG. 2

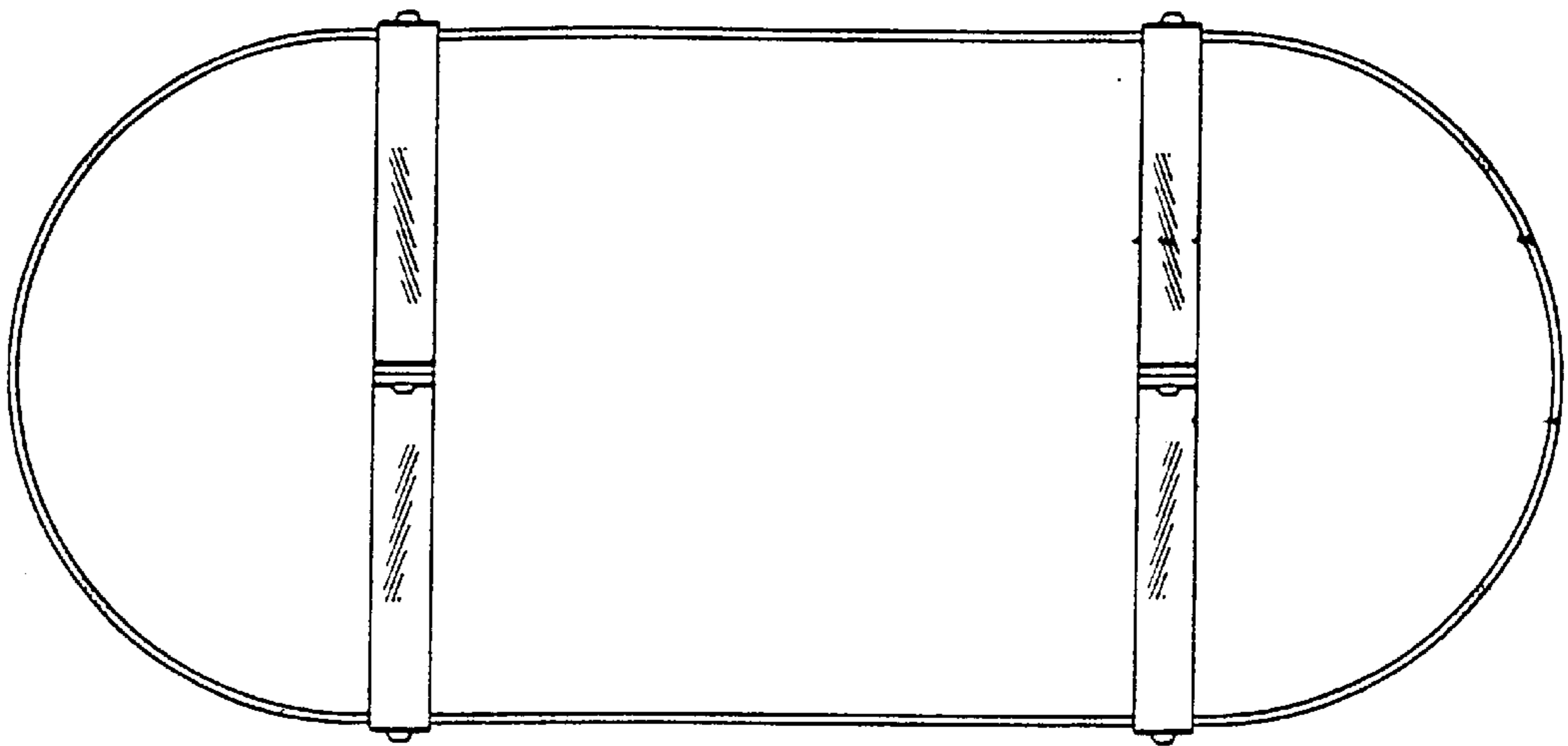


FIG. 3

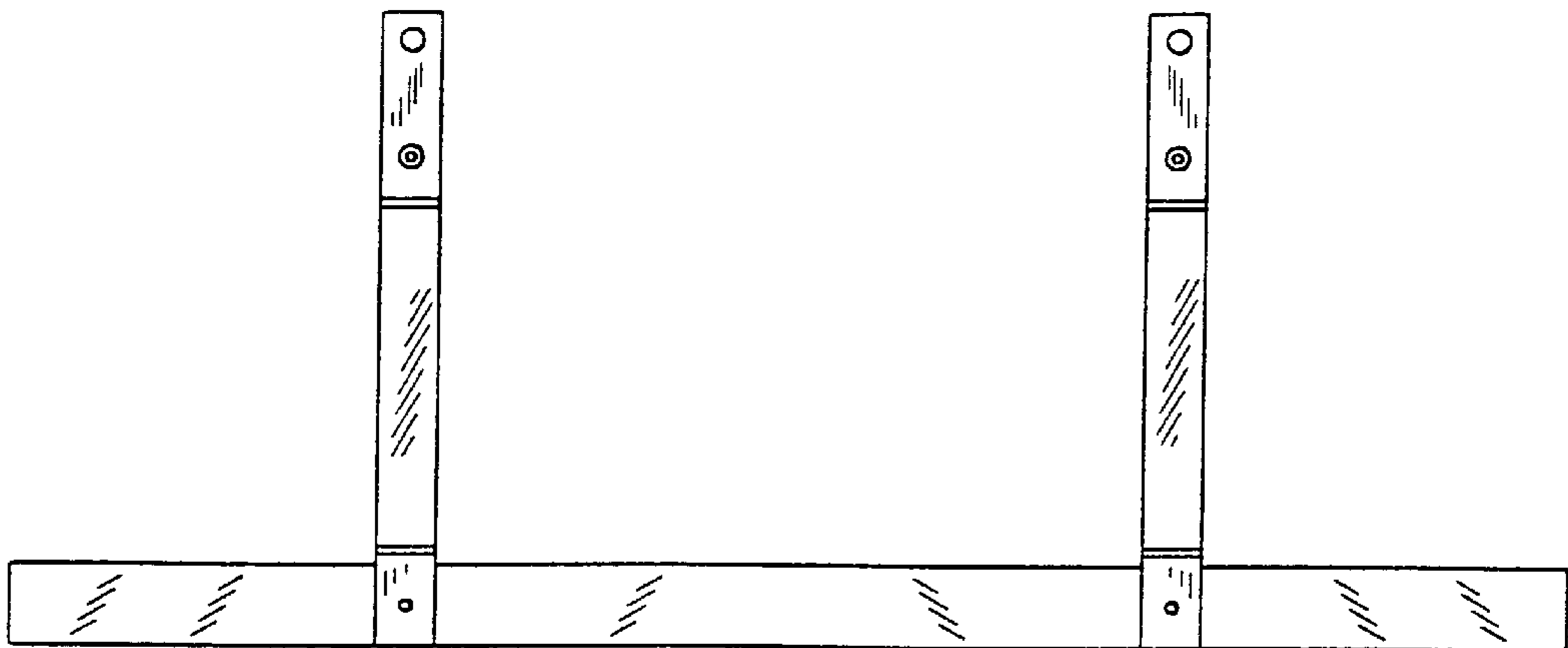


FIG. 4

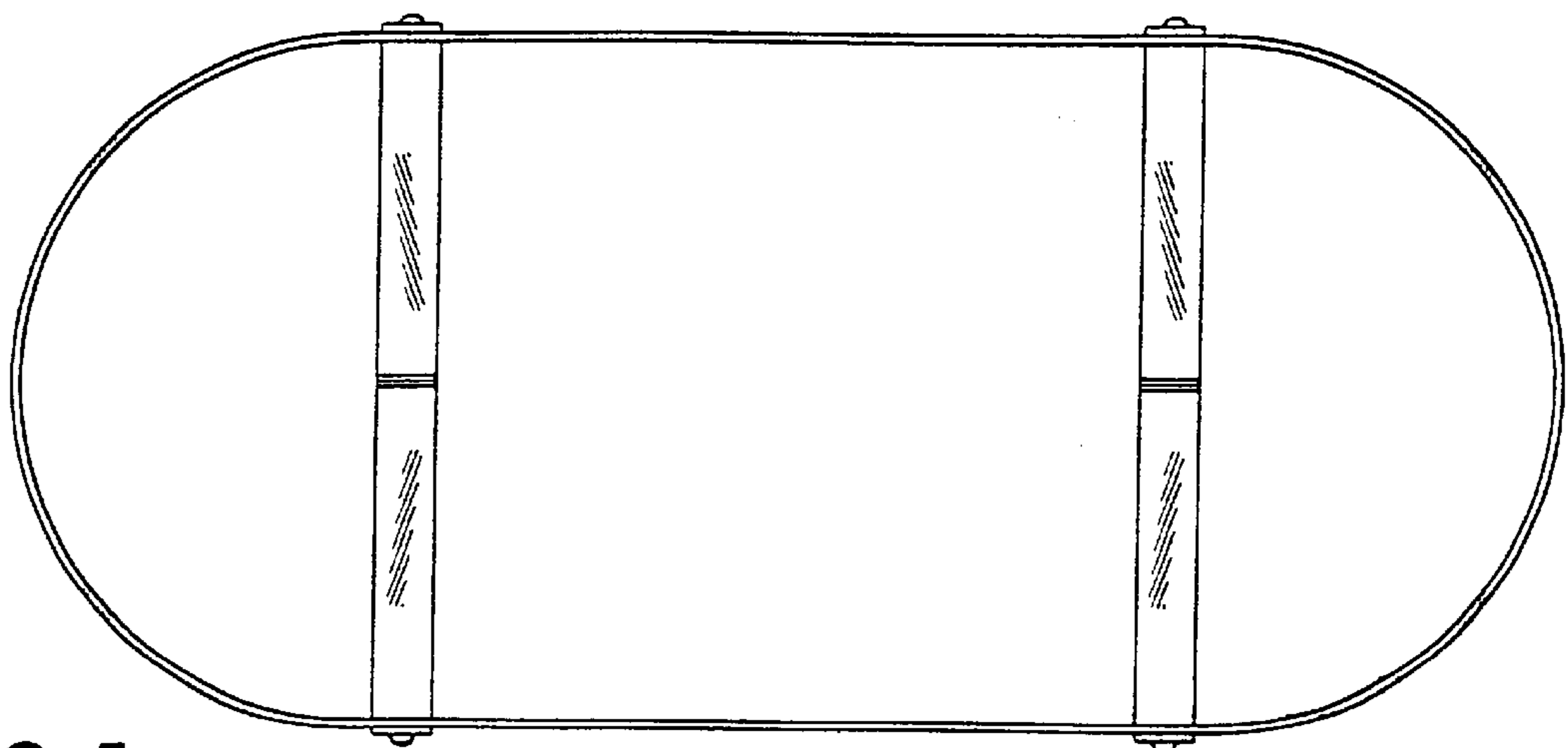


FIG. 5

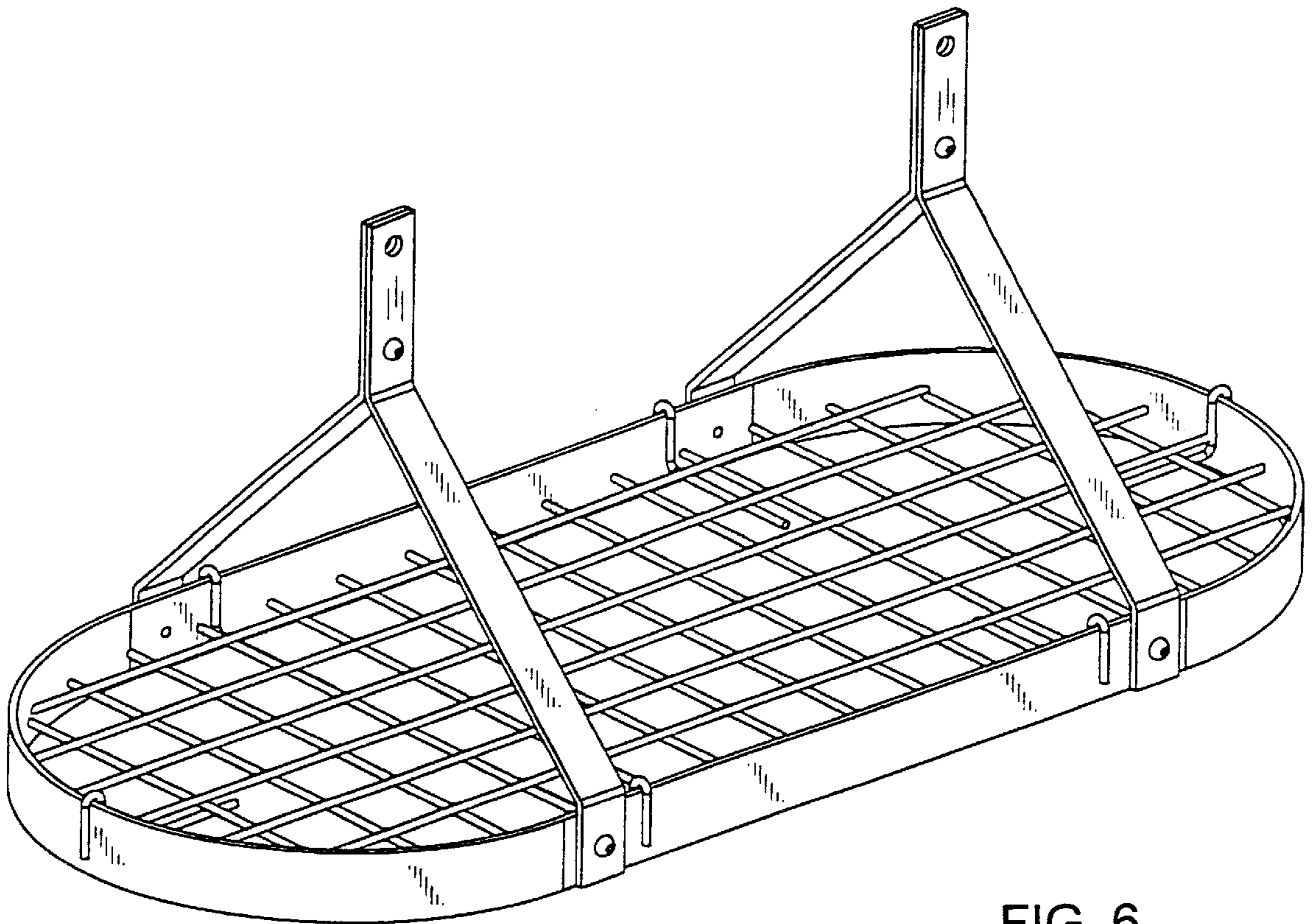


FIG. 6

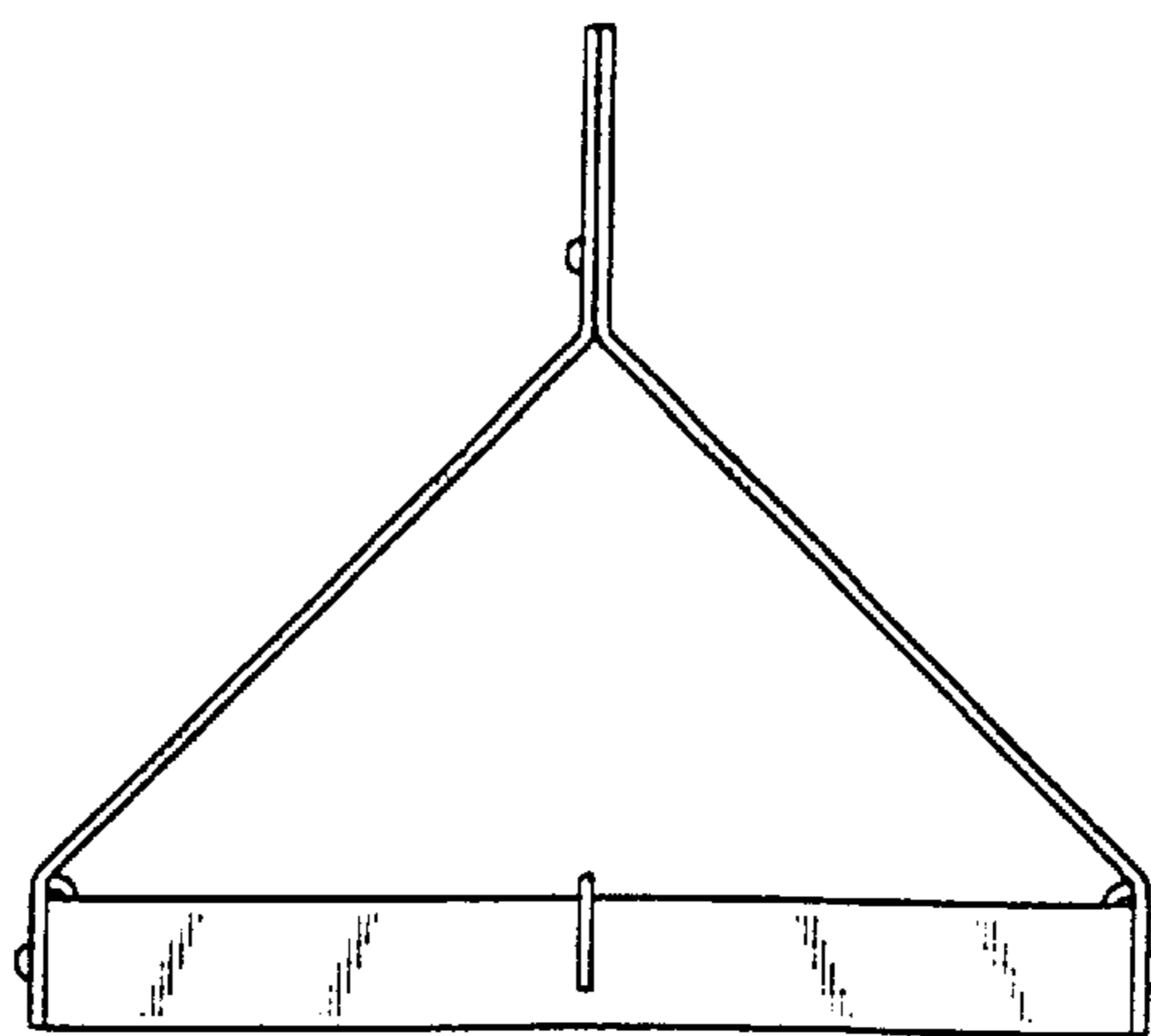


FIG. 7

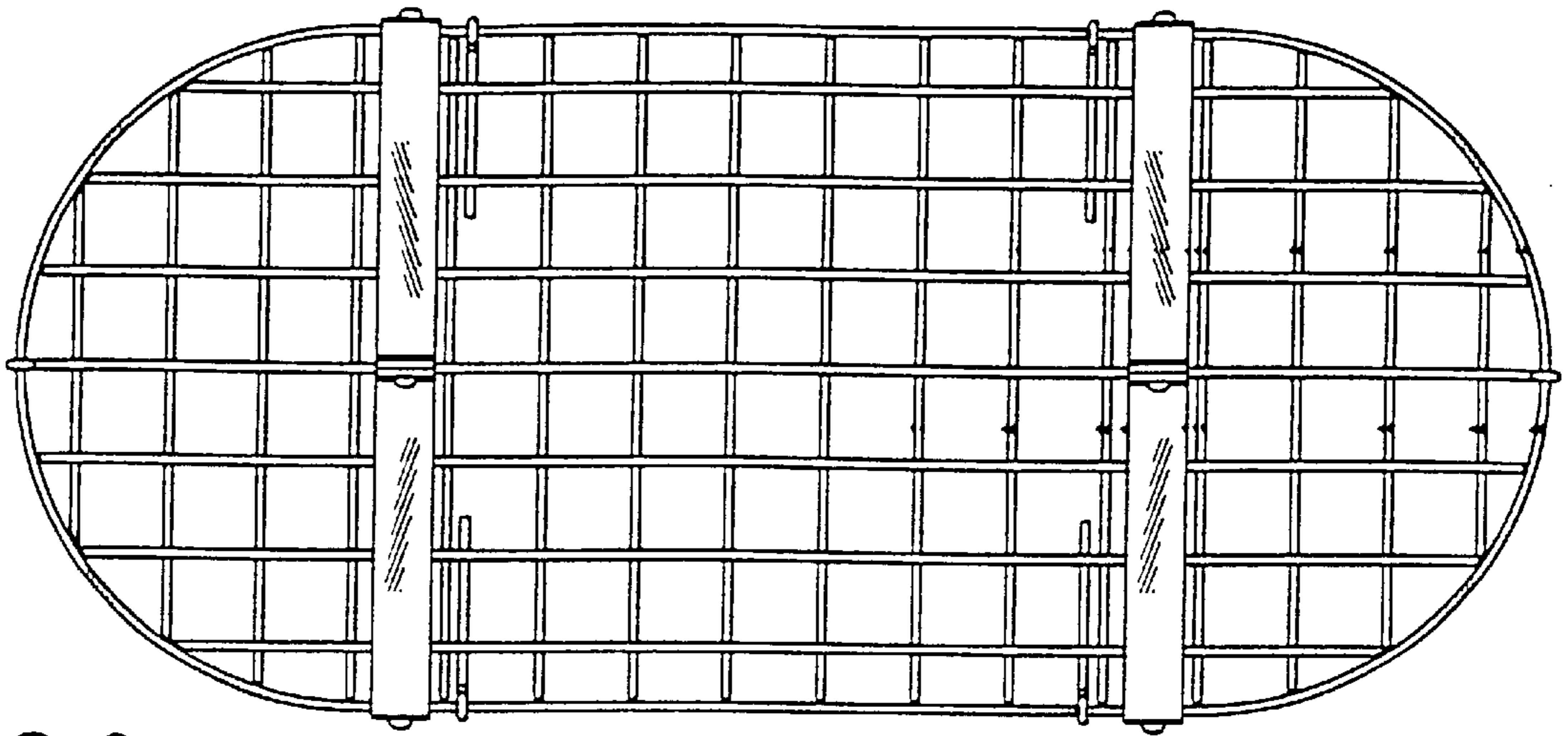


FIG. 8

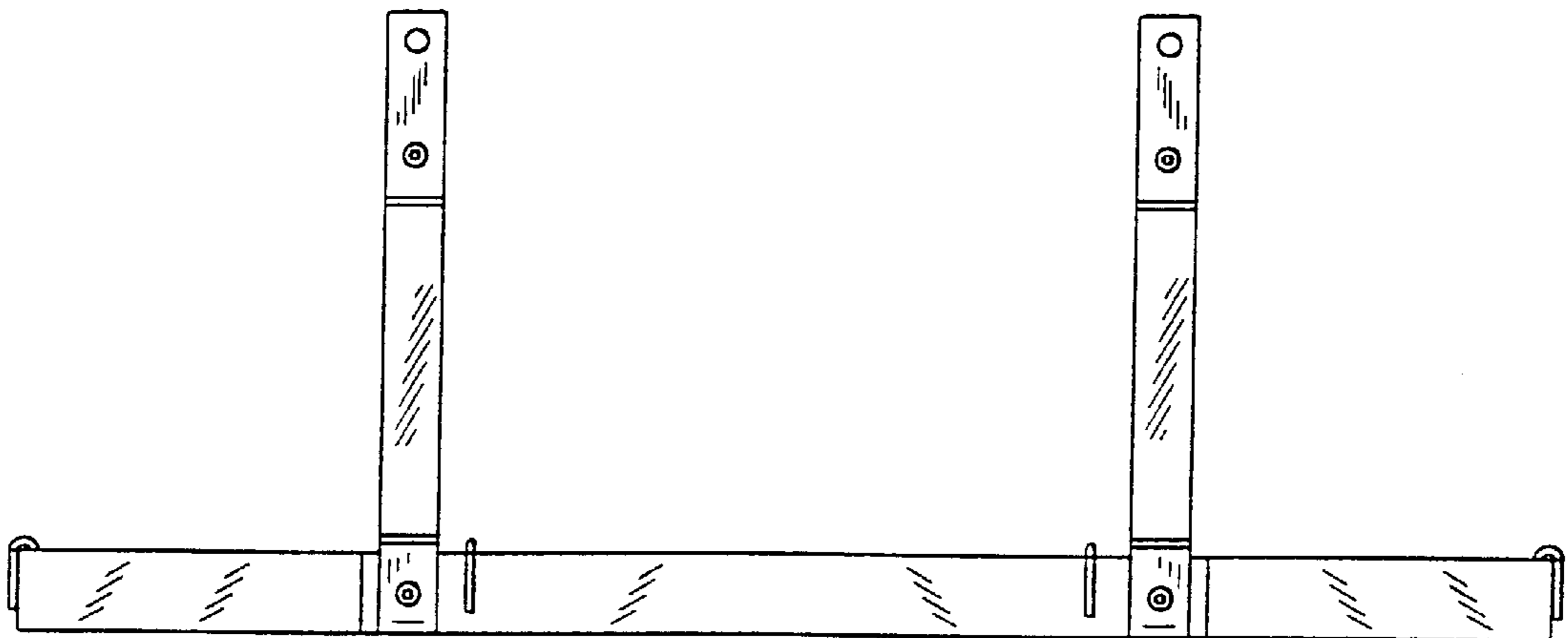


FIG. 9

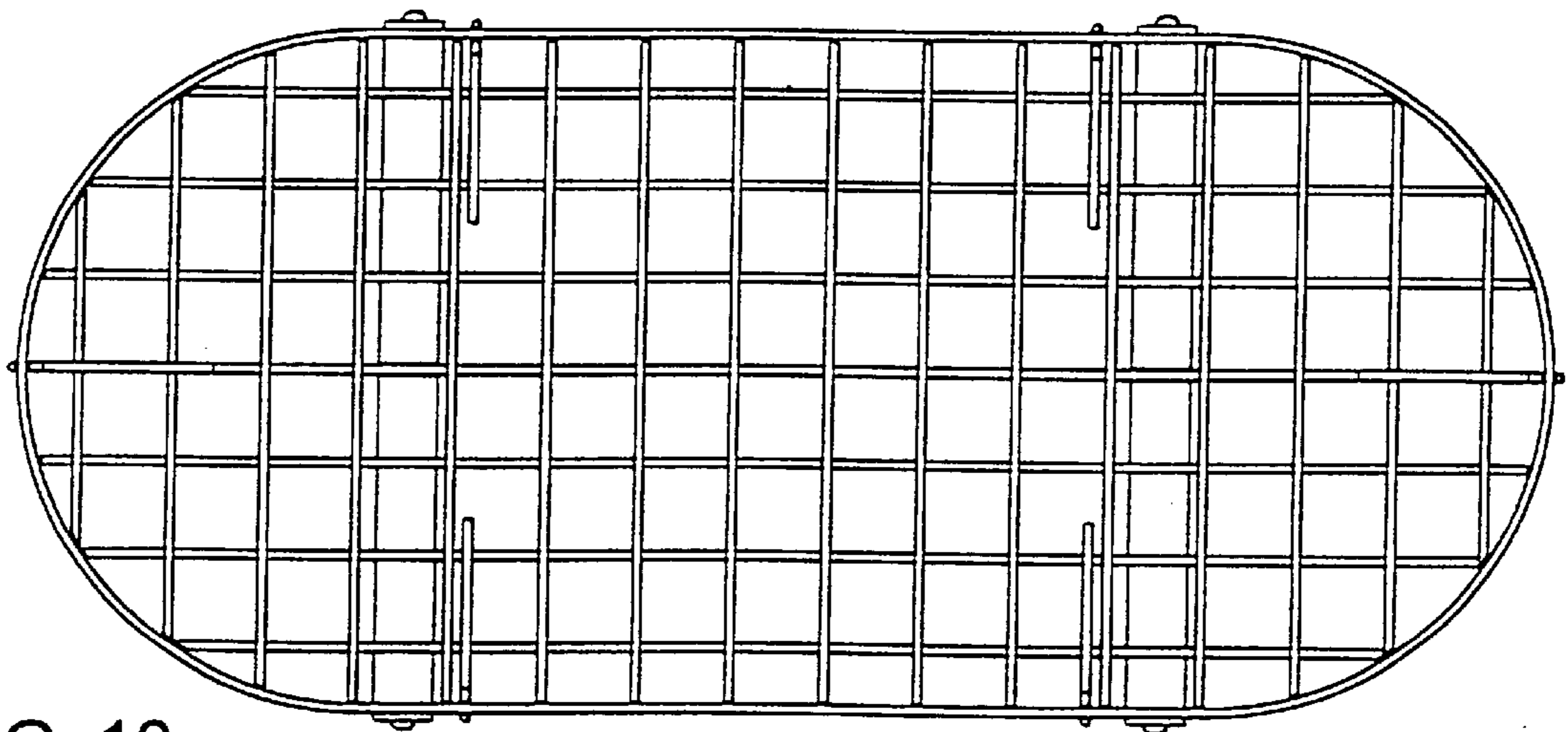


FIG. 10