



US00D455915S

(12) **United States Design Patent**
Noble

(10) **Patent No.:** **US D455,915 S**

(45) **Date of Patent:** **** Apr. 23, 2002**

(54) **DISPLAY FOR A RIFLE**

6,129,252 A * 10/2000 Jackson et al. 211/64 X
6,142,313 A * 11/2000 Young 211/64 X

(76) Inventor: **Richard A. Noble**, 5214 Daytona Dr.,
Garland, Dallas County, TX (US) 75043

* cited by examiner

(**) Term: **14 Years**

Primary Examiner—Cathron C. Brooks
(74) *Attorney, Agent, or Firm*—Thompson & Gustavson,
L.L.P.

(21) Appl. No.: **29/133,331**

(22) Filed: **Nov. 28, 2000**

(57) **CLAIM**

(51) **LOC (7) Cl.** **06-04**

The ornamental design for a display for a rifle, as shown and described.

(52) **U.S. Cl.** **D6/466**

(58) **Field of Search** D6/432, 436, 449,
D6/466, 400; 312/204, 224; 211/13.1, 85.7,
64

DESCRIPTION

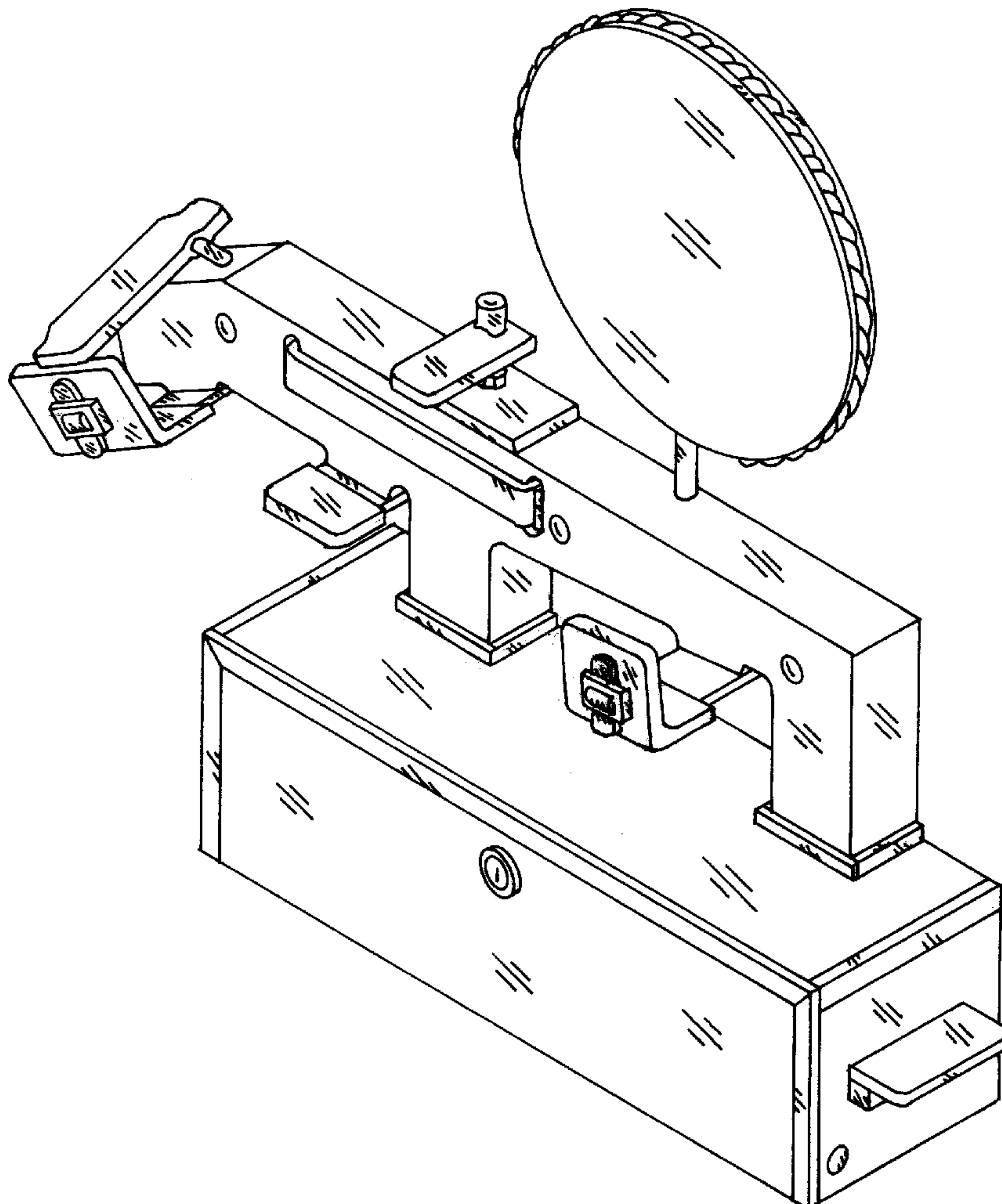
(56) **References Cited**

U.S. PATENT DOCUMENTS

D173,773 S * 12/1954 Westernacher D6/466
D288,154 S * 2/1987 Hobgood D6/466
4,998,944 A * 3/1991 Lund 211/64 X
D413,365 S * 8/1999 Kageyama et al. D6/466 X

FIG. 1 is a plan view of a display embodying my design;
FIG. 2 is a left side elevation view thereof;
FIG. 3 is a front elevation view thereof;
FIG. 4 is a right elevation view thereof;
FIG. 5 is a perspective view of the display; and,
FIG. 6 is a front elevation view of the display showing a rifle
displayed thereon in phantom line, the rifle not being part of
the claimed design.

1 Claim, 6 Drawing Sheets



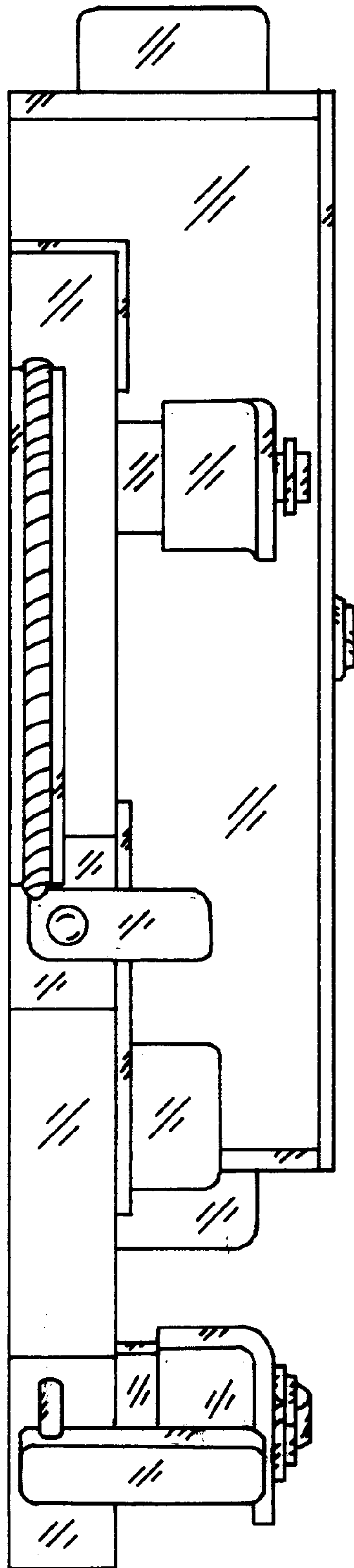


FIG. 1

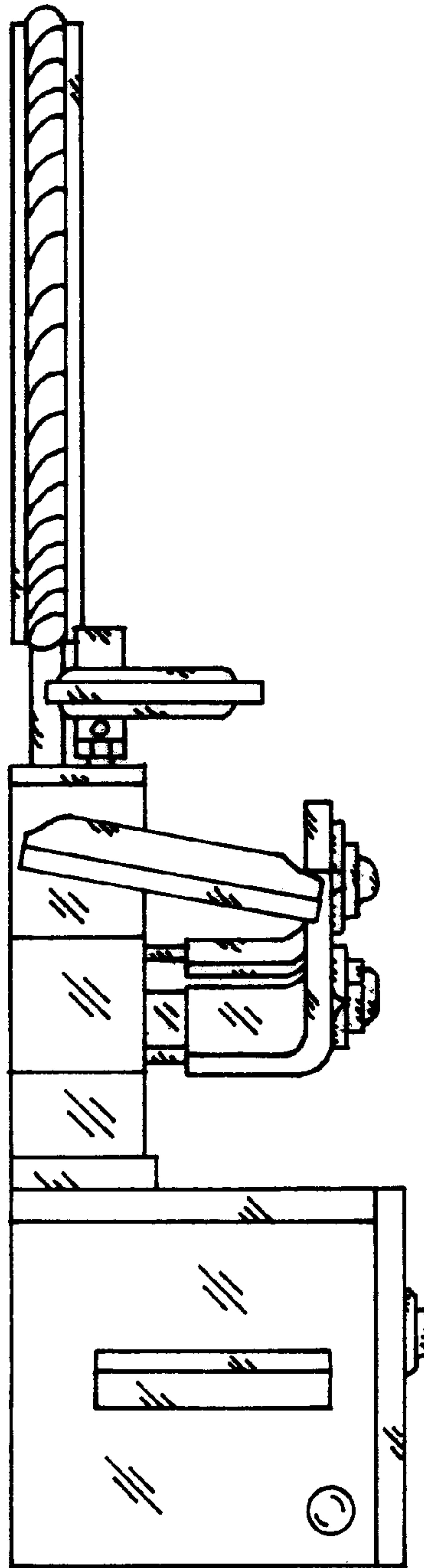


FIG. 2

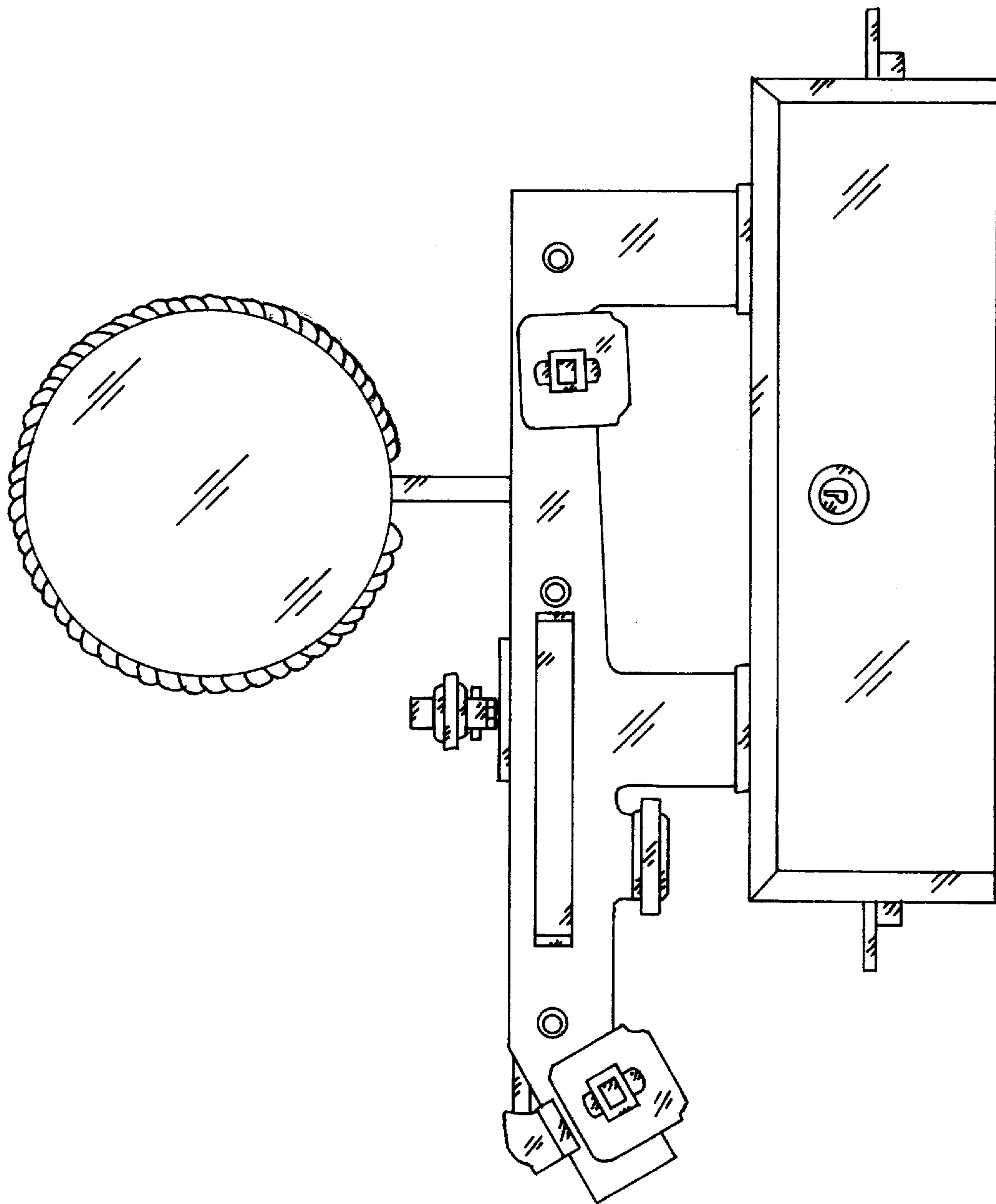


FIG. 3

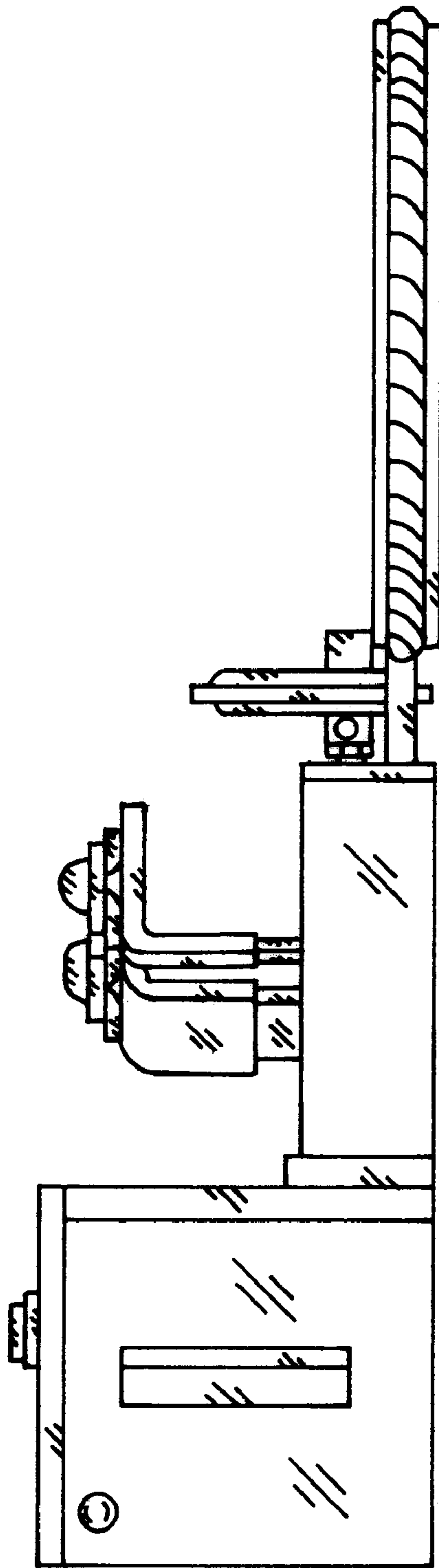


FIG. 4

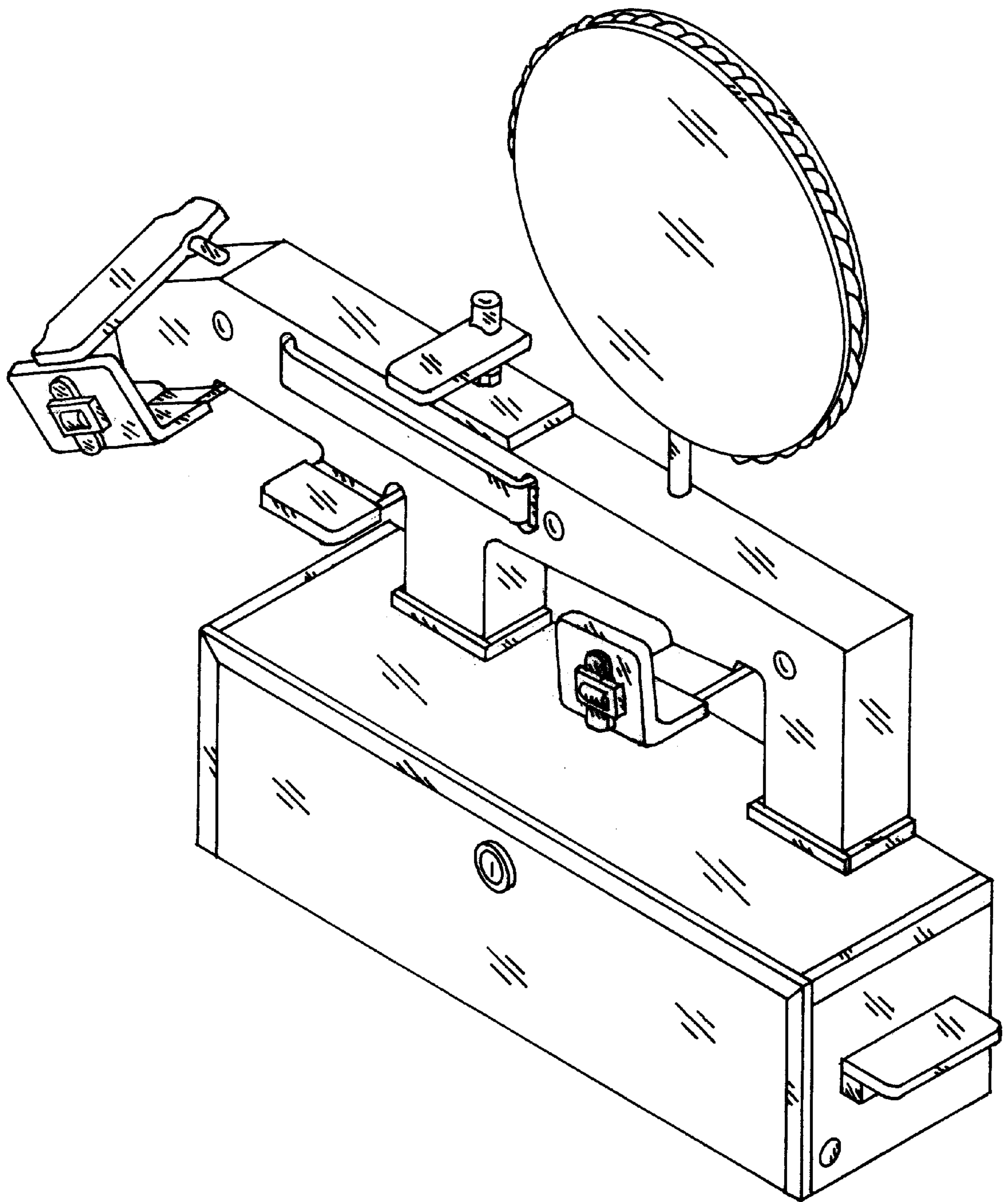


FIG. 5

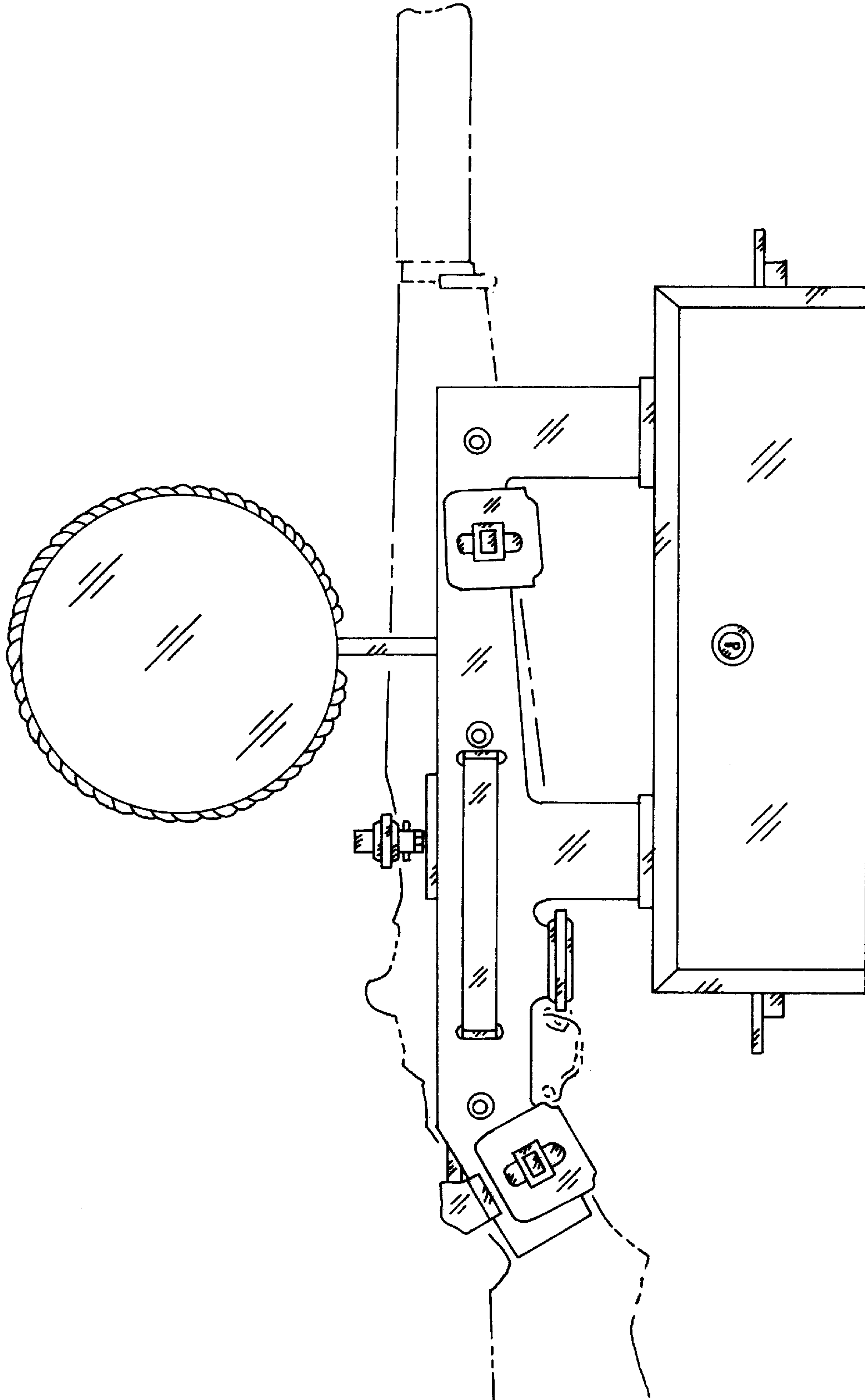


FIG. 6