



US00D455914S

(12) **United States Design Patent**  
**Campello et al.**

(10) **Patent No.:** **US D455,914 S**

(45) **Date of Patent:** **\*\* Apr. 23, 2002**

(54) **POINT OF SALE DISPLAY RACK**

(76) Inventors: **Ugo Campello; Vieri Tomaselli**, both  
of 12186 SW. 128th St., Miami, FL  
(US) 33186

(\*\*) Term: **14 Years**

(21) Appl. No.: **29/129,309**

(22) Filed: **Sep. 12, 2000**

(51) **LOC (7) Cl.** ..... **06-99**

(52) **U.S. Cl.** ..... **D6/449**

(58) **Field of Search** ..... D6/449, 459, 460,  
D6/461, 468, 473-476; 211/40, 57.1, 59.1,  
94, 188, 189; 248/121, 220.21, 243

(56) **References Cited**

**U.S. PATENT DOCUMENTS**

D239,232 S \* 3/1976 Cockcroft ..... D6/449 X  
4,460,097 A \* 7/1984 Darnell, II et al. .... 211/189

5,255,803 A \* 10/1993 Pavone et al. .... 211/189

5,595,308 A \* 1/1997 King et al. .... 211/40

D397,561 S \* 9/1998 DePottey et al. .... D6/449 X

D397,562 S \* 9/1998 DePottey et al. .... D6/449 X

\* cited by examiner

*Primary Examiner*—Nanda Bondade

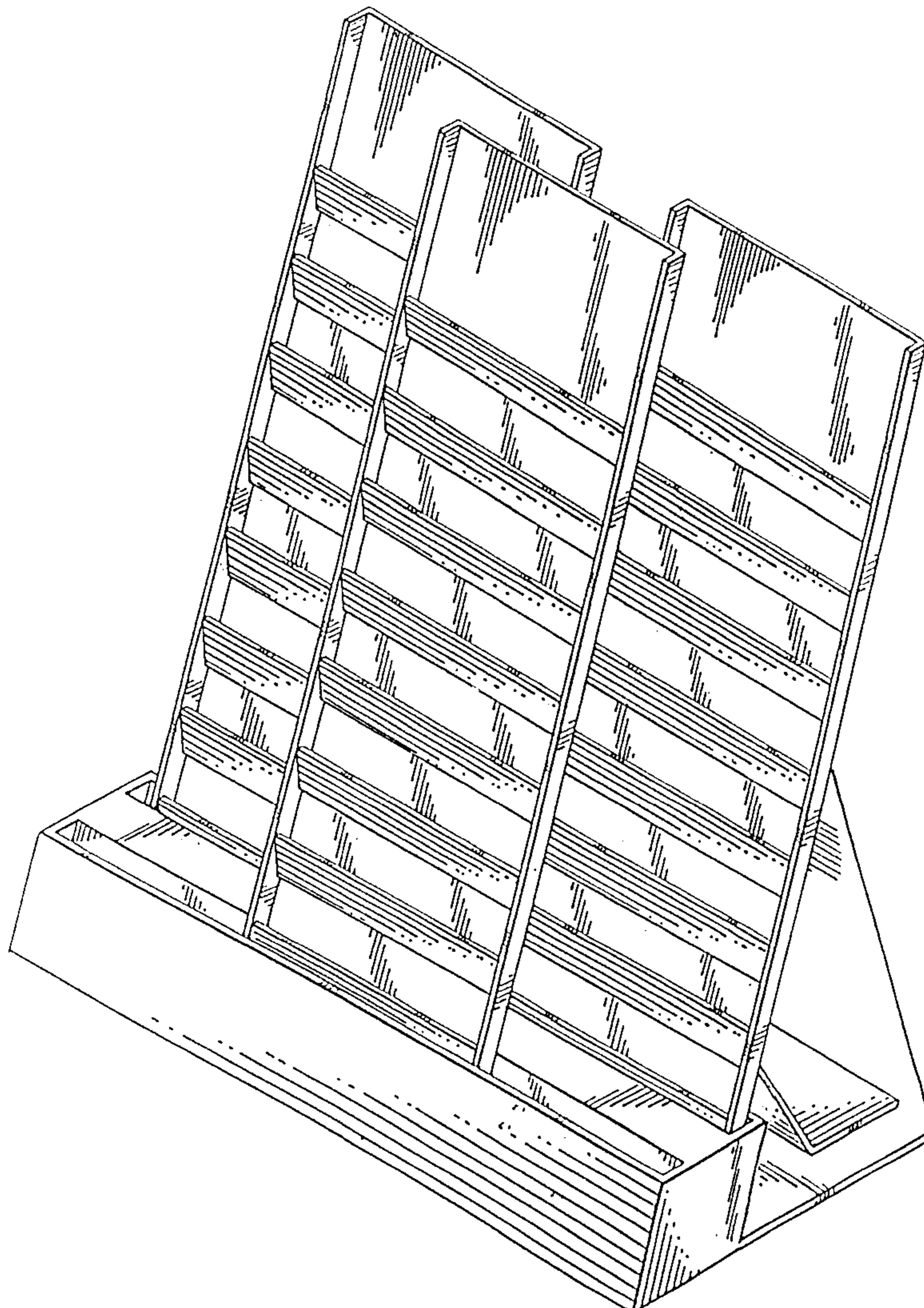
(57) **CLAIM**

The ornamental design for a point of sale display rack, as shown and described.

**DESCRIPTION**

FIG. 1 is a top plan view of our design;  
FIG. 2 is a front elevational view of our design;  
FIG. 3 is a bottom plan view of our design;  
FIG. 4 is a right side elevational view of our design;  
FIG. 5 is a rear elevational view of our design;  
FIG. 6 is a left side elevational view of our design; and,  
FIG. 7 is an enlarged front perspective view of our design.

**1 Claim, 3 Drawing Sheets**



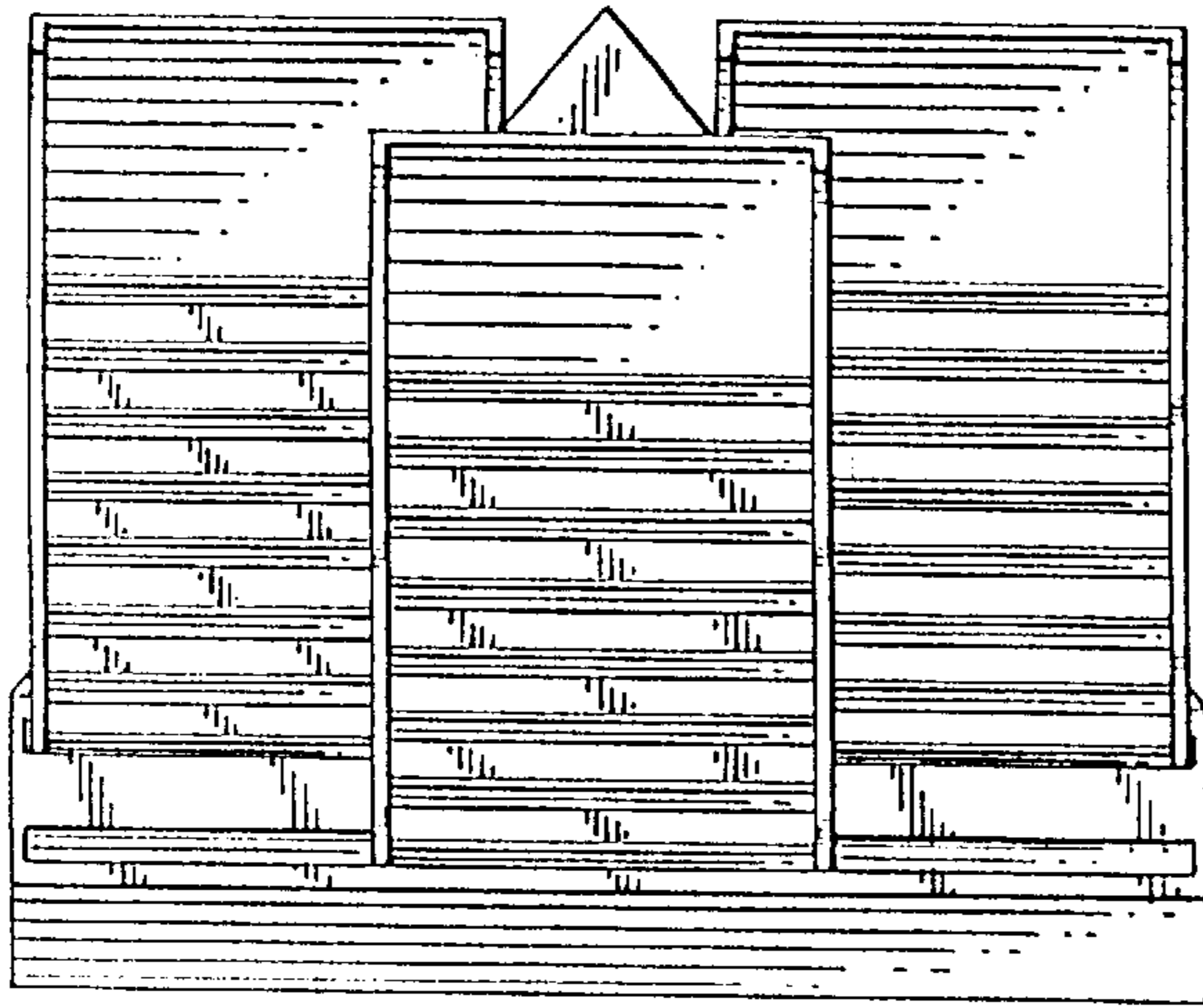


FIG. 1.

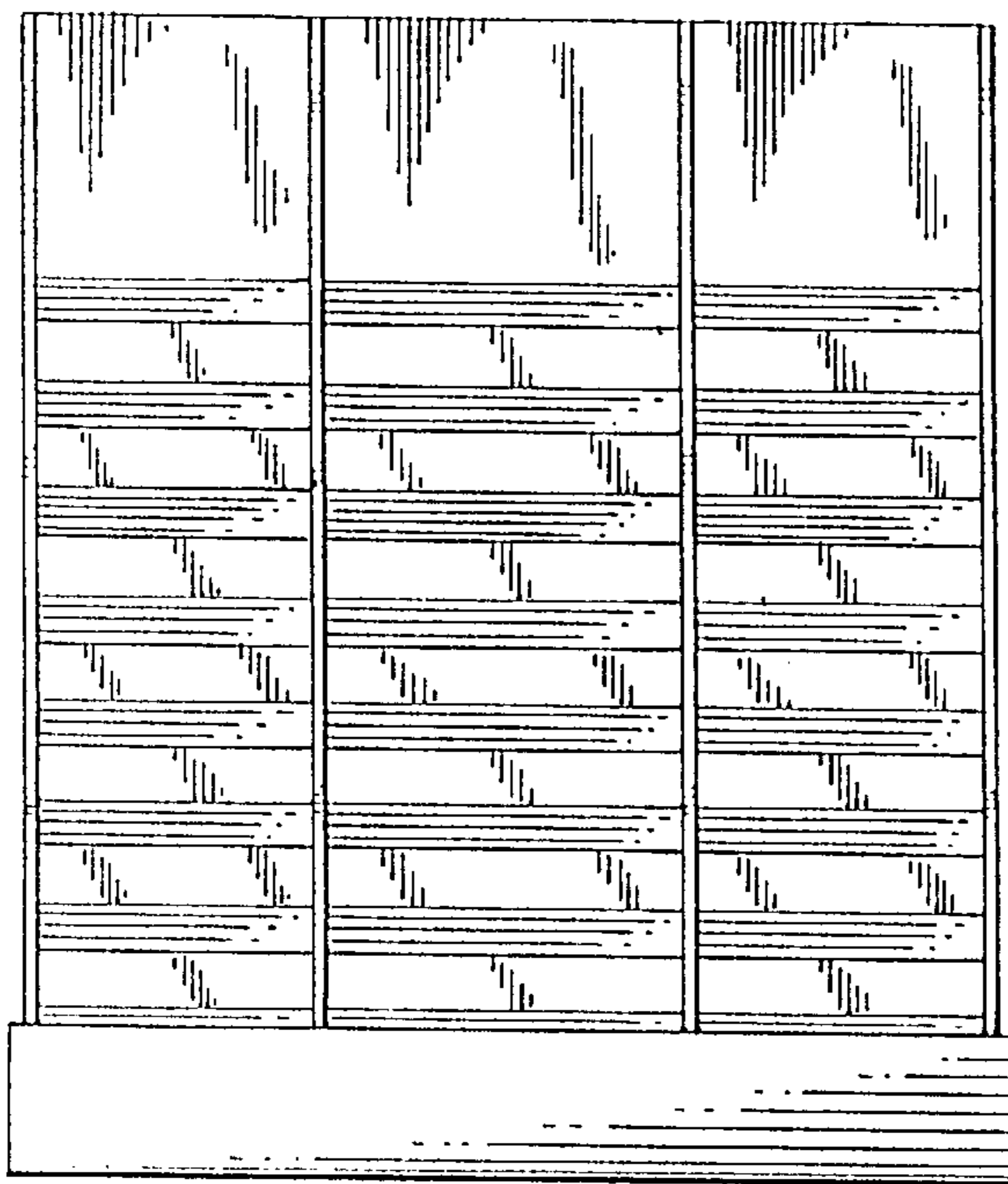


FIG. 2.

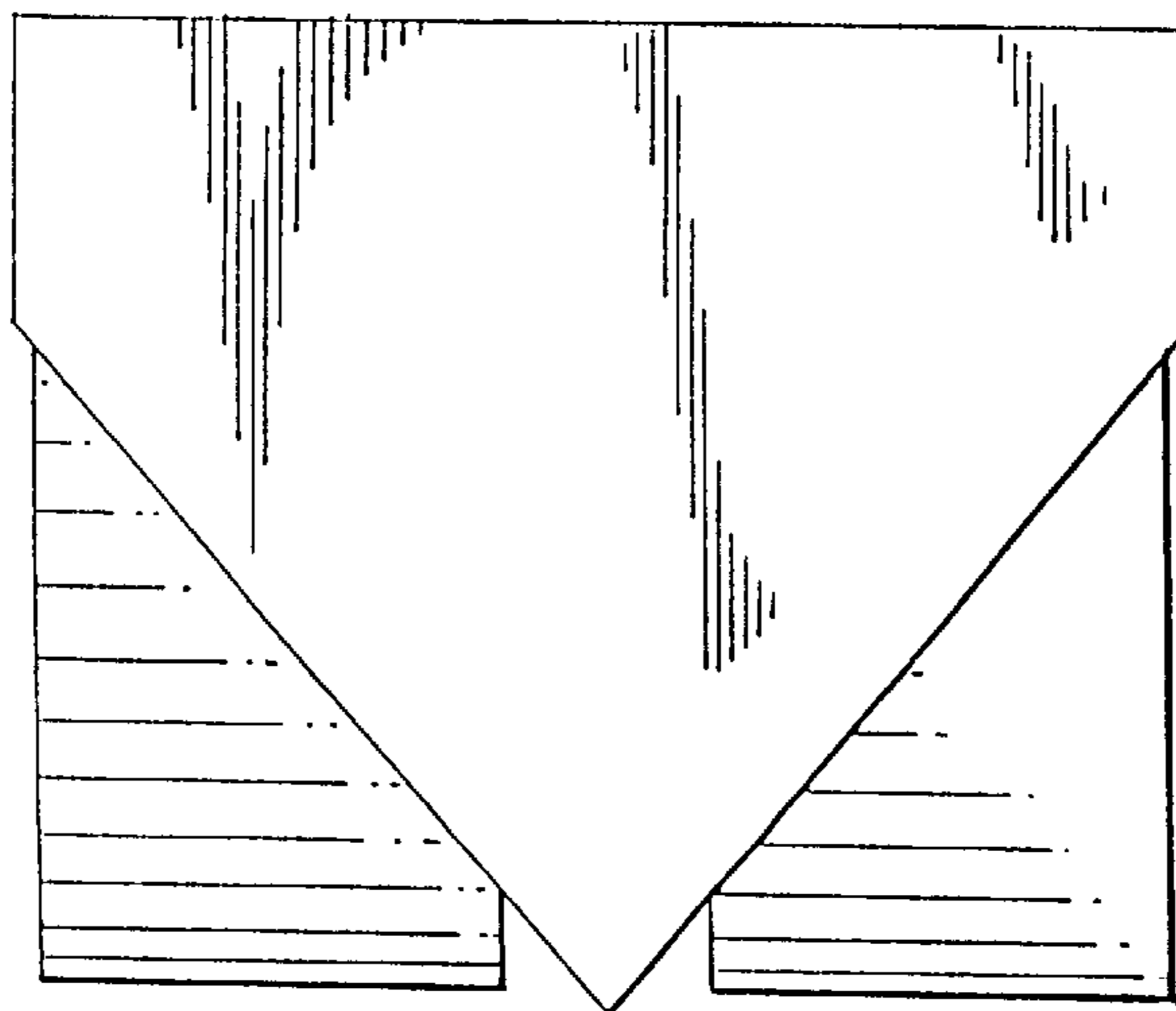


FIG. 3.

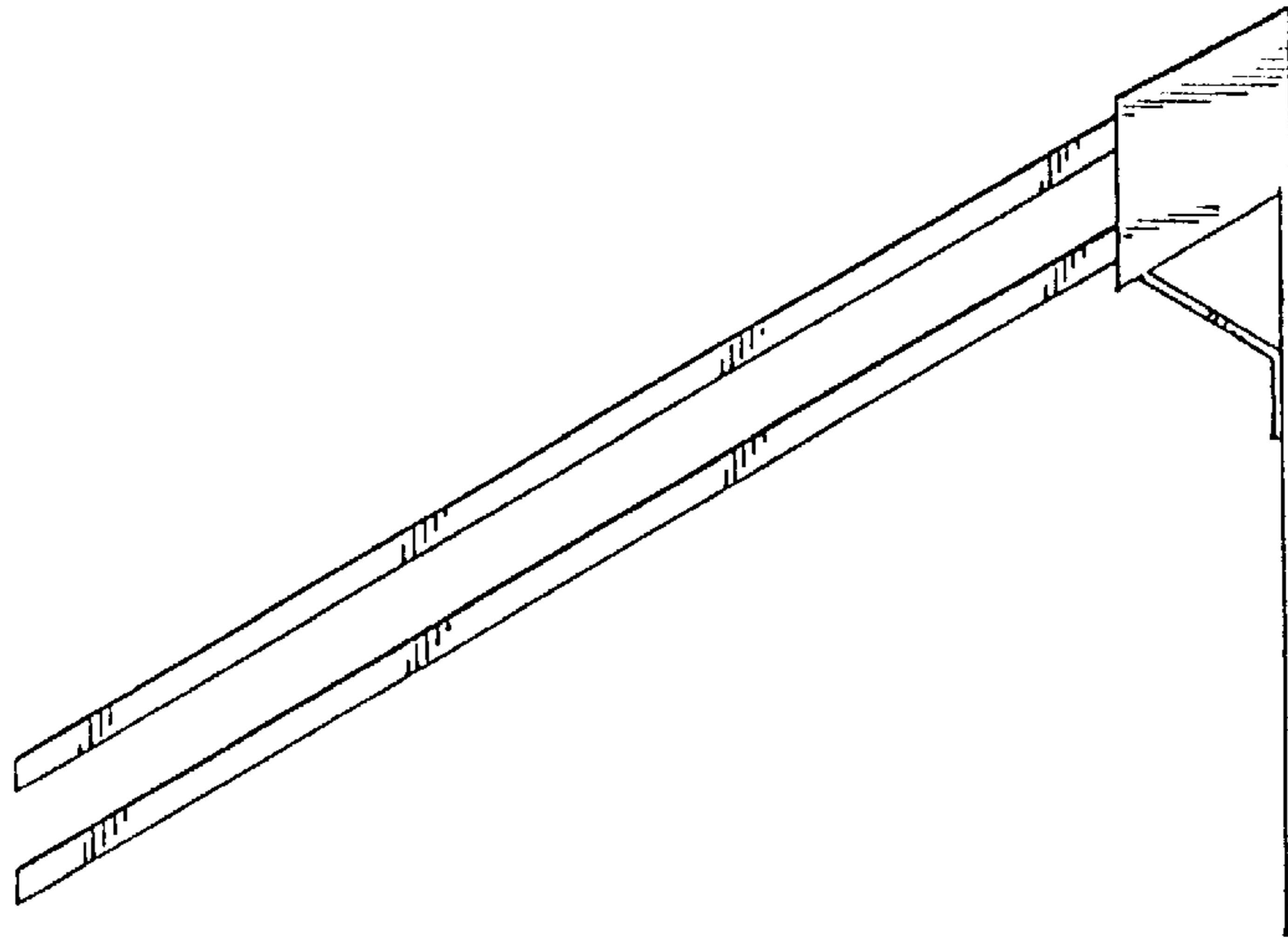


FIG. 6

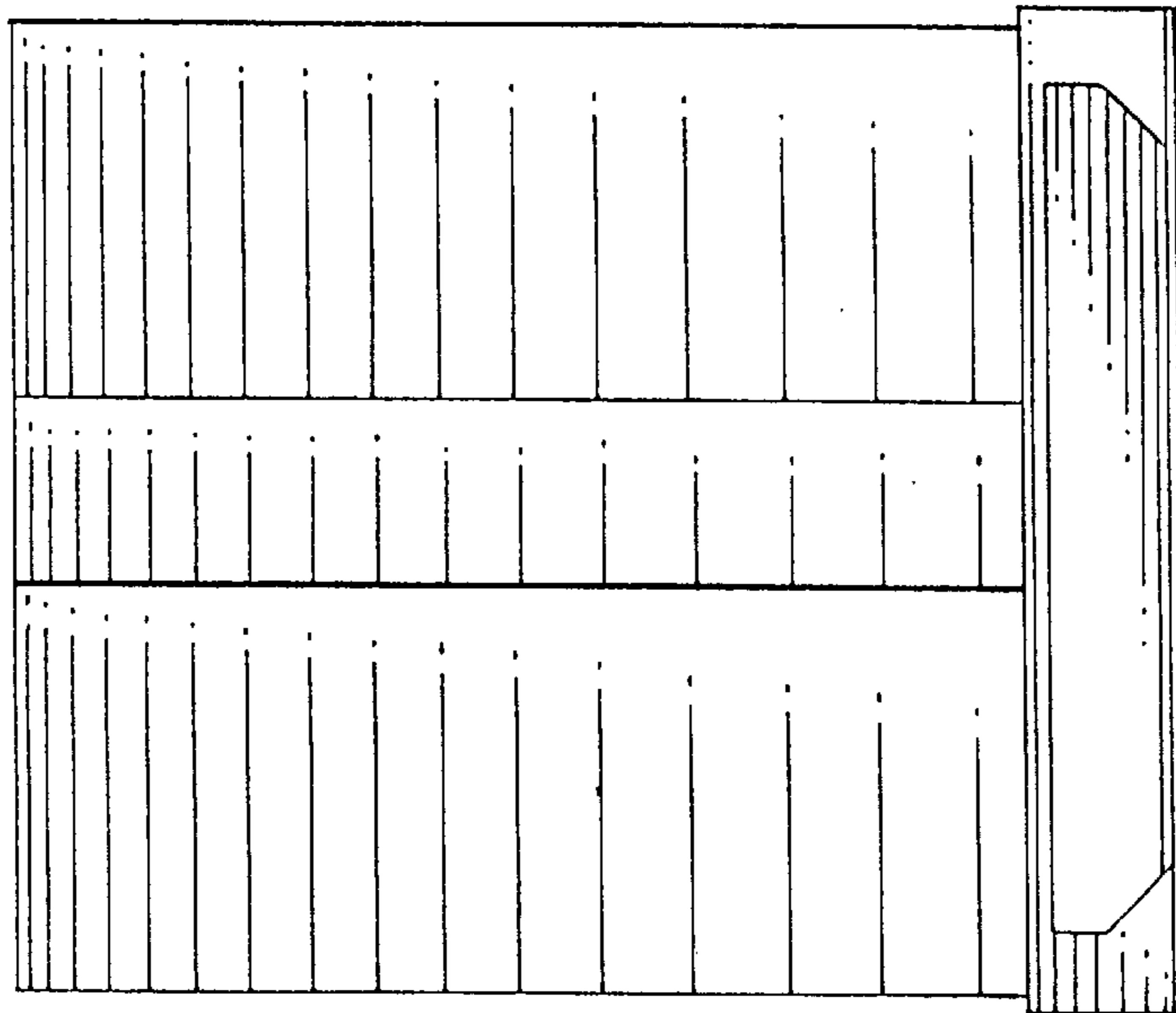


FIG. 5

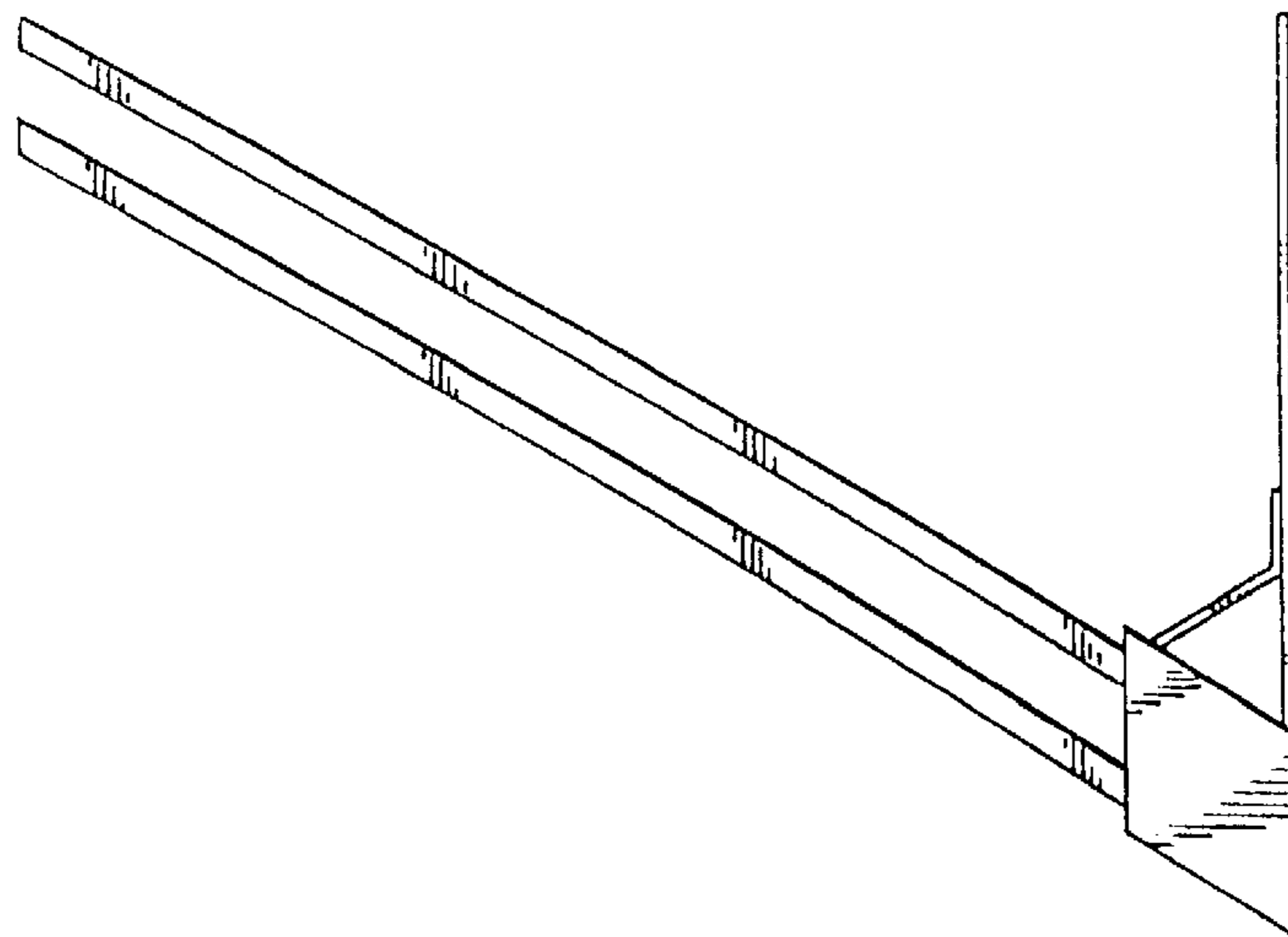


FIG. 4

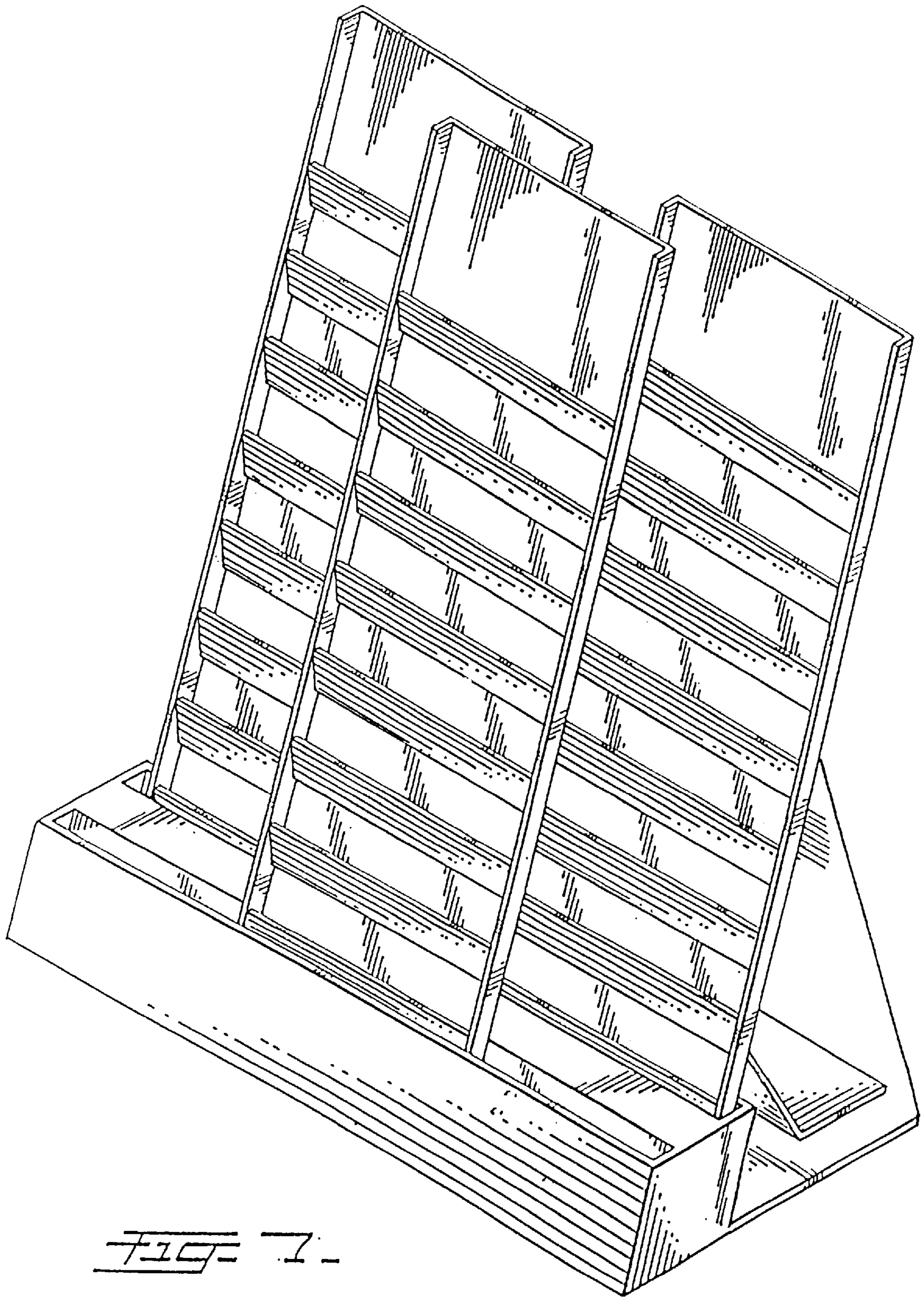


FIG. 1.