



US00D455909S

(12) **United States Design Patent**
Wistehuff, Sr.

(10) **Patent No.:** **US D455,909 S**

(45) **Date of Patent:** **** Apr. 23, 2002**

(54) **HEADBOARD AND FOOTBOARD SET**

(76) Inventor: **Daniel David Wistehuff, Sr.**, 2707 S.
Turner Grove Dr., Greensboro, NC (US)
27455

(**) Term: **14 Years**

(21) Appl. No.: **29/139,420**

(22) Filed: **Mar. 30, 2001**

(51) **LOC (7) Cl.** **06-01**

(52) **U.S. Cl.** **D6/393**

(58) **Field of Search** D6/382-395, 505-508;
5/53.1, 279.1, 280, 281, 907

(56) **References Cited**

U.S. PATENT DOCUMENTS

D106,301 S	*	10/1937	Krick	D6/505
D365,218 S	*	12/1995	Russell	D6/393
D412,795 S	*	8/1999	Bargagli-Stoffi	D6/393
D429,084 S		8/2000	Wistehuff, Sr.	D6/393
D443,998 S	*	6/2001	Leon et al.	D6/393

OTHER PUBLICATIONS

- Photograph of Sleigh Bed, date unknown.
- Sleigh Bed, American Oak Collection brochure, Thomasville Furniture Industries, Inc., p. 5, 1995.
- Sleigh Bed, Mahogany Collection brochure, Thomasville Furniture Industries, Inc., p. 4, 1999.
- The Bonaparte, And So To Bed, London, date unknown.

* cited by examiner

Primary Examiner—Janice E. Seeger
(74) *Attorney, Agent, or Firm*—Womble Carlyle Sandridge & Rice, PLLC

(57) **CLAIM**

The ornamental design for a headboard and footboard set, as shown and described.

DESCRIPTION

FIG. 1 is a left front perspective view of a headboard and footboard set showing my new design;

FIG. 2 is a side elevational view of a headboard and footboard set, the opposite side being a mirror image thereof;

FIG. 3 is a front elevational view of the headboard section thereof;

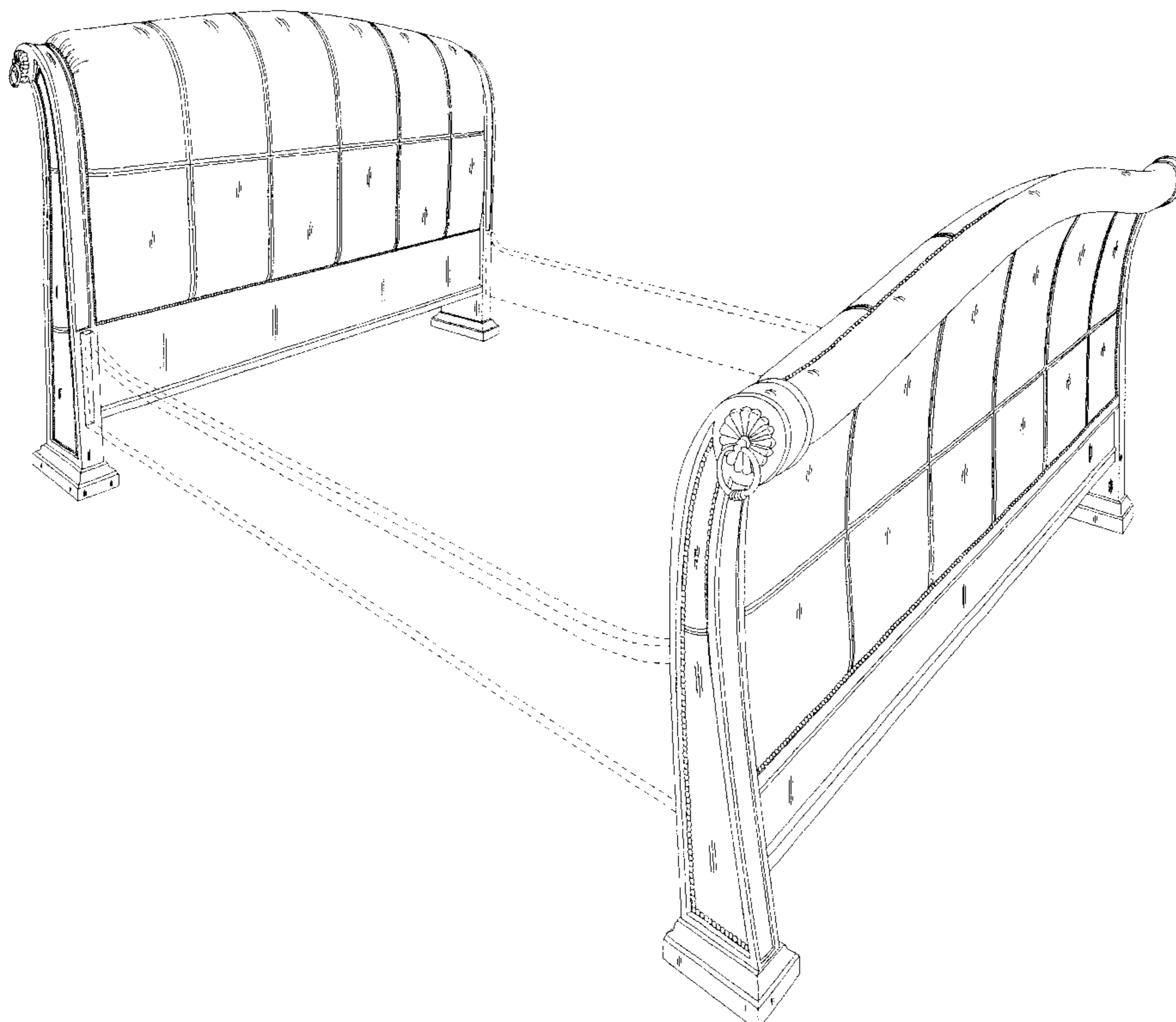
FIG. 4 is a front elevational view of the footboard section thereof;

FIG. 5 is a left rear perspective view of the footboard section thereof; and,

FIG. 6 is a top view of the footboard section thereof.

The rear and top views of the headboard section and the bottom views of the headboard and footboard are not shown and form no part of the claimed design. The dashed lines represent environmental elements only and form no part of the claimed design.

1 Claim, 6 Drawing Sheets



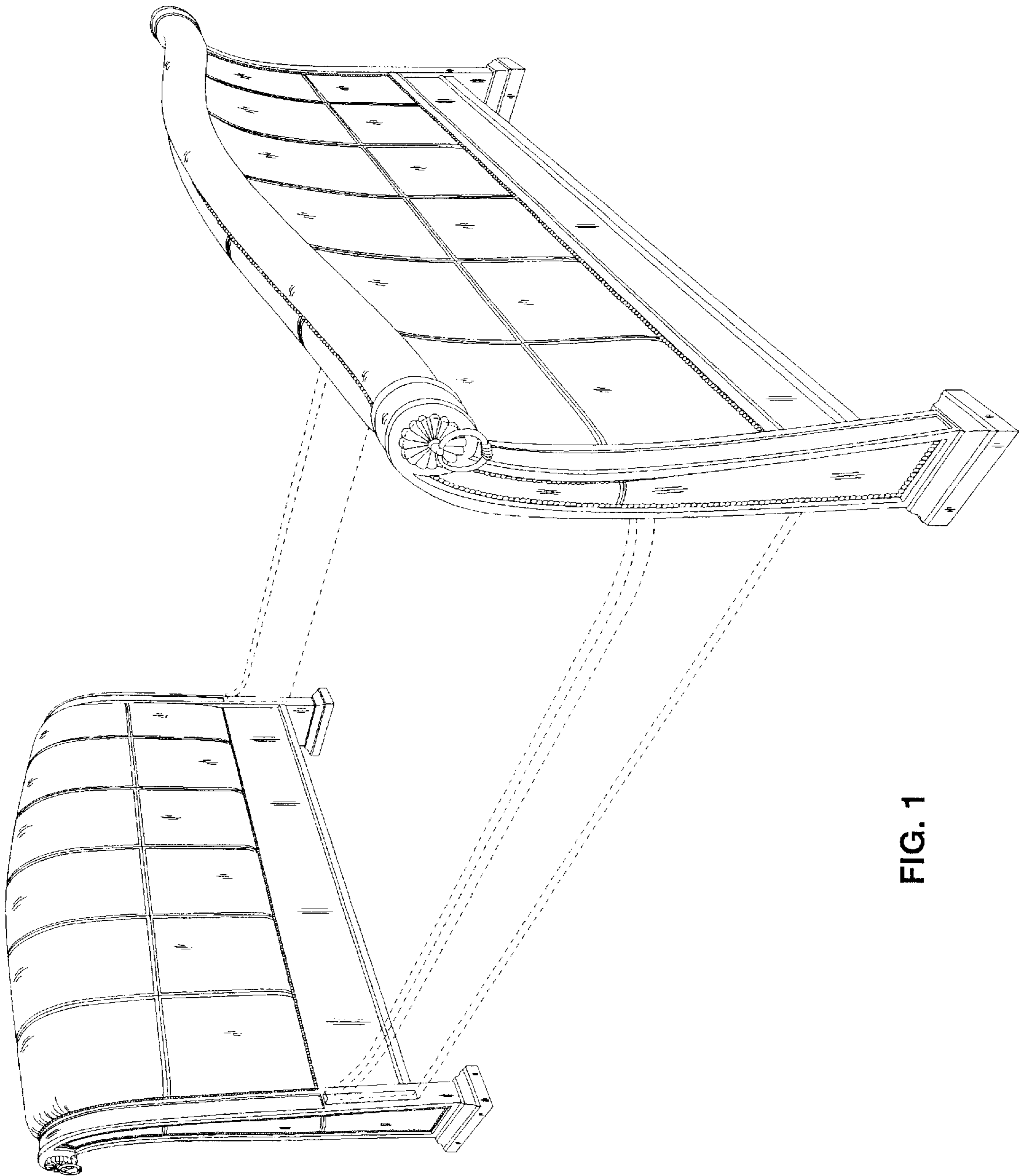


FIG. 1

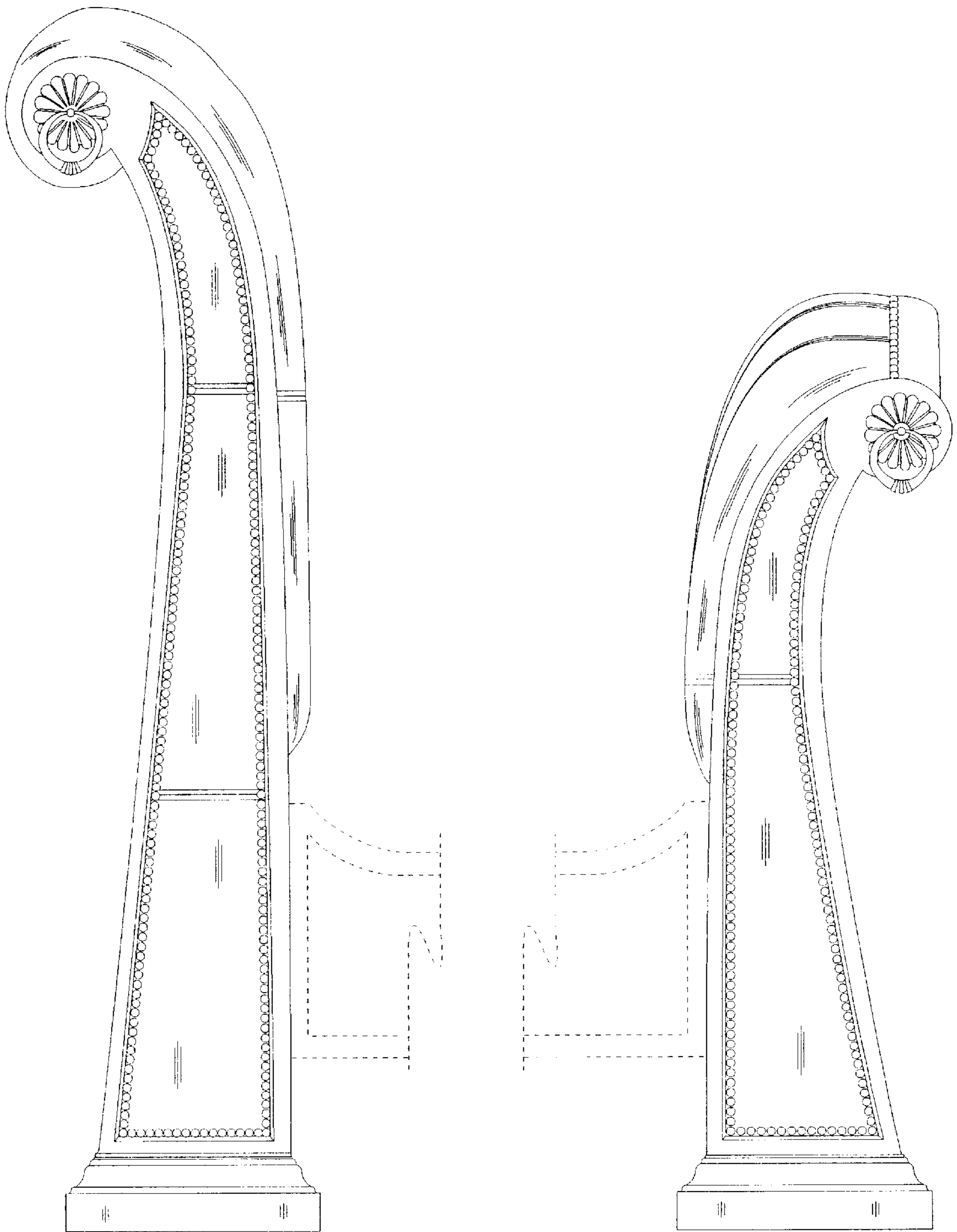


FIG. 2

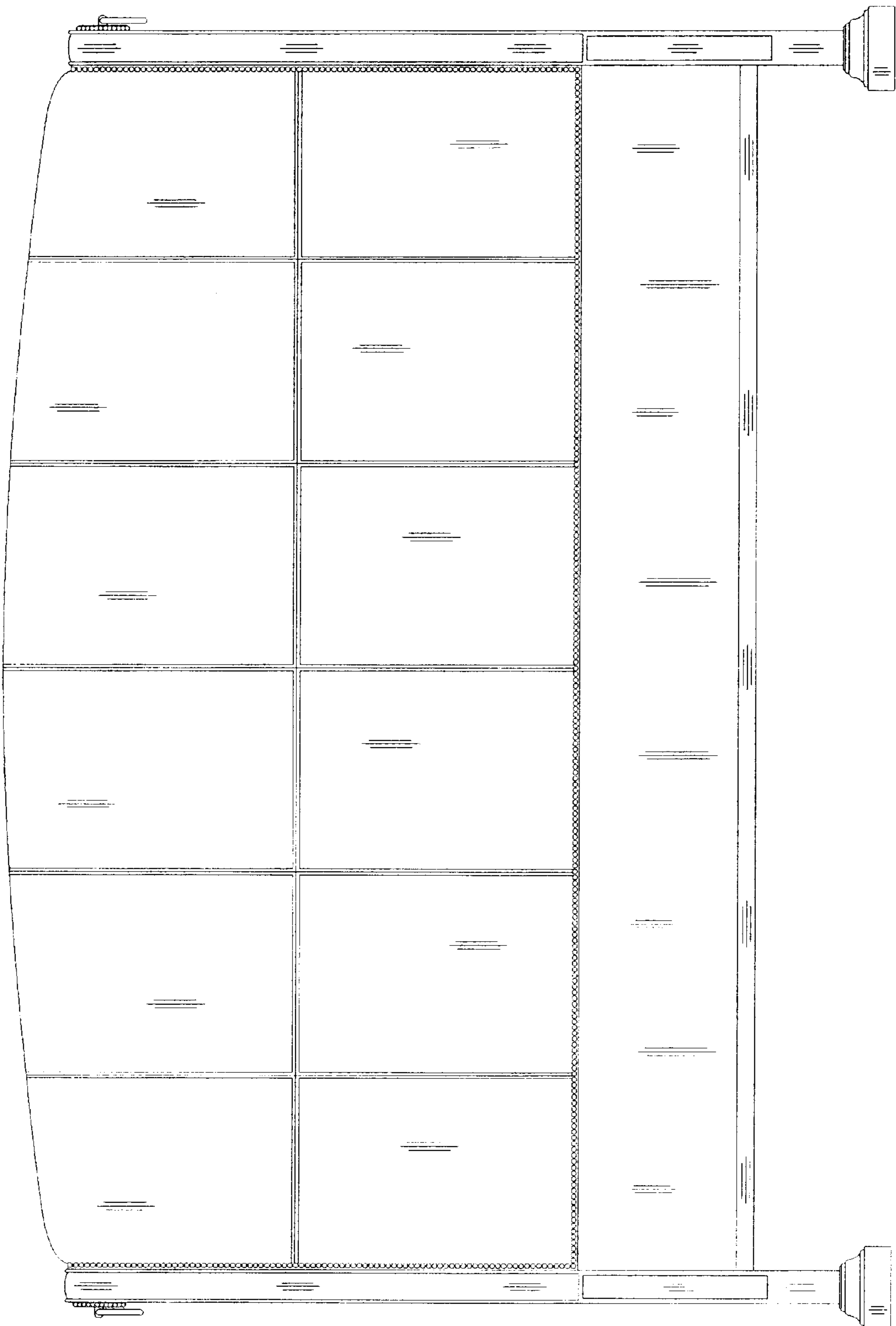


FIG. 3

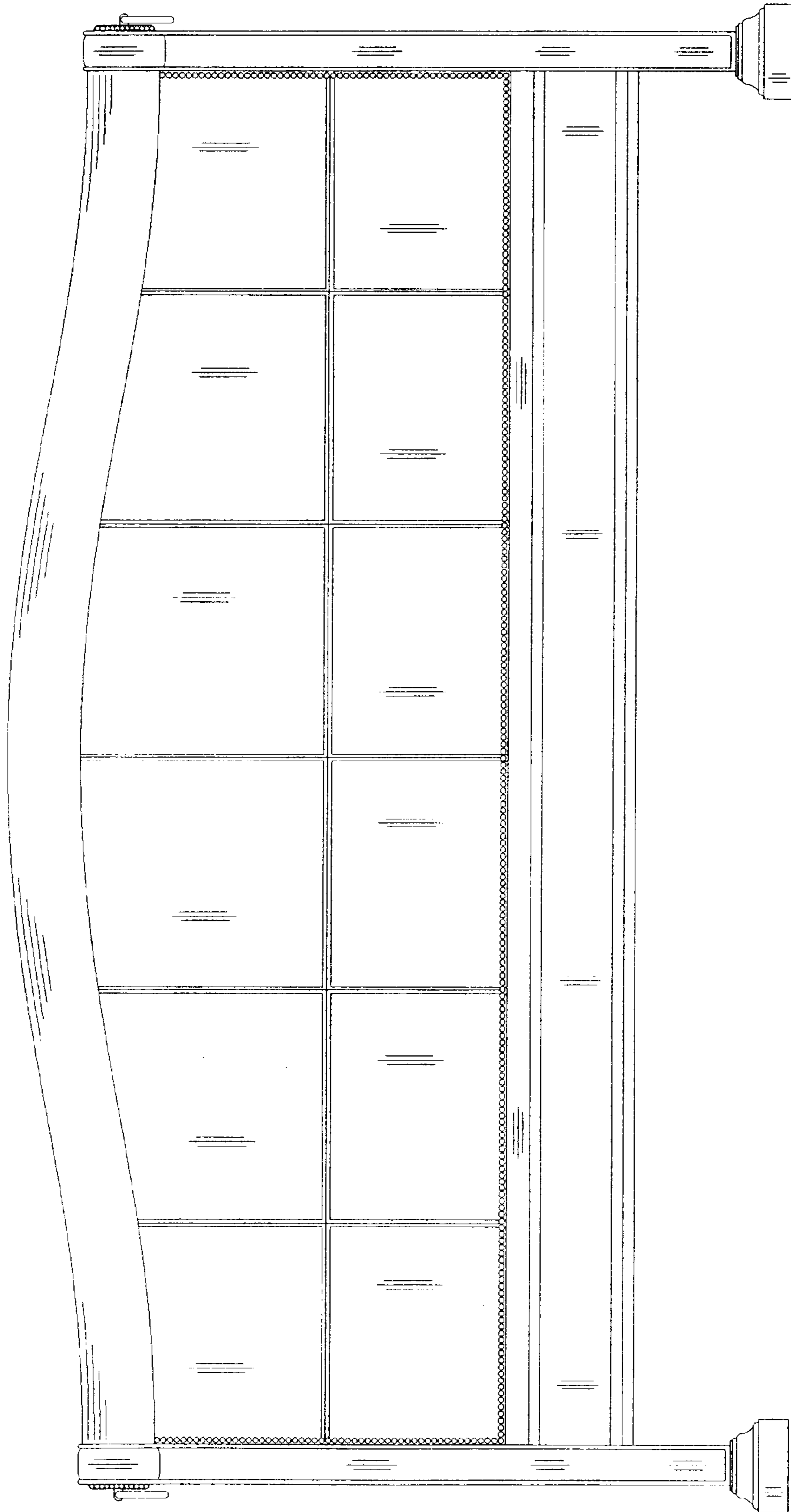


FIG. 4

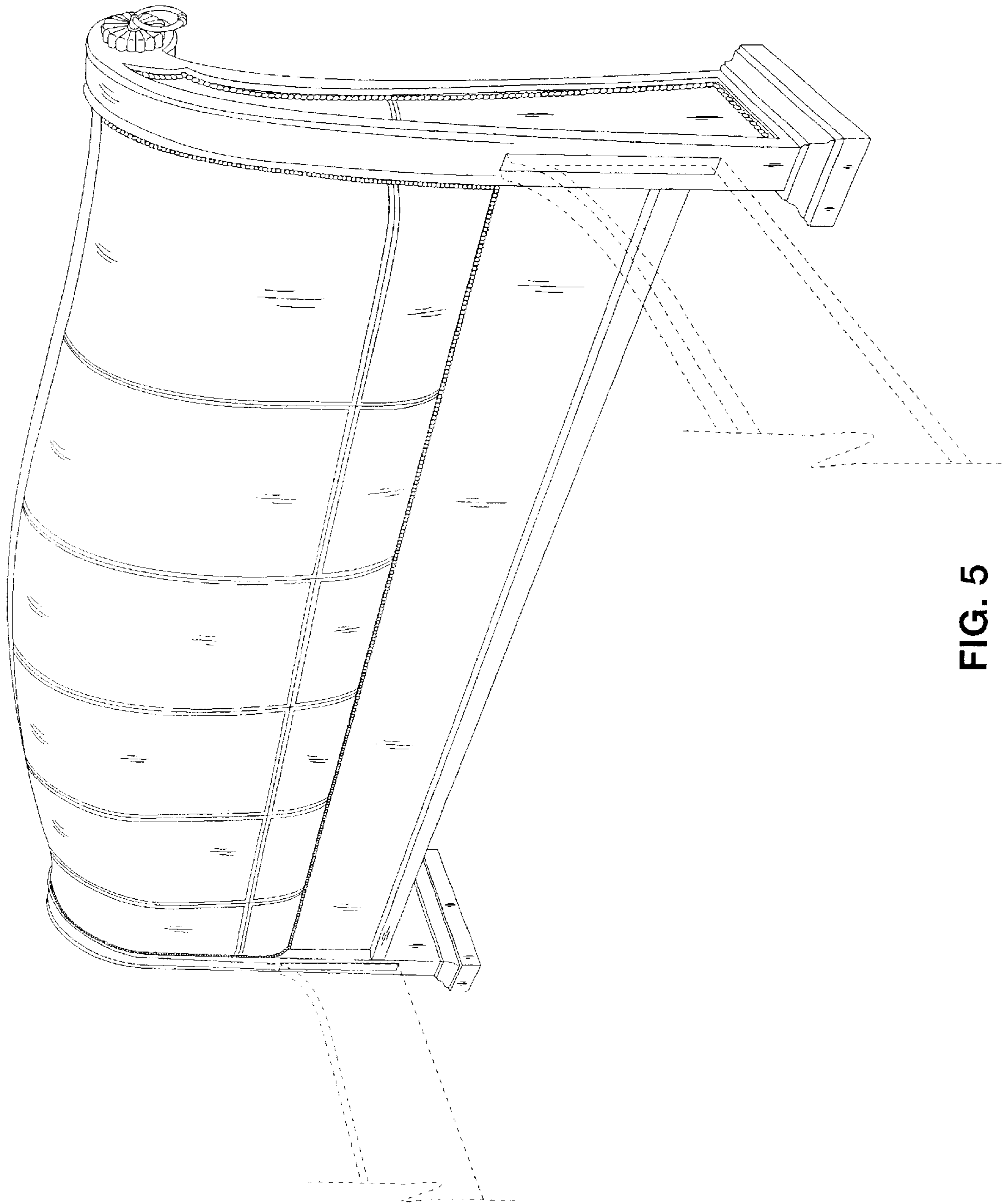


FIG. 5

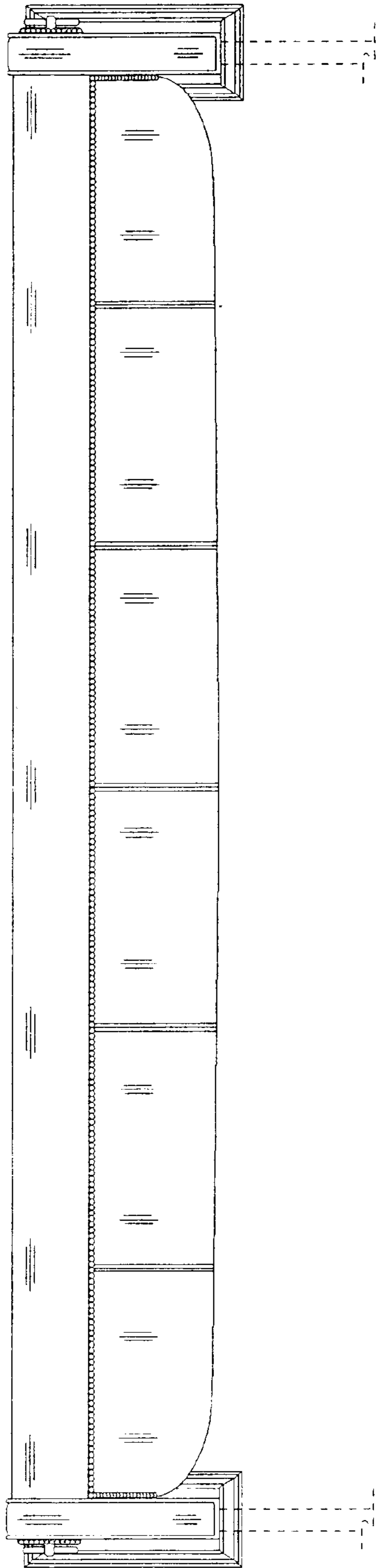


FIG. 6