



US00D455908S

(12) **United States Design Patent**
Liu

(10) **Patent No.:** **US D455,908 S**

(45) **Date of Patent:** **** Apr. 23, 2002**

(54) **SINGLE-USER SWING CHAIR**

(76) Inventor: **Lausan Chung-Hsin Liu**, No. 243,
Chien-Kuo Rd., Hsin-Tien City, Taipei
Hsien (TW)

(**) Term: **14 Years**

(21) Appl. No.: **29/145,797**

(22) Filed: **Jul. 31, 2001**

(51) **LOC (7) Cl.** **06-01**

(52) **U.S. Cl.** **D6/347**

(58) **Field of Search** D6/334, 335, 344,
D6/346, 347, 374, 375, 500-502; 297/273,
277, 280, 281, 452.13, 452.19, 452.2; 472/118,
125

(56) **References Cited**

U.S. PATENT DOCUMENTS

D379,270 S	*	5/1997	Voyce	D6/347
5,842,741 A	*	12/1998	Onorini	297/281
D423,802 S	*	5/2000	Tseng	D6/347
D440,057 S	*	4/2001	Tseng	D6/344

* cited by examiner

Primary Examiner—Doris V. Coles

Assistant Examiner—Mimosa De

(74) *Attorney, Agent, or Firm*—Bacon & Thomas, PLLC

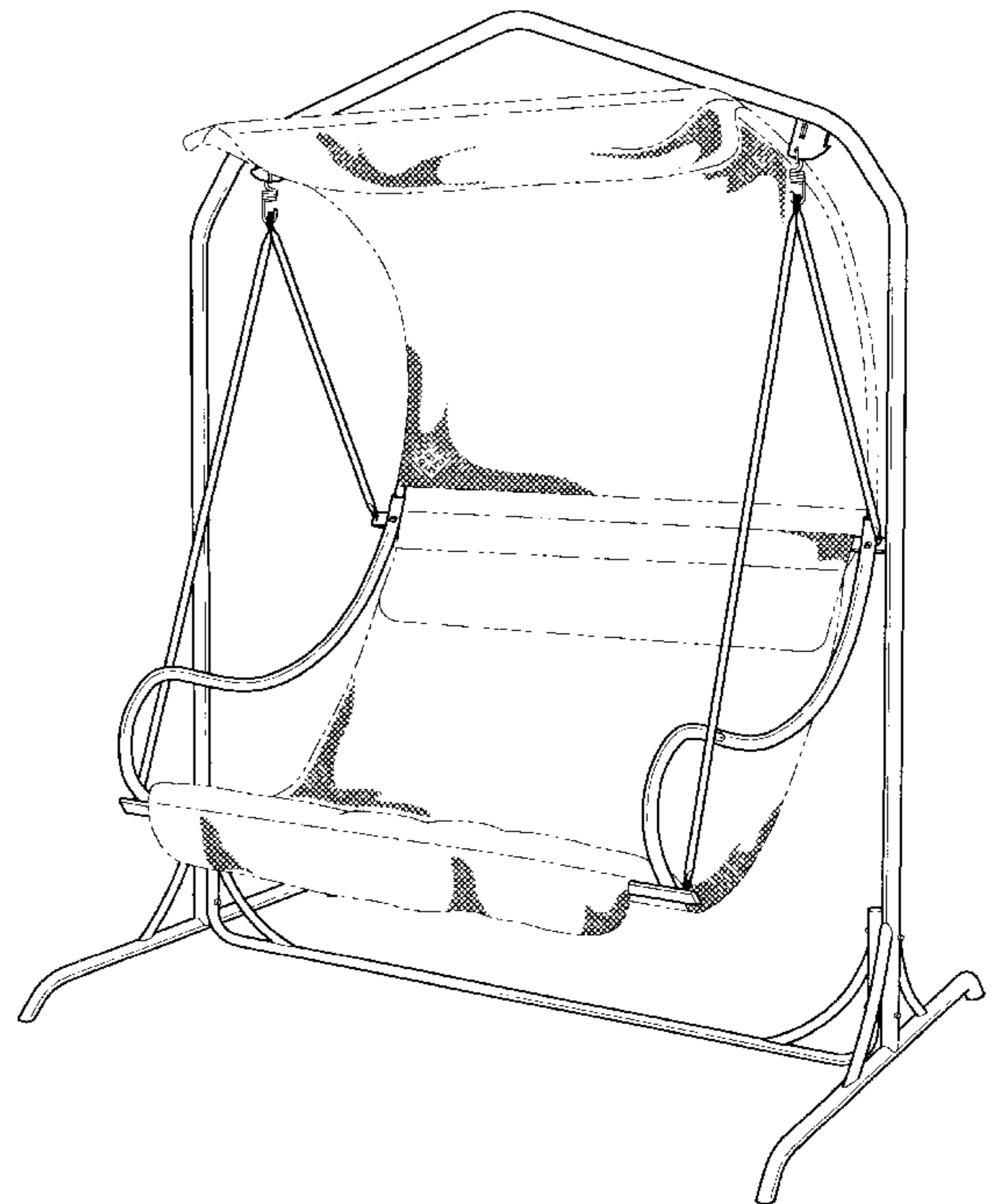
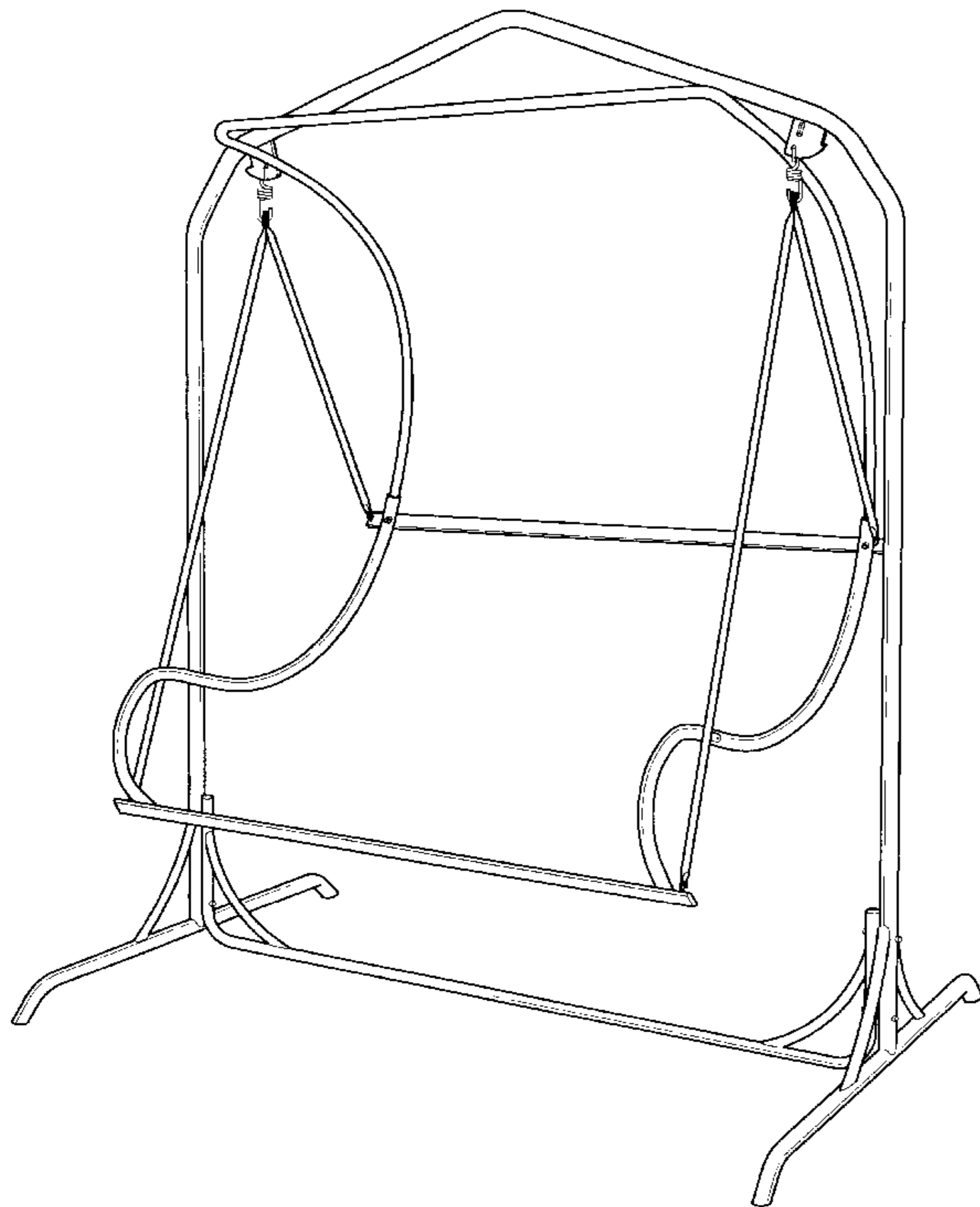
(57) **CLAIM**

The ornamental design for “single-user swing chair”, as shown and described.

DESCRIPTION

FIG. 1 is a perspective view of “single-user swing chair” showing my new design thereof;
FIG. 2 is a right side elevational view thereof and the left side elevational view being a mirror image thereof,
FIG. 3 is a top plan view thereof;
FIG. 4 is a front side elevational view thereof
FIG. 5 is a bottom plan view thereof.,
FIG. 6 is a rear side elevational view thereof; and,
FIG. 7 is a perspective view thereof shown in using position. The broken line showing of the canopy and the seat in FIG. 7 is for illustrative purposes only and forms no part of the claimed design.

1 Claim, 7 Drawing Sheets



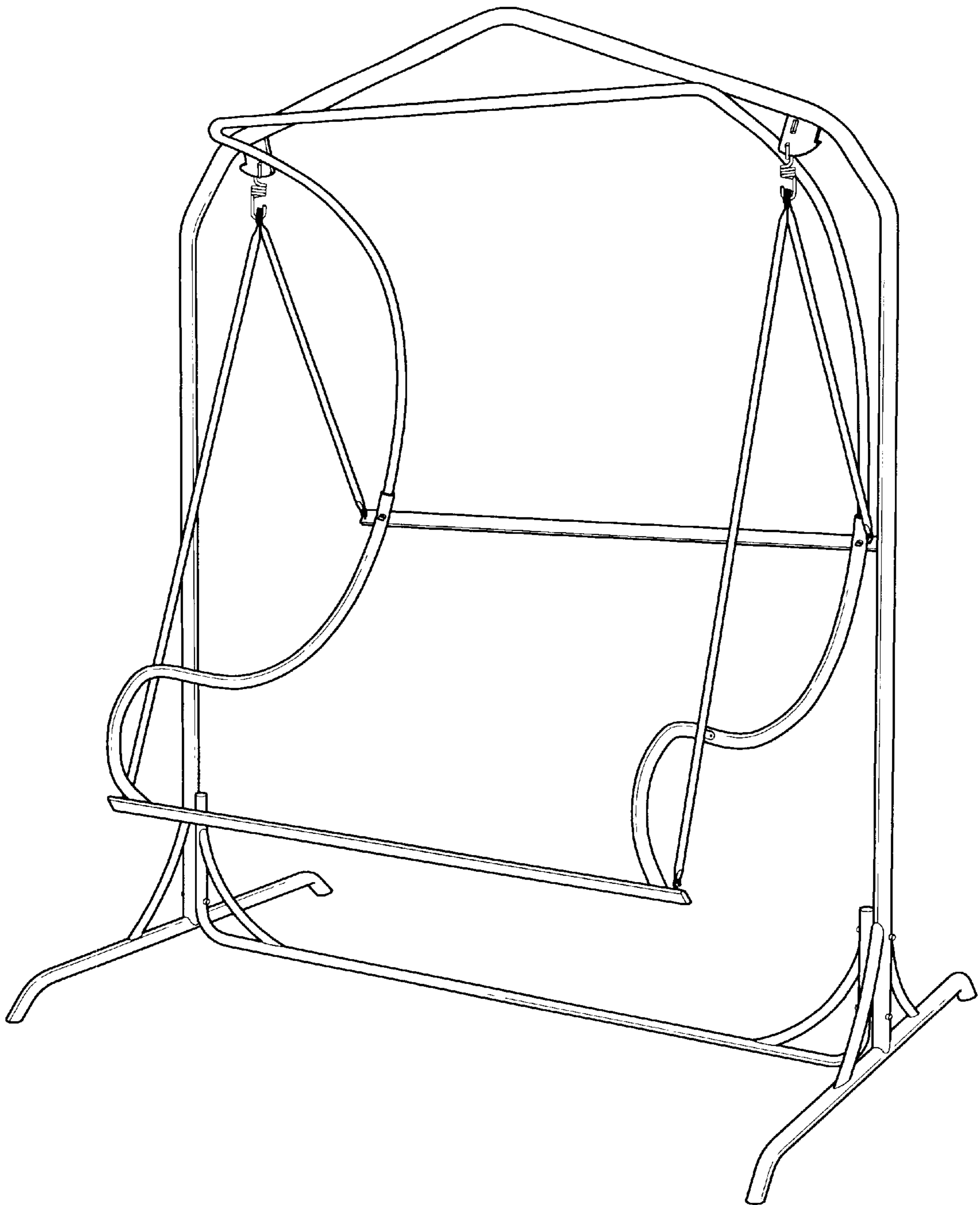


Fig. 1

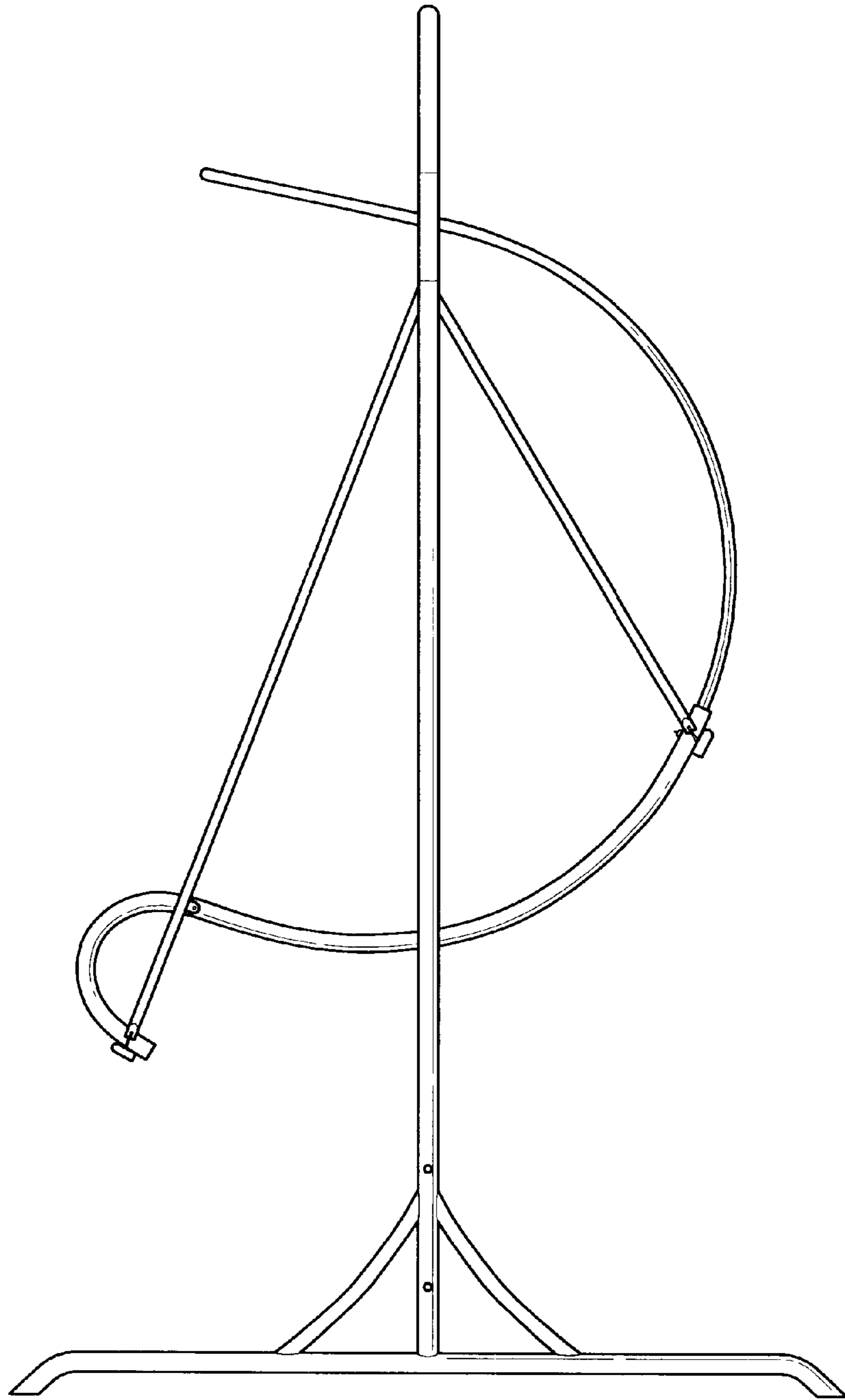


Fig. 2

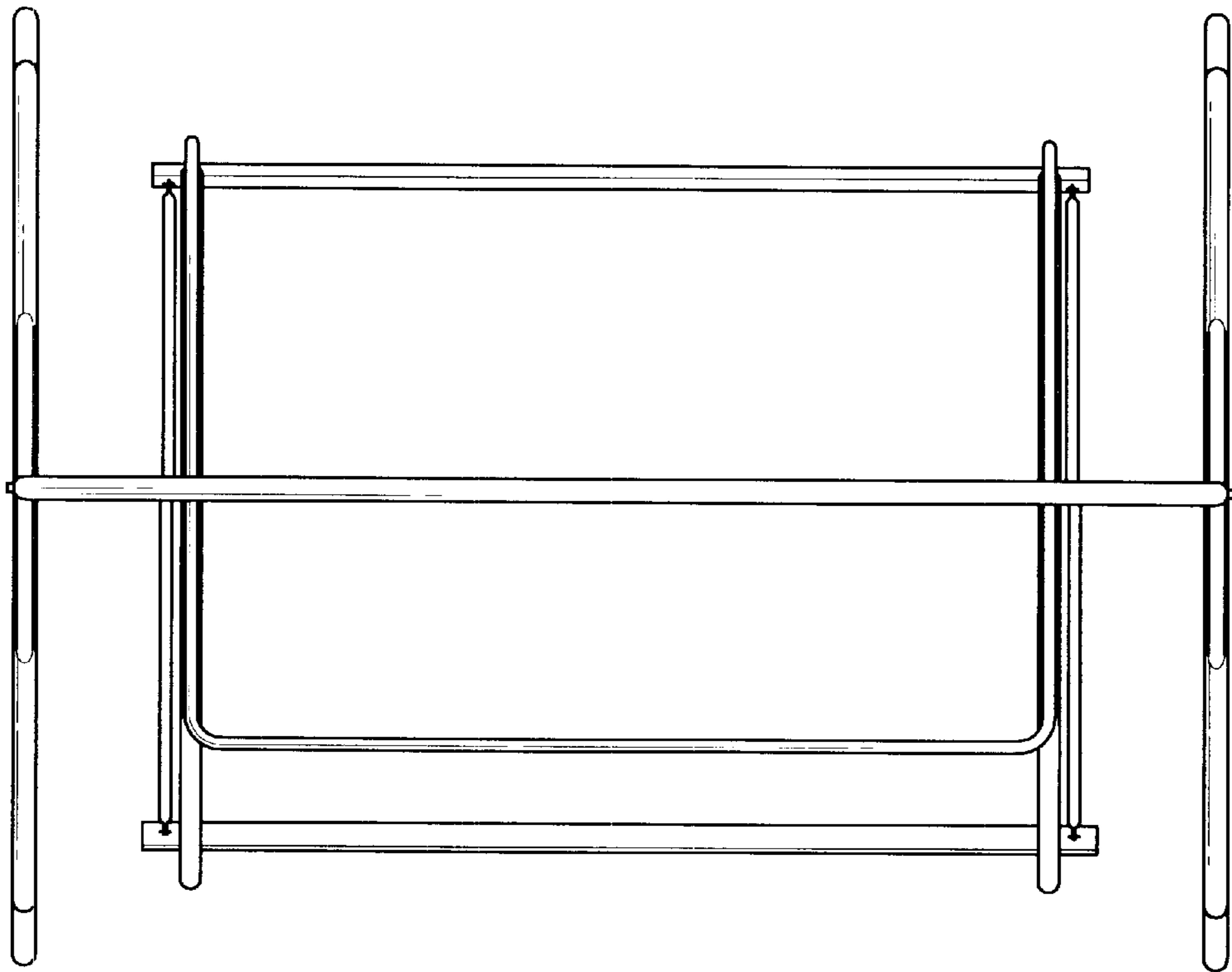


Fig. 3

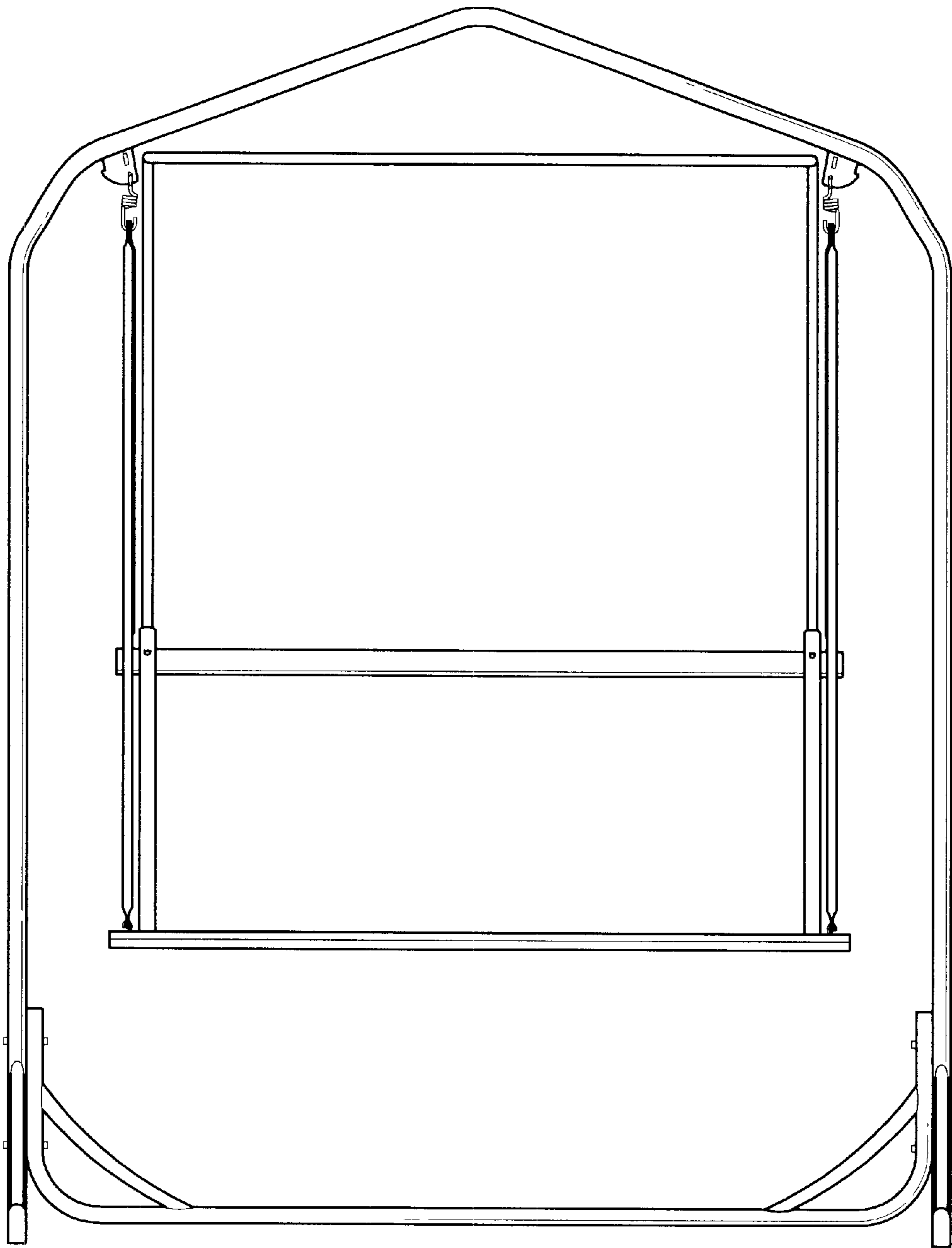


Fig. 4

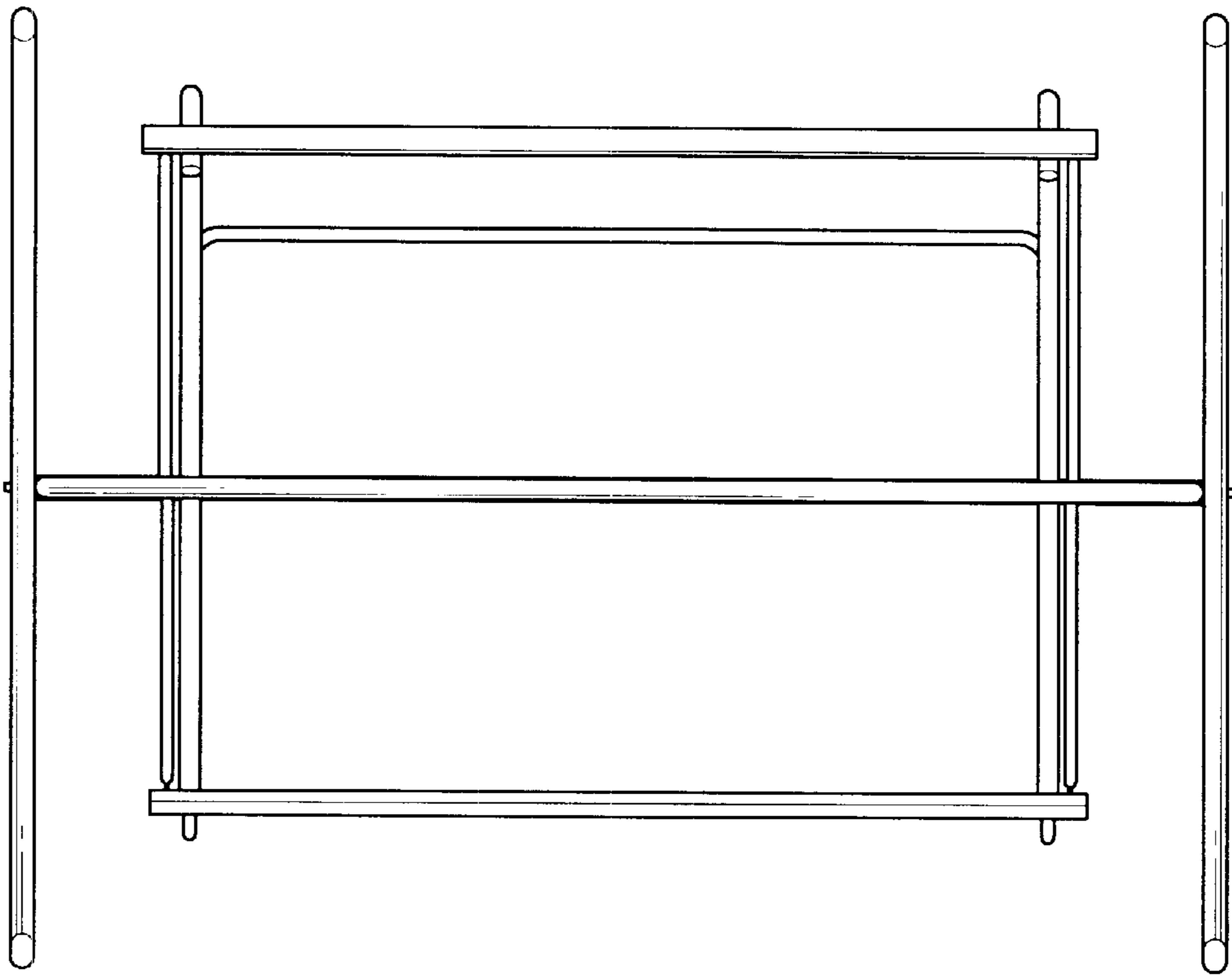


Fig. 5

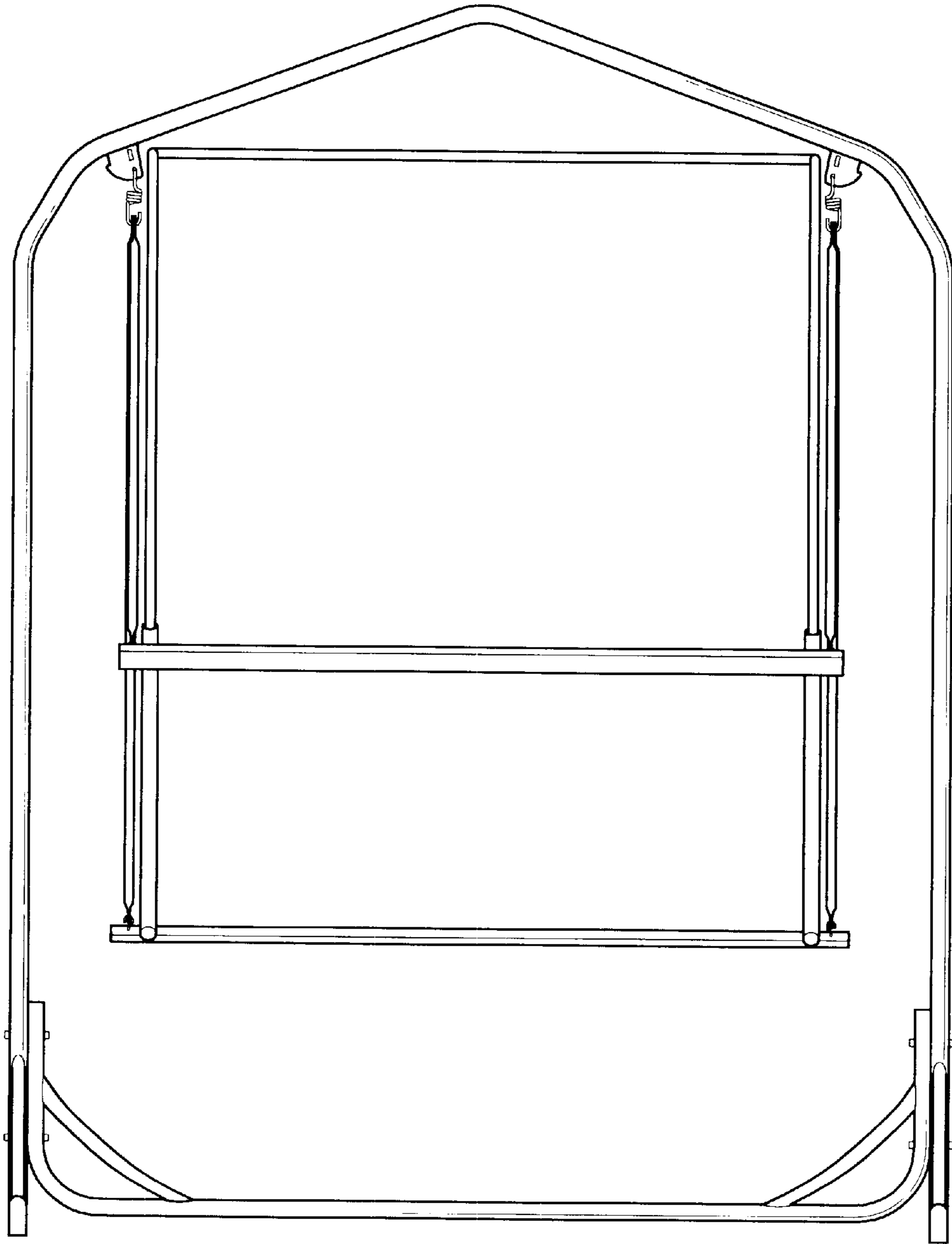


Fig. 6

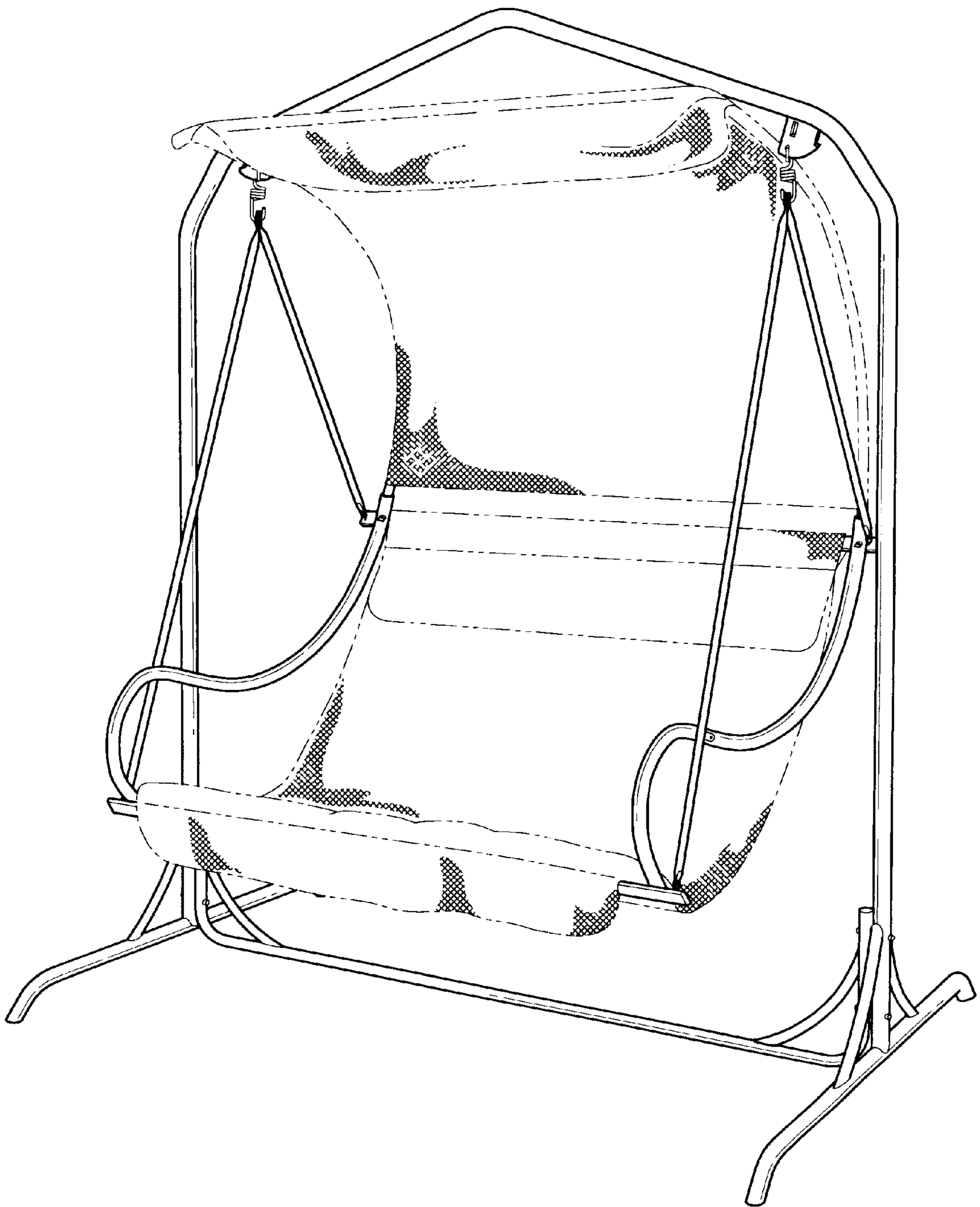


Fig. 7