



US00D455902S

(12) **United States Design Patent**  
**Wolf**

(10) **Patent No.:** **US D455,902 S**

(45) **Date of Patent:** **\*\* Apr. 23, 2002**

(54) **JEWEL BOX WITH TRAY**

6,045,202 A \* 4/2000 Simon

(75) Inventor: **Simon Wolf**, Malibu, CA (US)

**OTHER PUBLICATIONS**

(73) Assignee: **Wolf Designs, Inc.**, Malibu, CA (US)

Hong Kong Enterprise, Oct. 1996, p. 239, jewelry box A387.\*

(\*\*) Term: **14 Years**

Hong Kong Enterprise, Oct. 1996, p. 1234, jewelry boxes.\*

(21) Appl. No.: **29/139,048**

\* cited by examiner

(22) Filed: **Mar. 22, 2001**

*Primary Examiner*—Lucy Lieberman

(51) **LOC (7) Cl.** ..... **03-01**

(74) *Attorney, Agent, or Firm*—Cislo & Thomas LLP

(52) **U.S. Cl.** ..... **D3/275; D3/284; D3/291;**  
D3/295

(57) **CLAIM**

(58) **Field of Search** ..... D3/903, 901, 291,  
D3/294–297, 20, 201, 203, 205, 273–276,  
281–286, 301, 302; 190/110, 102, 109,  
111, 115, 119; 206/457, 6.1, 581, 823, 566,  
235

The ornamental design for a jewel box with tray, as shown and described.

**DESCRIPTION**

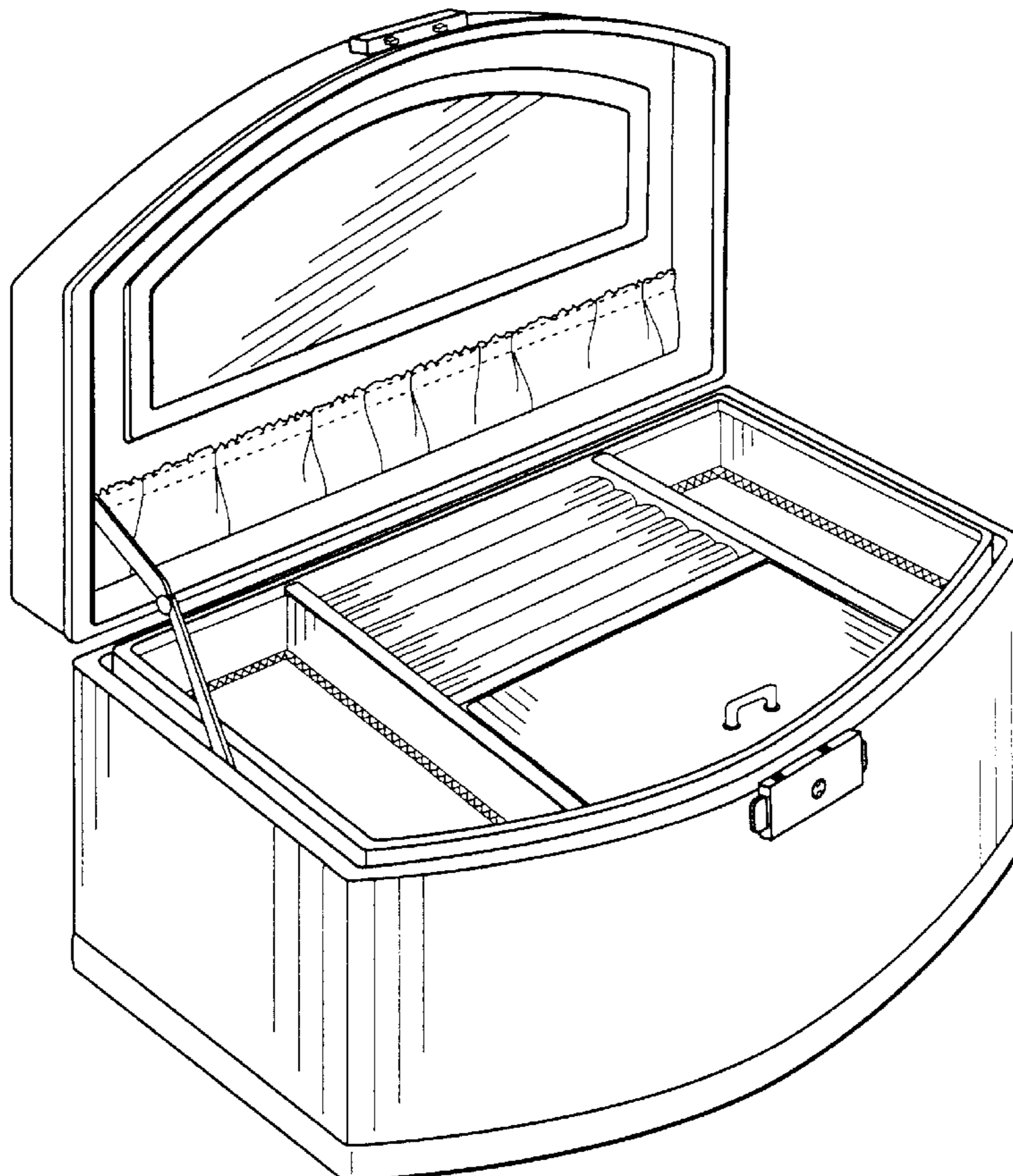
(56) **References Cited**

**U.S. PATENT DOCUMENTS**

1,541,496 A	*	6/1925	Hauber	.....	190/111
2,025,101 A	*	12/1935	Halpin	.....	190/111
D202,160 S	*	8/1965	Territo	.....	D3/284
D233,078 S	*	10/1974	Mullins	.....	D3/901
5,692,605 A	*	12/1997	Lai	.....	206/6.1
D417,783 S	*	12/1999	Wolf	.....	D3/291

FIG. 1. is a front perspective view of my jewel box with tray;  
FIG. 2. is a view similar to FIG. 1, but illustrating the article  
in the open position;  
FIG. 3. is a front view thereof;  
FIG. 4. is a rear view thereof;  
FIG. 5 is a right side elevation thereof;  
FIG. 6 is a left side elevation thereof;  
FIG. 7. is a top view thereof; and,  
FIG. 8. is a bottom view thereof.

**1 Claim, 3 Drawing Sheets**



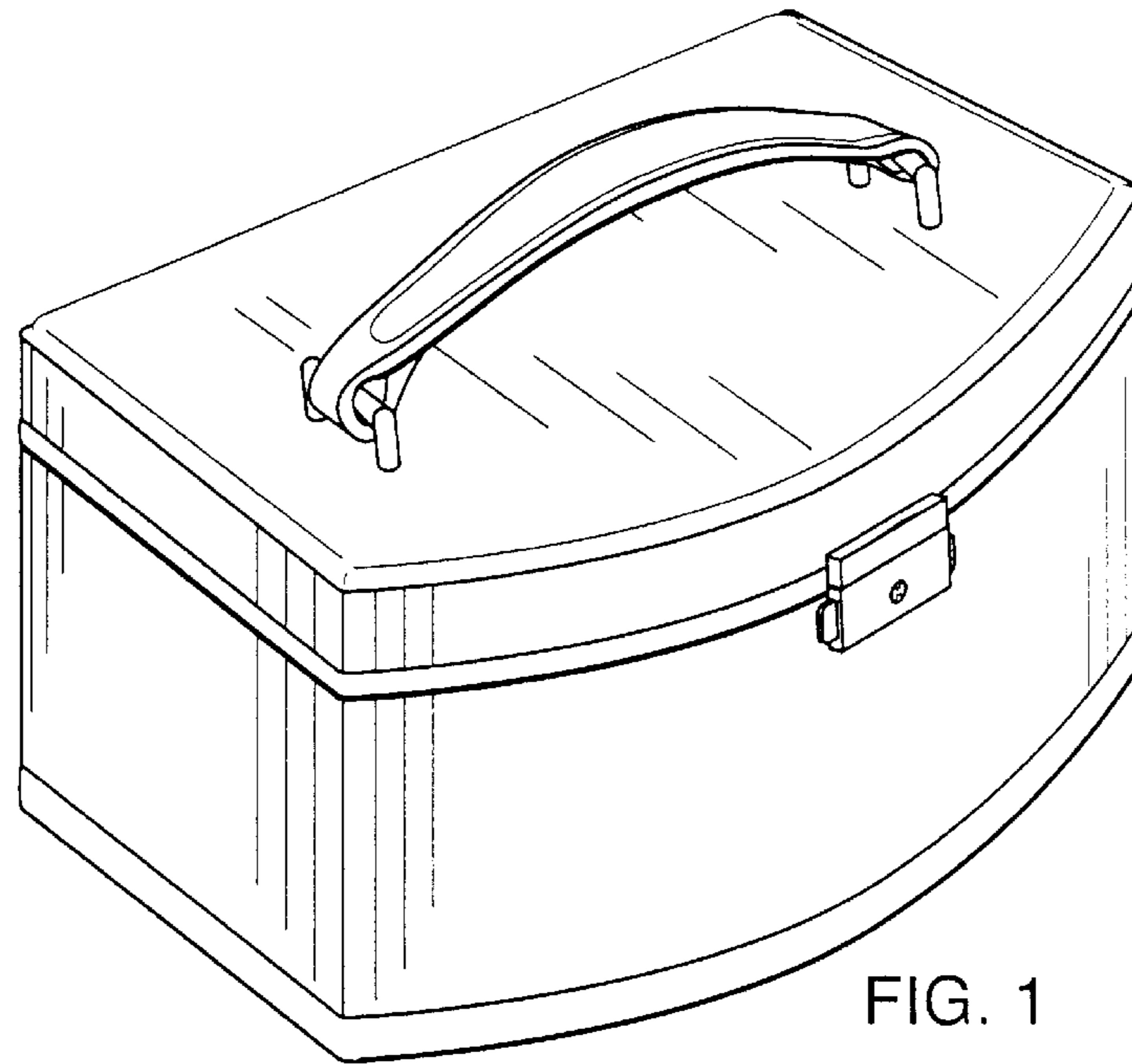


FIG. 1

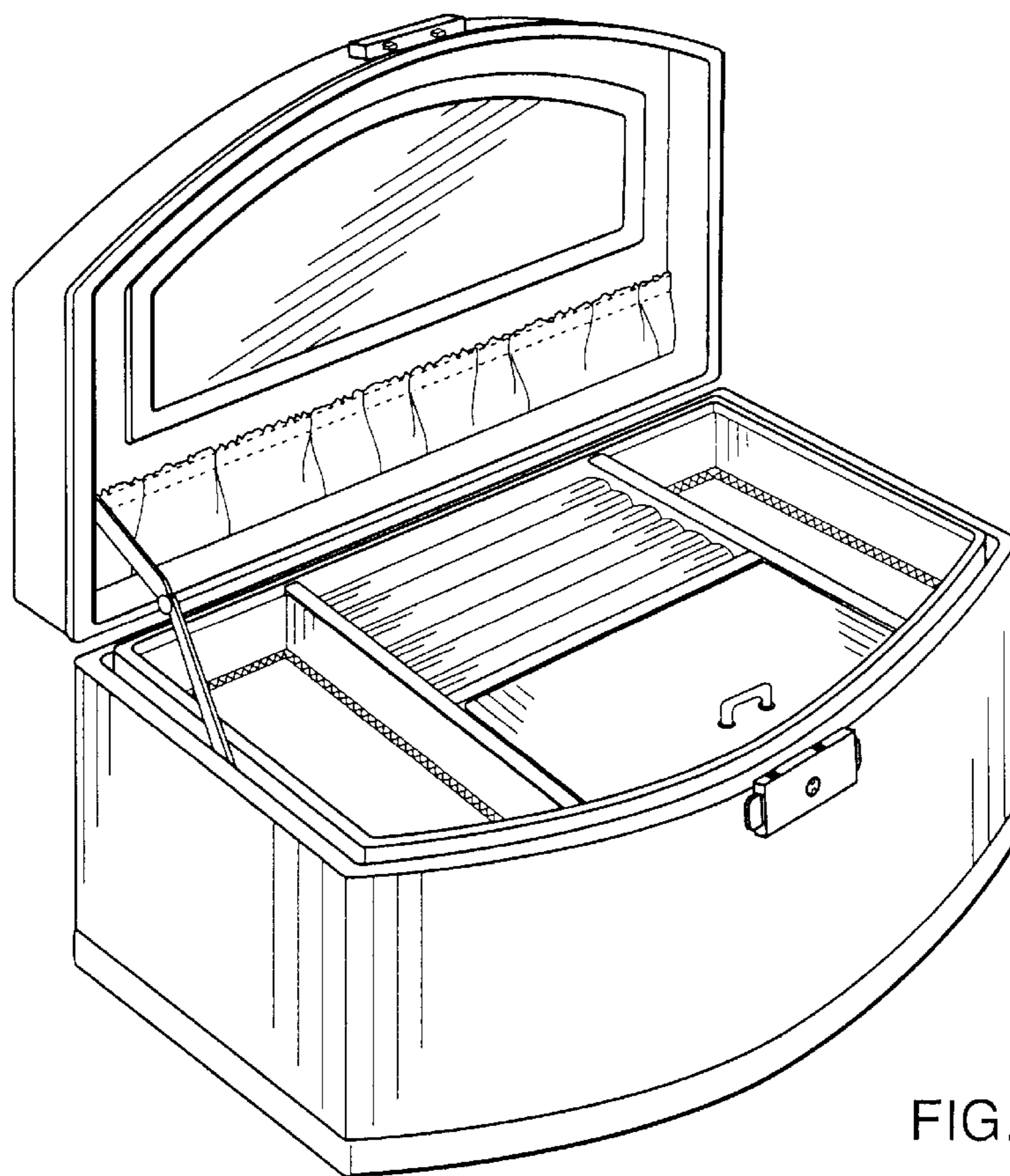


FIG. 2

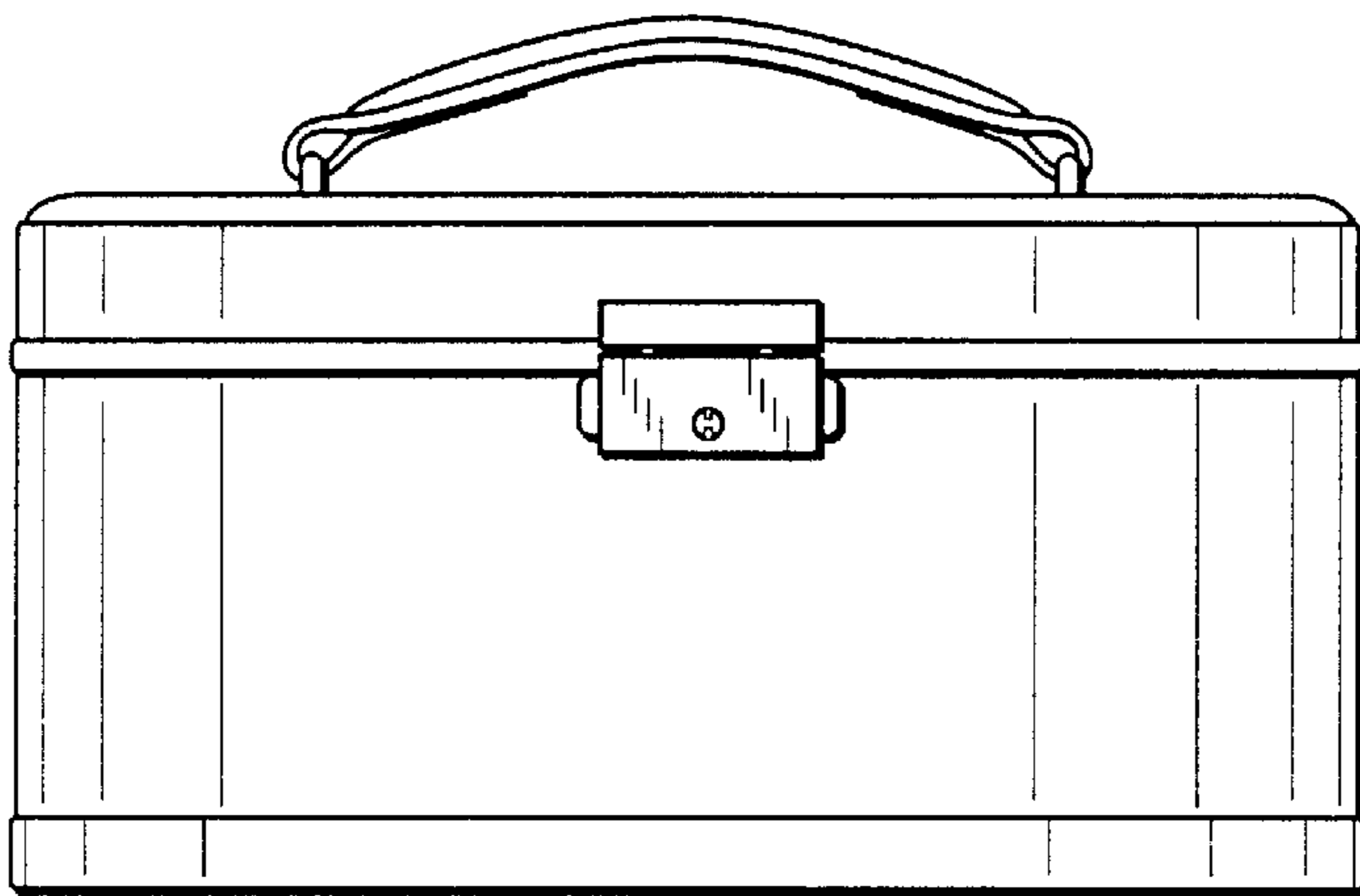


FIG. 3

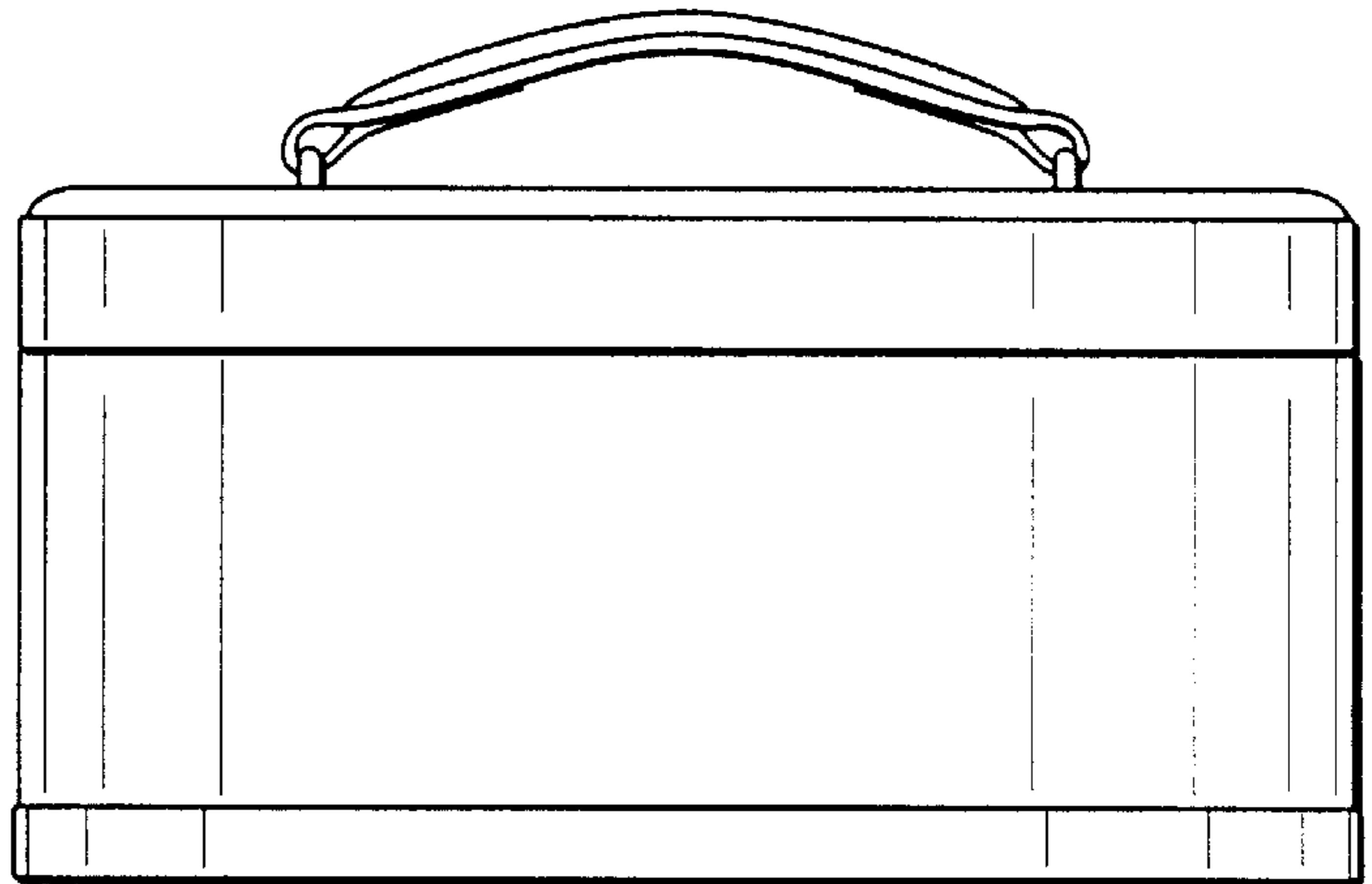


FIG. 4

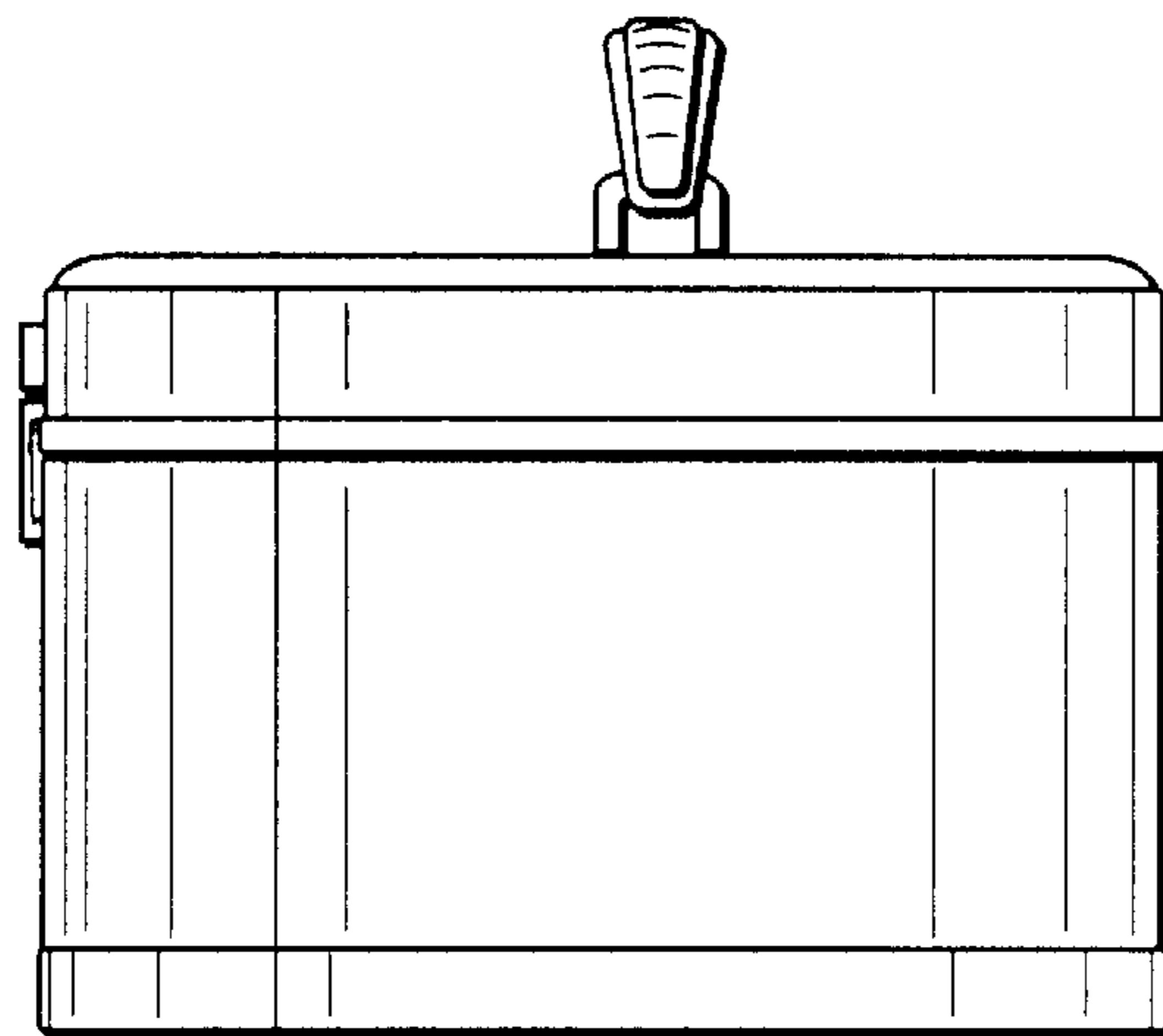


FIG. 5

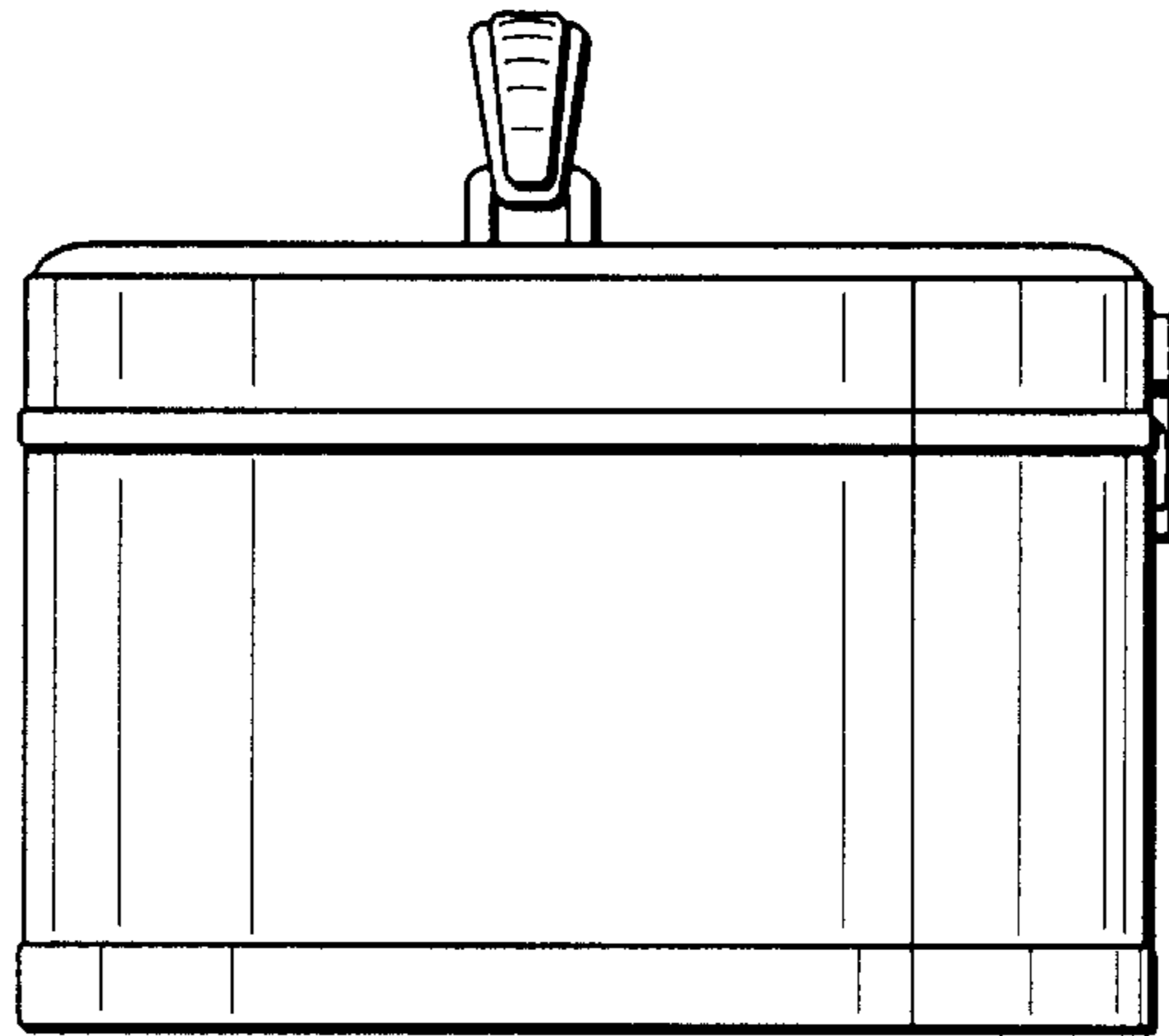


FIG. 6

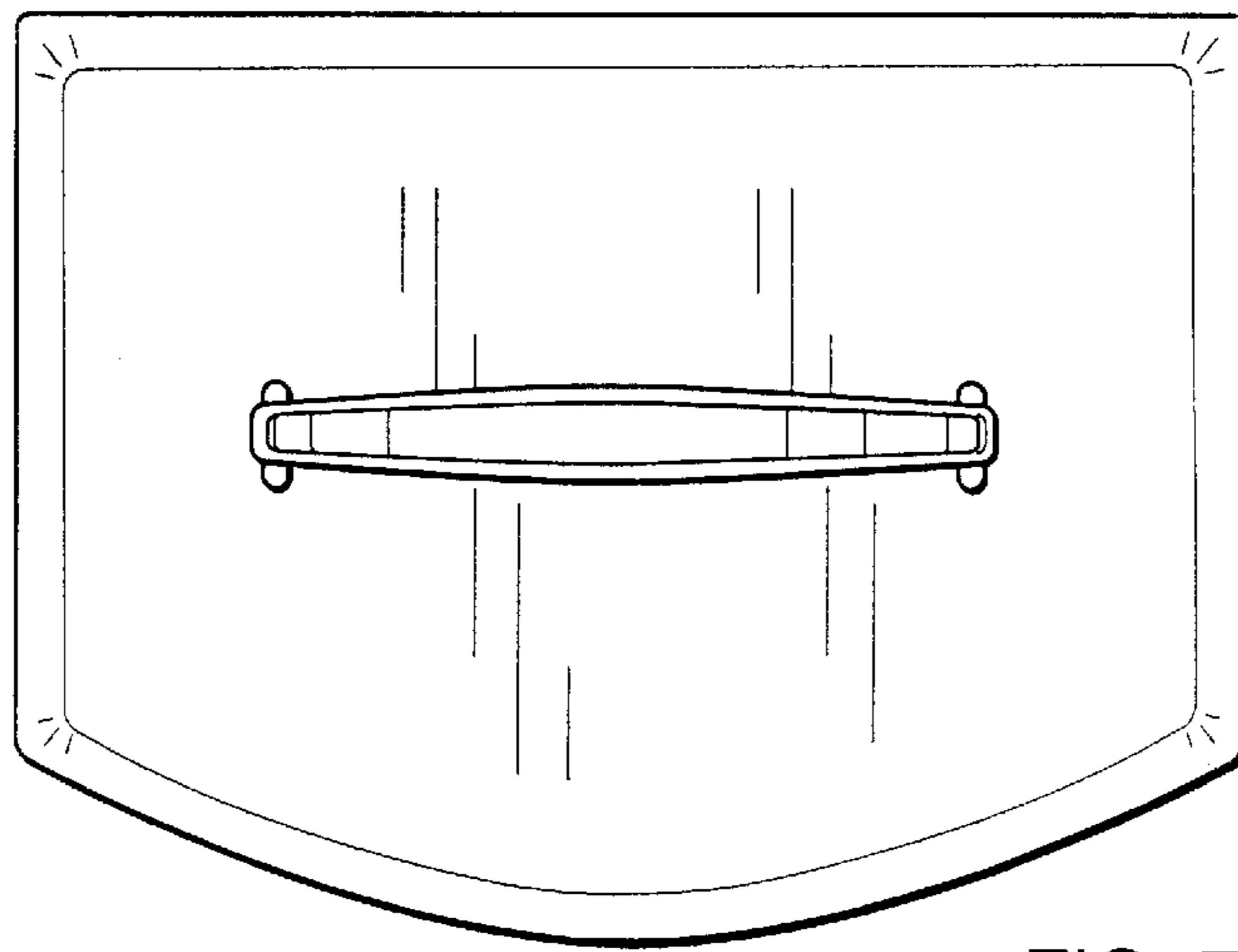


FIG. 7

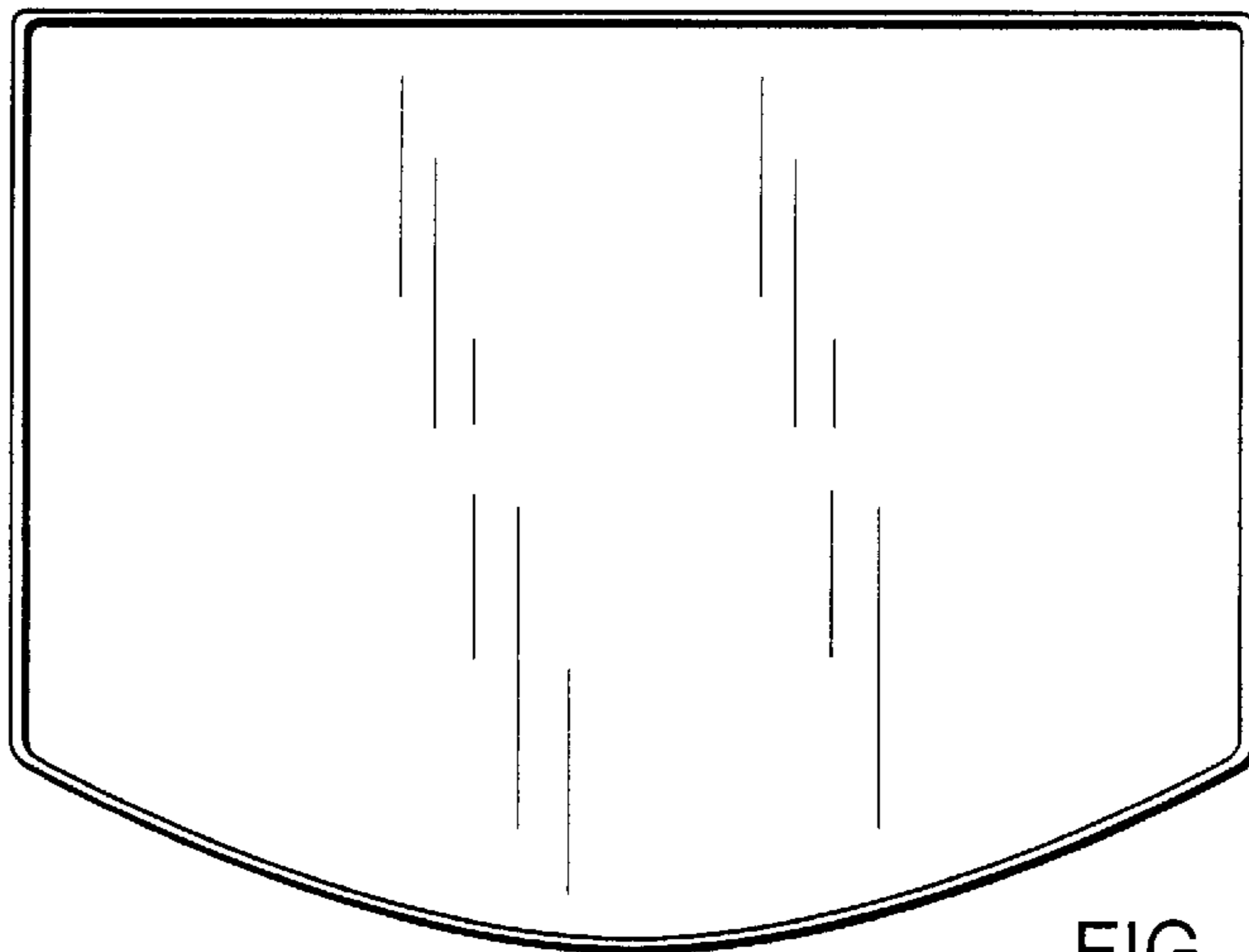


FIG. 8