



US00D455900S

(12) **United States Design Patent**
Tecson

(10) **Patent No.:** **US D455,900 S**

(45) **Date of Patent:** **** Apr. 23, 2002**

(54) **TOOL HOLSTER**

(75) **Inventor:** **Marie Therese Jasmin Tecson**, West Covina, CA (US) 91792

(73) **Assignee:** **Olympia Group, Inc.**, City of Industry, CA (US)

(**) **Term:** **14 Years**

(21) **Appl. No.:** **29/138,106**

(22) **Filed:** **Mar. 6, 2001**

(51) **LOC (7) Cl.** **03-01**

(52) **U.S. Cl.** **D3/228**

(58) **Field of Search** D3/228, 201, 205, D3/233, 232, 219, 225, 263-266; 224/904, 901, 240, 245; 206/5, 5.1, 6

(56) **References Cited**

U.S. PATENT DOCUMENTS

D266,205 S * 9/1982 Berman D3/219

D286,315 S * 10/1986 Gregory D3/225

D350,229 S * 9/1994 Dancyger D3/228

D350,230 S * 9/1994 O'Brien D3/205

D365,441 S * 12/1995 Drake et al. D3/205

* cited by examiner

Primary Examiner—Catherine R. Oliver

(74) *Attorney, Agent, or Firm*—Moser, Patterson & Sheridan, L.L.P.

(57) **CLAIM**

The ornamental design for a tool holster, as shown and described.

DESCRIPTION

FIG. 1 is a front view of the invention.

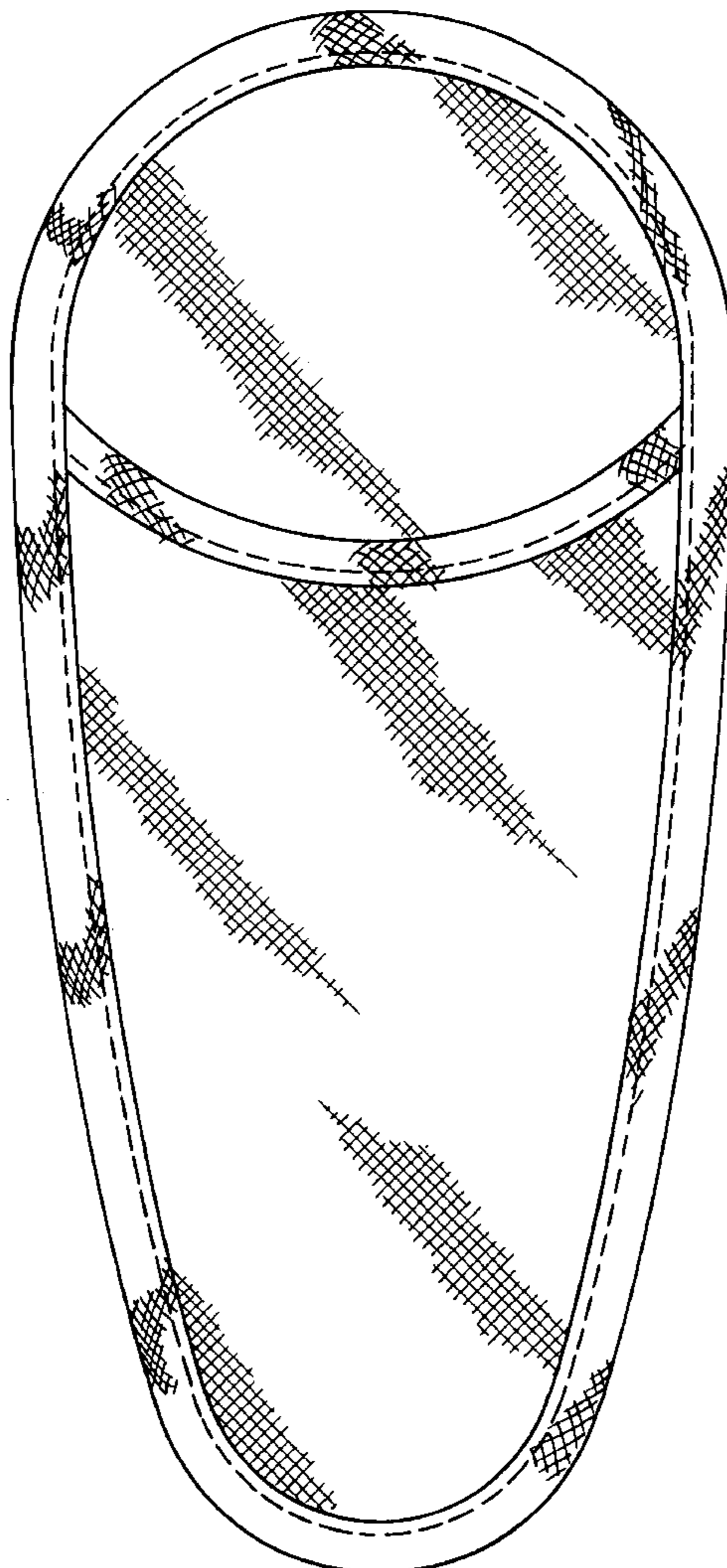
FIG. 2 is a left side view of the invention, the right side being identical thereto.

FIG. 3 is a rear view of the invention.

FIG. 4 is a top view of the invention; and,

FIG. 5 is a bottom view of the invention.

1 Claim, 2 Drawing Sheets



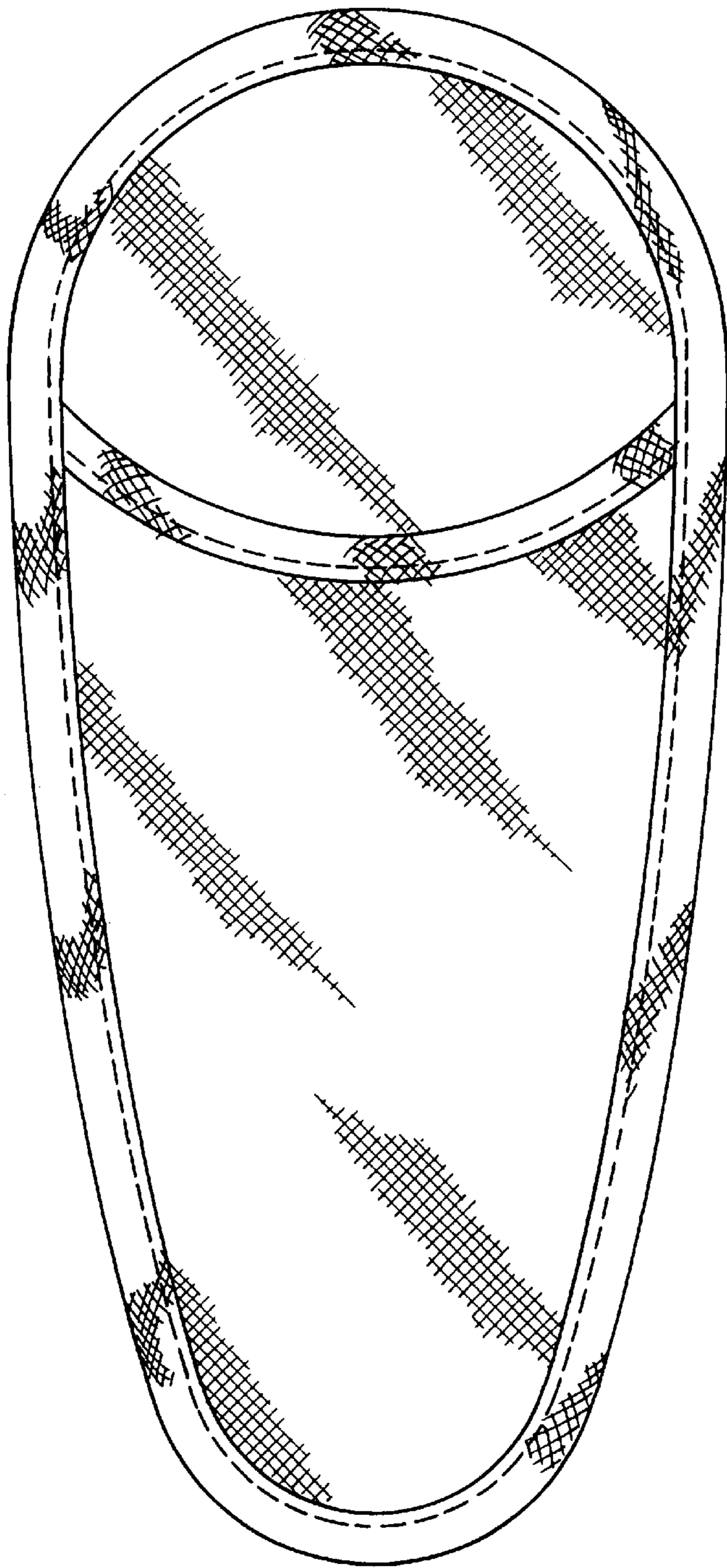


FIG. 1

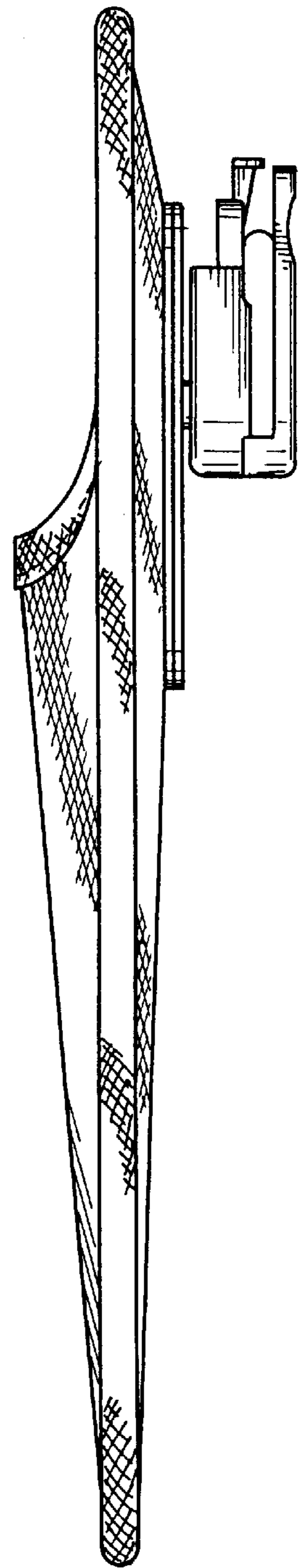


FIG. 2

FIG. 4

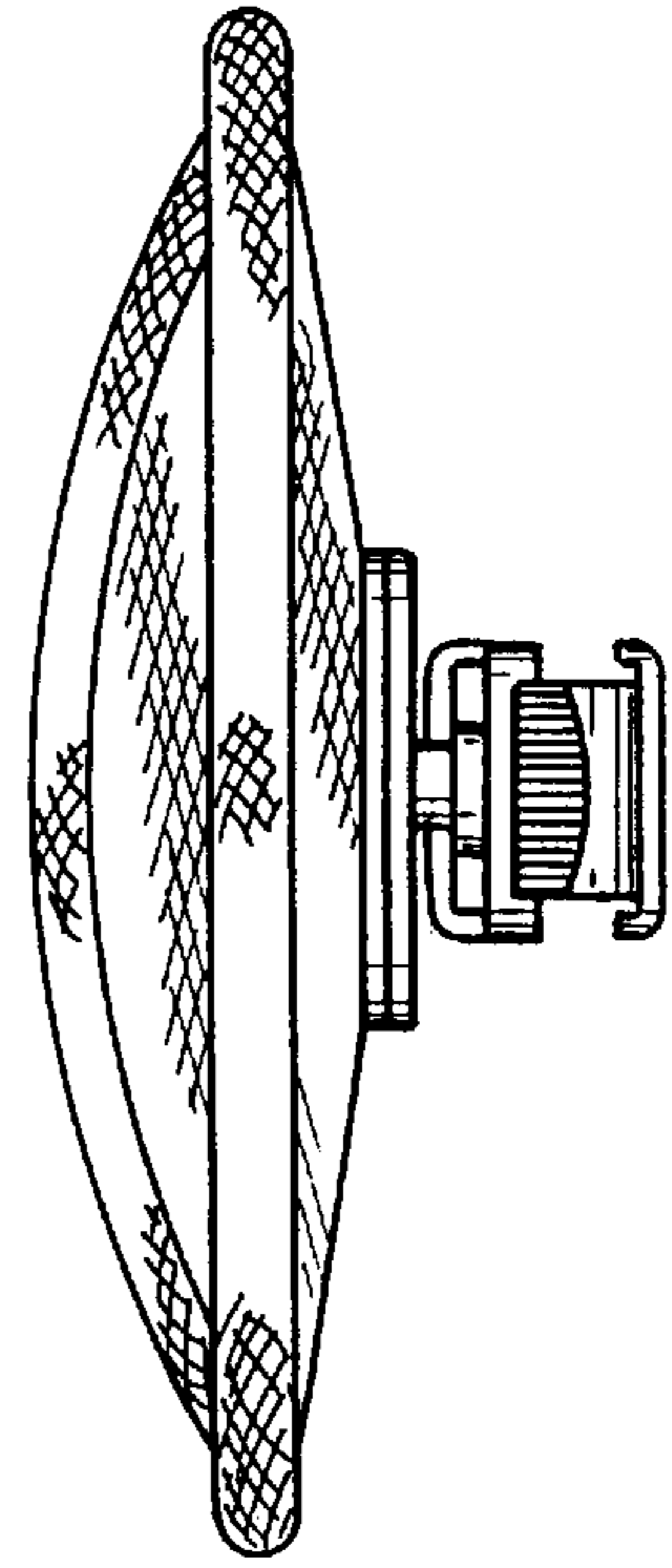


FIG. 5

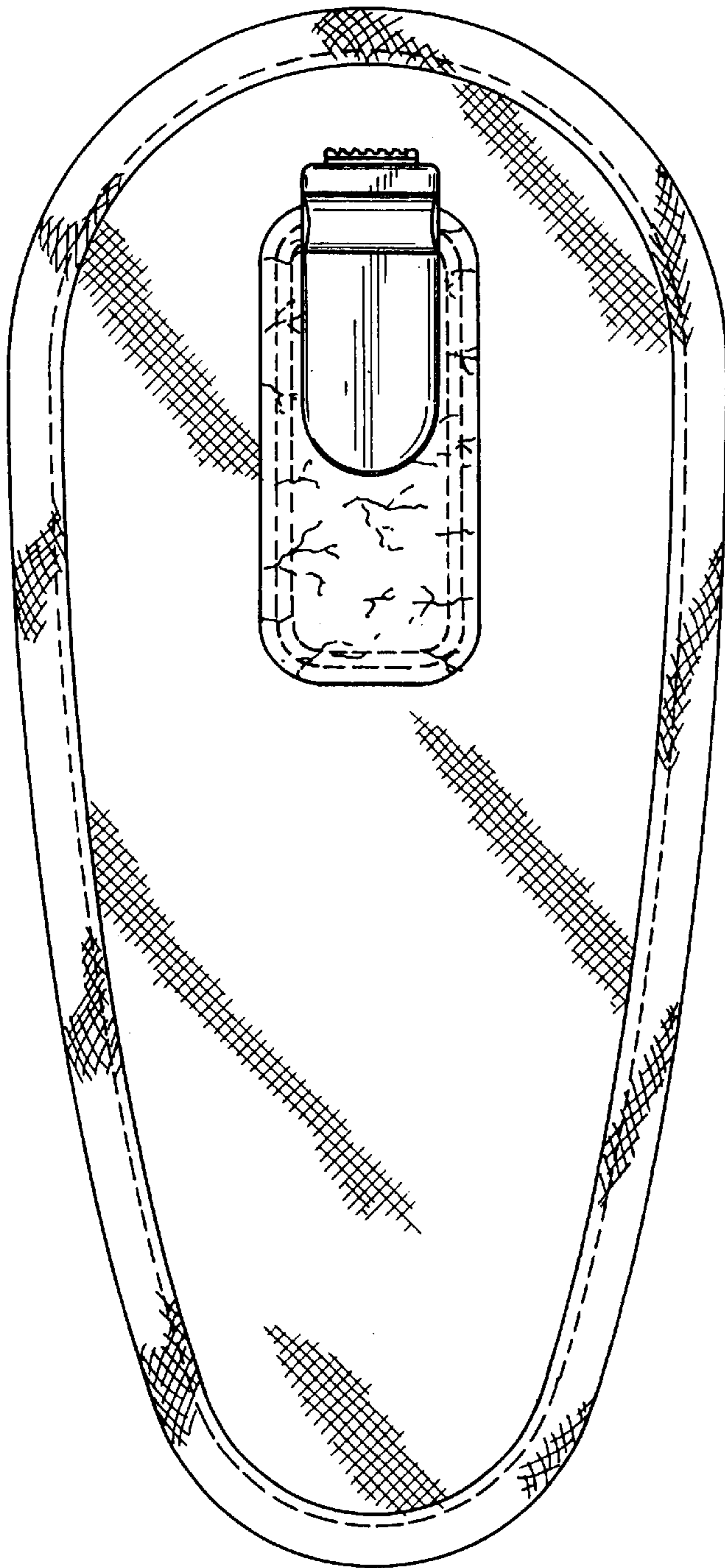
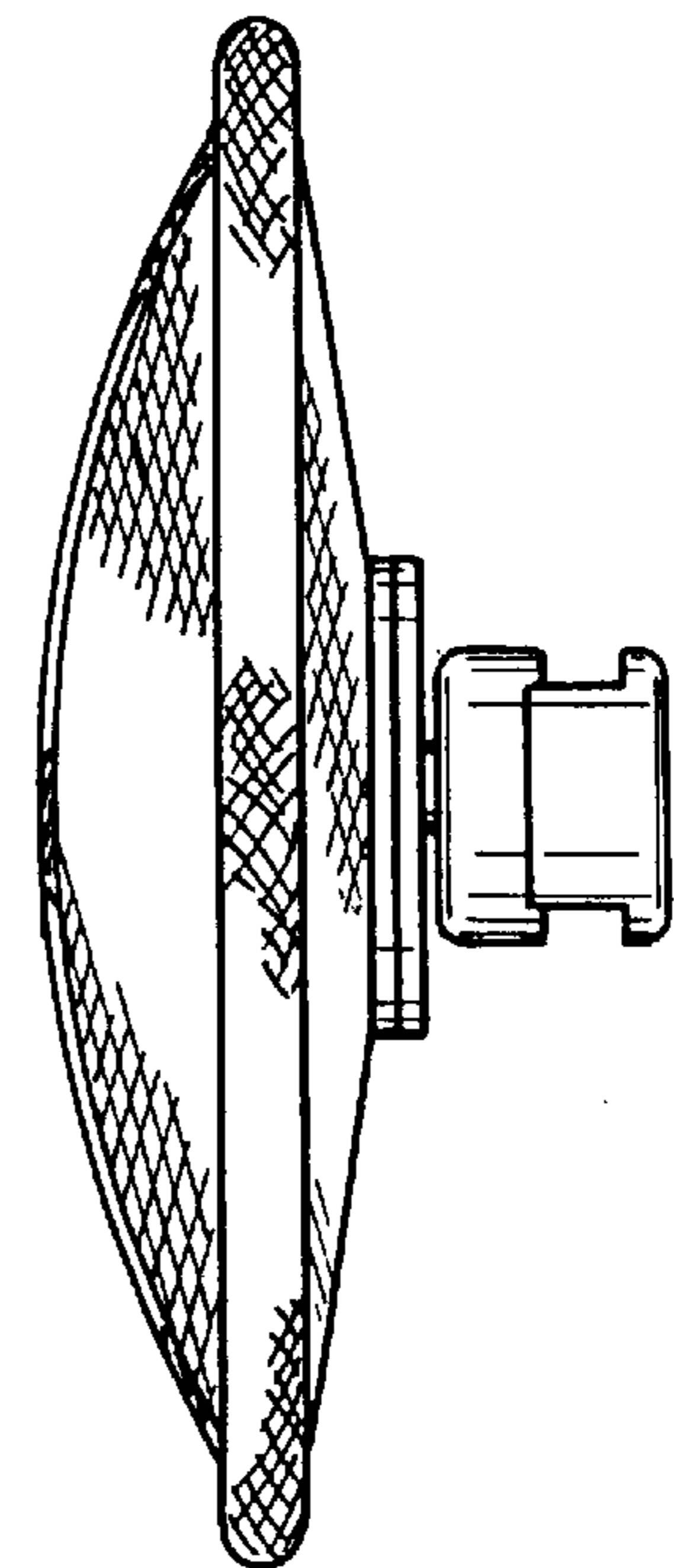


FIG. 3