



US00D455897S

(12) **United States Design Patent**
Jones

(10) **Patent No.:** **US D455,897 S**

(45) **Date of Patent:** **** Apr. 23, 2002**

(54) **SCOOTER BAG**

Primary Examiner—Lucy Lieberman

(76) Inventor: **Josephine Jones**, 369 Glorietta Pl.,
Coronado, CA (US) 92118

(**) Term: **14 Years**

(57) **CLAIM**

The ornamental design for a scooter bag, as shown and described.

(21) Appl. No.: **29/137,424**

(22) Filed: **Feb. 20, 2001**

DESCRIPTION

(51) **LOC (7) Cl.** **03-01**

(52) **U.S. Cl.** **D3/217; D3/221; D3/261**

(58) **Field of Search** **D3/216, 217, 221,**
D3/301, 254, 261, 273, 276, 283–287, 224;
224/627, 153, 640, 651, 652, 250

FIG. 1 is a perspective view of the scooter bag of the present invention in its extended configuration;
FIG. 2 is a front view thereof;
FIG. 3 is a back view thereof;
FIG. 4 is a right side view thereof;
FIG. 5 is a left side view thereof;
FIG. 6 is a top view thereof;
FIG. 7 is a bottom view thereof;
FIG. 8 is a front view of the scooter bag of the present invention in its collapsed configuration;
FIG. 9 is a back view thereof;
FIG. 10 is a right side view thereof;
FIG. 11 is a left side view thereof;
FIG. 12 is a top view thereof; and,
FIG. 13 is a bottom view thereof.
FIGS. 8 through 13 in the drawings are shown on an enlarged scale.

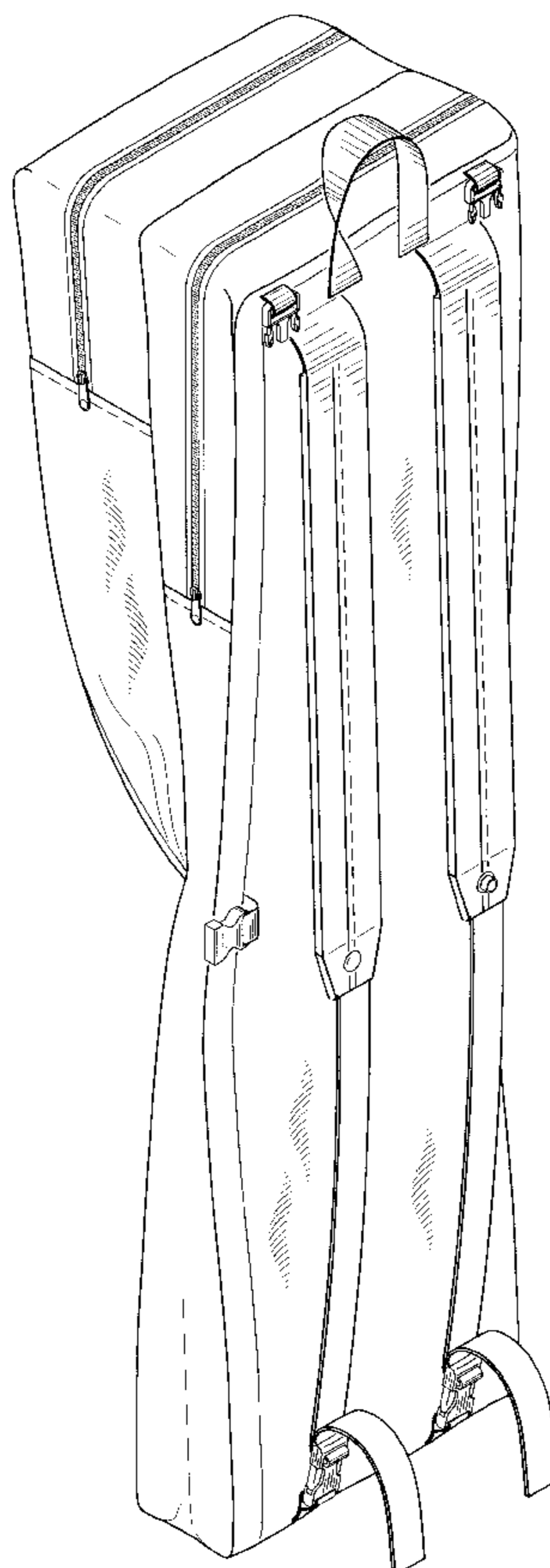
(56) **References Cited**

U.S. PATENT DOCUMENTS

D258,703 S	*	3/1981	Ogle et al.	D3/261
D315,825 S	*	4/1991	Hatton et al.	D3/217
5,092,506 A	*	3/1992	Boldus	
D336,988 S	*	7/1993	Wehrley	D3/285
5,492,254 A	*	2/1996	Challoner et al.	224/651
5,803,333 A	*	9/1998	Fawcett	224/652
5,819,998 A	*	10/1998	Chehebar	224/153
D400,353 S	*	11/1998	Callanan	D3/254
5,934,533 A	*	8/1999	Callanan	224/627
6,109,495 A	*	8/2000	Hernandez	224/652

* cited by examiner

1 Claim, 11 Drawing Sheets



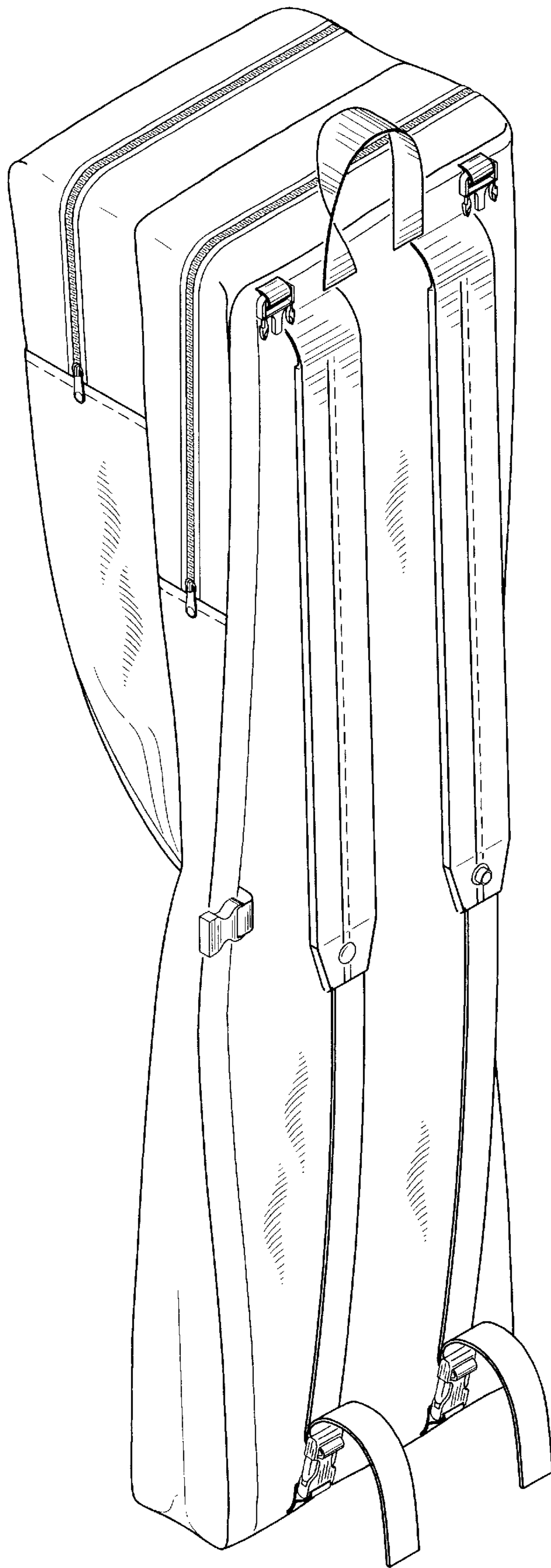


FIG. 1

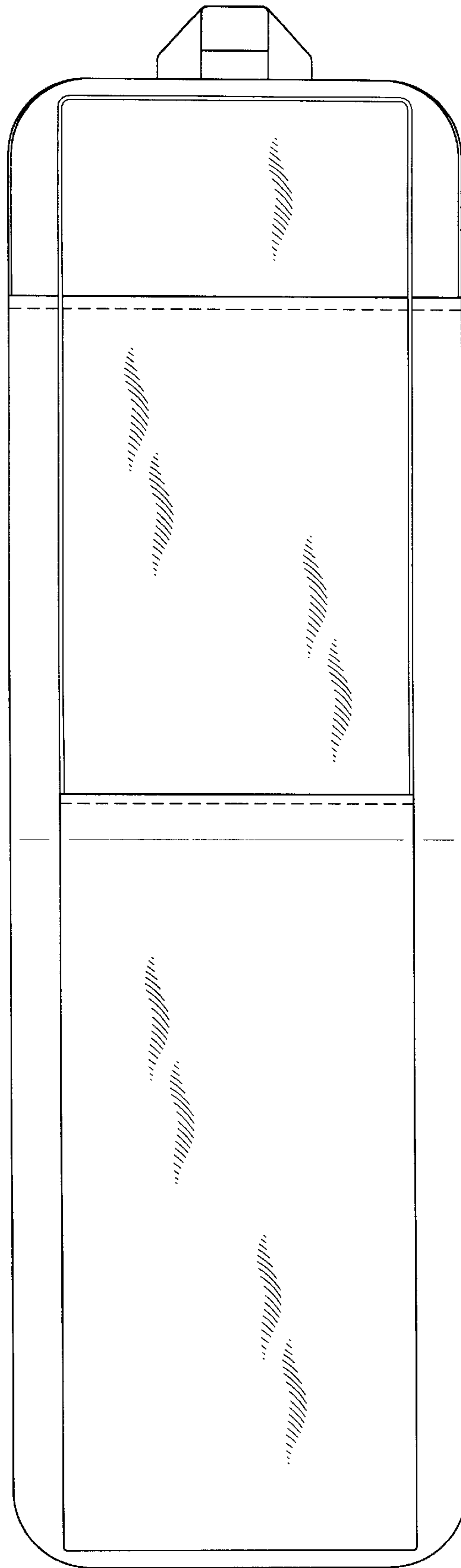


FIG. 2

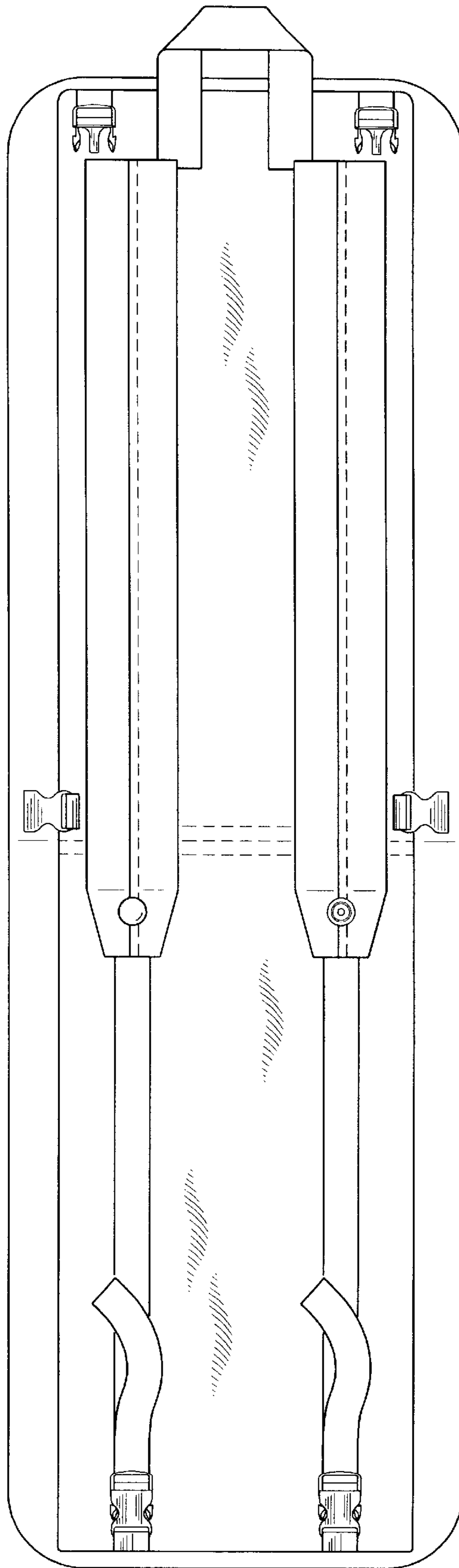


FIG. 3

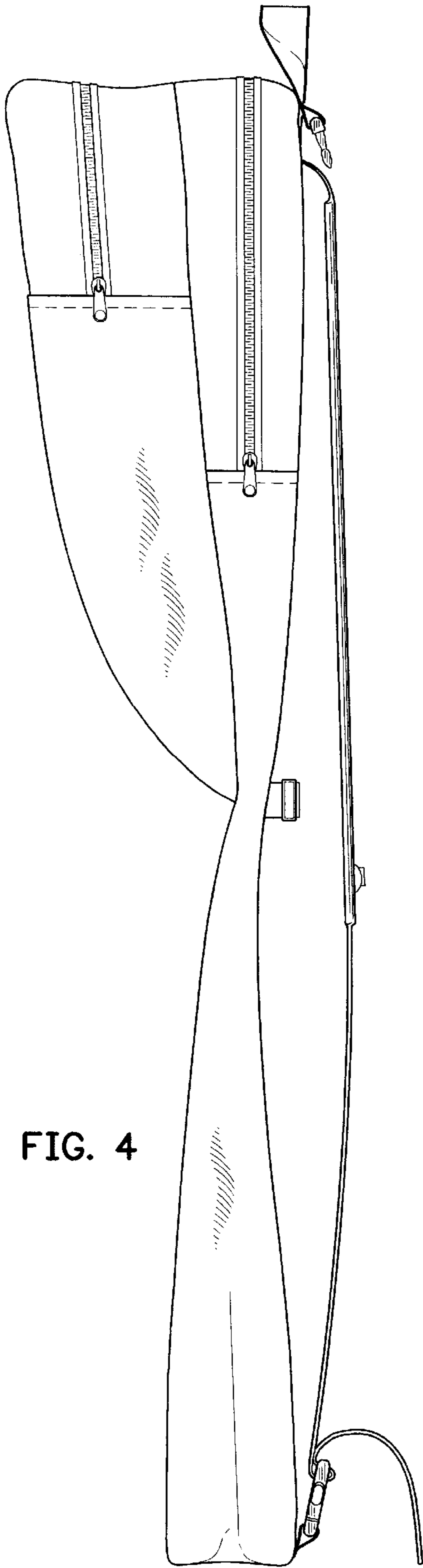


FIG. 4

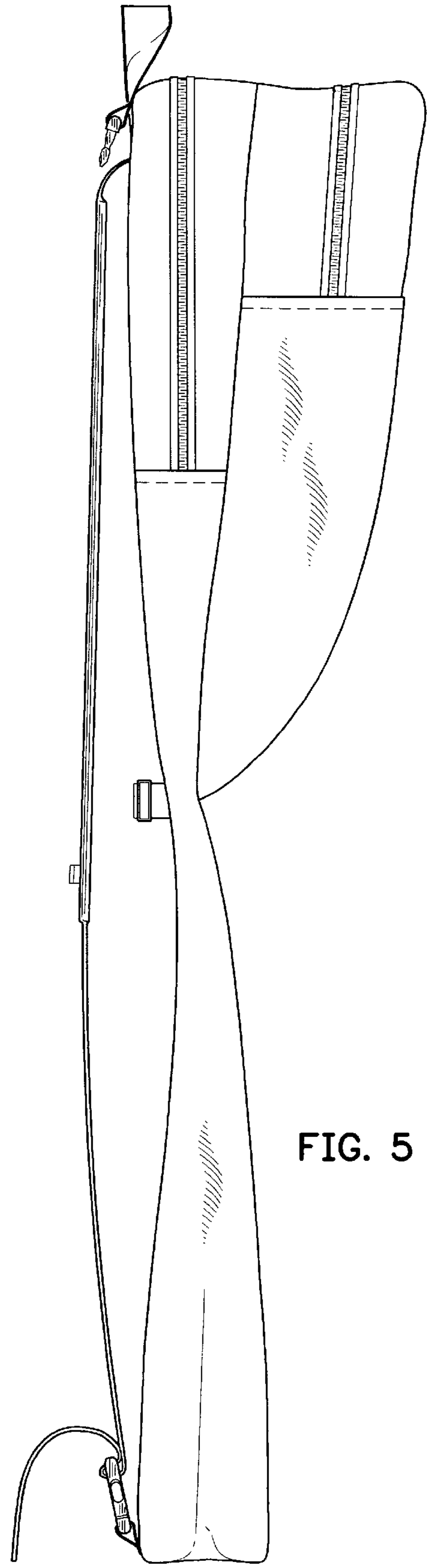


FIG. 5

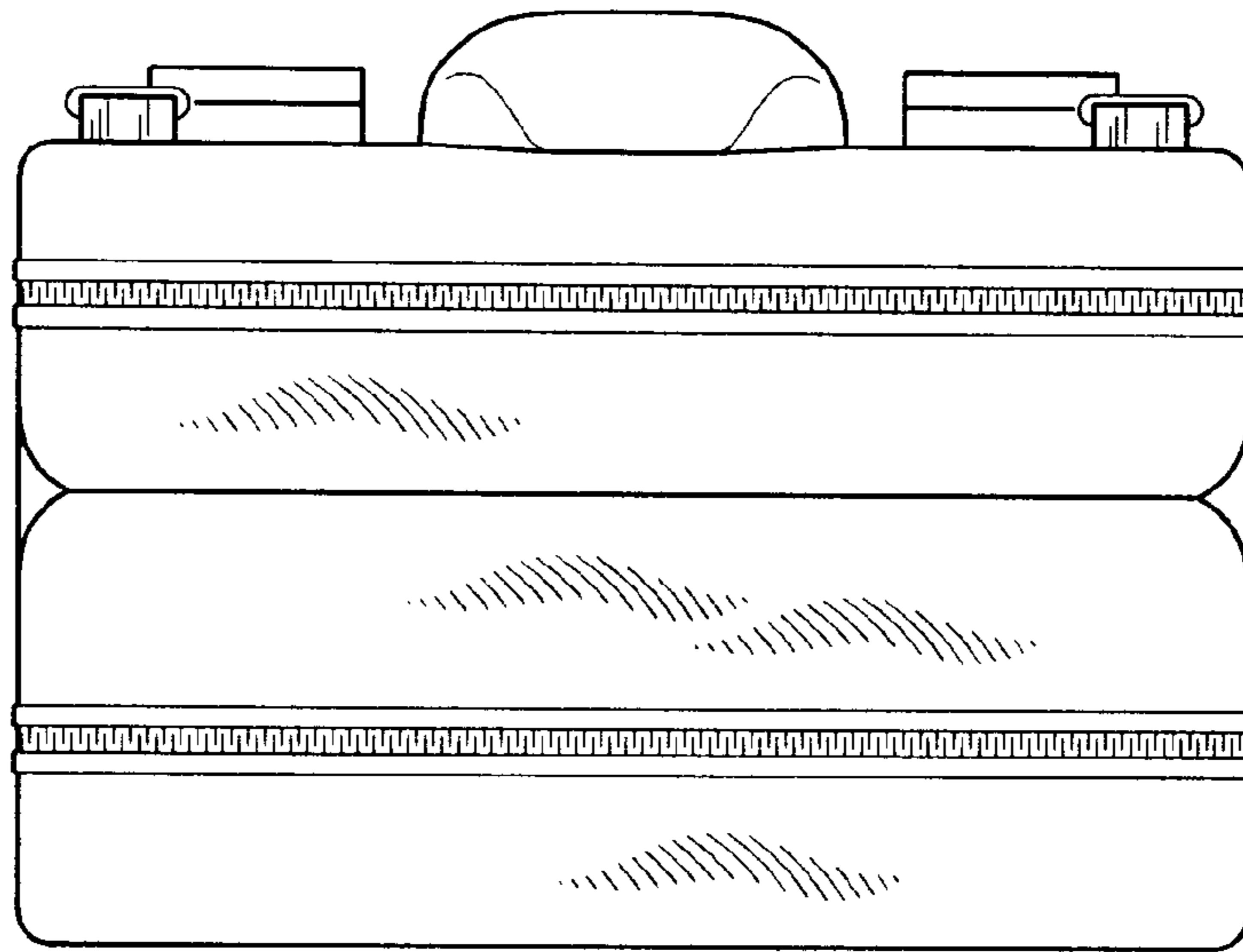


FIG. 6

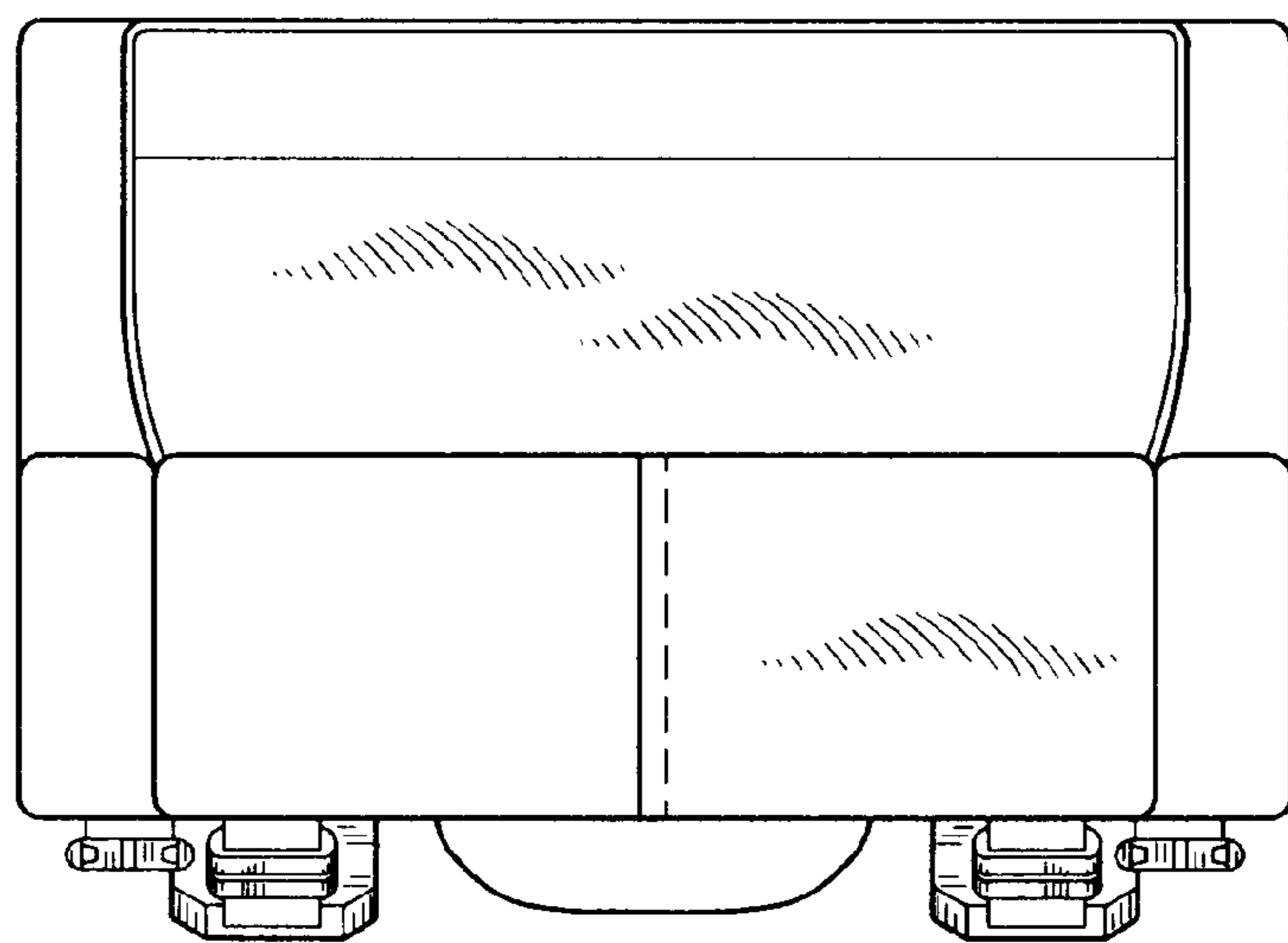


FIG. 7

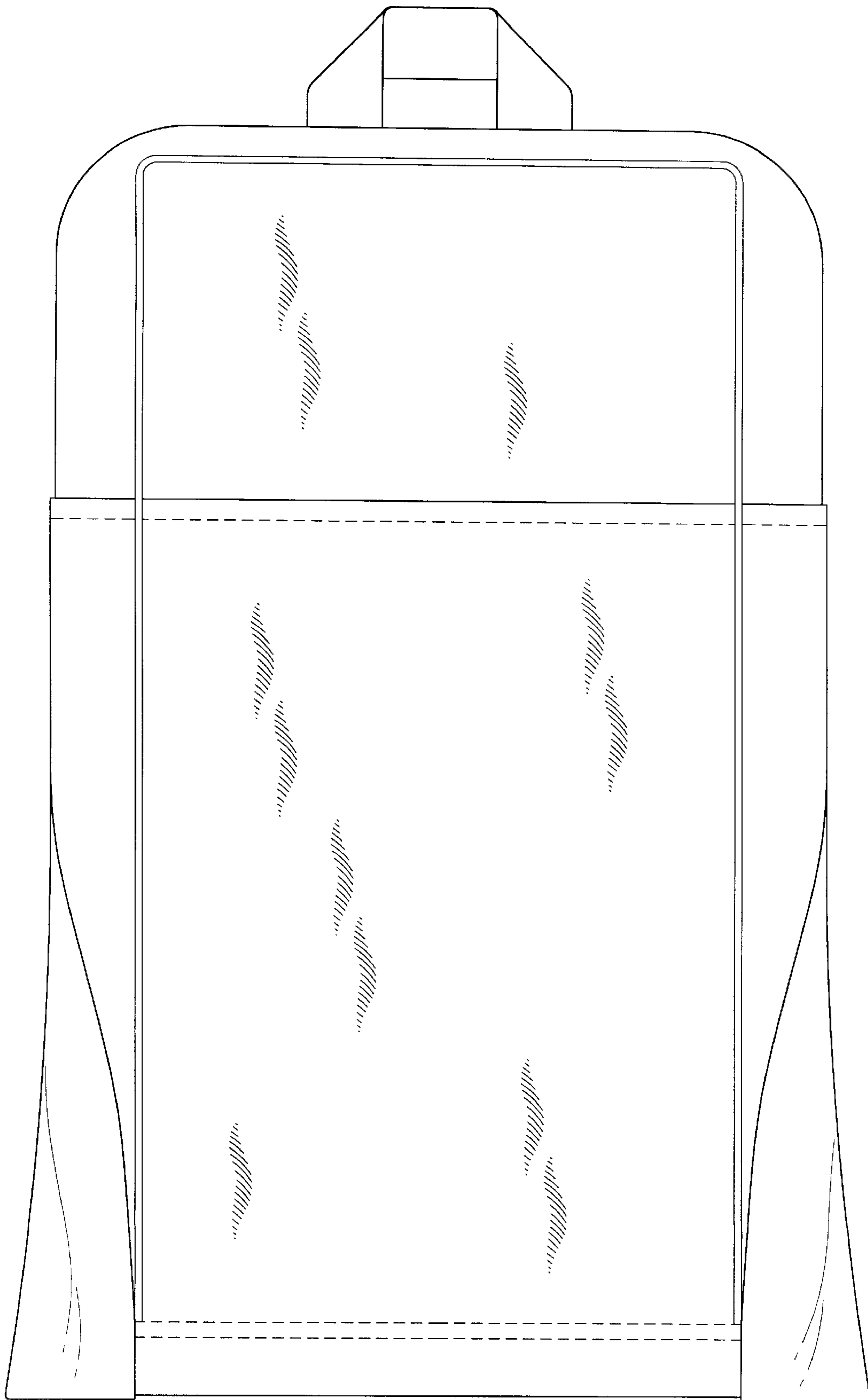


FIG. 8

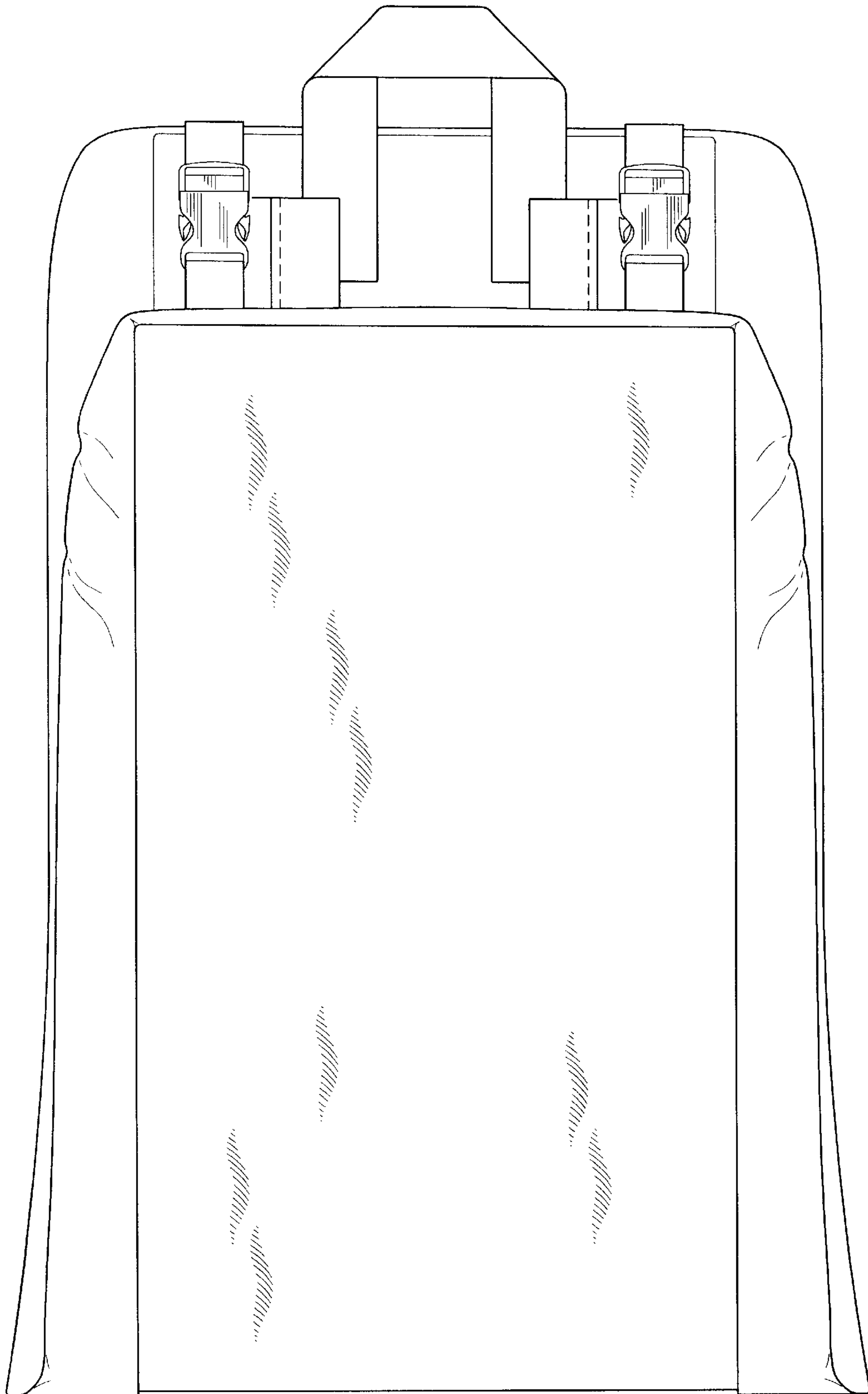


FIG. 9

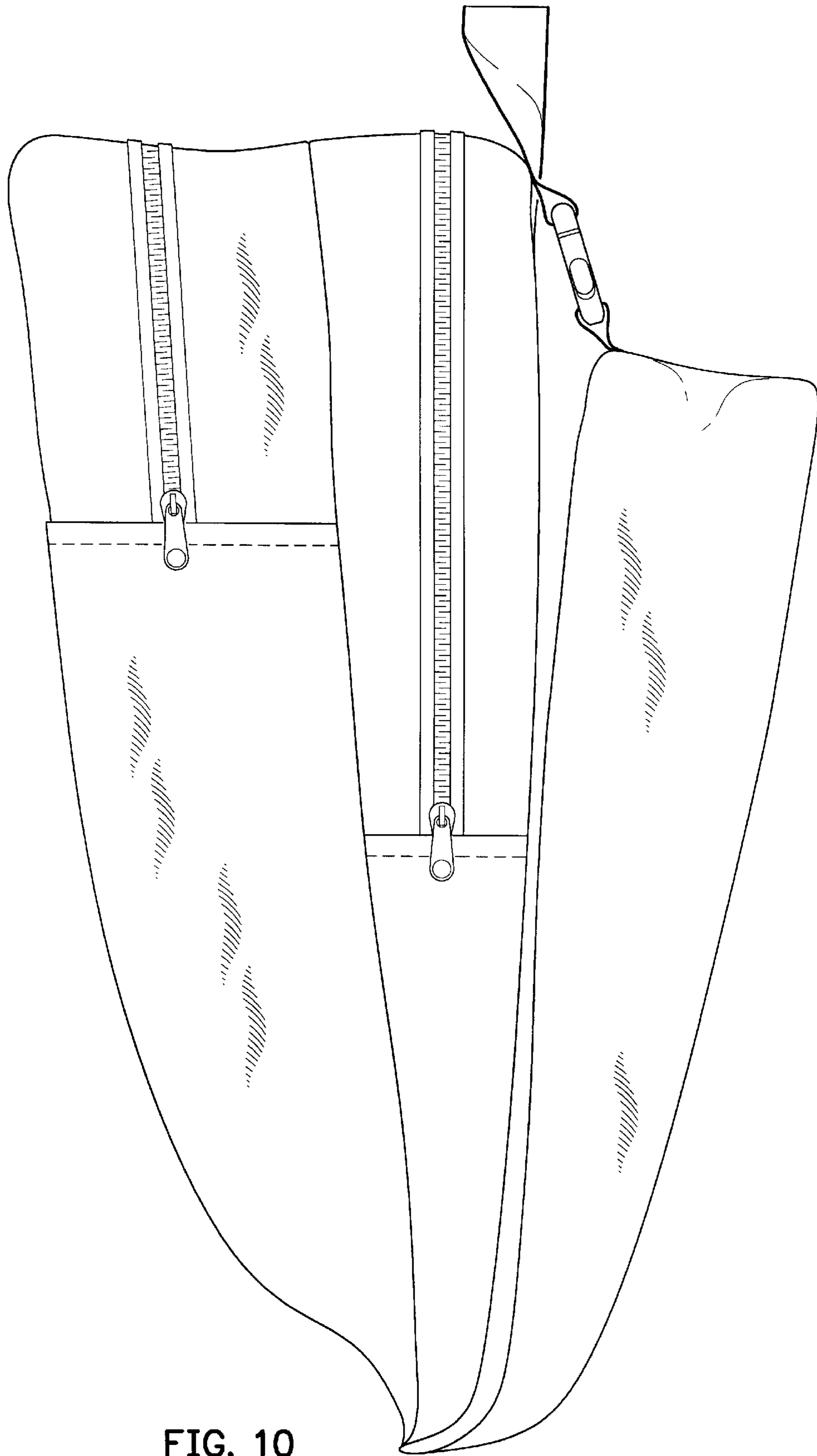


FIG. 10

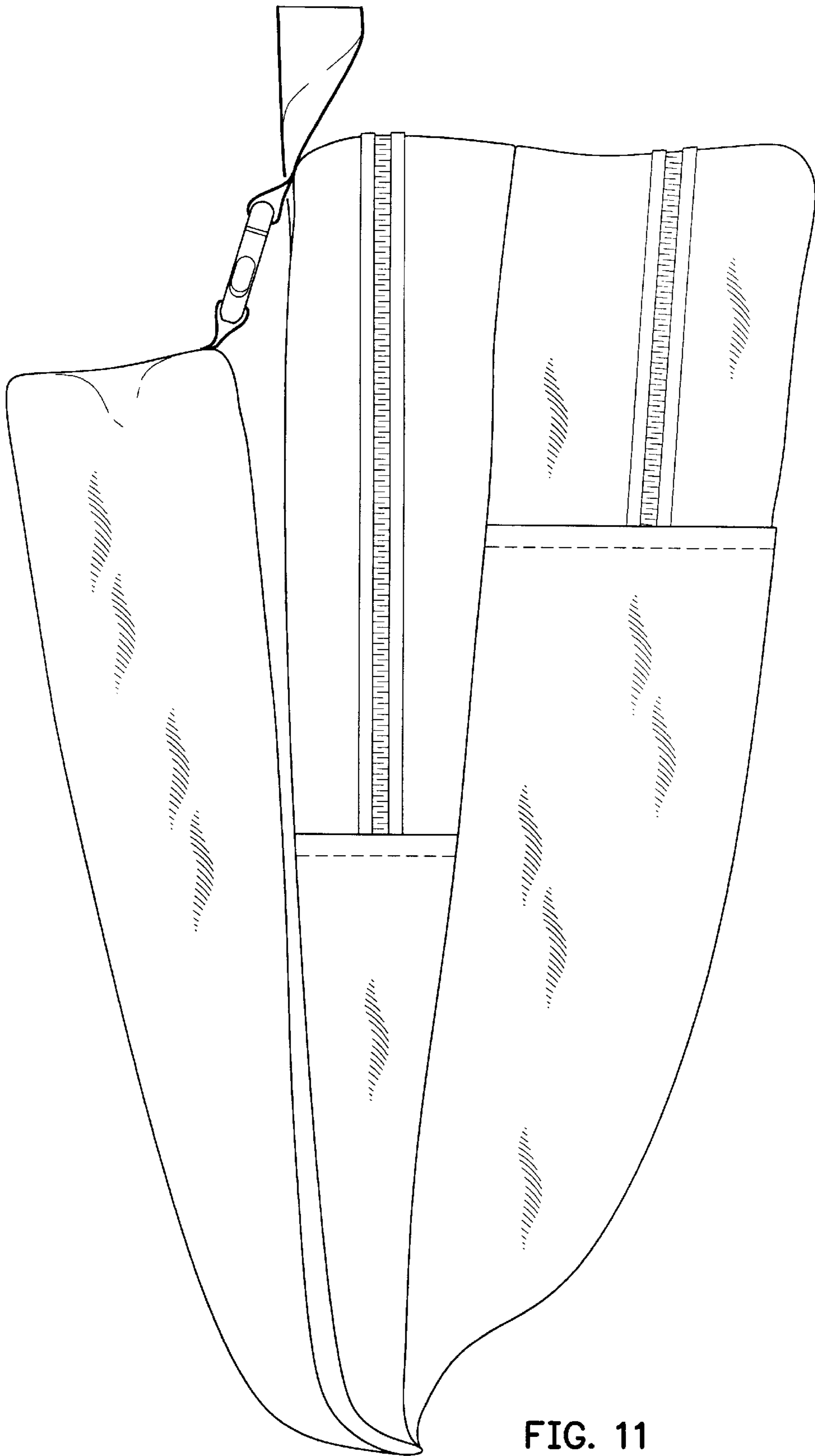


FIG. 11

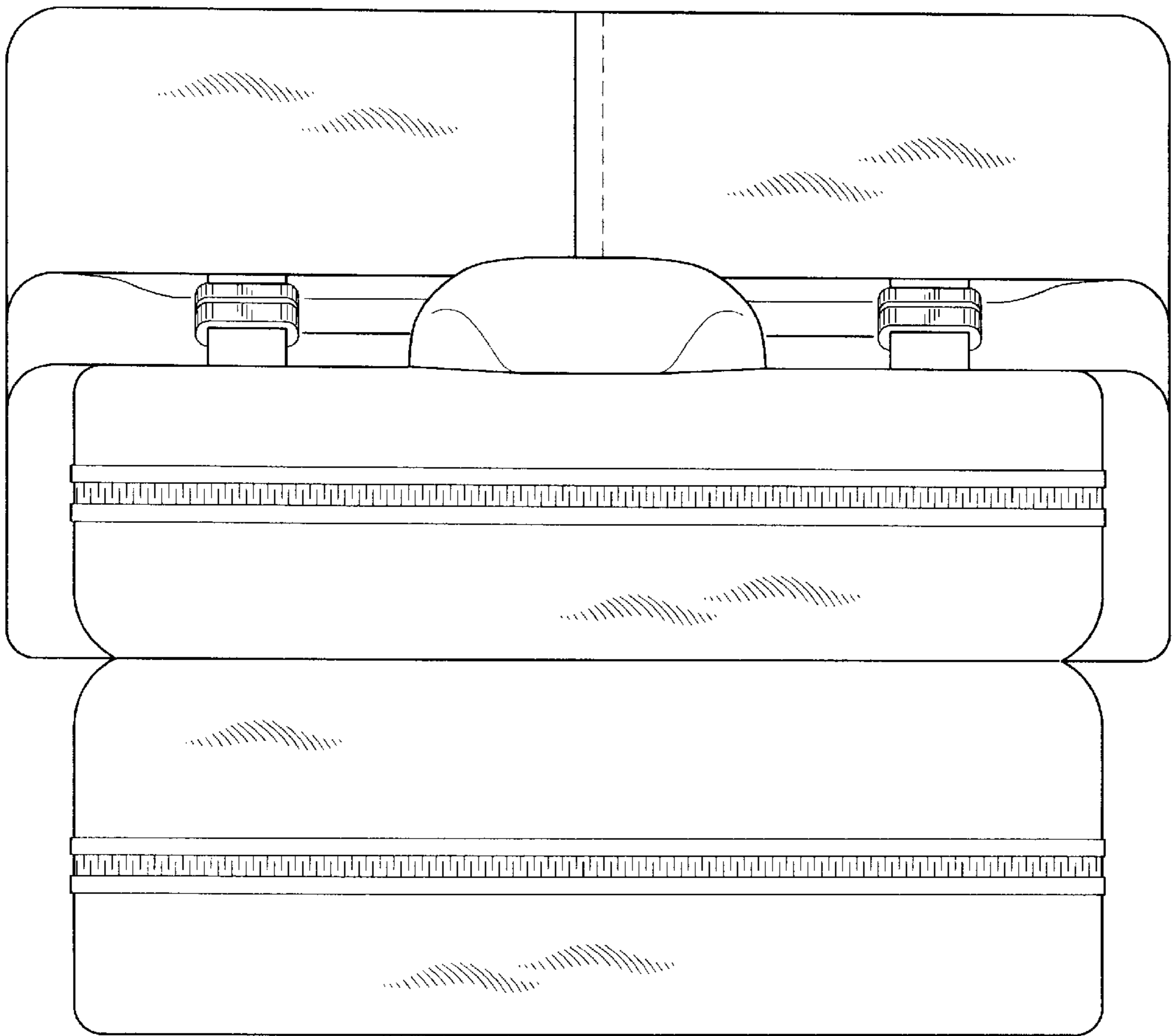


FIG. 12

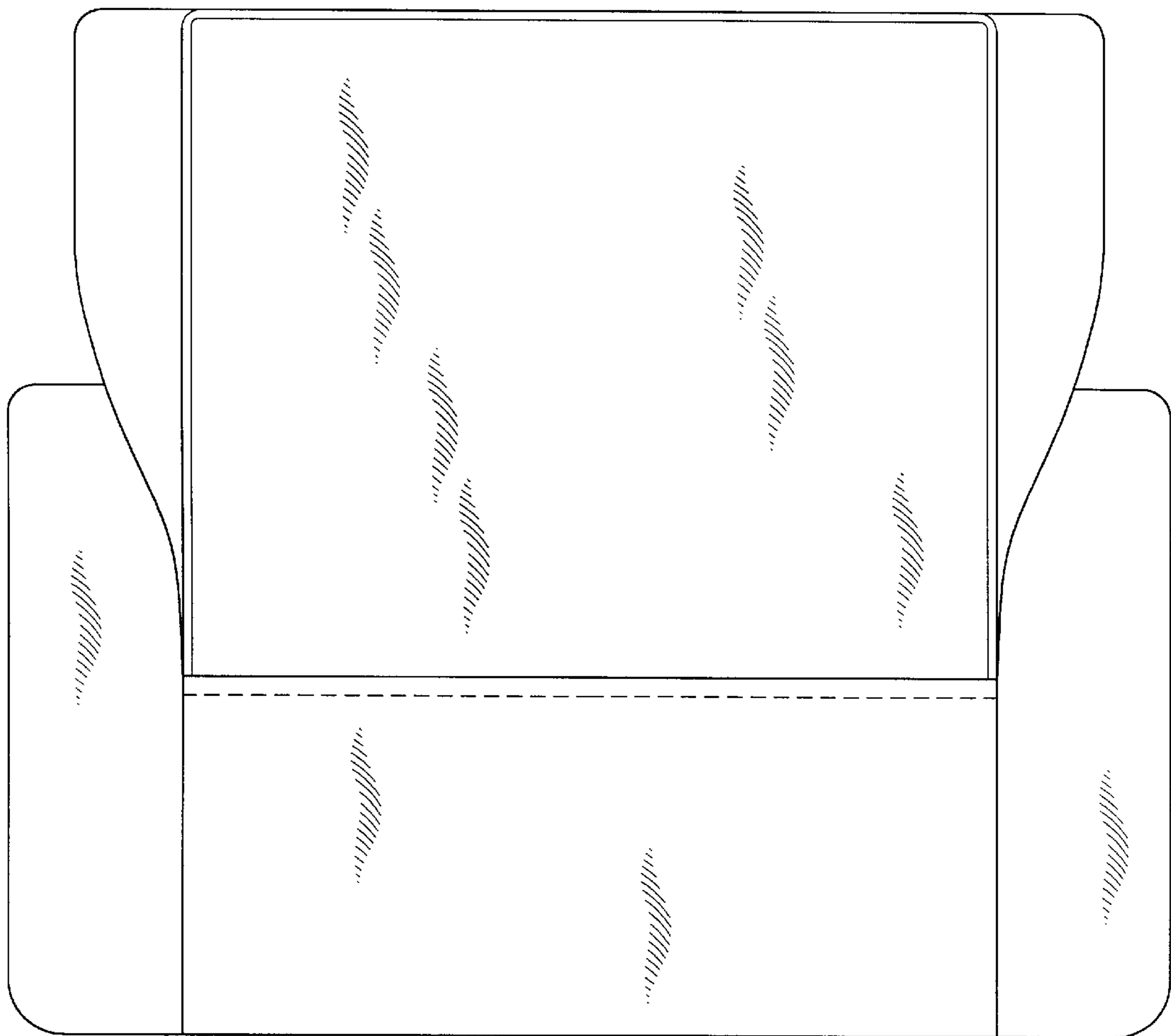


FIG. 13